



US00D644820S

(12) **United States Design Patent**  
**Dunson et al.**

(10) **Patent No.:** **US D644,820 S**

(45) **Date of Patent:** **\*\* Sep. 13, 2011**

(54) **SLEEPING BAG**

(75) Inventors: **Wendy K. Dunson**, Bel Air, KS (US);  
**Lisa A. Gronau**, Newton, KS (US); **Ivan Anderson Huber**, Cincinnati, OH (US);  
**Jason R. Phillips**, Cincinnati, OH (US)

(73) Assignee: **The Coleman Company, Inc.**, Wichita, KS (US)

(\*\*) Term: **14 Years**

(21) Appl. No.: **29/360,531**

(22) Filed: **Apr. 27, 2010**

(51) **LOC (9) Cl.** ..... **02-02**

(52) **U.S. Cl.** ..... **D2/719**

(58) **Field of Classification Search** ..... D2/718,  
D2/719, 823, 824; 2/69, 69.5, 75, 83; D6/603,  
D6/605; 5/413 R

See application file for complete search history.

(56) **References Cited**

U.S. PATENT DOCUMENTS

1,678,125	A *	7/1928	Petrescu	.....	5/413 R
3,334,363	A *	8/1967	Lutz	.....	5/413 R
3,639,931	A *	2/1972	McGuire	.....	5/413 R
5,152,017	A *	10/1992	Jaeger	.....	5/413 R
D401,736	S *	12/1998	Shaw	.....	D2/719
6,009,576	A *	1/2000	Gramme et al.	.....	5/413 R
6,901,614	B2 *	6/2005	Holub et al.	.....	5/413 R
D513,657	S *	1/2006	Jaskuloski	.....	D2/719
D623,379	S *	9/2010	Dunson et al.	.....	D2/719
2006/0230533	A1 *	10/2006	Liang	.....	5/413 R

\* cited by examiner

*Primary Examiner* — Ian Simmons

*Assistant Examiner* — Rashida Johnson

(74) *Attorney, Agent, or Firm* — Kelly S. Elsea

(57) **CLAIM**

The ornamental design for a sleeping bag, as shown and described.

**DESCRIPTION**

FIG. 1 is a front side perspective view of our sleeping bag, shown in the fully closed configuration;  
 FIG. 2 is a front elevational view thereof;  
 FIG. 3 is a rear elevational view thereof;  
 FIG. 4 is a left side elevational view thereof;  
 FIG. 5 is a right side elevational view thereof;  
 FIG. 6 is a top plan view thereof;  
 FIG. 7 is a bottom plan view thereof;  
 FIG. 8 is a front side perspective view of our sleeping bag, shown in the fully open configuration;  
 FIG. 9 is a front elevational view thereof;  
 FIG. 10 is a rear elevational view thereof;  
 FIG. 11 is a left side elevational view thereof;  
 FIG. 12 is a right side elevational view thereof;  
 FIG. 13 is a top plan view thereof; and,  
 FIG. 14 is a bottom plan view thereof.  
 The broken lines, shown throughout the views on the surface of the sleeping bag, represent stitching, which forms no part of the claimed design.

**1 Claim, 7 Drawing Sheets**

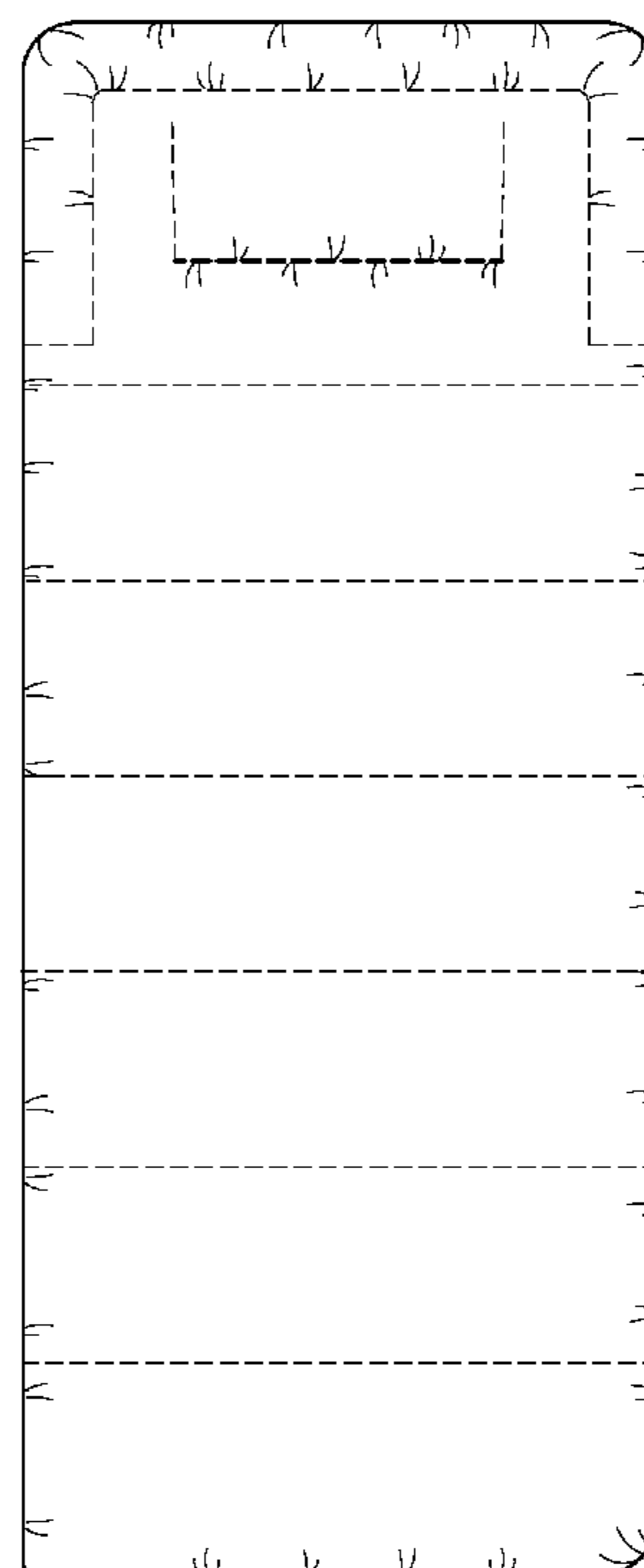
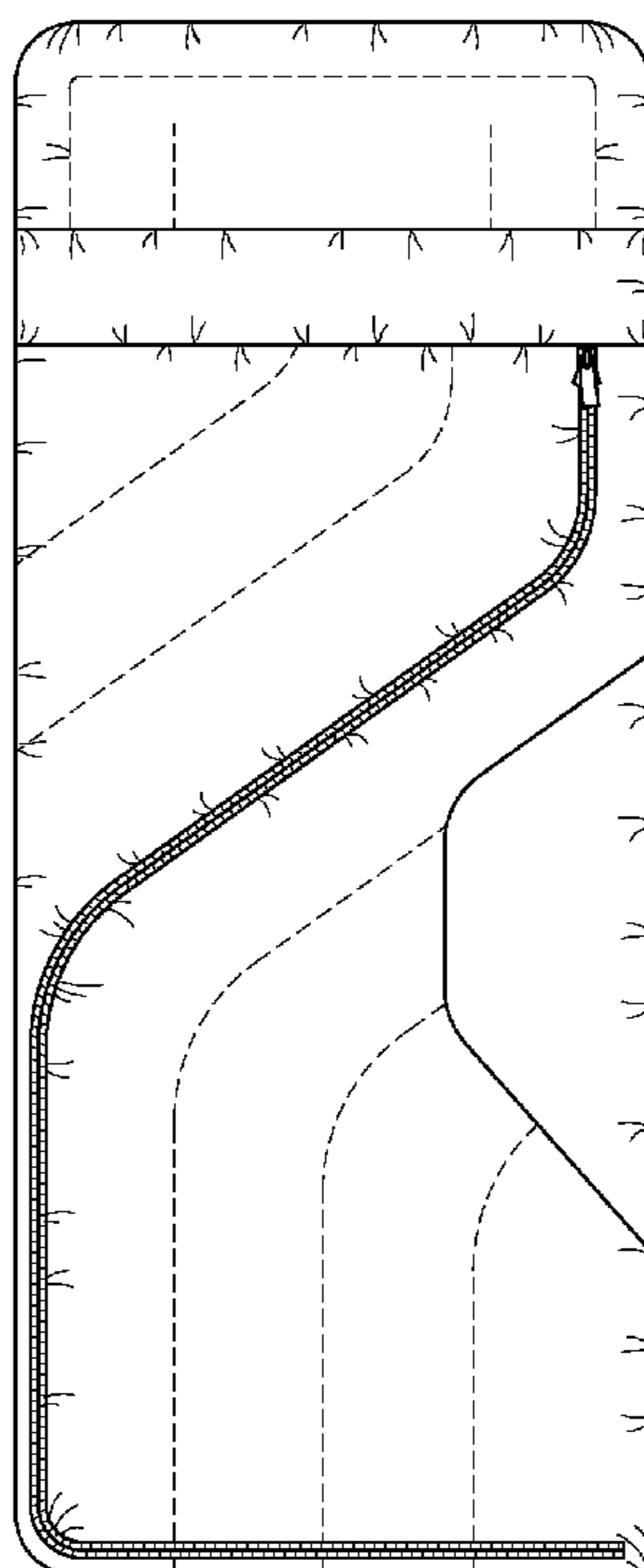


FIG. 1

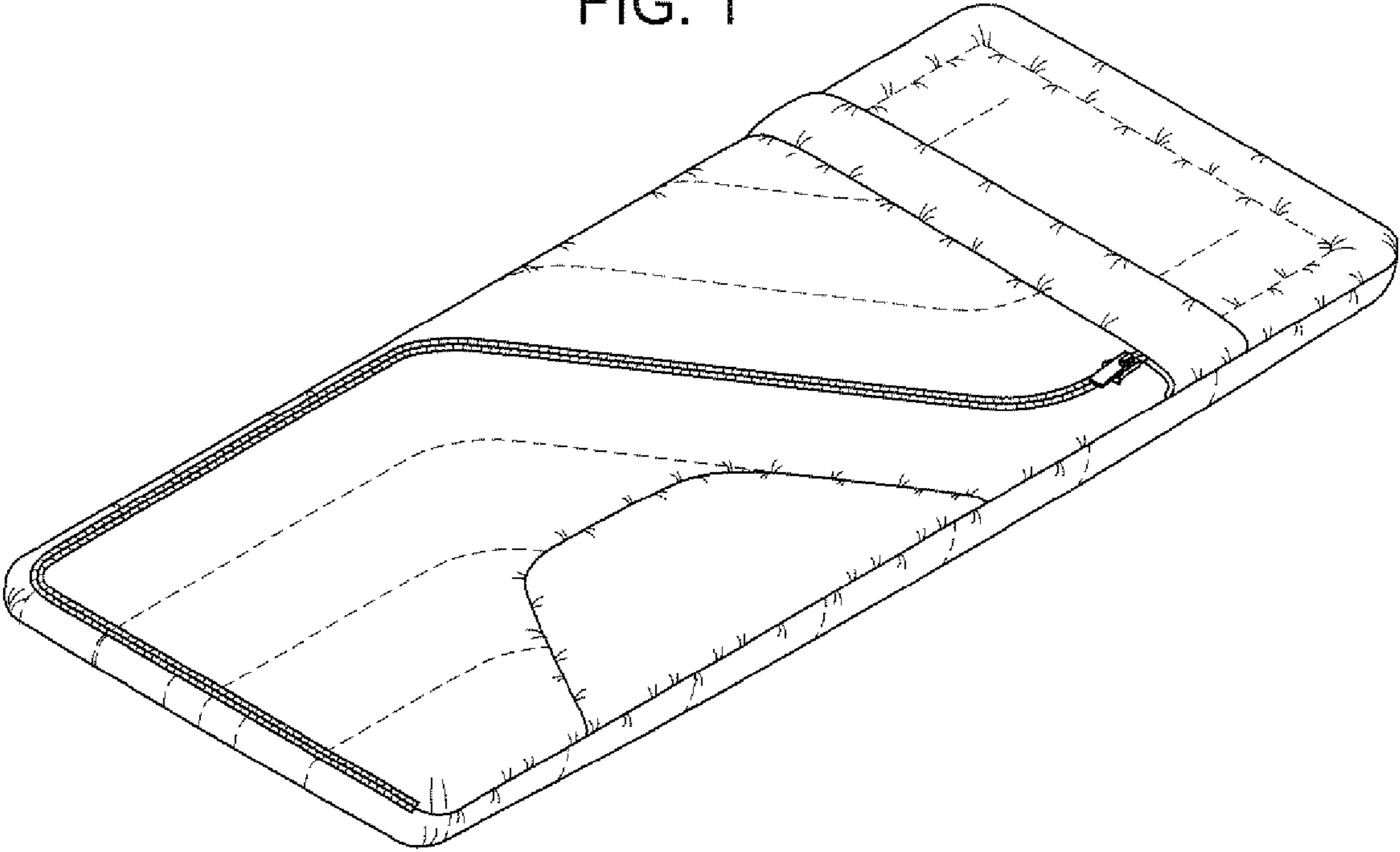


FIG. 2

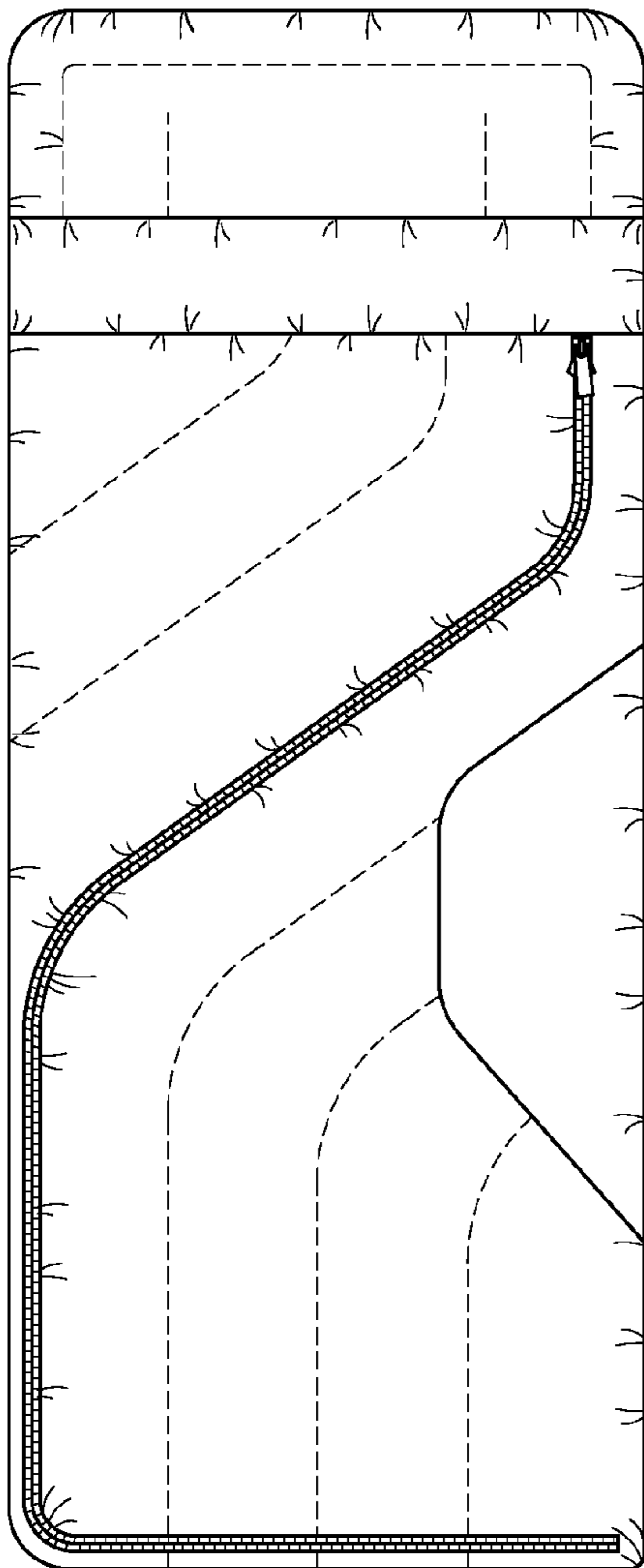


FIG. 3

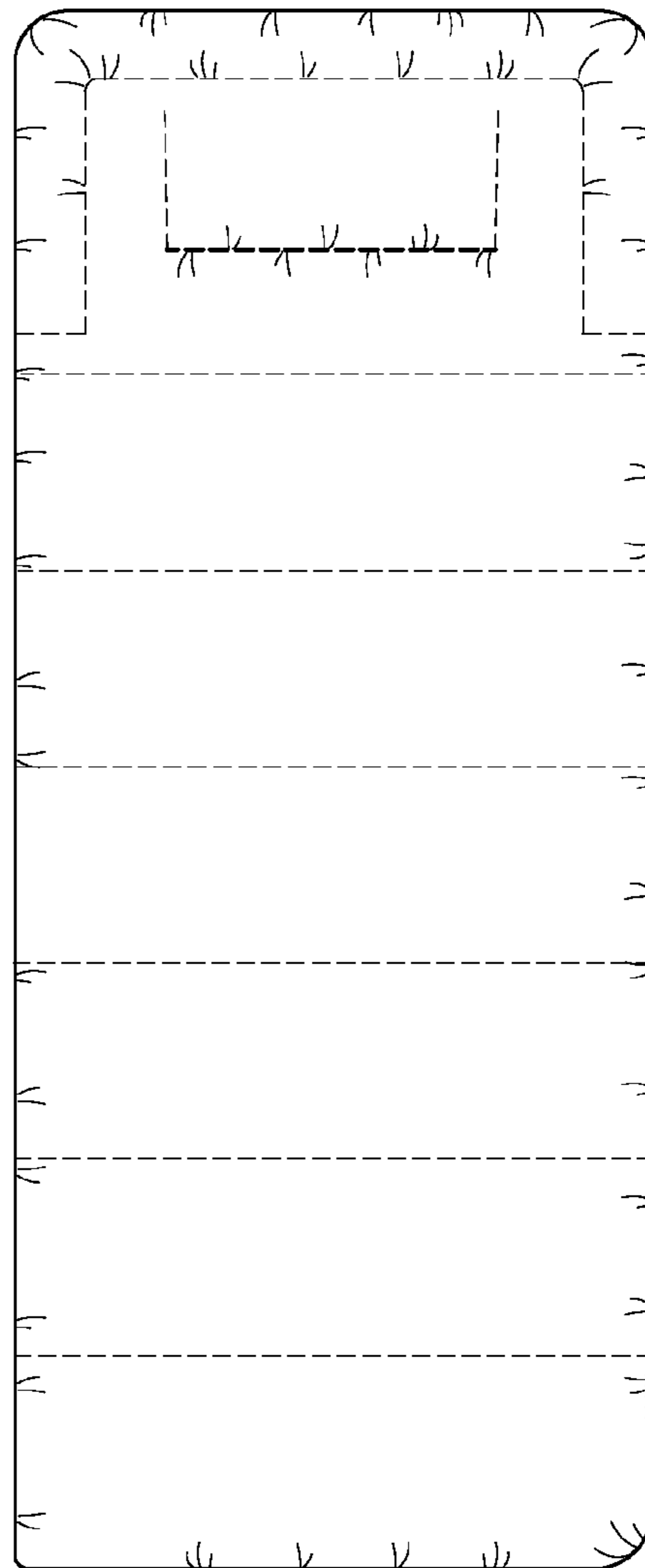


FIG. 4

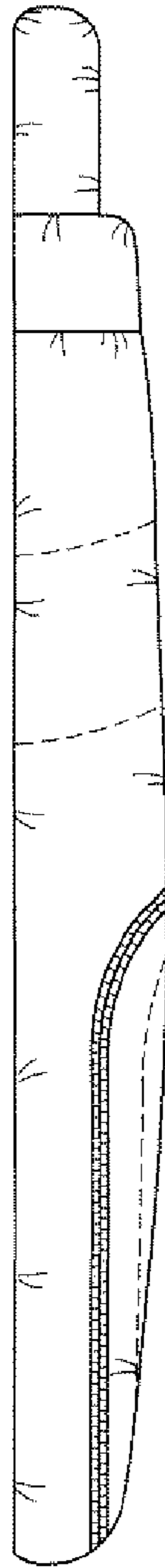


FIG. 5



FIG. 6

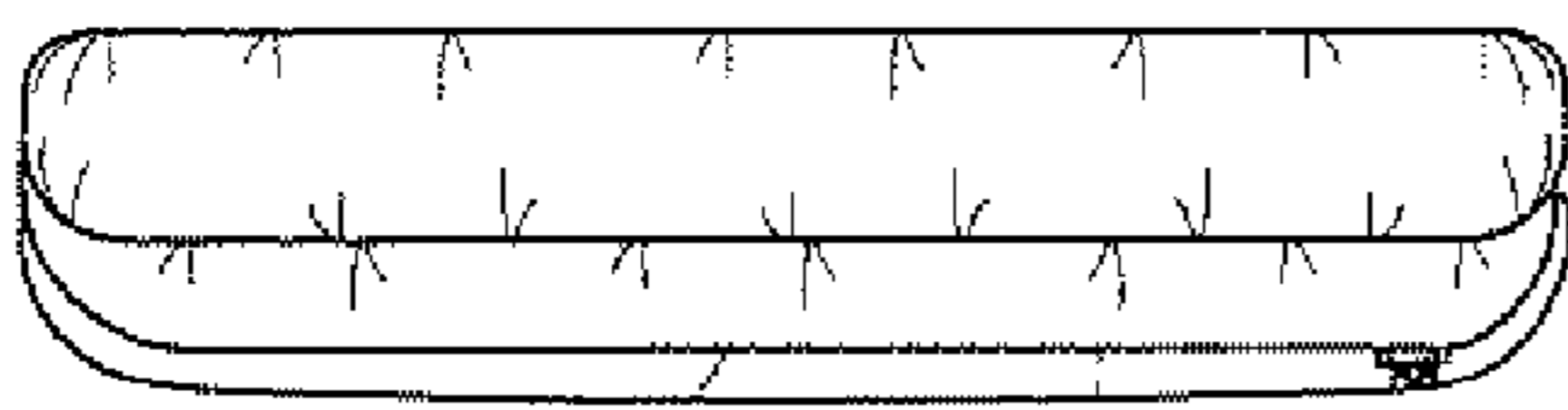


FIG. 7

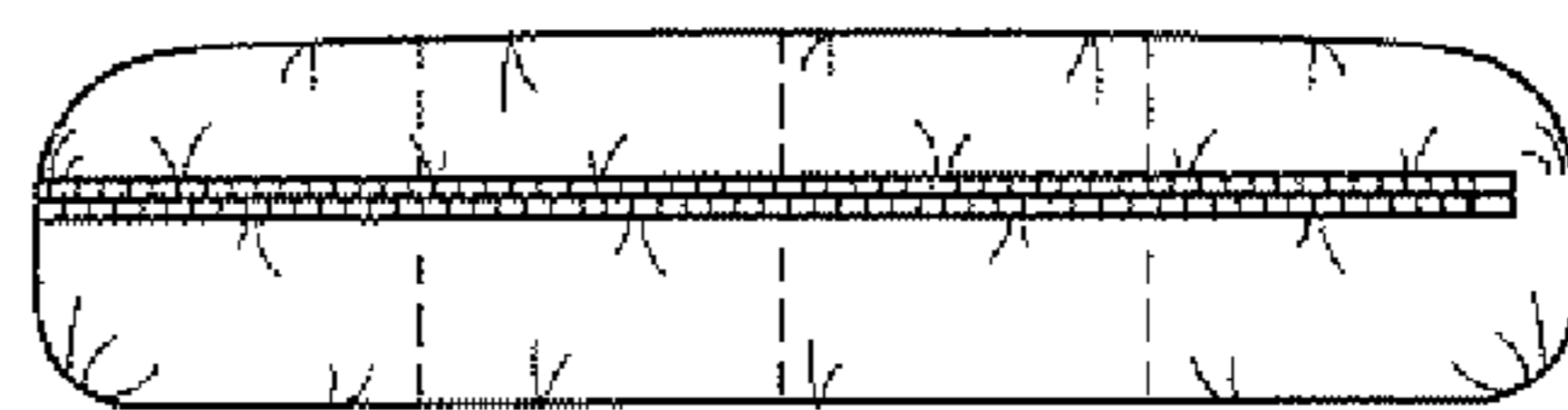
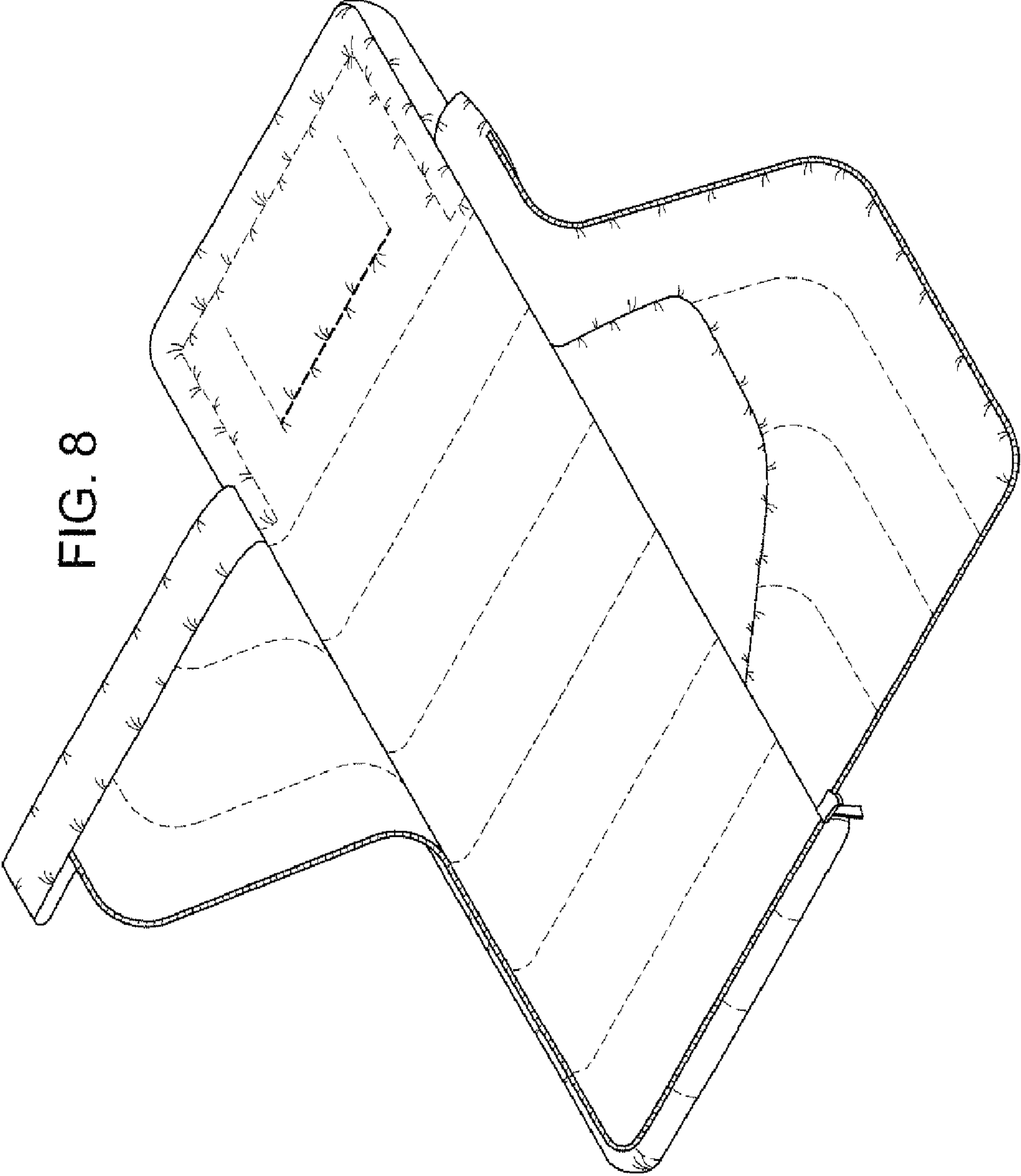


FIG. 8



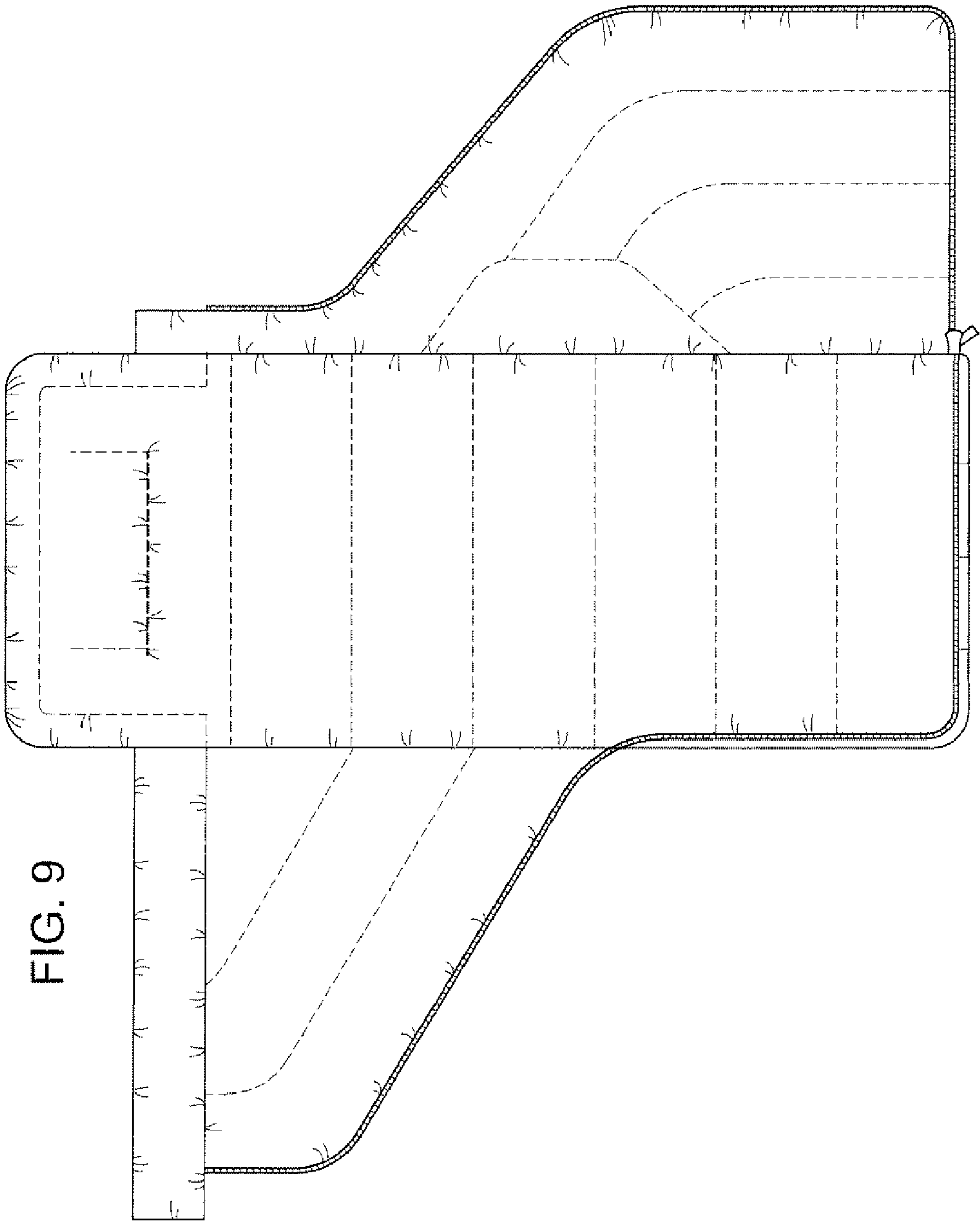


FIG. 9

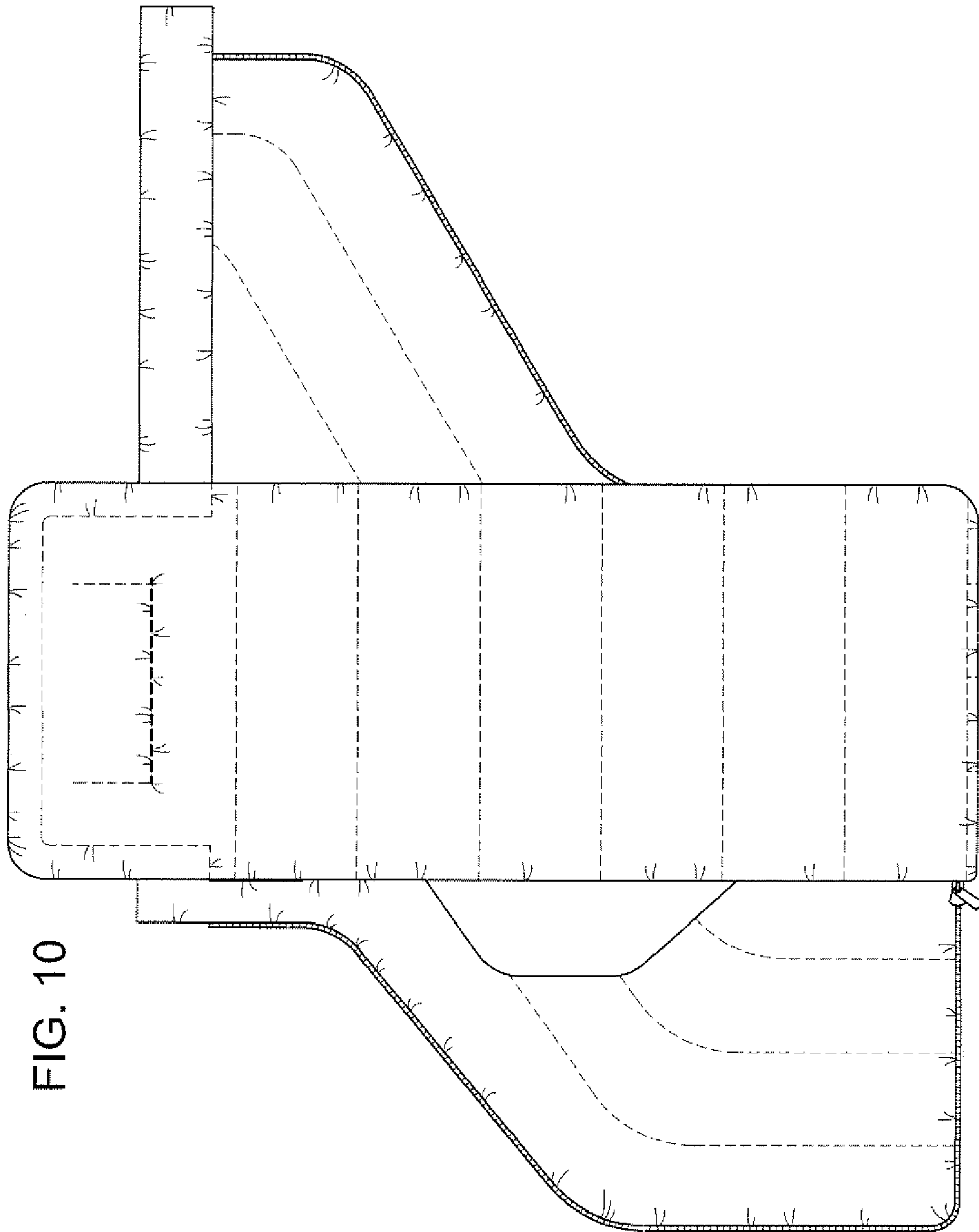


FIG. 10



FIG. 11

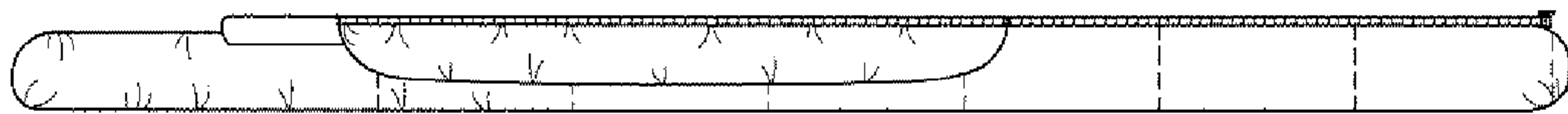


FIG. 12

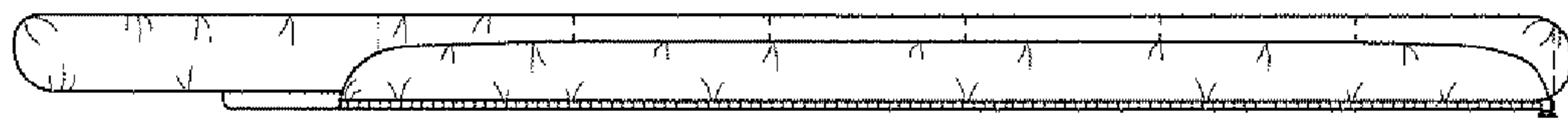


FIG. 13



FIG. 14

