



US00D644815S

(12) **United States Design Patent**
Helm et al.

(10) **Patent No.:** **US D644,815 S**
(45) **Date of Patent:** **** Sep. 6, 2011**

(54) **MONEY BOX**

(75) Inventors: **Thorsten Helm**, Sassenberg (DE);
Alexander Boehm, Oelde (DE)

(73) Assignee: **Wincor Nixdorf International GmbH**
(DE)

(**) Term: **14 Years**

(21) Appl. No.: **29/359,467**

(22) Filed: **Apr. 12, 2010**

(30) **Foreign Application Priority Data**

Oct. 13, 2009 (EM) 001623448

(51) **LOC (9) Cl.** **03-01**

(52) **U.S. Cl.** **D99/34**

(58) **Field of Classification Search** D99/28,
D99/34, 35, 36, 37, 43, 99; D18/3.1, 3.3,
D18/12, 12.1; 235/379, 381, 382; 194/206;
D14/900-902; 109/1 V, 2, 3, 6, 58, 64, 78,
109/79, 1 R

See application file for complete search history.

(56) **References Cited**

U.S. PATENT DOCUMENTS

746,205	A *	12/1903	Valentine	232/4 R
928,483	A *	7/1909	Wakeman	292/144
D54,763	S *	3/1920	Nutty	D99/37
2,194,669	A *	3/1940	Mumford	206/454
D183,094	S *	6/1958	Heath	D99/34
2,987,150	A *	6/1961	Szabo	16/405
3,433,185	A *	3/1969	Roberts	109/55
D247,728	S *	4/1978	Nichols	D6/559
D258,394	S *	2/1981	Flanigan et al.	D99/34
D273,908	S *	5/1984	Hoogeveen	D99/28
D274,858	S *	7/1984	Brush et al.	D99/28
4,474,116	A *	10/1984	Castenada et al.	109/51
D281,368	S *	11/1985	Catelli	D99/35
D289,582	S *	5/1987	Brush et al.	D3/281
D291,139	S *	7/1987	Warwicker	D99/28
D328,399	S *	8/1992	McGrory et al.	D6/448

5,377,514	A *	1/1995	Robbins et al.	70/452
D376,246	S *	12/1996	Sugawara et al.	D99/28
D393,526	S *	4/1998	Robey et al.	D99/28
D399,632	S *	10/1998	Davis et al.	D99/28
6,006,558	A *	12/1999	Peters	70/63
6,085,671	A *	7/2000	Kerr et al.	109/51
D460,104	S *	7/2002	Wada	D18/12.1
D474,596	S *	5/2003	Osiecki et al.	D3/273
D516,768	S *	3/2006	Walker	D99/28
D516,769	S *	3/2006	Walker	D99/28
D517,770	S *	3/2006	Walker	D99/28
D541,045	S *	4/2007	Peart et al.	D3/291
D542,529	S *	5/2007	Peart et al.	D3/276
D558,977	S *	1/2008	Peart et al.	D3/294

(Continued)

Primary Examiner — Stella Reid

Assistant Examiner — Elizabeth J Oswecki

(74) *Attorney, Agent, or Firm* — Harness, Dickey & Pierce,
P.L.C.

(57) **CLAIM**

The ornamental design for a money box, as shown and described.

DESCRIPTION

FIG. 1 is a perspective view of a money box embodying our new design;

FIG. 2 is a top view thereof;

FIG. 3 is a left side view thereof;

FIG. 4 is a right side view thereof;

FIG. 5 is a front view thereof;

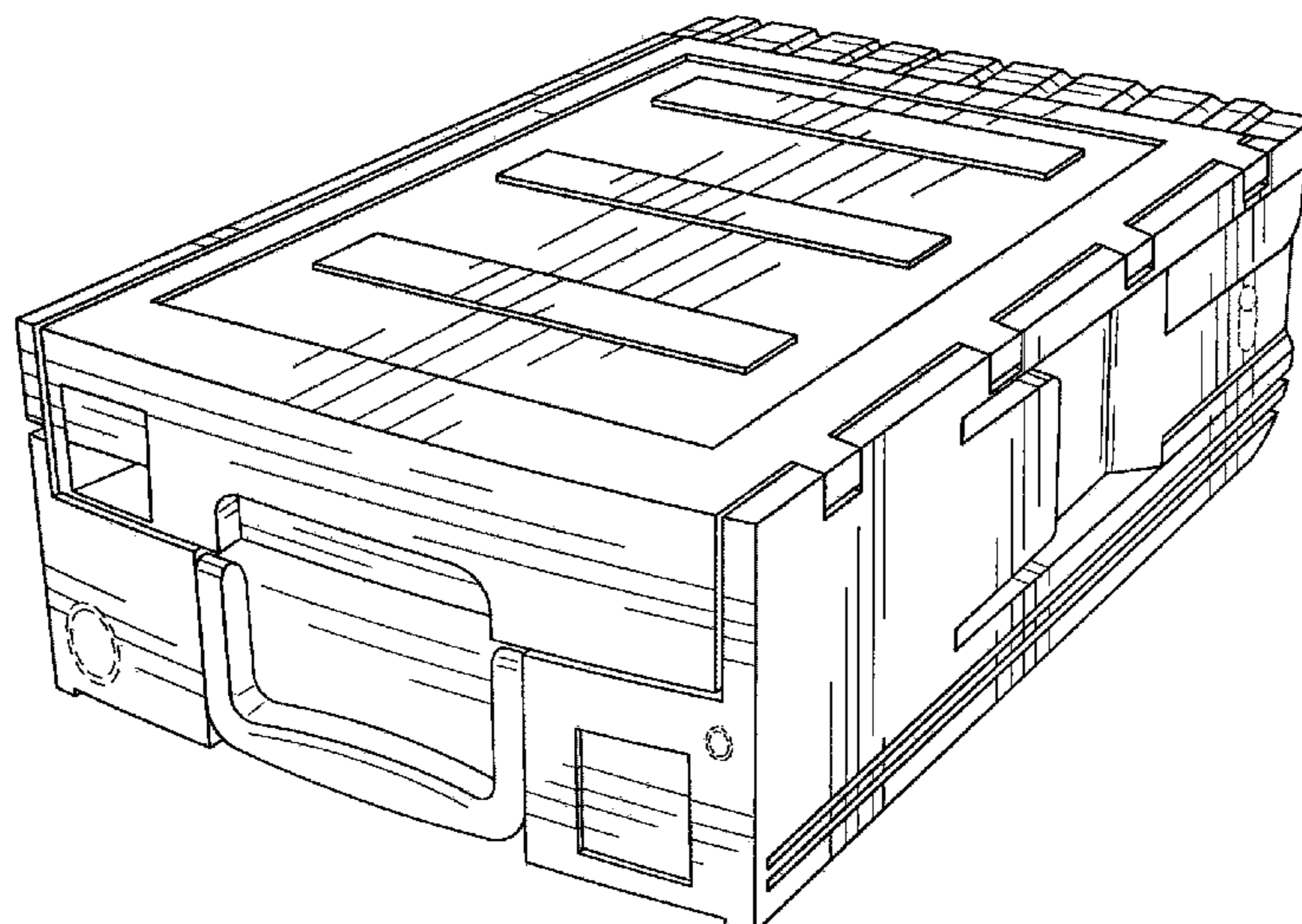
FIG. 6 is a rear view thereof;

FIG. 7 is a bottom view thereof;

FIG. 8 is a perspective view of a second embodiment of a money box showing our new design, this embodiment being identical to FIGS. 1-7 with the exception of the handle that swivels near the rear surface; and,

FIG. 9 is a perspective view illustrating two of the money boxes of FIG. 8 shown attached together in a used condition. In the drawings, the broken lines in FIGS. 1-4 and FIGS. 6-9 depict portions of the design that form no part of the claim.

1 Claim, 6 Drawing Sheets



US D644,815 S

Page 2

U.S. PATENT DOCUMENTS

D560,875 S *	1/2008	Decarlo et al.	D99/28	D592,239 S *	5/2009	Gerlier	D18/3.3
D561,994 S *	2/2008	Peart et al.	D3/291	D609,739 S *	2/2010	Nunn	D18/3.3
D571,524 S *	6/2008	Kang et al.	D99/28	D617,370 S *	6/2010	Gerlier et al.	D18/3.3
D572,425 S *	7/2008	Themistos	D99/28	D624,275 S *	9/2010	Min	D99/28
D579,174 S *	10/2008	Decarlo et al.	D99/28	2001/0034202 A1 *	10/2001	Nottingham et al.	453/3
D579,625 S *	10/2008	Kang et al.	D99/28	2006/0108252 A1 *	5/2006	Lax	206/470

* cited by examiner

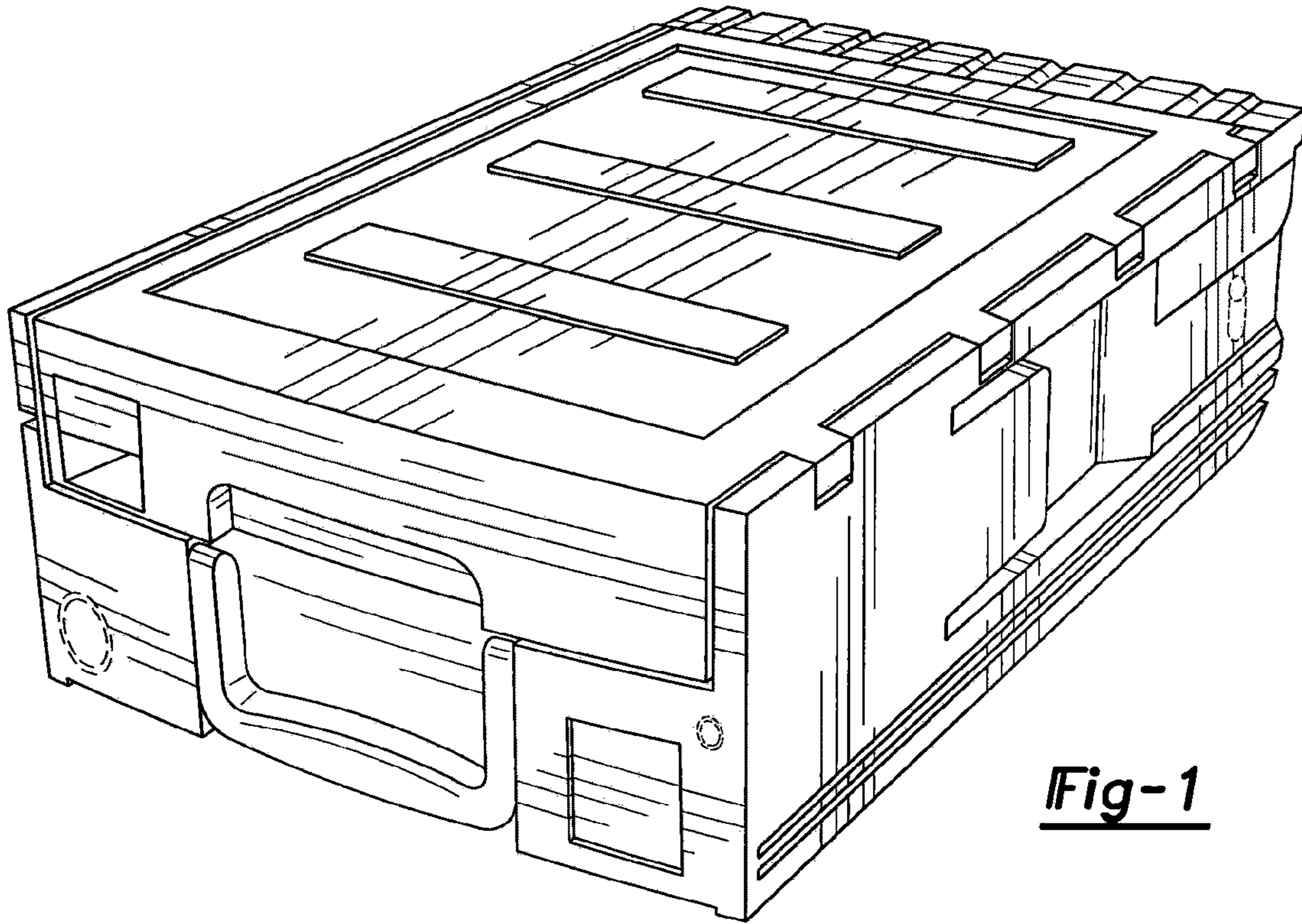


Fig-1

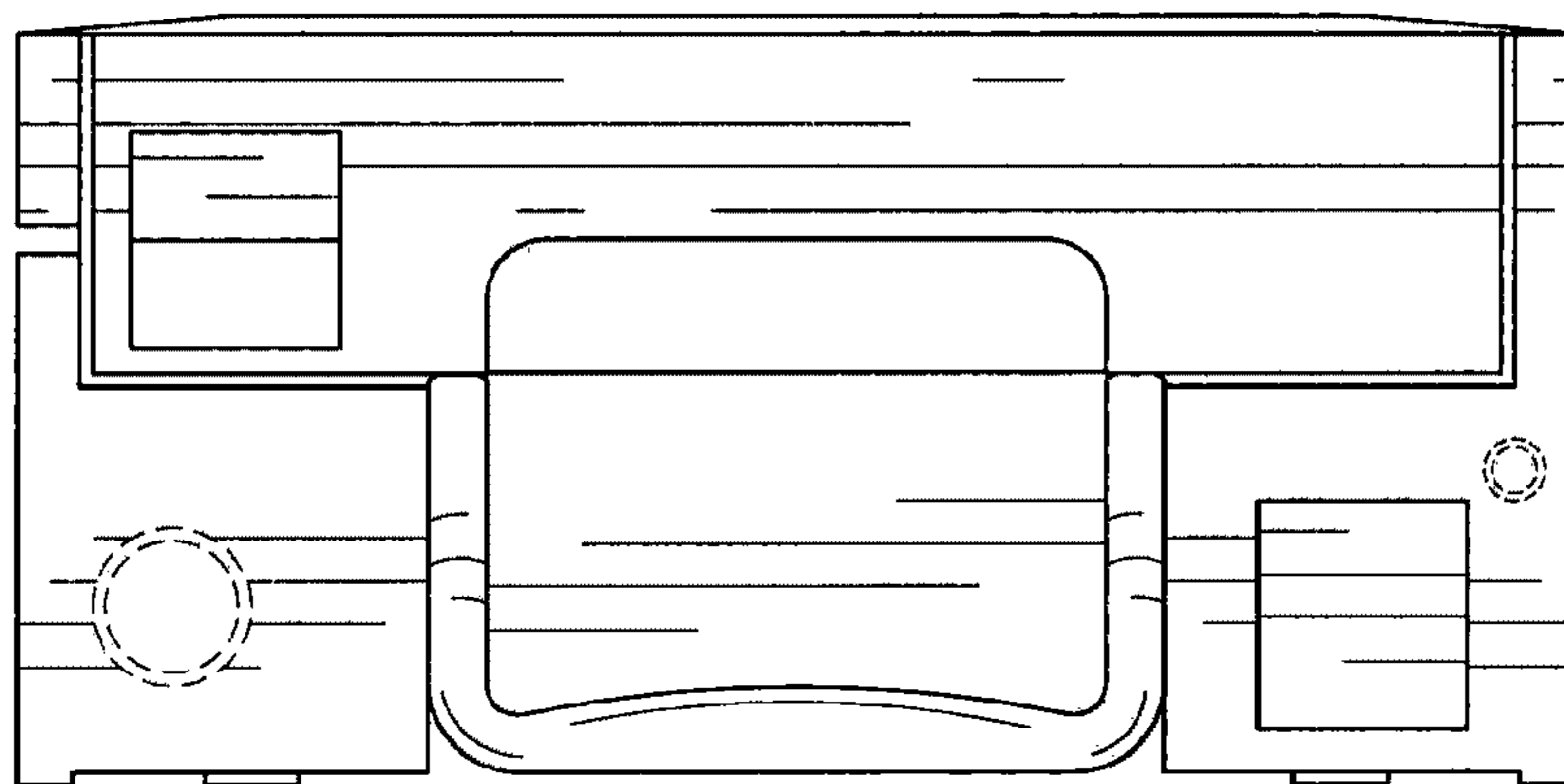


Fig-2

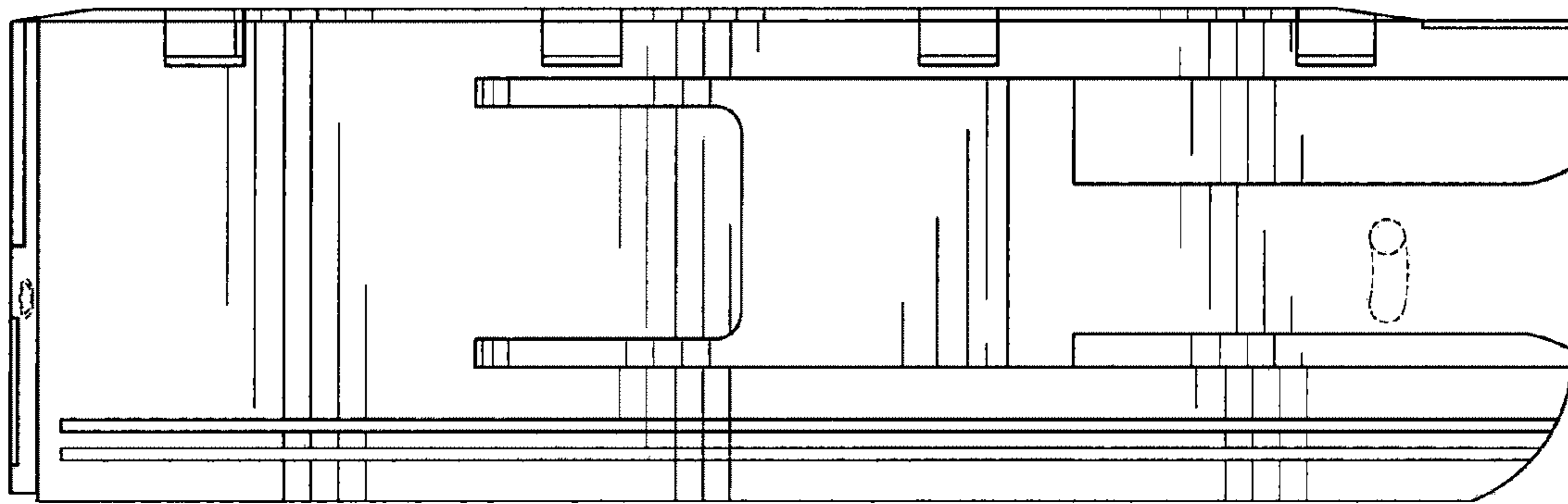


Fig-3

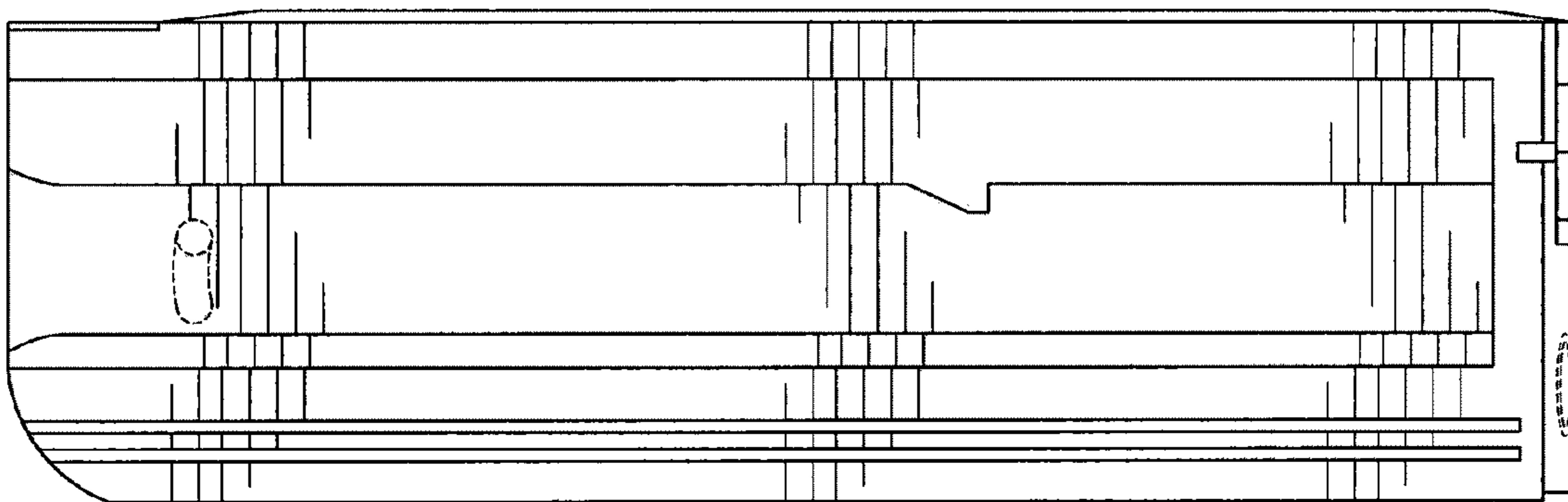


Fig-4

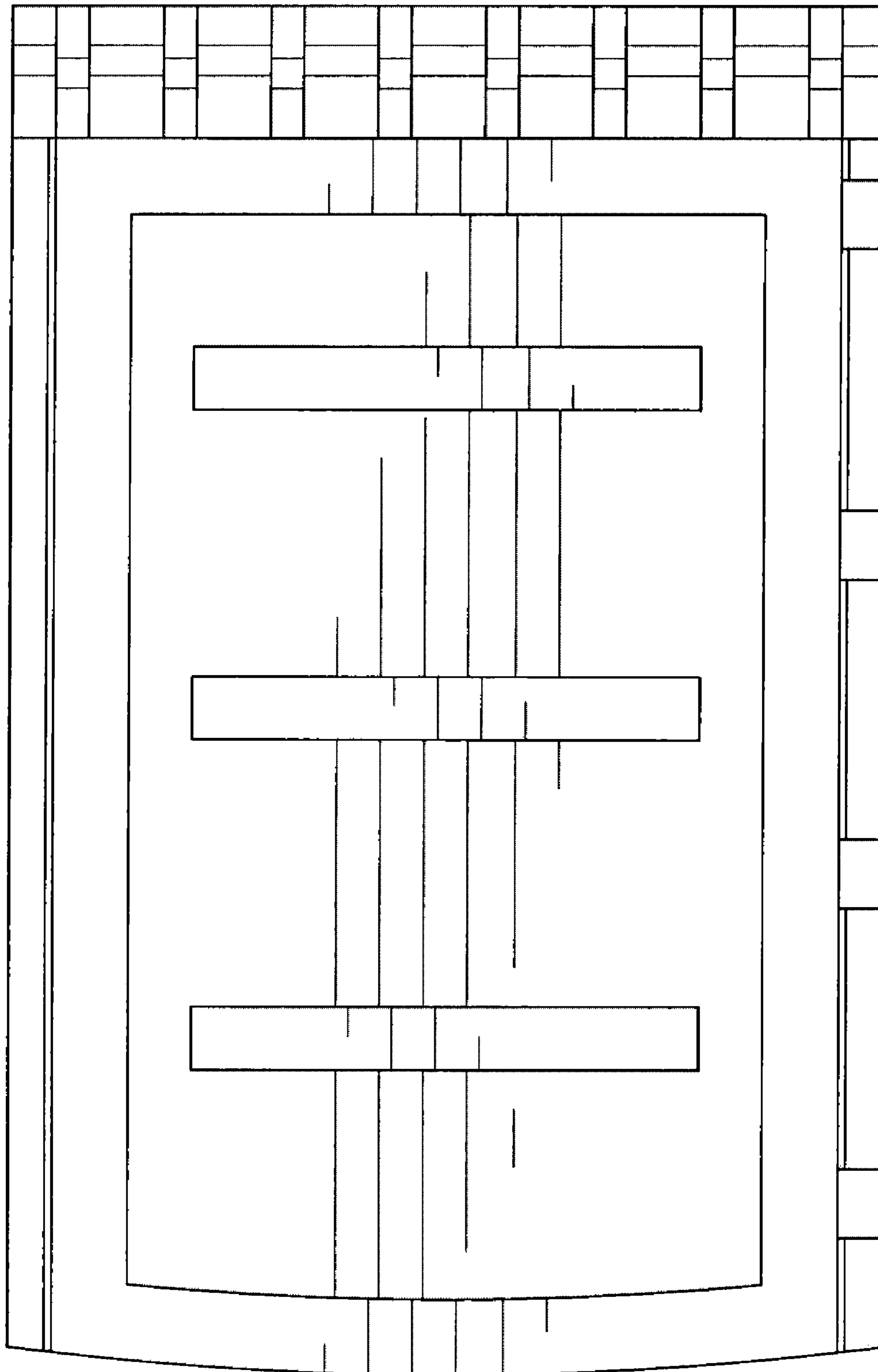


Fig-5

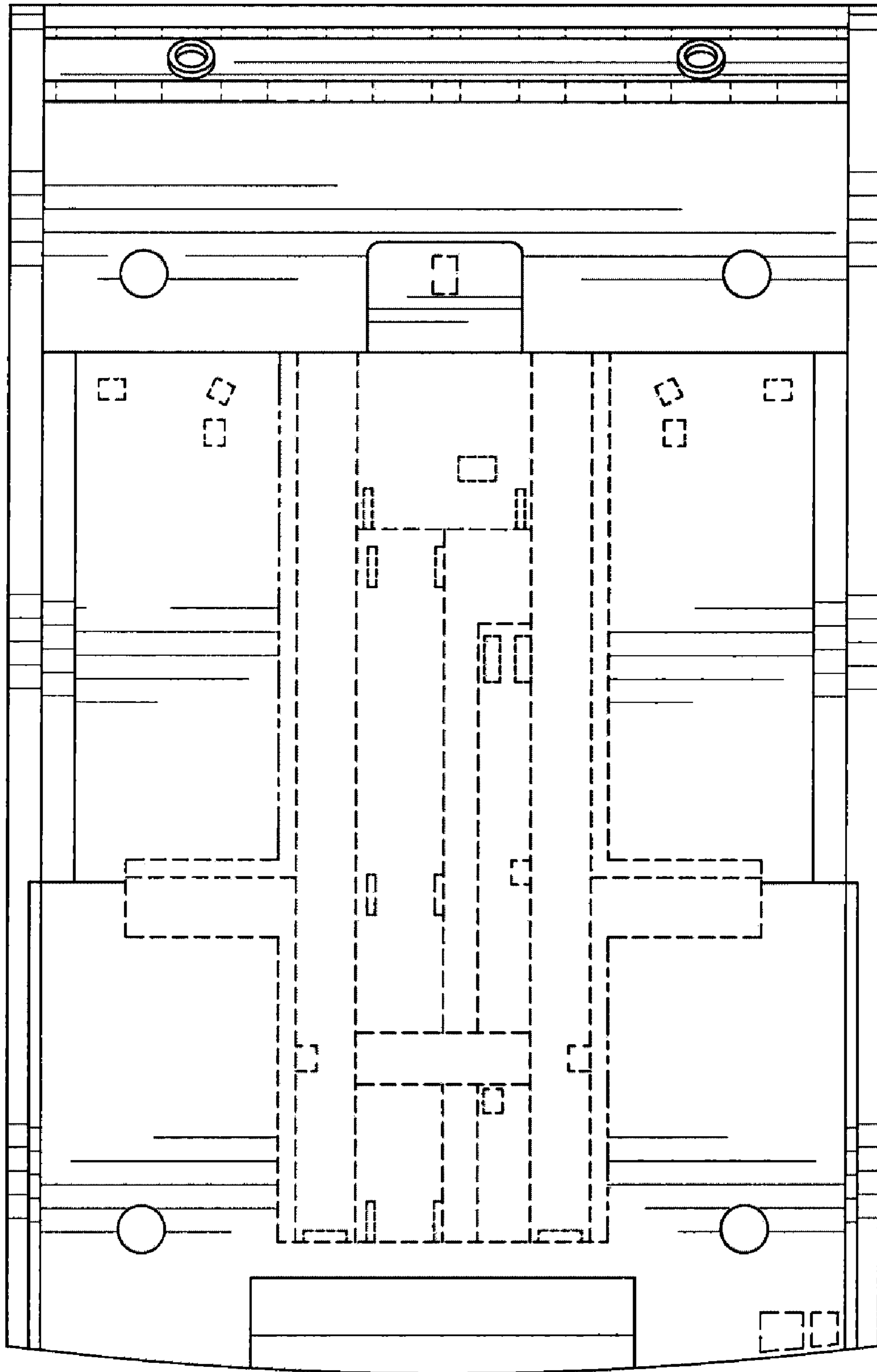


Fig-6

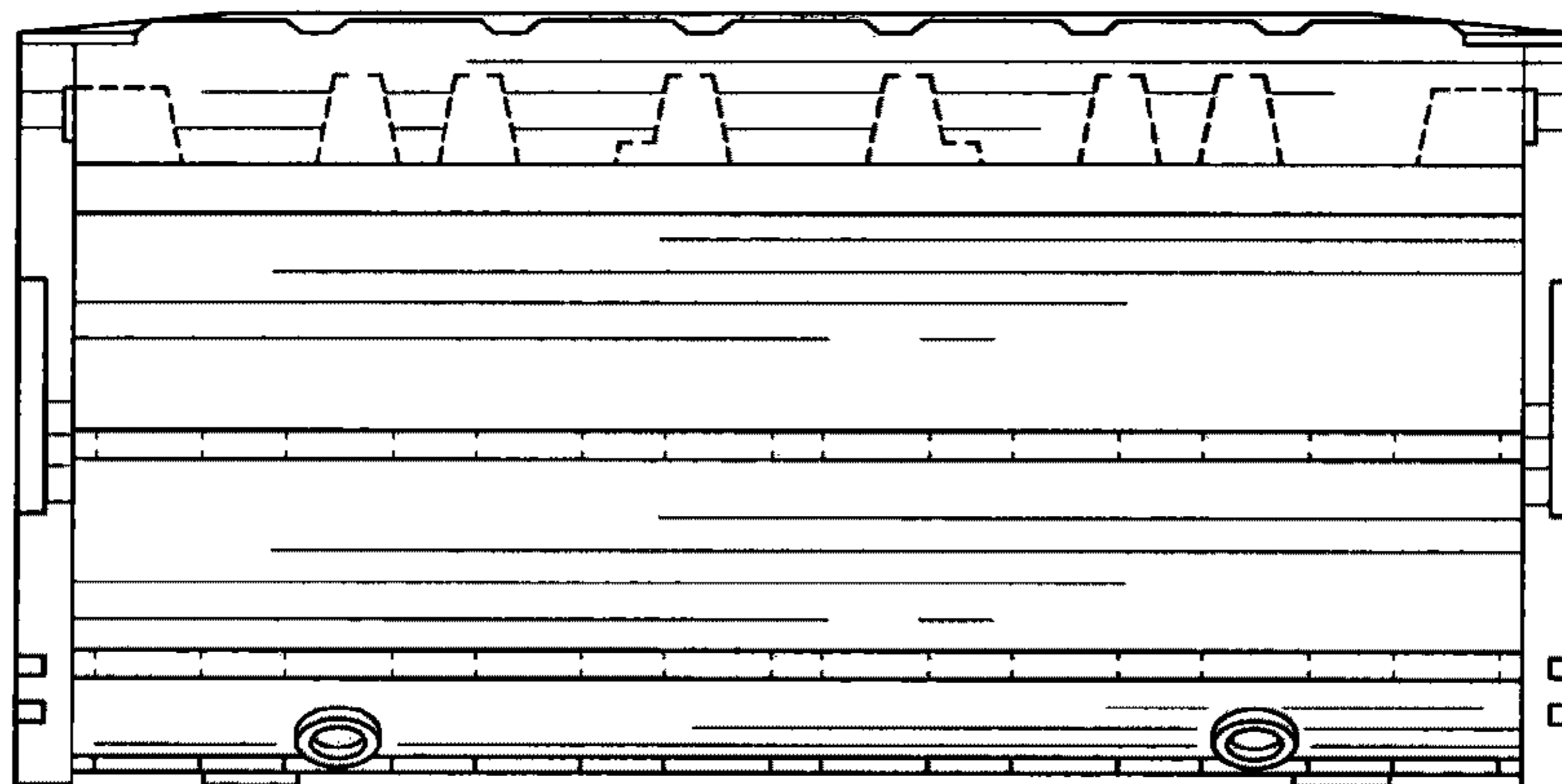


Fig-7

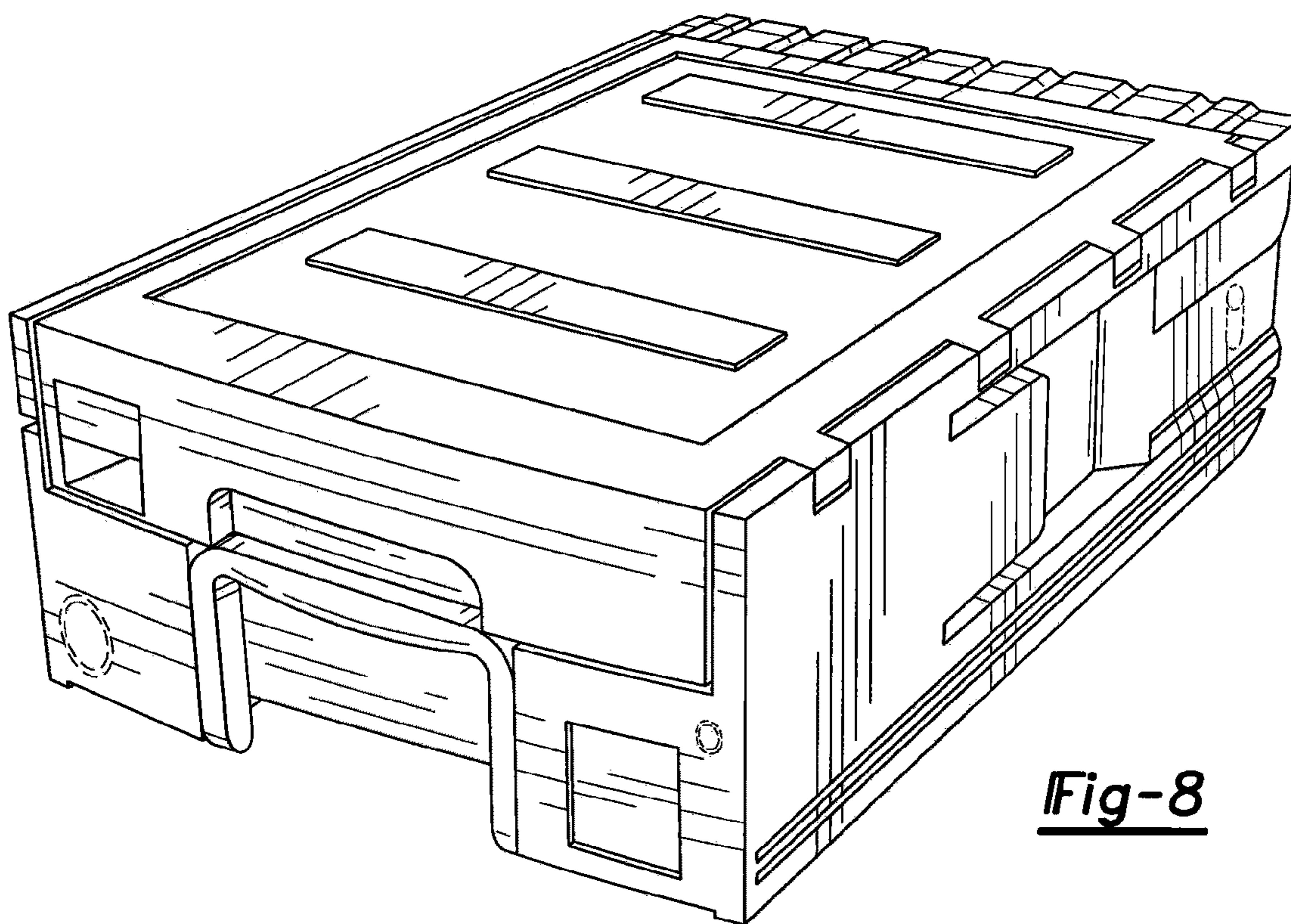


Fig-8

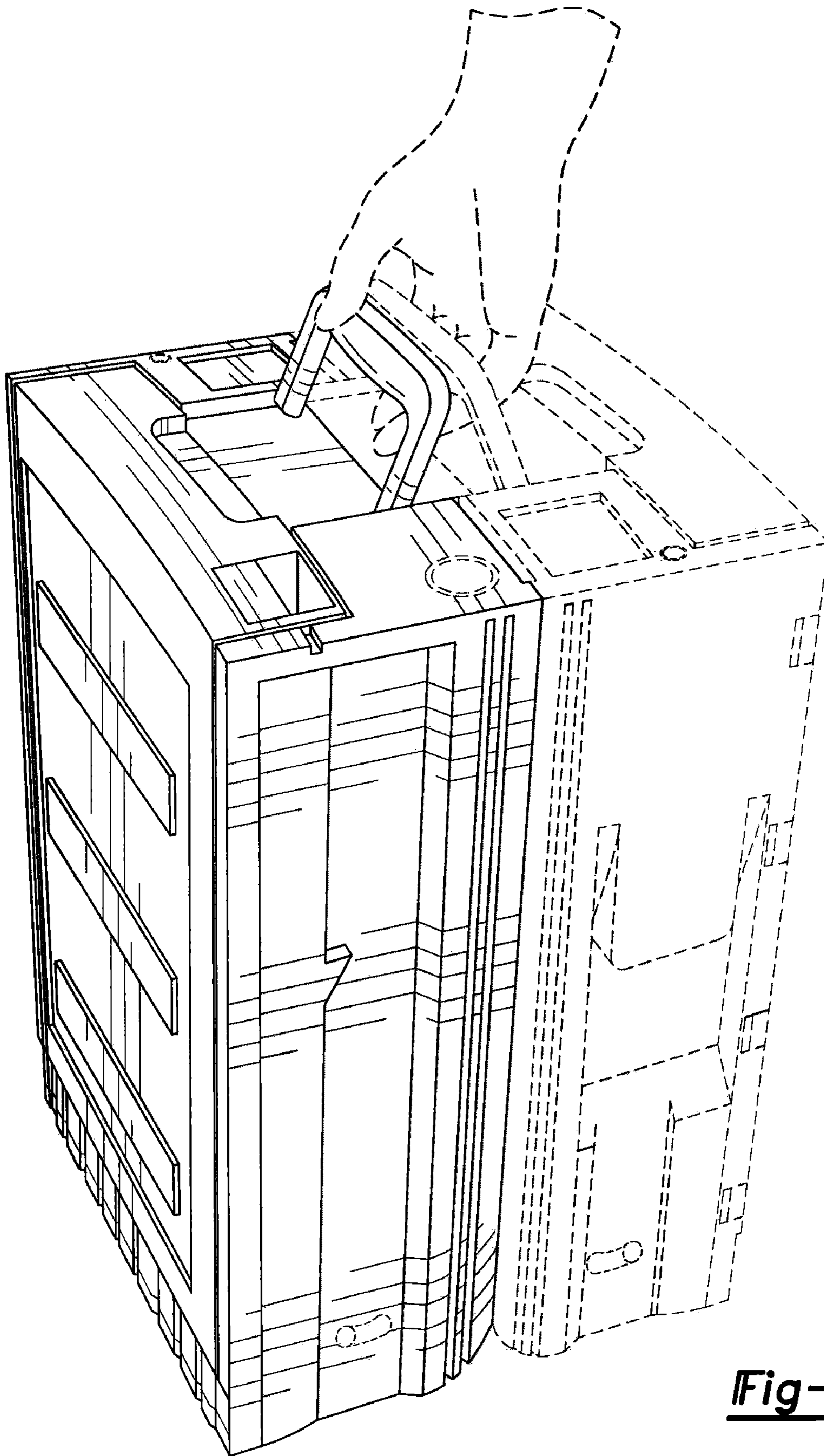


Fig-9