



US00D644813S

(12) **United States Design Patent**
Longcamp

(10) **Patent No.:** **US D644,813 S**

(45) **Date of Patent:** **** Sep. 6, 2011**

(54) **CASKET**

(75) **Inventor:** **William H. Longcamp**, Liberty Township, OH (US)

(73) **Assignee:** **Aurora Casket Company, Inc.**, Aurora, IN (US)

(**) **Term:** **14 Years**

(21) **Appl. No.:** **29/376,271**

(22) **Filed:** **Oct. 5, 2010**

(51) **LOC (9) Cl.** **99-00**

(52) **U.S. Cl.** **D99/1**

(58) **Field of Classification Search** D99/1,
D99/7, 11; 27/2, 3, 4, 5; 40/124.5; 52/103
See application file for complete search history.

D153,166	S	*	3/1949	Paden	D99/7
D153,167	S	*	3/1949	Paden	D99/7
2,533,828	A	*	12/1950	McEwan	27/17
D193,479	S	*	8/1962	Beinert	D99/7
3,411,191	A	*	11/1968	Ikert et al.	27/6
3,570,082	A	*	3/1971	Gruber	27/6
3,613,189	A	*	10/1971	Kirby	27/35
3,944,267	A	*	3/1976	Sundquist	292/158
D276,283	S	*	11/1984	Beardsley	D99/7
D288,257	S	*	2/1987	Beardsley	D99/7
D338,992	S	*	8/1993	Beardsley	D99/1
5,926,929	A	*	7/1999	MacKirdy	27/2
D417,057	S	*	11/1999	Jeffers	D99/7
D621,123	S	*	8/2010	Larry, III	D99/1
D622,473	S	*	8/2010	Pulver et al.	D99/1
7,908,720	B2	*	3/2011	Rojdev	27/10

* cited by examiner

Primary Examiner — Paula Greene

(74) *Attorney, Agent, or Firm* — Frost Brown Todd LLC

(56) **References Cited**

U.S. PATENT DOCUMENTS

D66,790	S	*	3/1925	Currie	D99/7
D75,966	S	*	8/1928	Falck	D99/7
1,779,693	A	*	10/1930	Clarke	27/19
D86,095	S	*	1/1932	Seely	D99/7
D89,668	S	*	4/1933	Junkunc, Jr.	D99/1
D93,603	S	*	10/1934	Blackford	D99/1
D95,701	S	*	5/1935	Neff	D99/7
D96,631	S	*	8/1935	Smith	D99/7
D107,324	S	*	12/1937	Schnelker	D99/7
2,116,703	A	*	5/1938	Larkin	52/140
D112,054	S	*	11/1938	Christian	D99/7
D133,331	S	*	8/1942	Zaiser	D99/7
D138,492	S	*	8/1944	Ayuso	D99/1
2,415,948	A	*	2/1947	Hillenbrand	27/2

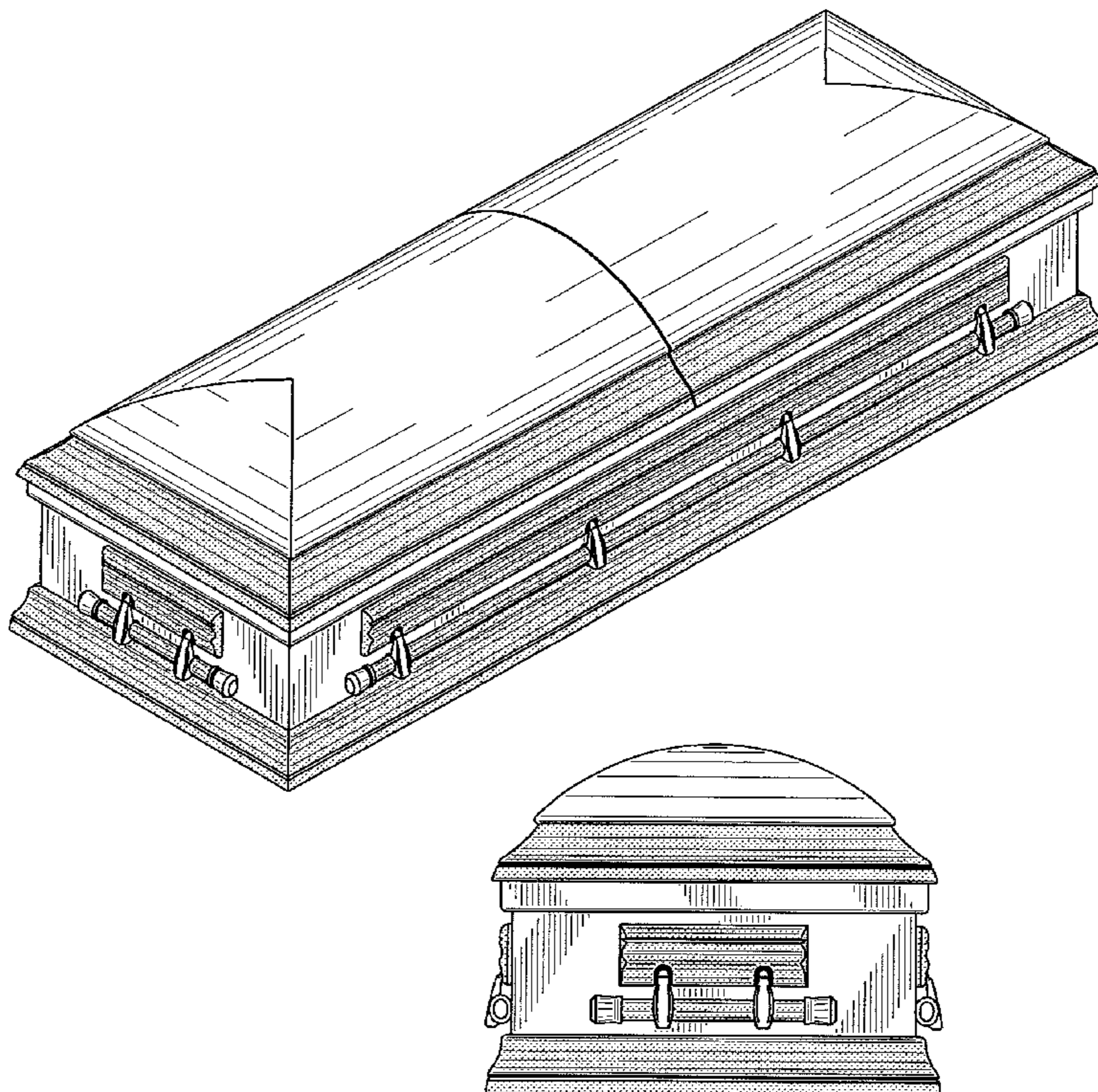
(57) **CLAIM**

The ornamental design for a casket, as shown and described.

DESCRIPTION

FIG. 1 is a top perspective view of a casket, showing our new design;
FIG. 2 is a front elevation view thereof, the rear elevation view being a mirror image of the front elevation thereof;
FIG. 3 is a side elevation view thereof, the opposite side being a mirror image thereof;
FIG. 4 is a top plan view thereof; and,
FIG. 5 is a bottom plan view thereof.

1 Claim, 5 Drawing Sheets



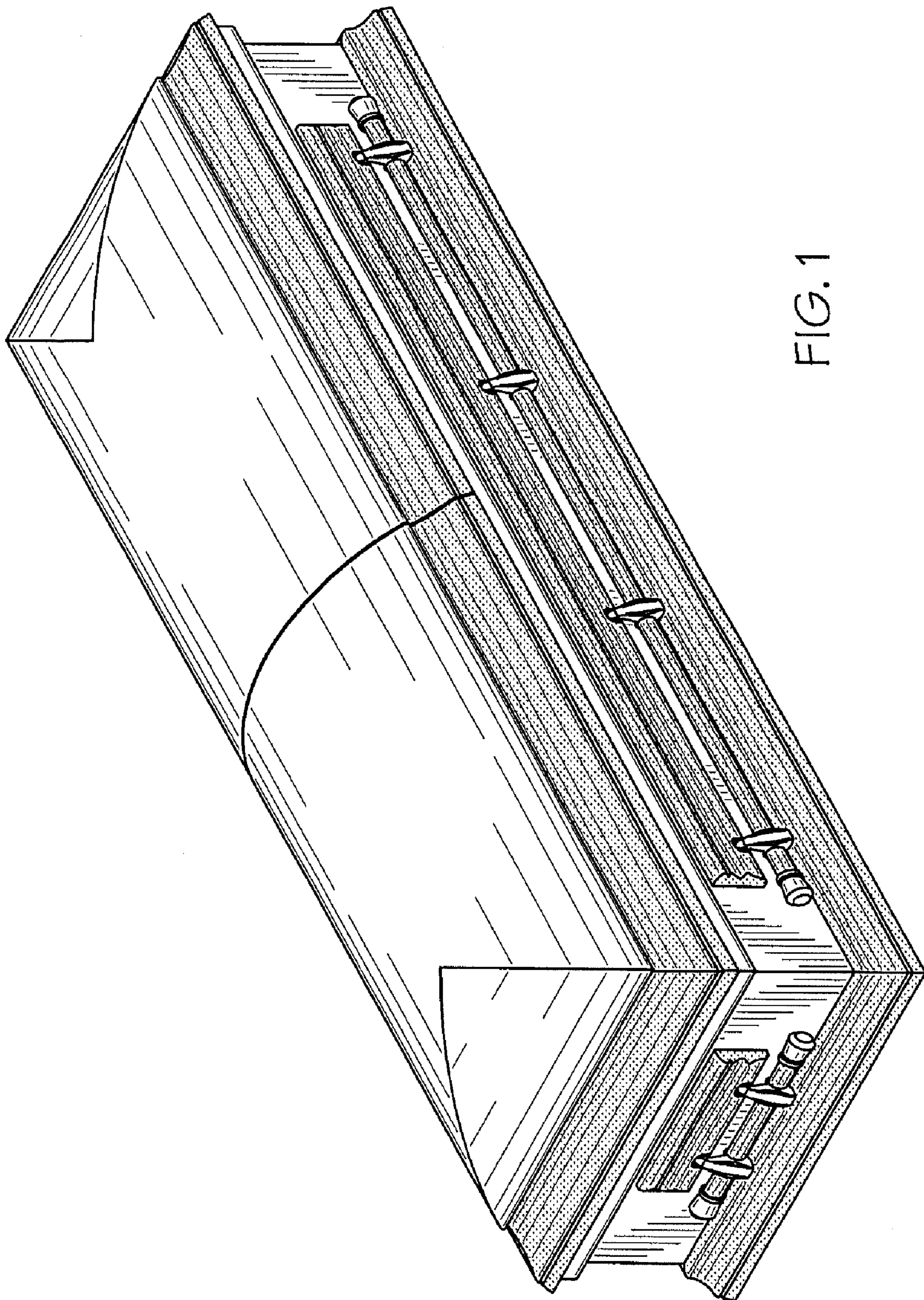


FIG. 1

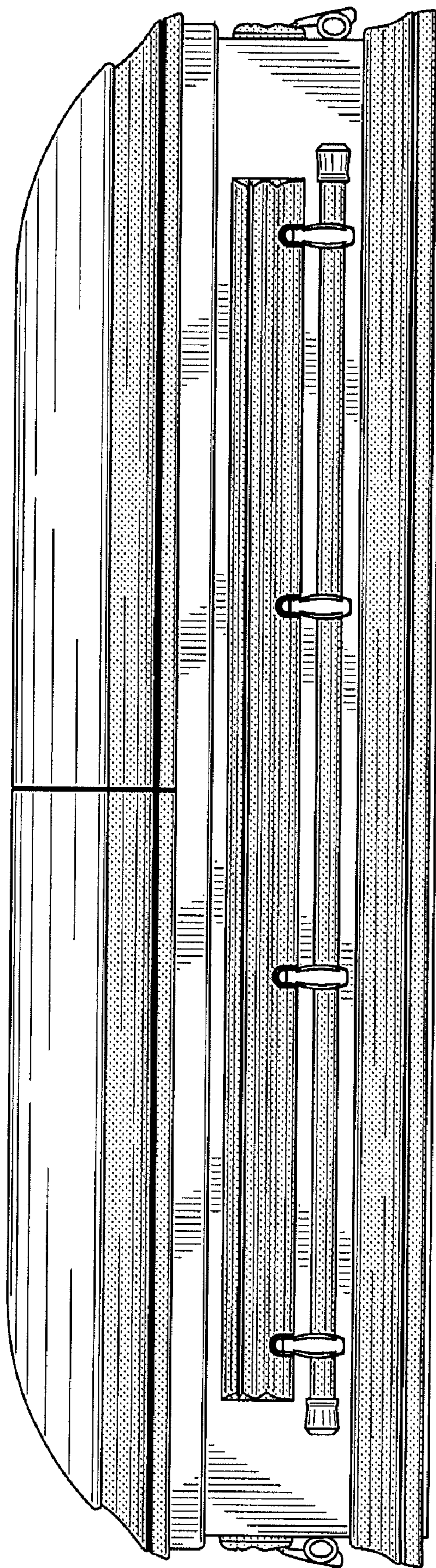


FIG. 2

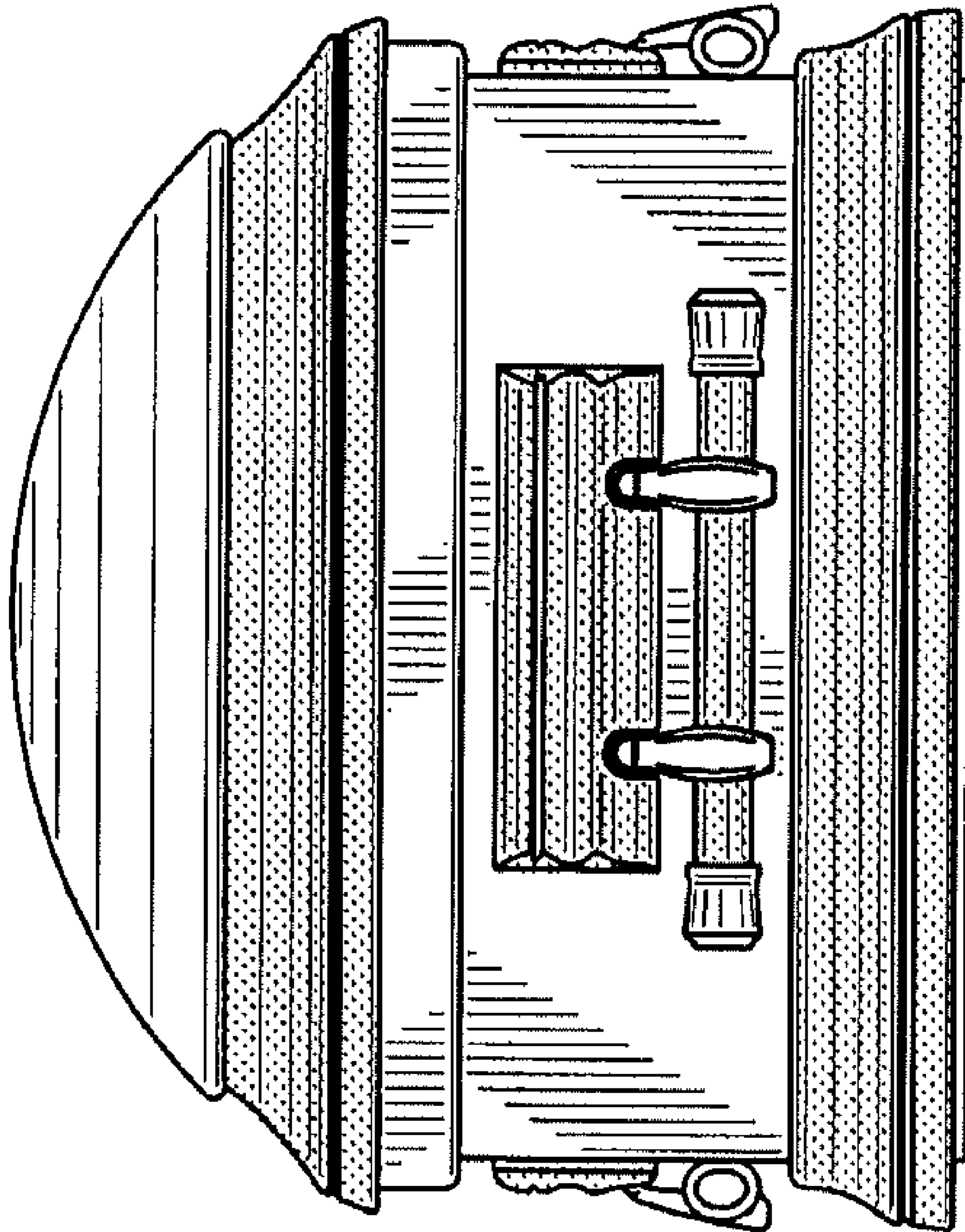


FIG. 3

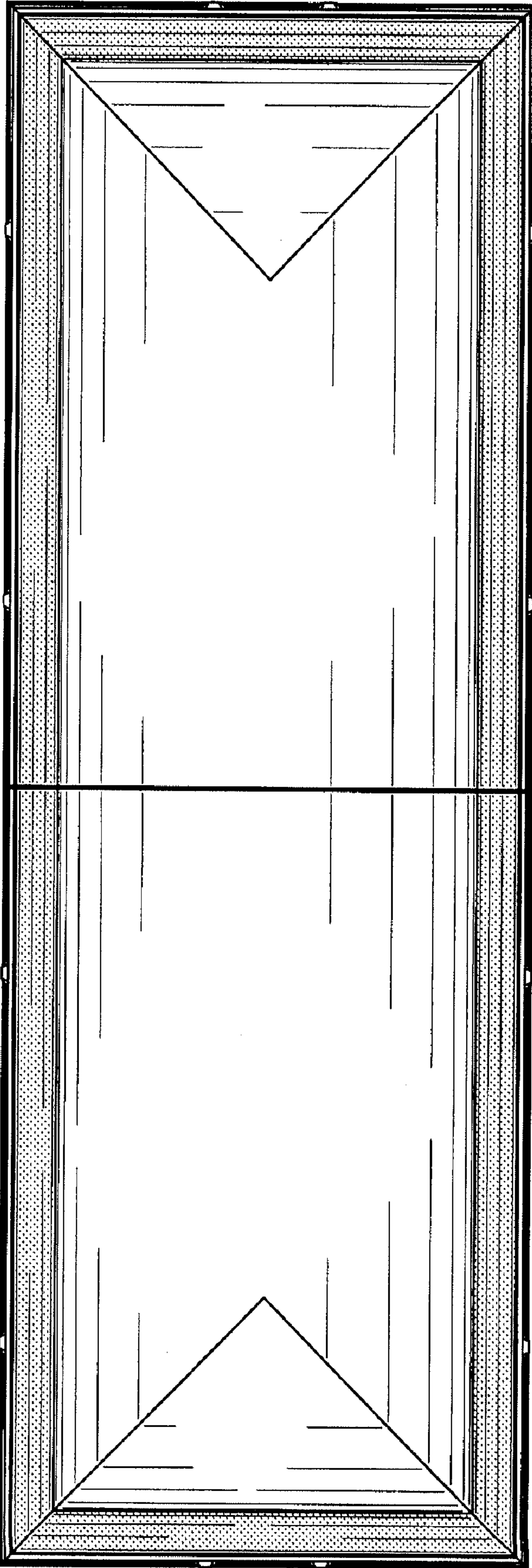


FIG. 4

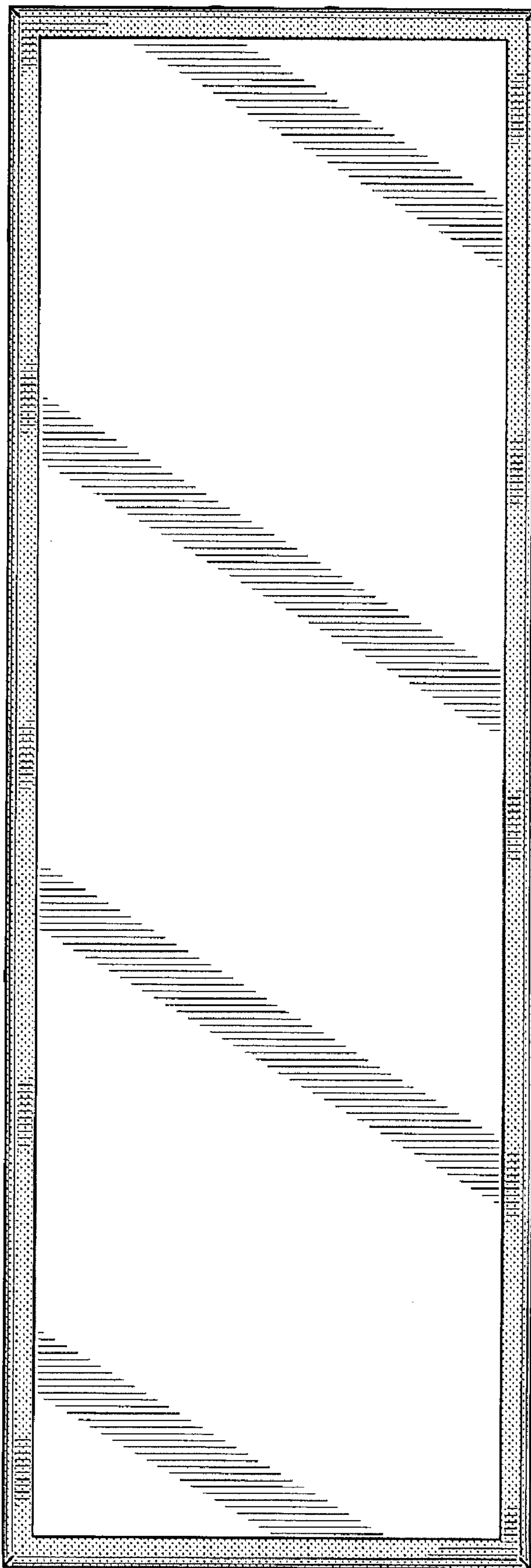


FIG. 5