



US00D644812S

(12) **United States Design Patent**
Longcamp

(10) **Patent No.:** **US D644,812 S**
(45) **Date of Patent:** **** Sep. 6, 2011**

(54) **CASKET**

(75) **Inventor:** **William H. Longcamp**, Liberty Township, OH (US)

(73) **Assignee:** **Aurora Casket Company, Inc.**, Aurora, IN (US)

(**) **Term:** **14 Years**

(21) **Appl. No.:** **29/376,268**

(22) **Filed:** **Oct. 5, 2010**

(51) **LOC (9) Cl.** **99-00**

(52) **U.S. Cl.** **D99/1**

(58) **Field of Classification Search** D99/1,
D99/7, 8, 11, 15; 27/2, 3, 4, 5; 52/103; 40/124.5,
40/124.01, 124.02, 124.03, 124.04, 124.06;
D11/22, 37, 39, 168, 170, 121; D19/4, 2,
D19/1; D7/396.4, 396.5; 428/8, 11
See application file for complete search history.

(56) **References Cited**

U.S. PATENT DOCUMENTS

D50,880	S	*	6/1917	Smith	D99/1
D66,790	S	*	3/1925	Currie	D99/7
D70,590	S	*	7/1926	Addison	D11/37
D75,966	S	*	8/1928	Falck	D99/7
1,779,693	A	*	10/1930	Clarke	27/19
D86,095	S	*	1/1932	Seely	D99/7
D87,828	S	*	9/1932	Falck	D99/7
D89,668	S	*	4/1933	Junkunc, Jr.	D99/1
D91,550	S	*	2/1934	Zerfing	D99/1
D93,603	S	*	10/1934	Blackford	D99/1
D95,701	S	*	5/1935	Neff	D99/7
D96,631	S	*	8/1935	Smith	D99/7
D107,324	S	*	12/1937	Schnelker	D99/7
2,116,703	A	*	5/1938	Larkin	52/140
D112,054	S	*	11/1938	Christian	D99/7
D116,131	S	*	8/1939	Baker	D99/1
D132,110	S	*	4/1942	Zaiser	D99/7
D133,331	S	*	8/1942	Zaiser	D99/7

D138,492	S	*	8/1944	Ayuso	D99/1
D153,166	S	*	3/1949	Paden	D99/7
D153,167	S	*	3/1949	Paden	D99/7
2,533,828	A	*	12/1950	McEwan	27/17
D193,479	S	*	8/1962	Beinert	D99/7
3,411,191	A	*	11/1968	Ikert et al.	27/6
3,490,114	A	*	1/1970	Connelly et al.	27/2
3,504,409	A	*	4/1970	Keller, Jr.	27/6
3,570,082	A	*	3/1971	Gruber	27/6
3,613,189	A	*	10/1971	Kirby	27/35
3,944,267	A	*	3/1976	Sundquist	292/158
D276,283	S	*	11/1984	Beardsley	D99/7
D288,257	S	*	2/1987	Beardsley	D99/7
4,788,757	A	*	12/1988	Bethune et al.	27/2
D338,992	S	*	8/1993	Beardsley	D99/1
5,727,291	A	*	3/1998	Biondo et al.	27/2
5,926,929	A	*	7/1999	MacKirby	27/2
D417,057	S	*	11/1999	Jeffers	D99/7
D621,123	S	*	8/2010	Larry, III	D99/1
D622,473	S	*	8/2010	Pulver et al.	D99/1

* cited by examiner

Primary Examiner — Paula Greene

(74) *Attorney, Agent, or Firm* — Frost Brown Todd LLC

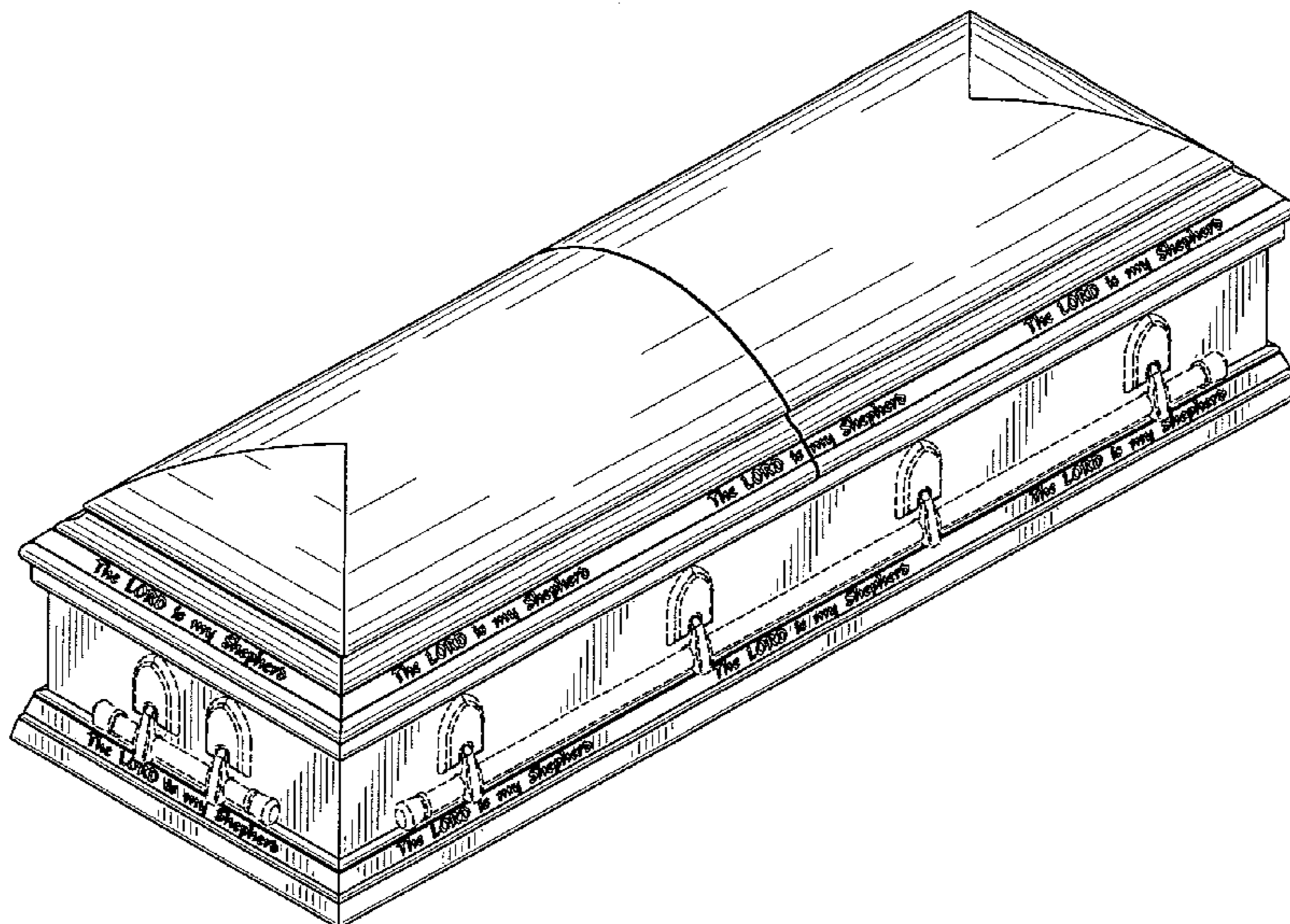
(57) **CLAIM**

The ornamental design for a casket, as shown and described.

DESCRIPTION

FIG. 1 is a top perspective view of a casket, showing our new design;
 FIG. 2 is a front elevation view thereof, the rear elevation view being a mirror image of the front elevation thereof;
 FIG. 3 is a side elevation view thereof, the opposite side being a mirror image thereof;
 FIG. 4 is a top plan view thereof; and,
 FIG. 5 is a bottom plan view thereof.
 The elongated handles along the side, front, and rear, and the molding connected to the handles shown in broken lines are unclaimed environment, and form no part of the claimed design.

1 Claim, 5 Drawing Sheets



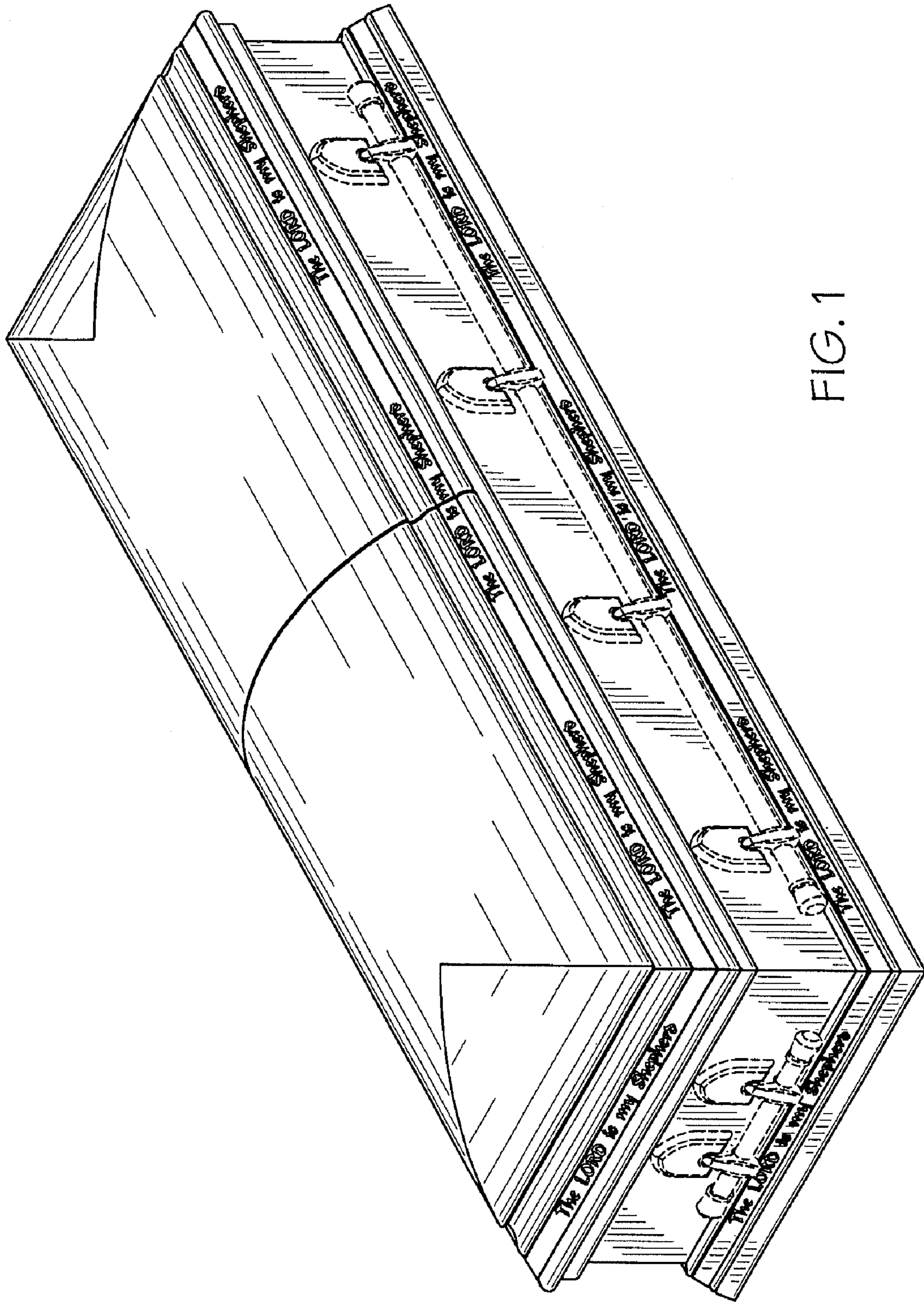


FIG. 1

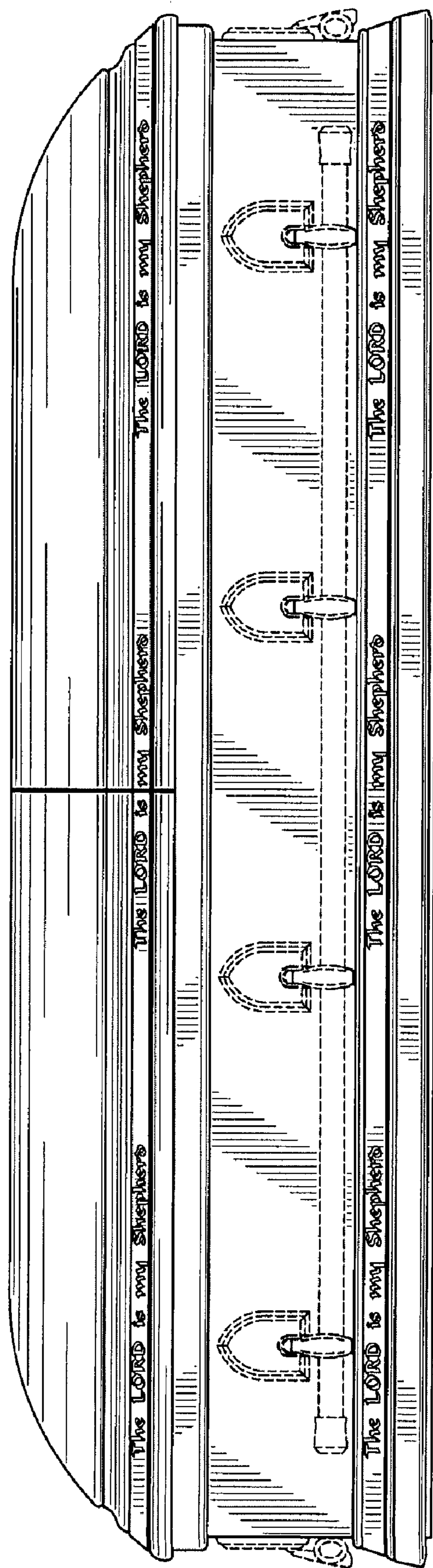


FIG. 2

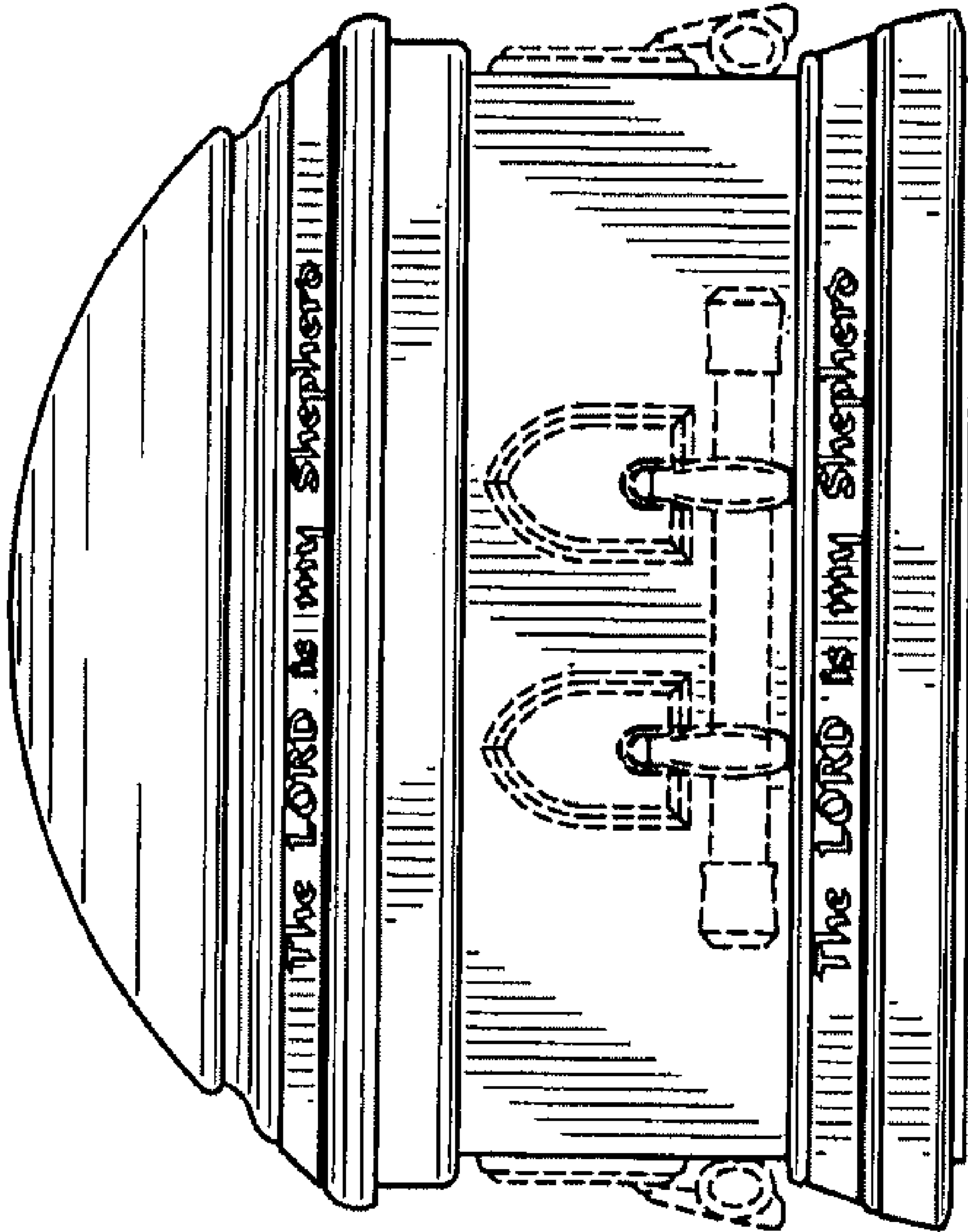


FIG. 3

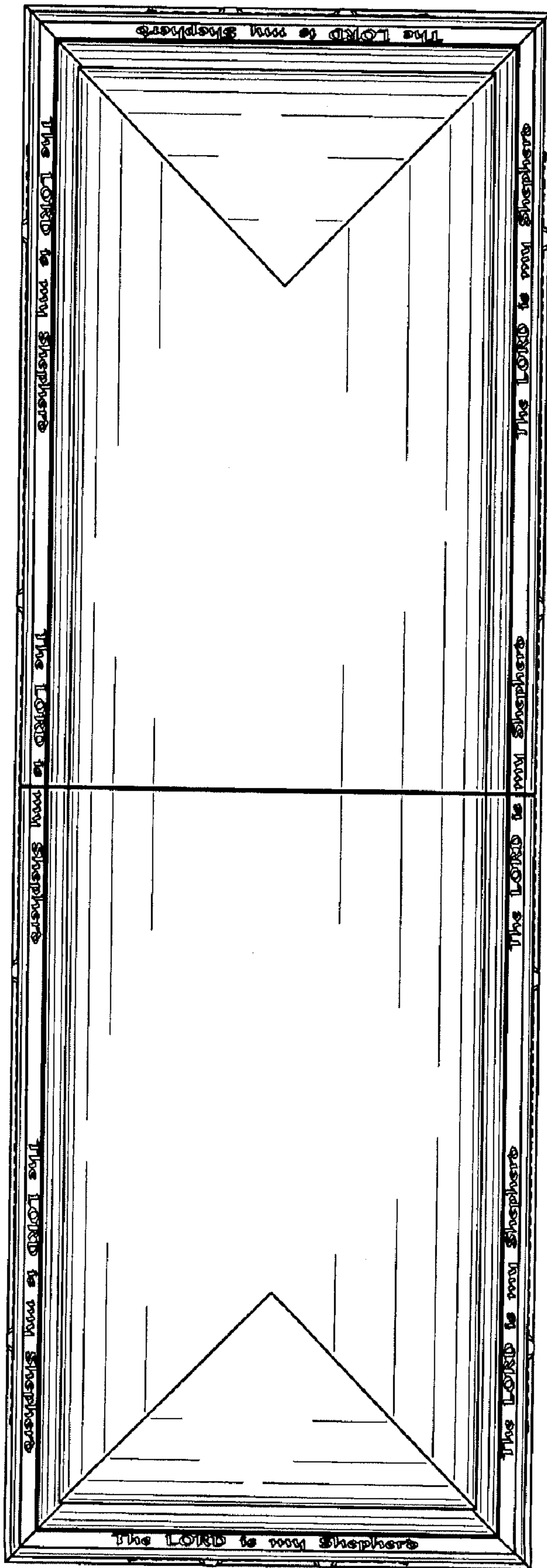


FIG. 4

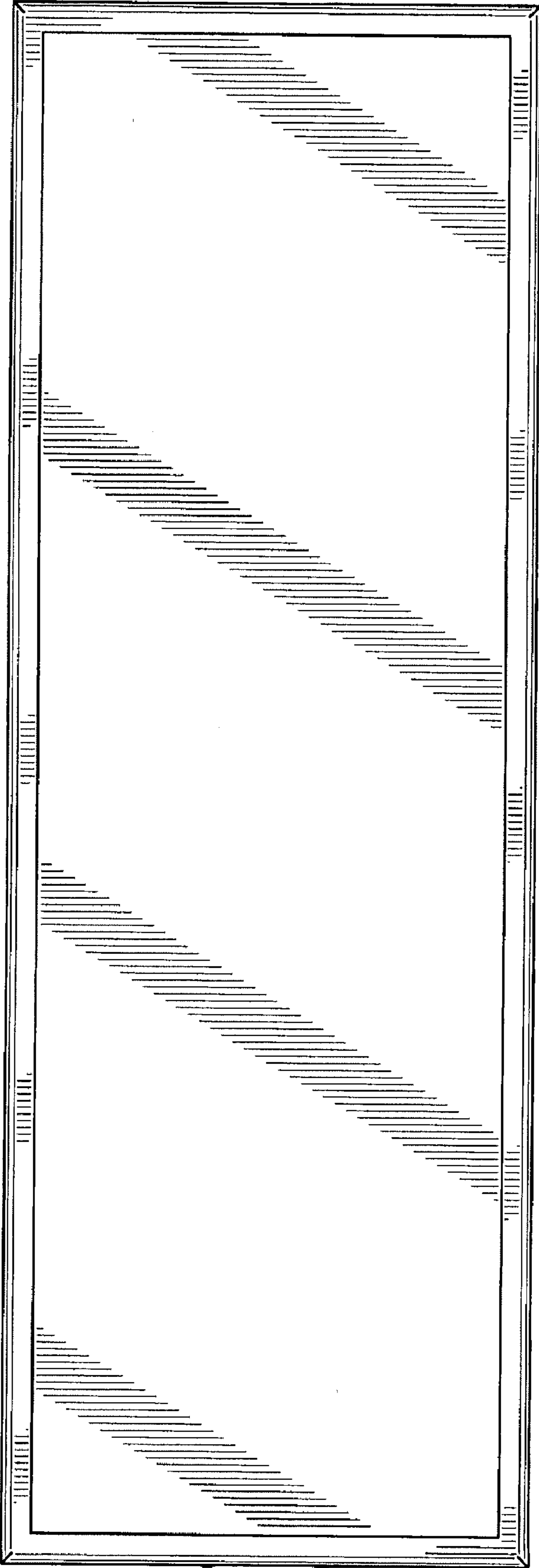


FIG. 5