



US00D644810S

(12) **United States Design Patent**
Peota et al.

(10) **Patent No.:** **US D644,810 S**
(45) **Date of Patent:** **** Sep. 6, 2011**

(54) **SHOPPING CART**

(75) Inventors: **Robert Dale Peota**, Minneapolis, MN (US); **David Joseph Floersch**, Brooklyn Park, MN (US); **Adam John Shileny**, West Bend, WI (US)

(73) Assignee: **Target Brands, Inc.**, Minneapolis, MN (US)

(**) Term: **14 Years**

(21) Appl. No.: **29/393,508**

(22) Filed: **Jun. 6, 2011**

Related U.S. Application Data

(62) Division of application No. 29/350,525, filed on Nov. 18, 2009, now Pat. No. Des. 641,532.

(51) **LOC (9) Cl.** **12-02**

(52) **U.S. Cl.** **D34/27; D34/17**

(58) **Field of Classification Search** D34/12-27;
280/33.991-33.993, 33.995, 33.997, 79.2;
264/50; D21/534

See application file for complete search history.

(56) **References Cited**

U.S. PATENT DOCUMENTS

3,048,420	A	8/1962	Umanoff
3,844,577	A	10/1974	Wahl
4,046,394	A	9/1977	Thompson, Jr.
4,273,346	A	6/1981	Rehrig
5,560,626	A	10/1996	Glazer et al.
6,490,979	B1	12/2002	Pfleger et al.
6,705,623	B2	3/2004	Nadeau et al.
6,736,415	B1	5/2004	Lenihan
6,761,364	B2	7/2004	Murar et al.
6,955,363	B2	10/2005	Libretti et al.
D530,478	S	10/2006	Splain et al.

D540,998	S	4/2007	Splain et al.
D556,413	S	11/2007	Splain et al.
7,398,976	B2	7/2008	Splain et al.
D575,472	S	8/2008	Splain et al.
7,410,178	B2	8/2008	Splain et al.
7,416,194	B2	8/2008	Splain et al.
D582,122	S	12/2008	Splain et al.
D588,775	S	3/2009	Peota et al.
D591,474	S	4/2009	Peota et al.
7,600,763	B2	10/2009	Splain et al.
D623,374	S	9/2010	Splain et al.
7,793,948	B2	9/2010	Splain et al.
D641,532	S *	7/2011	Peota et al. D34/17
2002/0135144	A1	9/2002	Murar et al.

OTHER PUBLICATIONS

<http://www.darrott.de/33-1-Datenblatt.html>, Darrott Vermaport SC conveyor brochures and data sheets, Jan. 9, 2008, 16 pages.

* cited by examiner

Primary Examiner — Cynthia Ramirez

(74) *Attorney, Agent, or Firm* — Griffiths & Seaton PLLC

(57) **CLAIM**

The ornamental design for a shopping cart, as shown and described.

DESCRIPTION

FIG. 1 is a perspective view of a shopping cart showing our new design;

FIG. 2 is a front elevation view thereof;

FIG. 3 is a rear elevation view thereof;

FIG. 4 is a right side elevation view thereof;

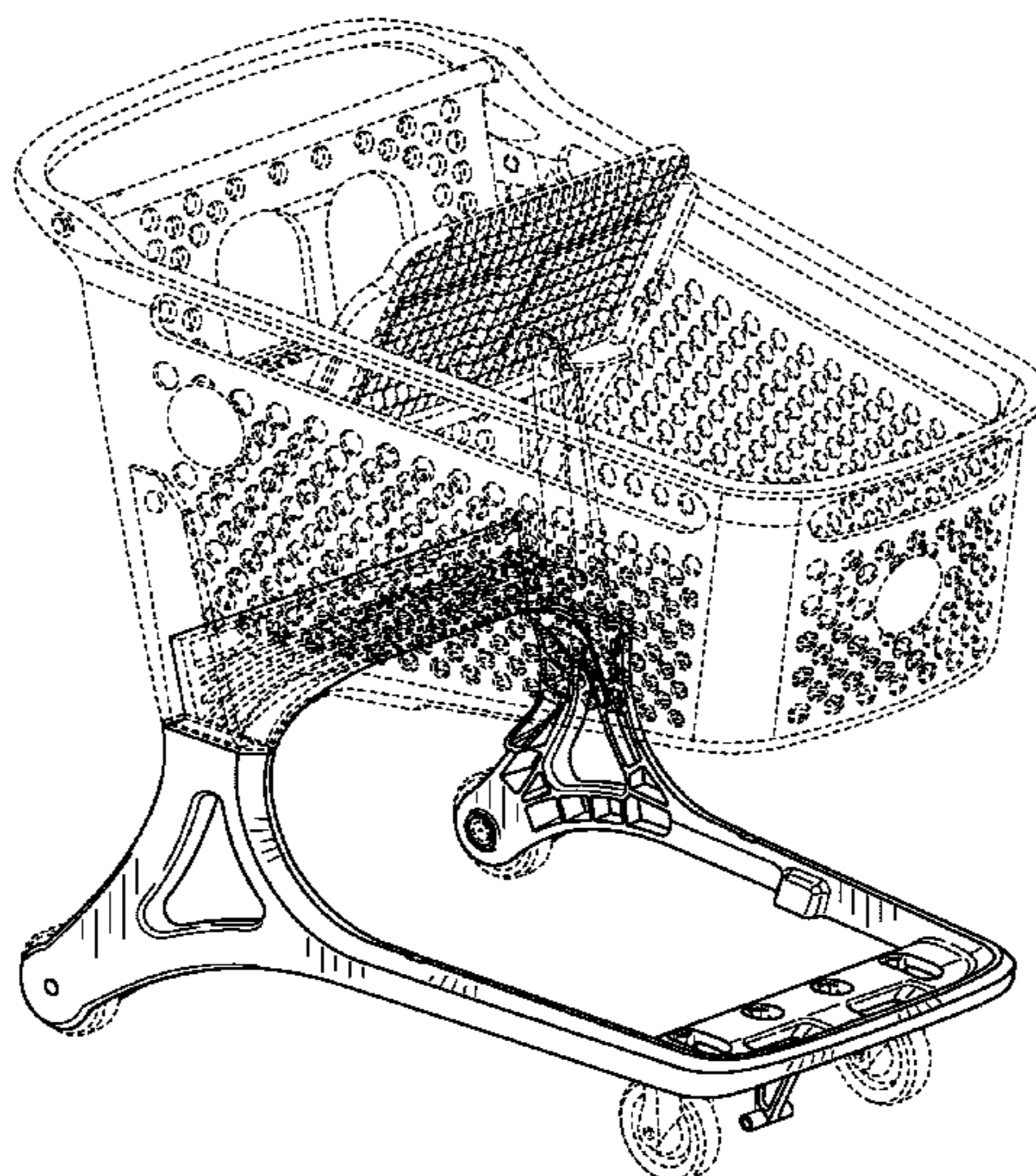
FIG. 5 is a left side elevation view thereof;

FIG. 6 is a top plan view thereof; and,

FIG. 7 is a bottom plan view thereof.

The broken lines are included for illustrative purposes and form no part of the claimed design.

1 Claim, 7 Drawing Sheets



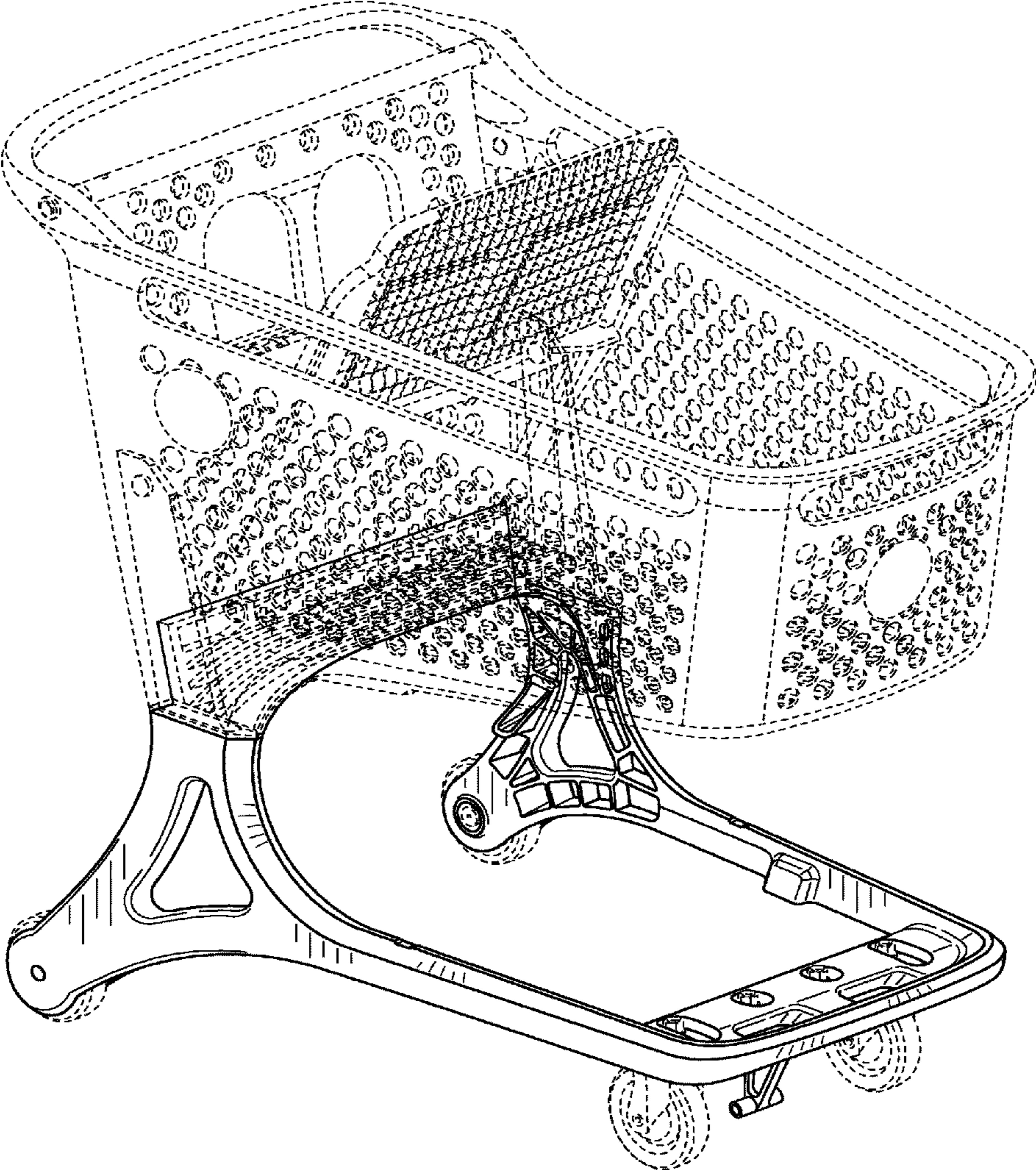


FIG. 1

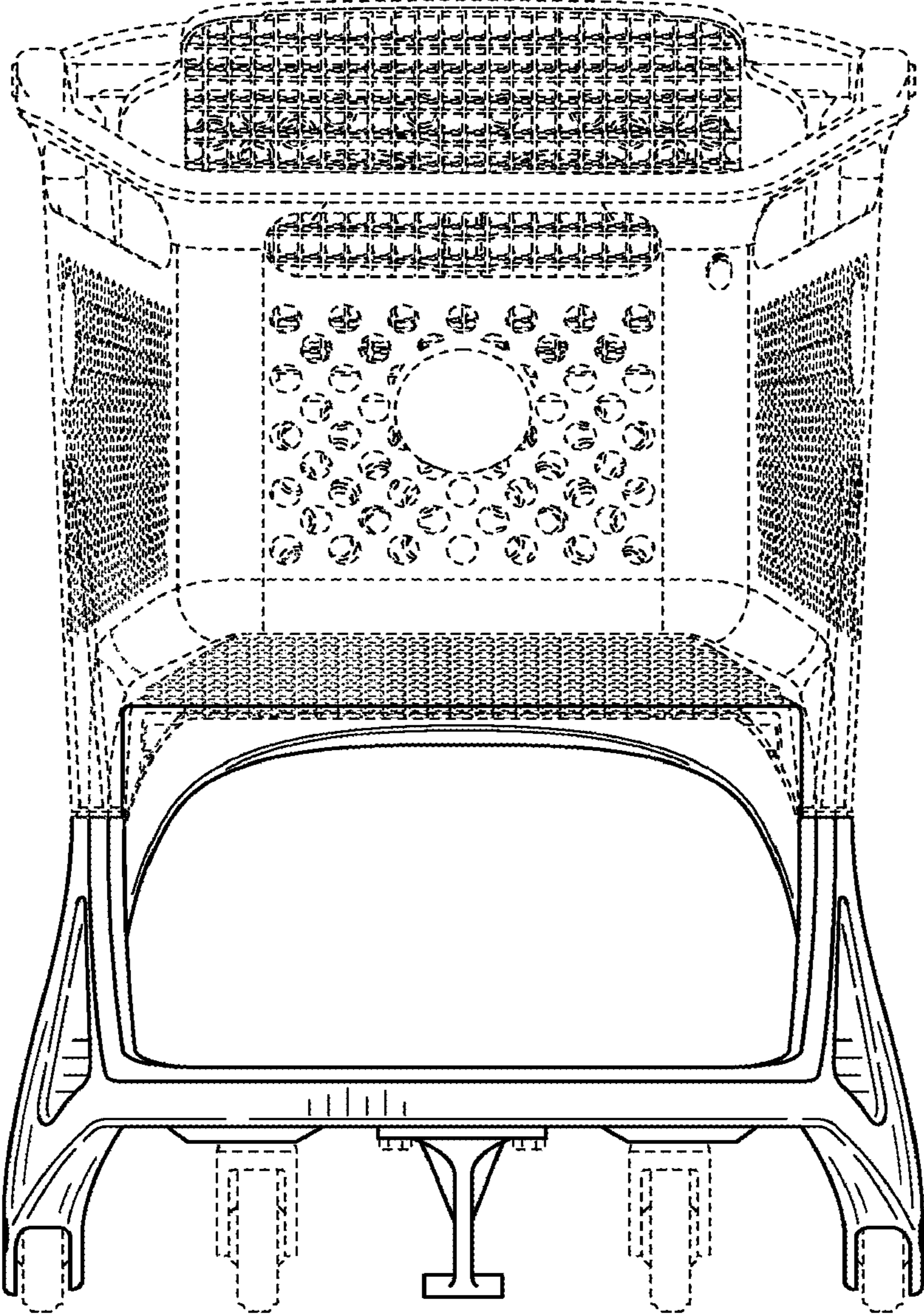


FIG. 2

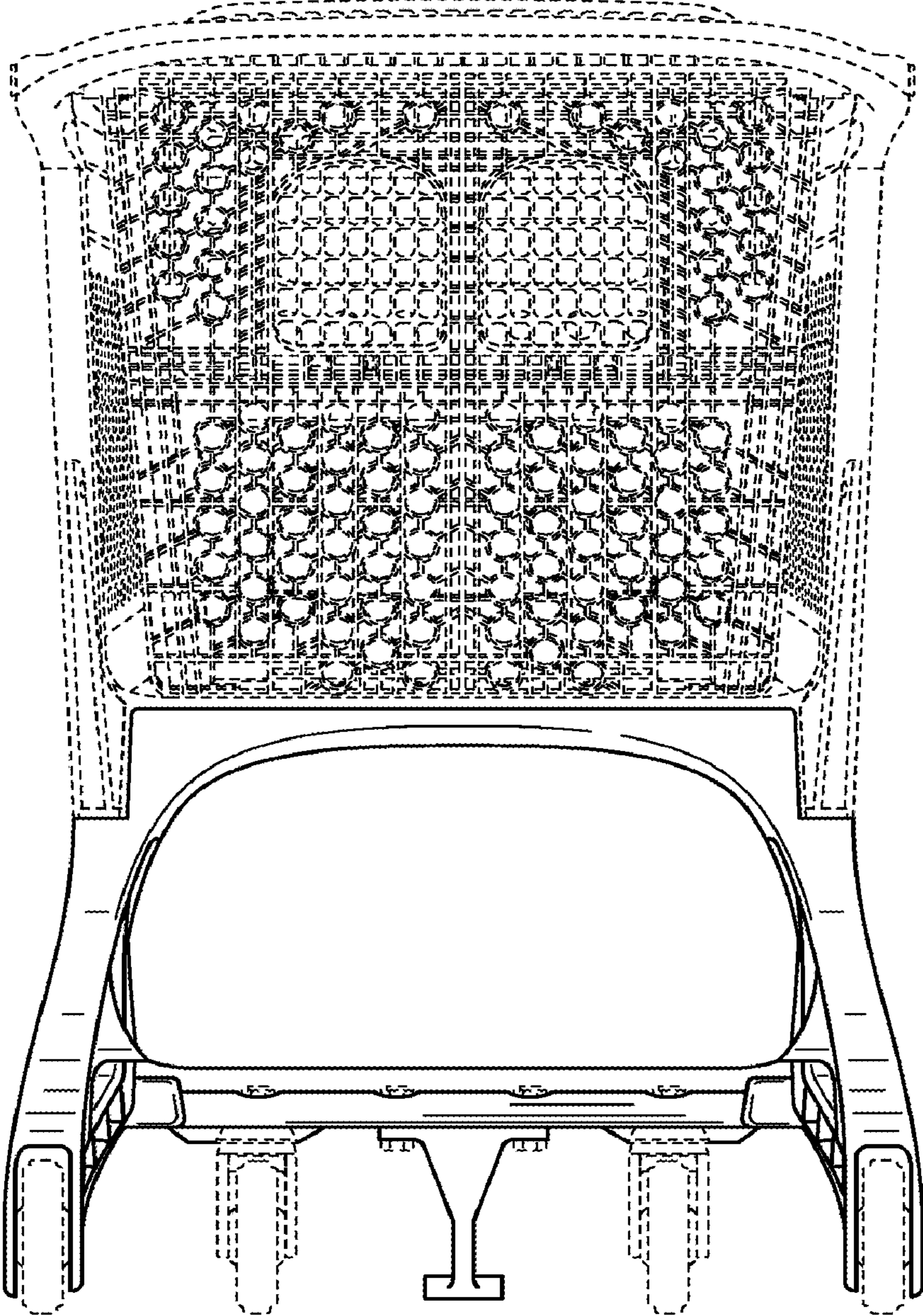


FIG. 3

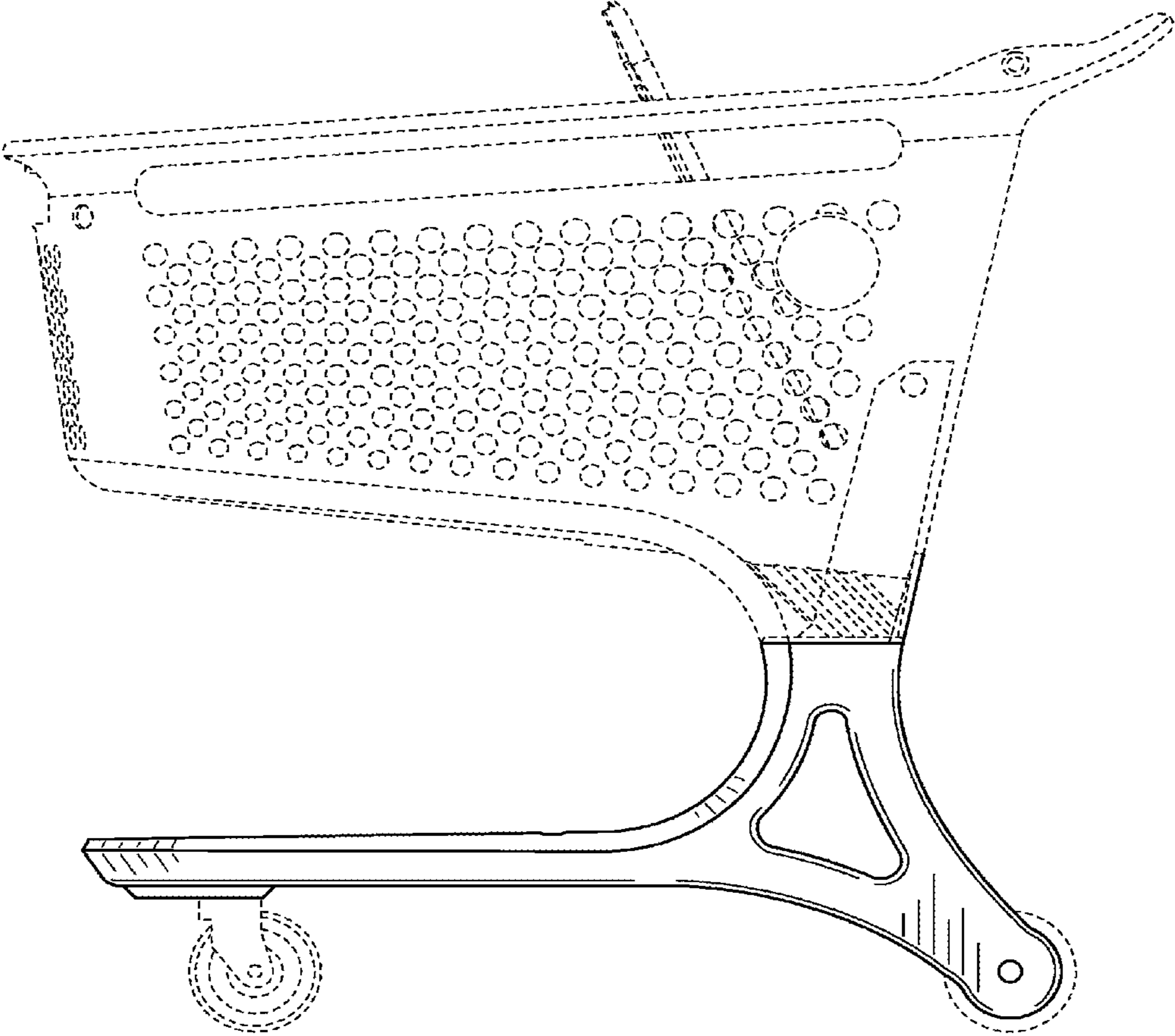


FIG. 4

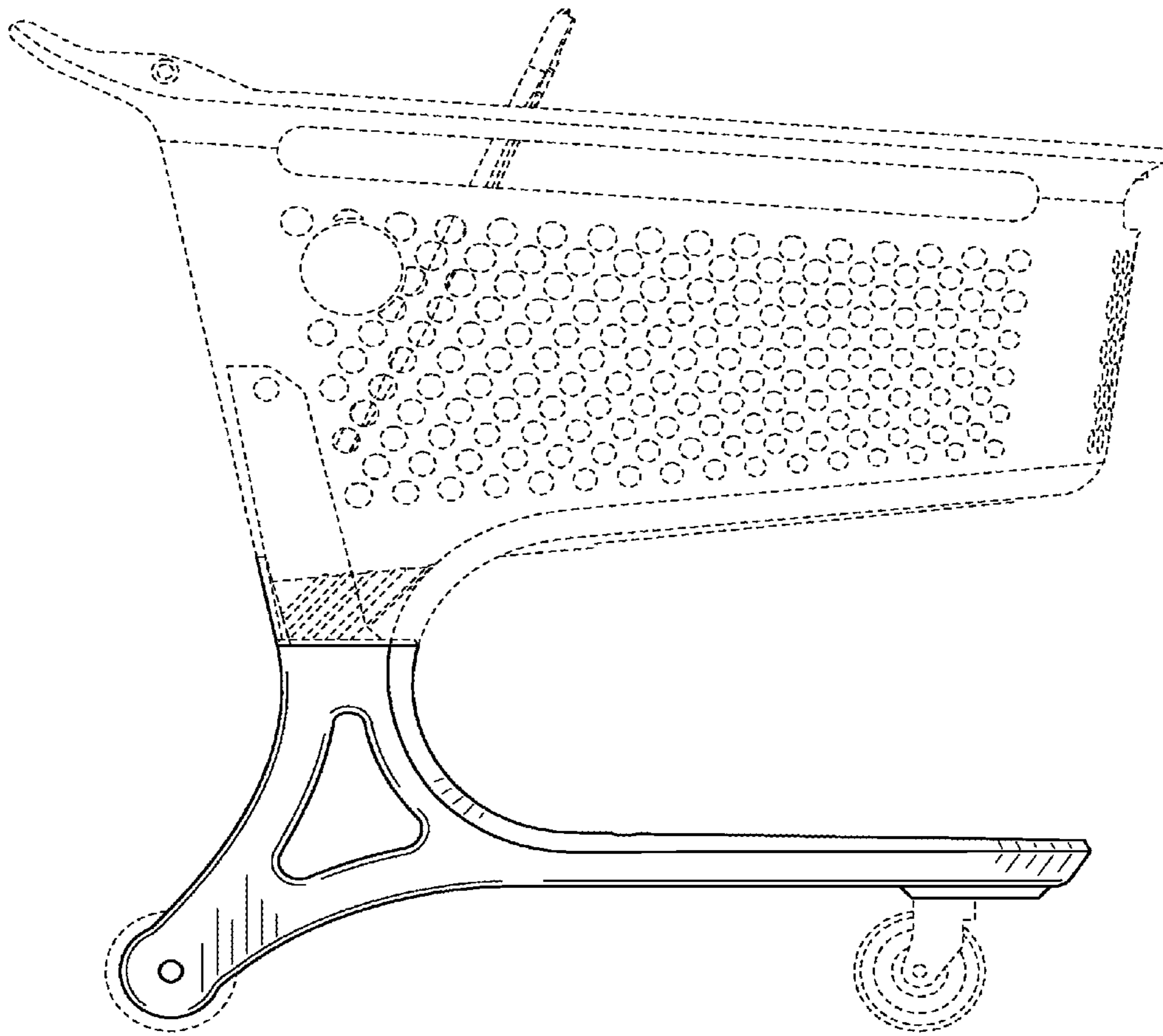


FIG. 5

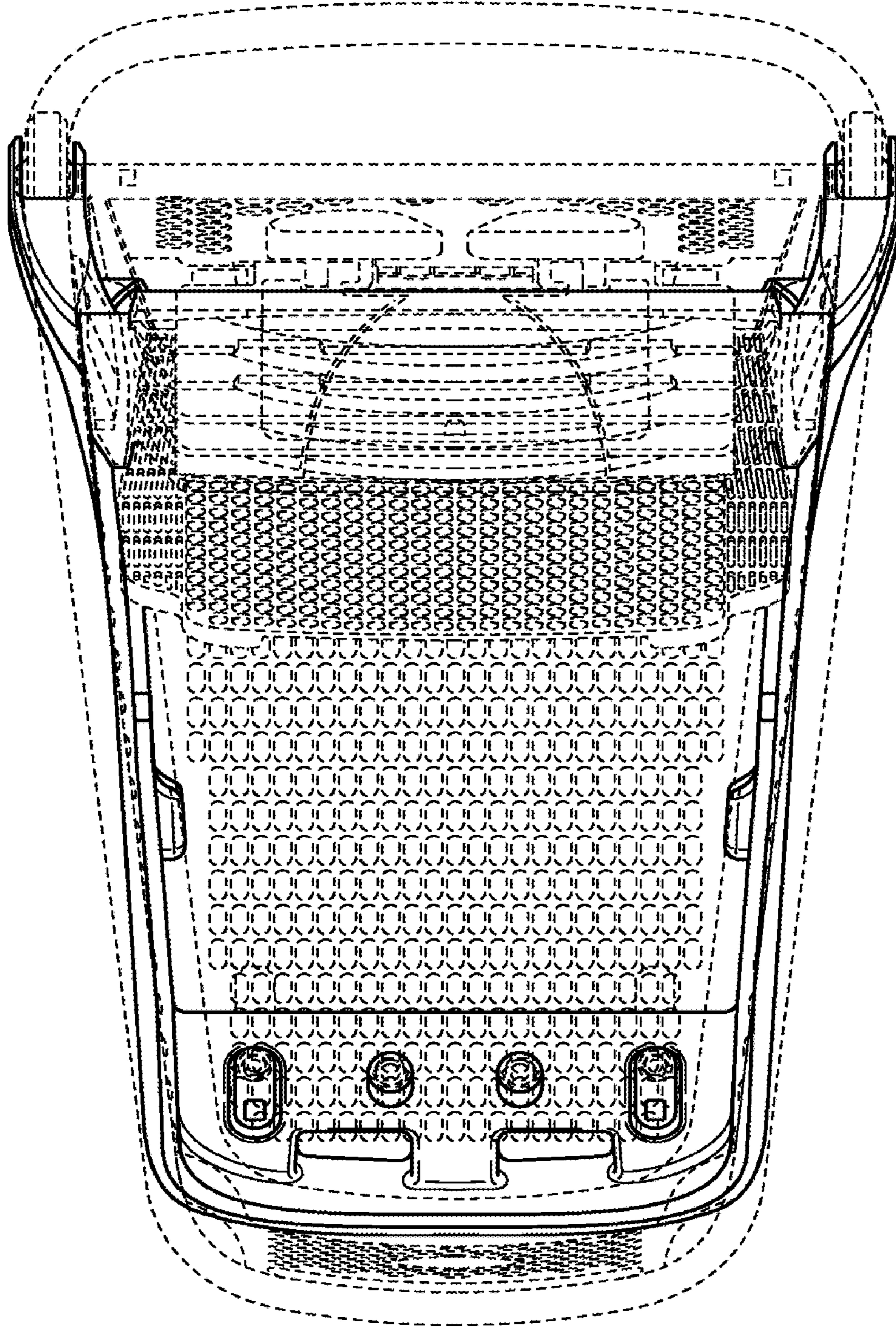


FIG. 6

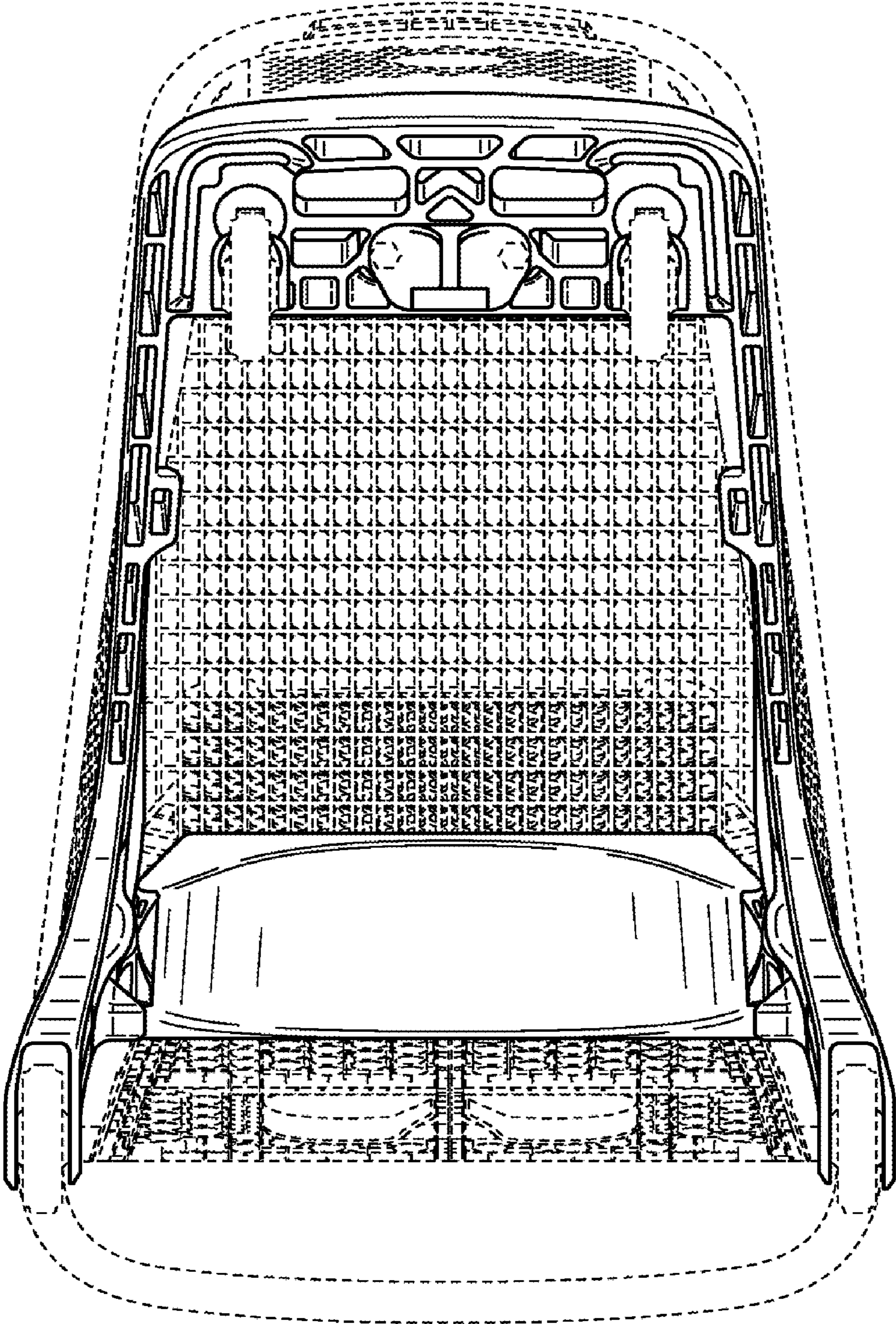


FIG. 7