



US00D644809S

(12) **United States Design Patent**  
**Walter**

(10) **Patent No.:** **US D644,809 S**  
(45) **Date of Patent:** **\*\* \*Sep. 6, 2011**

(54) **CART**  
(75) **Inventor:** **Ivor Michel Walter**, Boulder, CO (US)  
(73) **Assignee:** **AMSA, Inc.**, Boulder, CO (US)  
(\*\*) **Term:** **14 Years**  
(21) **Appl. No.:** **29/380,209**  
(22) **Filed:** **Dec. 1, 2010**

(51) **LOC (9) Cl.** ..... **12-02**  
(52) **U.S. Cl.** ..... **D34/21**  
(58) **Field of Classification Search** ..... D34/12-27;  
280/33.991, 33.993, 33.995, 33.996, 33.997,  
280/33.998, 47.34, 47.35  
See application file for complete search history.

(56) **References Cited**

**U.S. PATENT DOCUMENTS**

2,958,537	A *	11/1960	Young	.....	280/33.994
3,039,564	A *	6/1962	Shaukis	.....	186/63
4,560,180	A *	12/1985	Ulmer	.....	280/33.993
4,726,596	A *	2/1988	Ulmer	.....	280/33.994
5,211,410	A	5/1993	Trubiano		
D348,549	S *	7/1994	Trubiano	.....	D34/20
5,348,323	A	9/1994	Trubiano		
5,435,582	A *	7/1995	Davidson	.....	280/33.992
D367,348	S *	2/1996	Basharat	.....	D34/18
5,505,472	A *	4/1996	Trubiano	.....	280/33.993
5,507,507	A *	4/1996	Davidson	.....	280/33.991
5,553,876	A *	9/1996	Trubiano	.....	280/33.991
5,702,114	A	12/1997	Downing et al.		
5,961,133	A	10/1999	Perry		
6,126,181	A	10/2000	Ondrasik		
D463,647	S	9/2002	Deal et al.		
D472,026	S *	3/2003	Walter	.....	D34/20
D472,027	S *	3/2003	Walter	.....	D34/21
6,644,674	B2 *	11/2003	Simard	.....	280/33.991
D493,594	S	7/2004	Prather et al.		
6,932,363	B2 *	8/2005	D'Angelo	.....	280/33.991
D538,501	S *	3/2007	Walter	.....	D34/21
D550,423	S	9/2007	Splain et al.		

D566,372	S	4/2008	Walter		
D580,619	S *	11/2008	Walter	.....	D34/21
D583,523	S *	12/2008	Deal et al.	.....	D34/21
D584,023	S *	12/2008	Walter	.....	D34/12
D605,823	S *	12/2009	Walter	.....	D34/21
D606,723	S *	12/2009	Walter	.....	D34/21
D607,173	S *	12/2009	Selvig et al.	.....	D34/21
D633,269	S *	2/2011	Walter	.....	D34/21
2001/0022436	A1 *	9/2001	Simard	.....	280/33.991
2003/0151219	A1 *	8/2003	Simard	.....	280/47.35

(Continued)

**OTHER PUBLICATIONS**

Peggs KNM075GT Scan of website [http://www.thepeggscompany.com/shopping\_carts/large\_view/2\_tier.html] showing prior art cart manufactured by Peggs. Cart shown is admitted prior art to current design by Applicant.

(Continued)

*Primary Examiner* — Cynthia Ramirez

(74) *Attorney, Agent, or Firm* — Margaret Polson; Oppedahl Patent Law Firm LLC

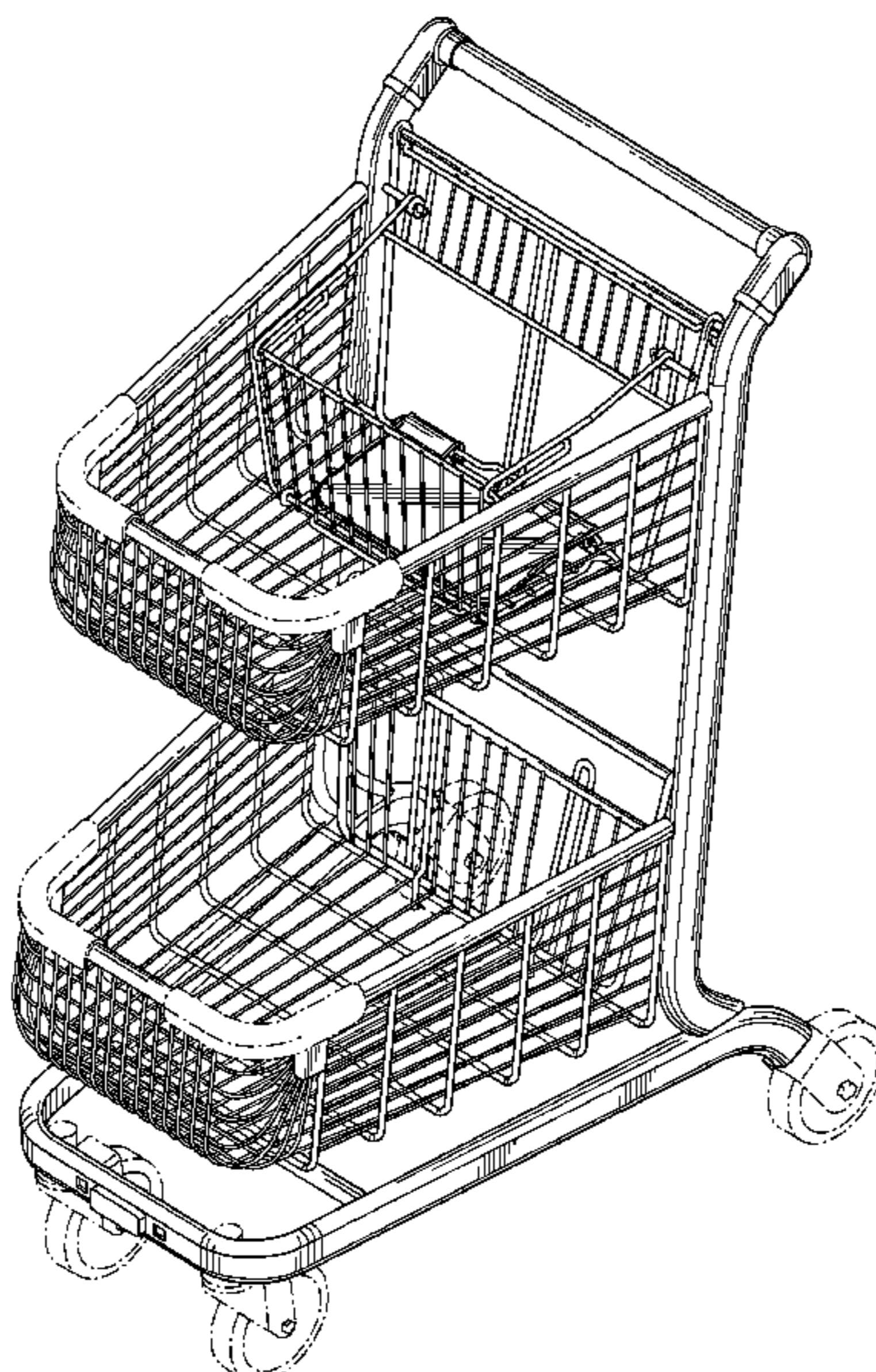
(57) **CLAIM**

The ornamental design for a cart, as shown and described.

**DESCRIPTION**

FIG. 1 is a front perspective view of a cart showing my new design;  
FIG. 2 is a side elevation view of the right and left sides, which are mirror images, of FIG. 1.  
FIG. 3 is a front side elevation view of FIG. 1.  
FIG. 4 is a back side elevation view of FIG. 1.  
FIG. 5 is a top plan view of FIG. 1; and,  
FIG. 6 is a bottom plan view of FIG. 1.  
The broken line showing of the wheels and bumpers is included for the purpose of illustrating environment and forms no part of the claimed design.

**1 Claim, 5 Drawing Sheets**



## U.S. PATENT DOCUMENTS

2004/0051263 A1 3/2004 Prather et al.

## OTHER PUBLICATIONS

Technibilt 5141-D Scan of website [<http://www.technibilt.com/carts/detail.php?id=36>] showing prior art cart manufactured by Techibilt.

Cart shown is admitted prior art to current design by Applicant.

Technibilt 5341 Scan of website [<http://www.technibilt.com/carts/detail.php?id=30>] showing prior art cart manufactured by Techibilt.

Cart shown is admitted prior art to current design by Applicant.

Technibilt 5640 Scan of website [<http://www.technibilt.com/carts/detail.php?id=28>] showing prior art cart manufactured by Techibilt.

Cart shown is admitted prior art to current design by Applicant.

U.S. Appl. No. 29/377,913 filed Oct. 27, 2010; Inventor: Ivor Michel Walter. Copy not provided as application is available in IFW system per 37 CFR 1.98(a)(2)(iii).

U.S. Appl. No. 29/379,137 filed Nov. 15, 2010; Inventor: Ivor Michel Walter. Copy not provided as application is available in IFW system per 37 CFR 1.98(a)(2)(iii).

U.S. Appl. No. 29/380,622 filed Dec. 8, 2010; Inventor: Ivor Michel Walter. Copy not provided as application is available in IFW system per 37 CFR 1.98(a)(2)(iii).

U.S. Appl. No. 29/384,899 filed Feb. 4, 2011; Inventor: Ivor Michel Walter. Copy not provided as application is available in IFW system per 37 CFR 1.98(a)(2)(iii).

U.S. Appl. No. 29/385,395 filed Feb. 14, 2011; Inventor: Ivor Michel Walter. Copy not provided as application is available in IFW system per 37 CFR 1.98(a)(2)(iii).

U.S. Appl. No. 29/388,081 filed Mar. 23, 2011; Inventor: Ivor Michel Walter. Copy not provided as application is available in IFW system per 37 CFR 1.98(a)(2)(iii).

U.S. Appl. No. 29/388,157 filed Mar. 24, 2011; Inventor: Ivor Michel Walter. Copy not provided as application is available in IFW system per 37 CFR 1.98(a)(2)(iii).

U.S. Appl. No. 29/388,922 filed Apr. 4, 2011; Inventor: Ivor Michel Walter. Copy not provided as application is available in IFW system per 37 CFR 1.98(a)(2)(iii).

VersaCart Systems Child Seat for EXpress Cart (old version) Drawing and photos of previous version of a child seat for use in a shopping cart. This version of the child seat was publicly displayed in Apr. 2007 (4 pages).

VersaCart Systems Child Seat for EXpress Cart (version 1) Photos of previous version of a child seat for use in a shopping cart. This version of the child seat was publicly displayed in Oct. 2009 (3 pages).

\* cited by examiner

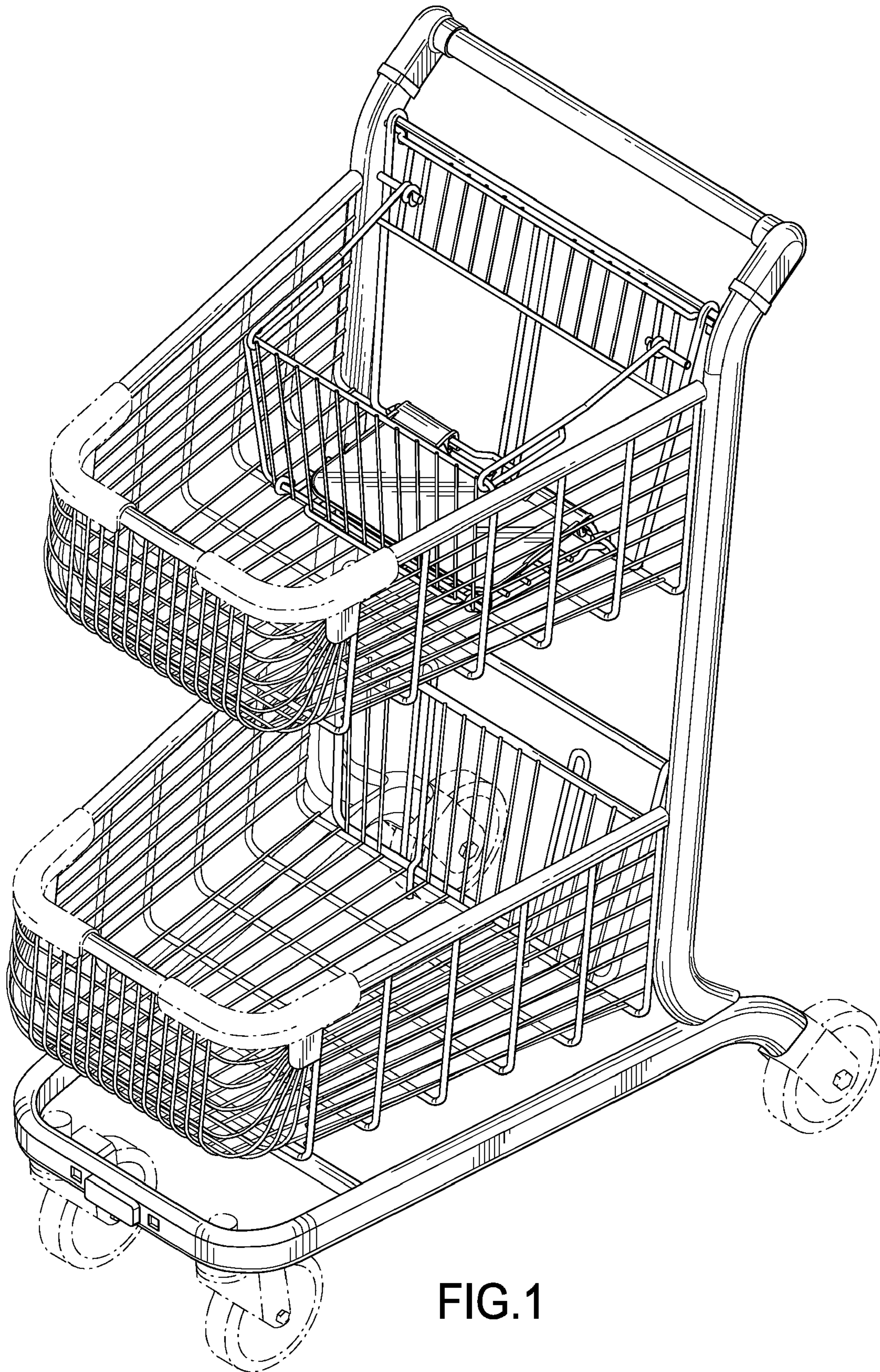


FIG.1

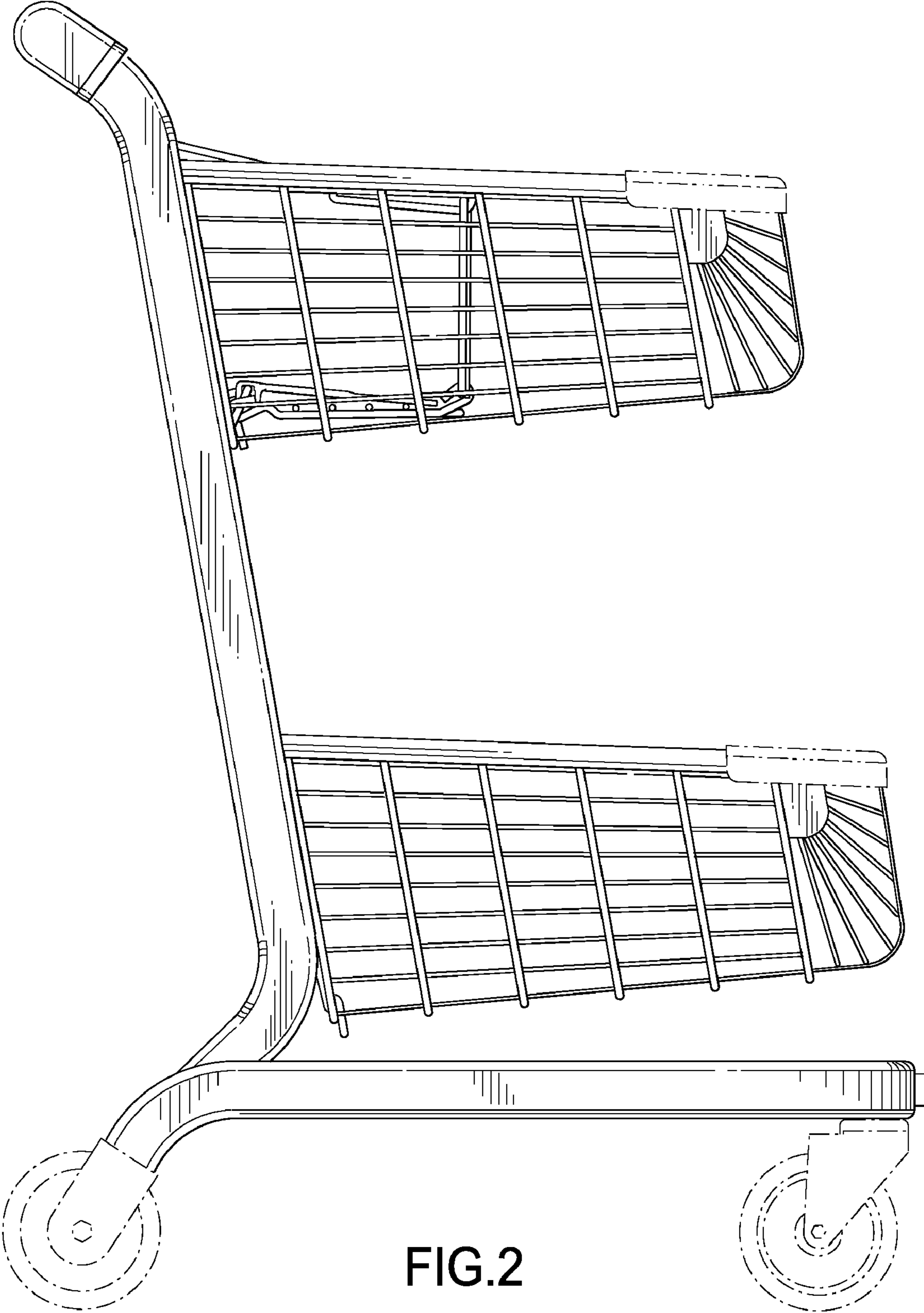


FIG.2

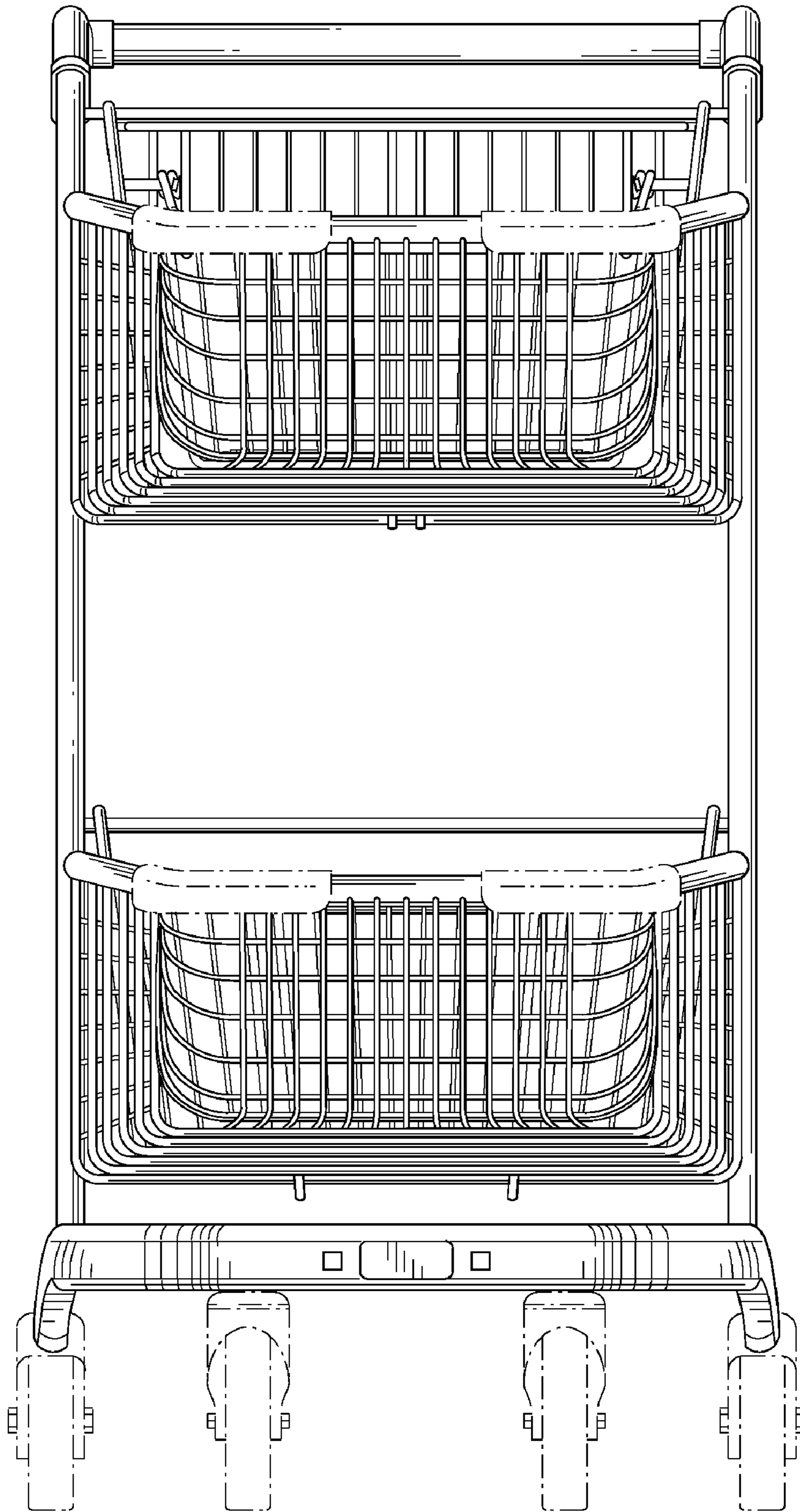


FIG.3

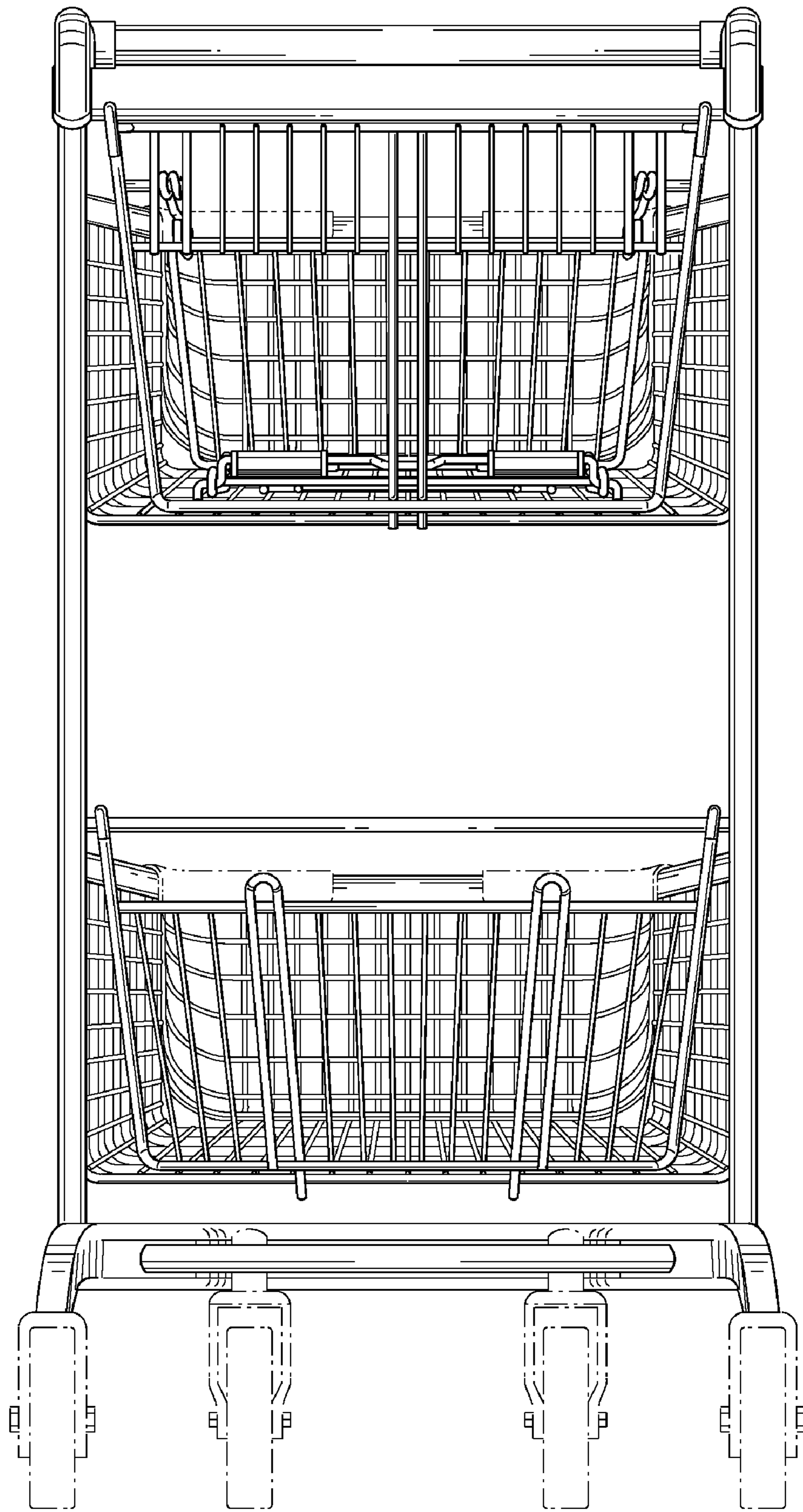


FIG4

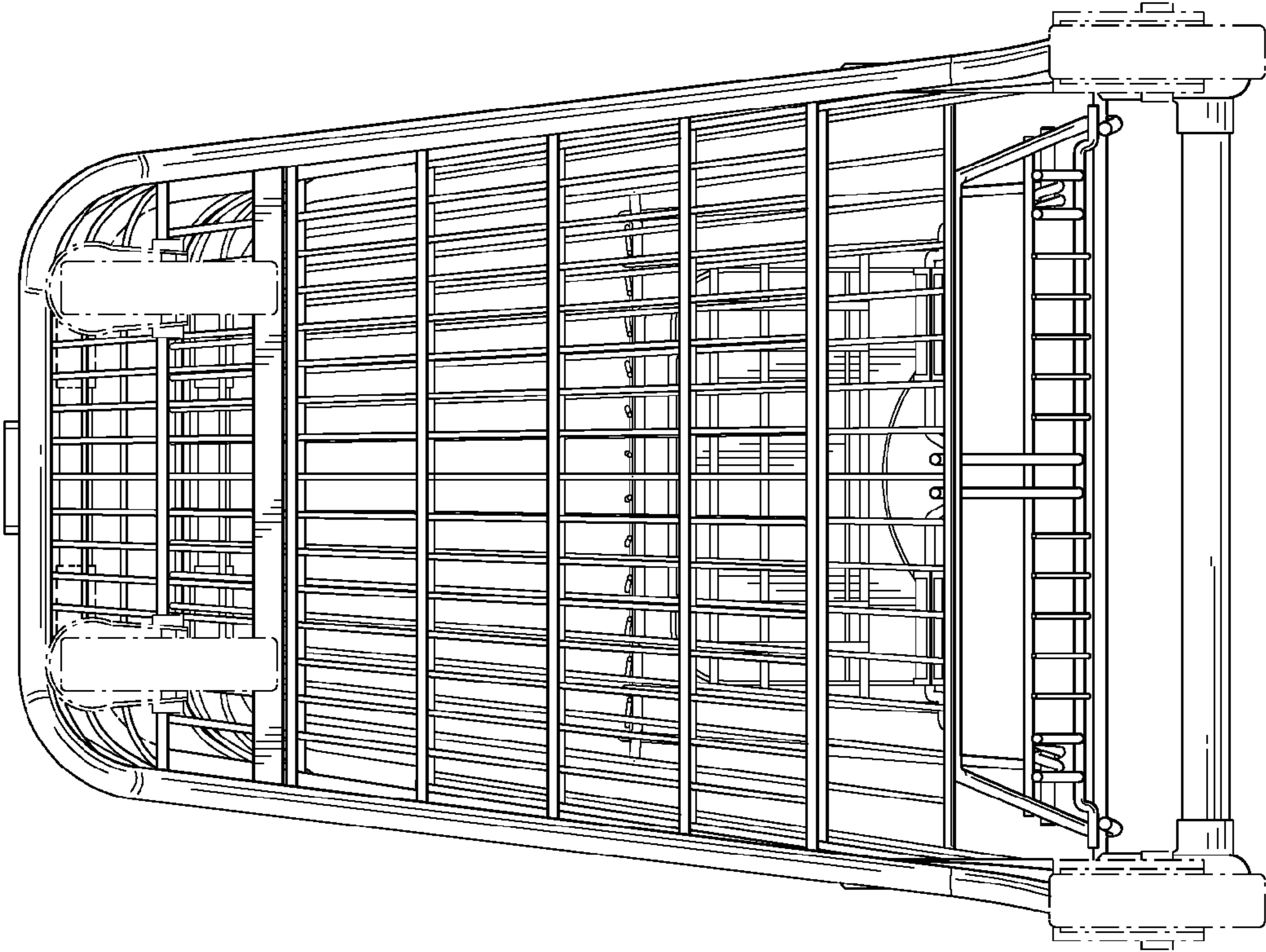


FIG. 6

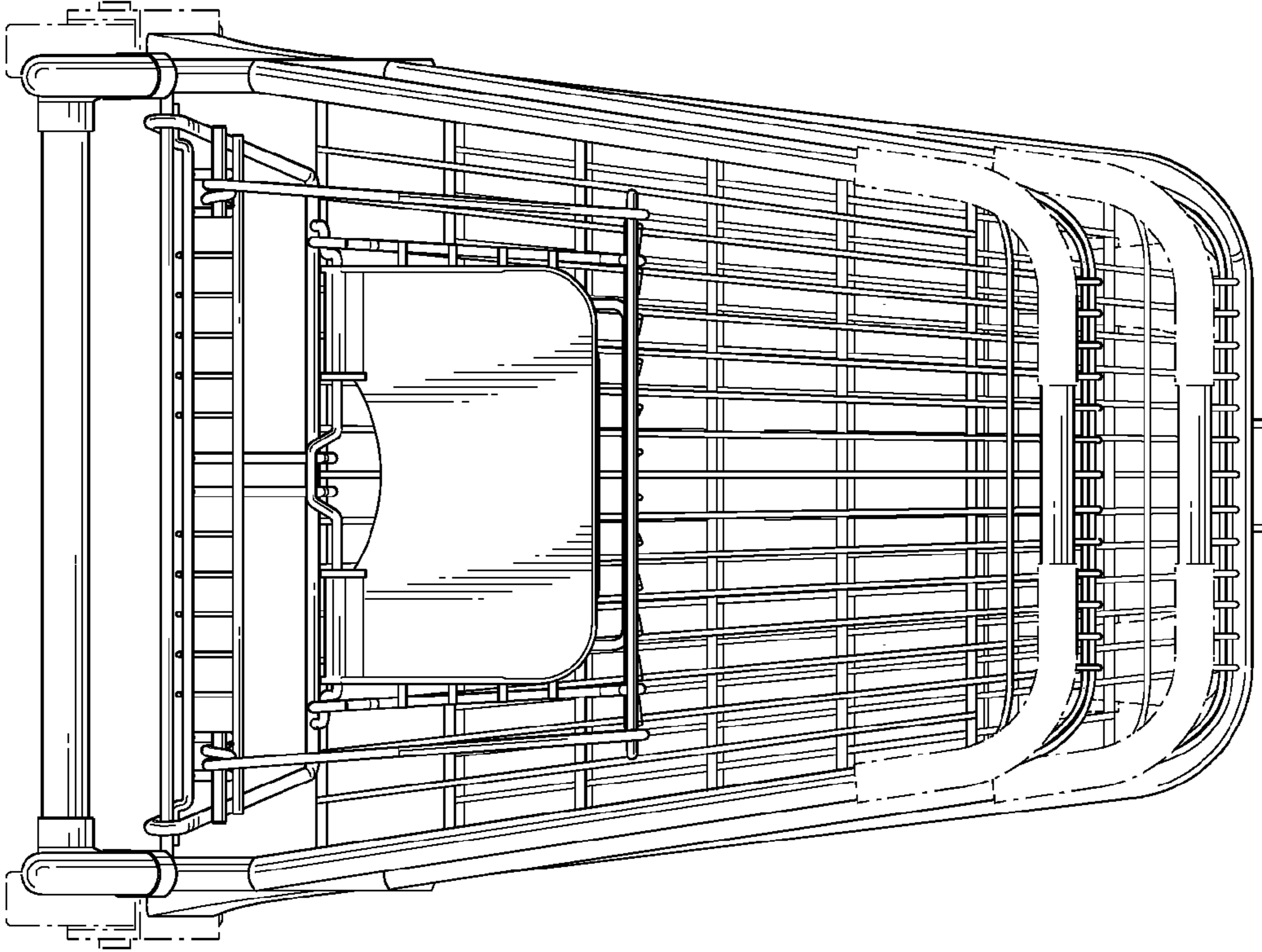


FIG. 5

UNITED STATES PATENT AND TRADEMARK OFFICE  
**CERTIFICATE OF CORRECTION**

PATENT NO. : D644,809 S  
APPLICATION NO. : 29/380209  
DATED : September 6, 2011  
INVENTOR(S) : Walter et al.

Page 1 of 1

It is certified that error appears in the above-identified patent and that said Letters Patent is hereby corrected as shown below:

Title Page, Item (12) delete "Walter" and insert --Walter et al.--.

Title Page, Item (75) Inventor, should read:

--(75) Inventors: Ivor Michel Walter, Boulder, CO (US); Ning Siu Sin, Hong Kong (CN)--.

Signed and Sealed this  
Seventeenth Day of May, 2016



Michelle K. Lee  
*Director of the United States Patent and Trademark Office*