



US00D644808S

(12) **United States Design Patent**  
**Kaczmarek**

(10) **Patent No.:** **US D644,808 S**

(45) **Date of Patent:** **\*\* Sep. 6, 2011**

(54) **MATTRESS MOVER**

(76) **Inventor:** **Ronald E. Kaczmarek**, Sagamore Hills,  
OH (US)

(\*\*) **Term:** **14 Years**

(21) **Appl. No.:** **29/372,784**

(22) **Filed:** **Jan. 12, 2011**

(51) **LOC (9) Cl.** ..... **12-02**

(52) **U.S. Cl.** ..... **D34/18**

(58) **Field of Classification Search** ..... D34/12-27;  
280/47.34, 47.35, 79.3, 47.19, 47.18, 40

See application file for complete search history.

D251,550 S \* 4/1979 Bladis ..... D34/17  
D264,759 S \* 6/1982 Schilling et al. .... D34/17  
D286,698 S \* 11/1986 Spicer ..... D34/23  
D349,799 S \* 8/1994 Caldwell et al. .... D34/26

\* cited by examiner

*Primary Examiner* — Cynthia Ramirez

(74) *Attorney, Agent, or Firm* — James A. Hudak

(57) **CLAIM**

I claim the ornamental design of a mattress mover, as shown and described.

**DESCRIPTION**

FIG. 1 is a perspective view of the mattress mover, showing my new design;

FIG. 2 is a top plan view thereof;

FIG. 3 is a bottom plan view thereof;

FIG. 4 is a front elevational view thereof;

FIG. 5 is a rear elevational view thereof; and,

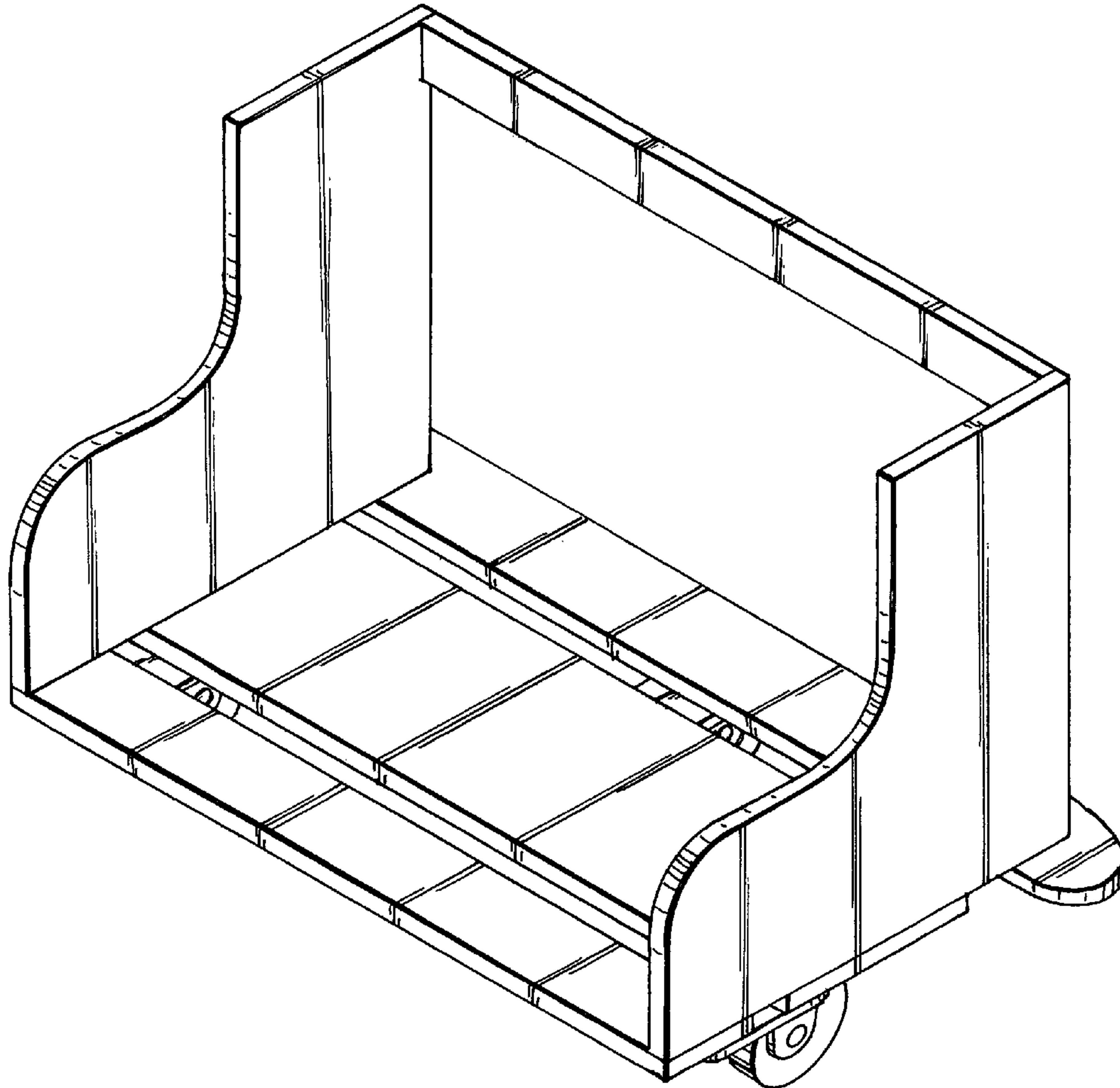
FIG. 6 is a right side elevational view thereof, the left side elevational view being a mirror image of same.

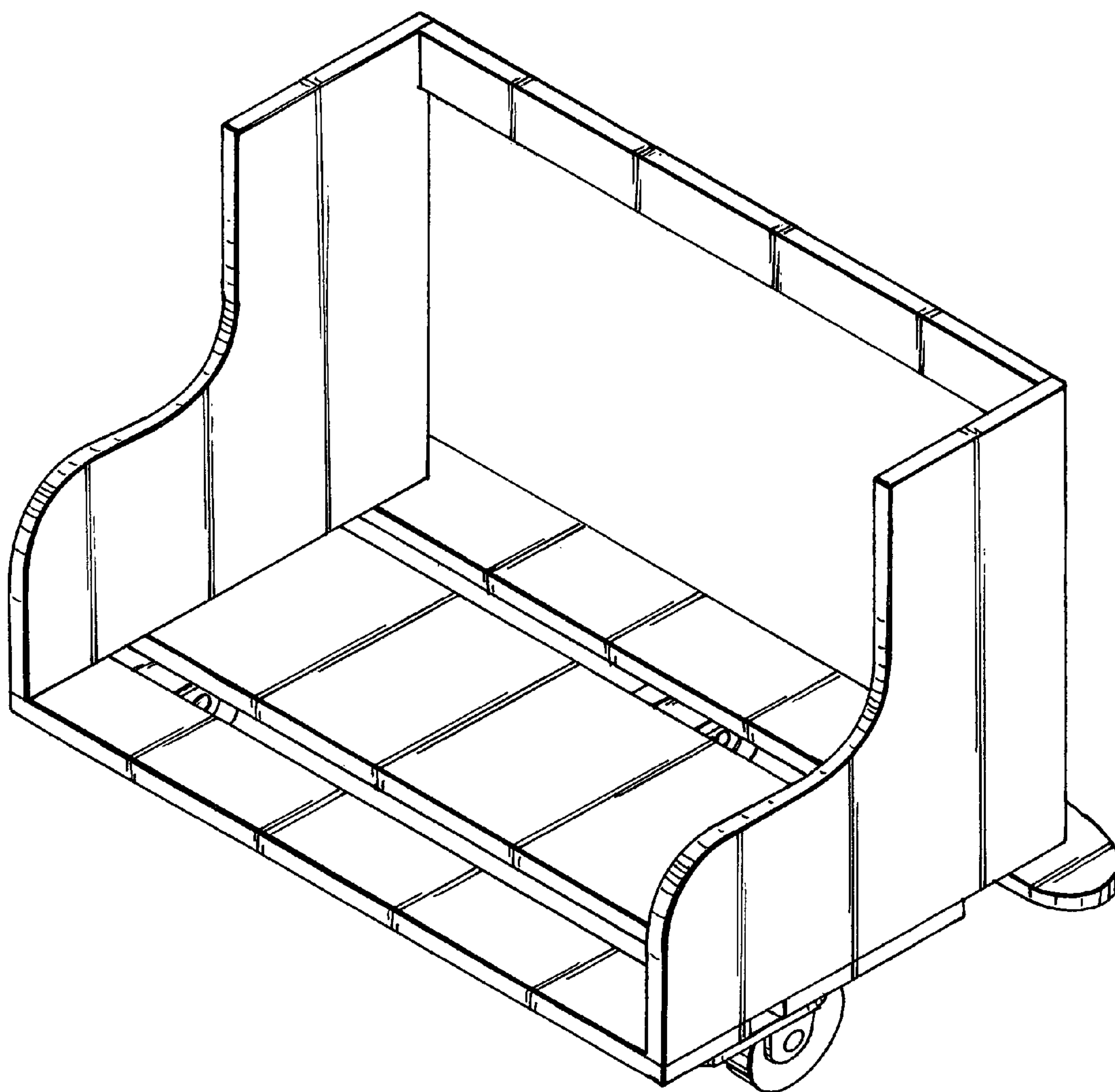
**1 Claim, 4 Drawing Sheets**

(56) **References Cited**

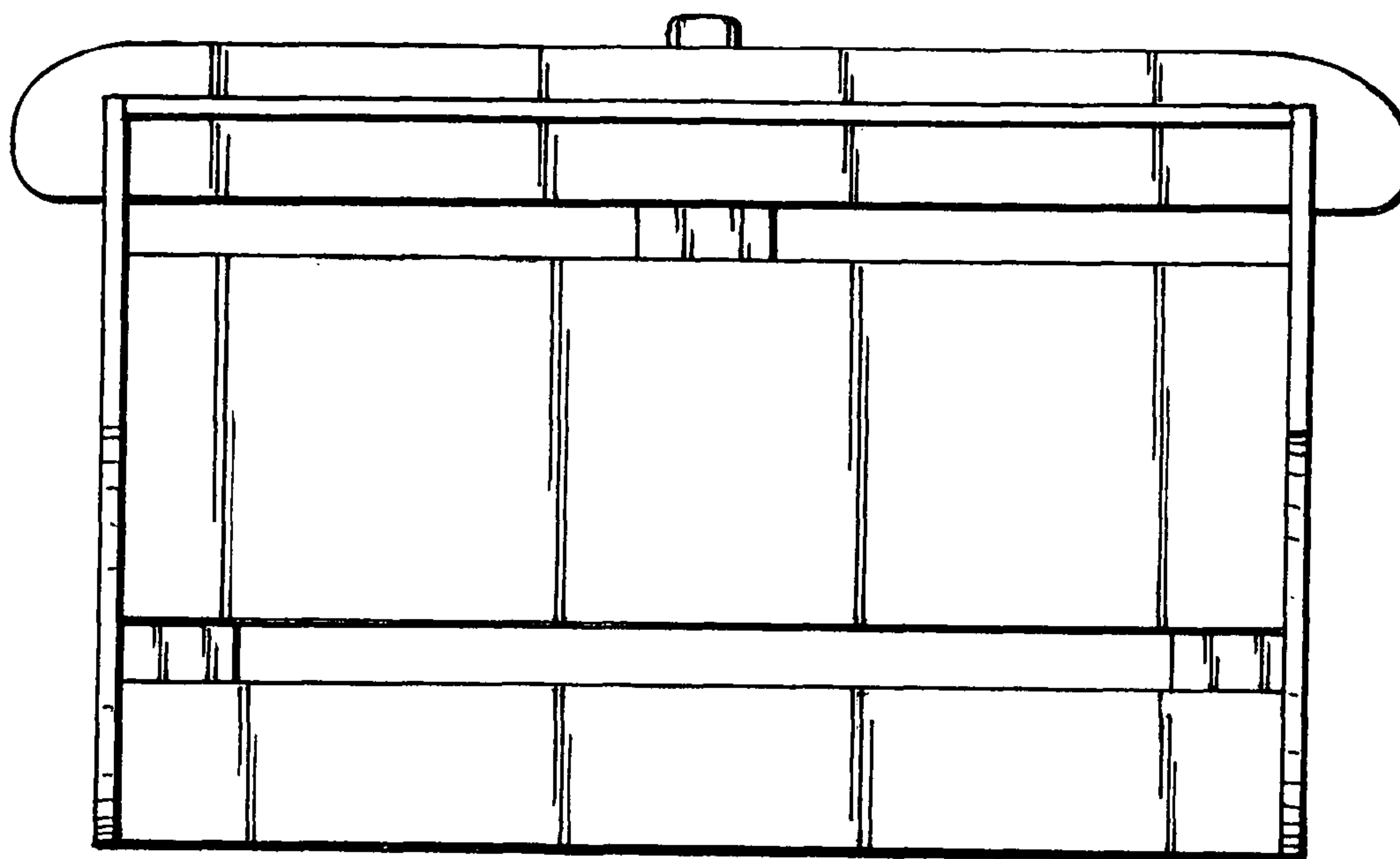
**U.S. PATENT DOCUMENTS**

471,010	A *	3/1892	Marshall	248/129
2,820,643	A *	1/1958	Cohn	280/659
3,047,305	A *	7/1962	Kleinschmidt	280/651
3,166,339	A *	1/1965	Earley	280/654
3,276,550	A *	10/1966	Honeyman	188/29
D217,544	S *	5/1970	Green	D34/22
3,857,579	A *	12/1974	Hoodenpyle	280/47.2
D242,536	S *	11/1976	Becker, III et al.	D34/17

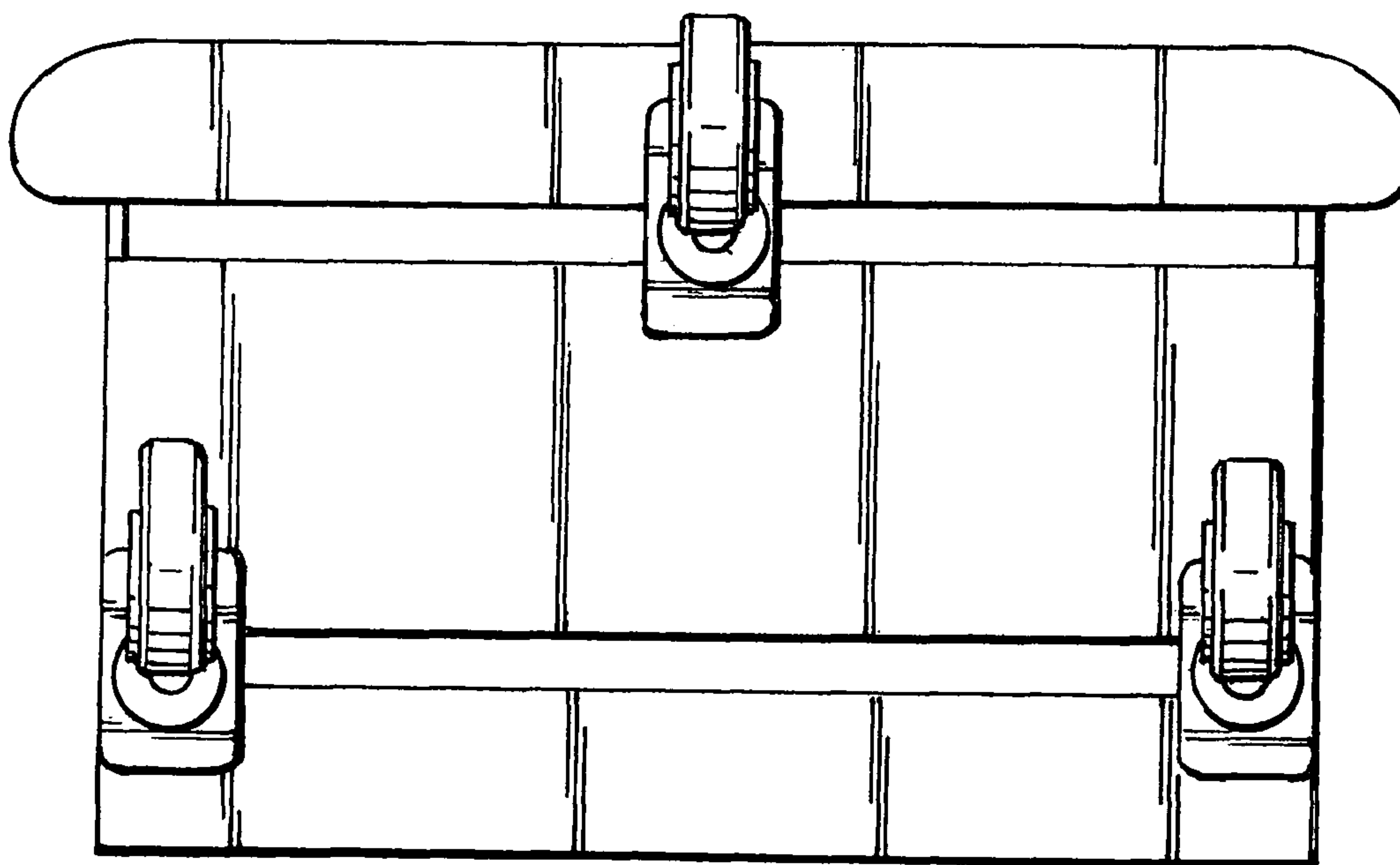




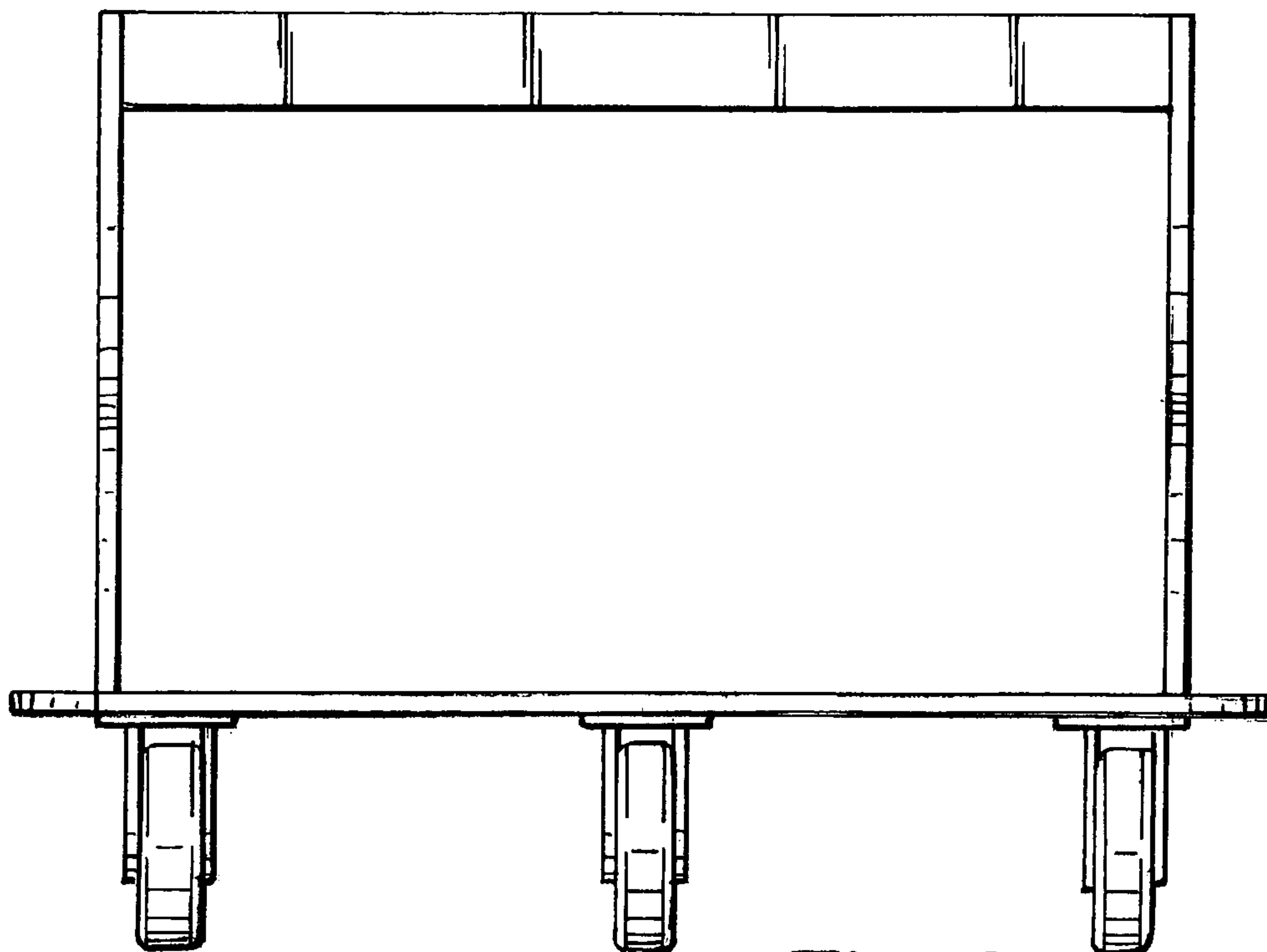
*Fig. 1*



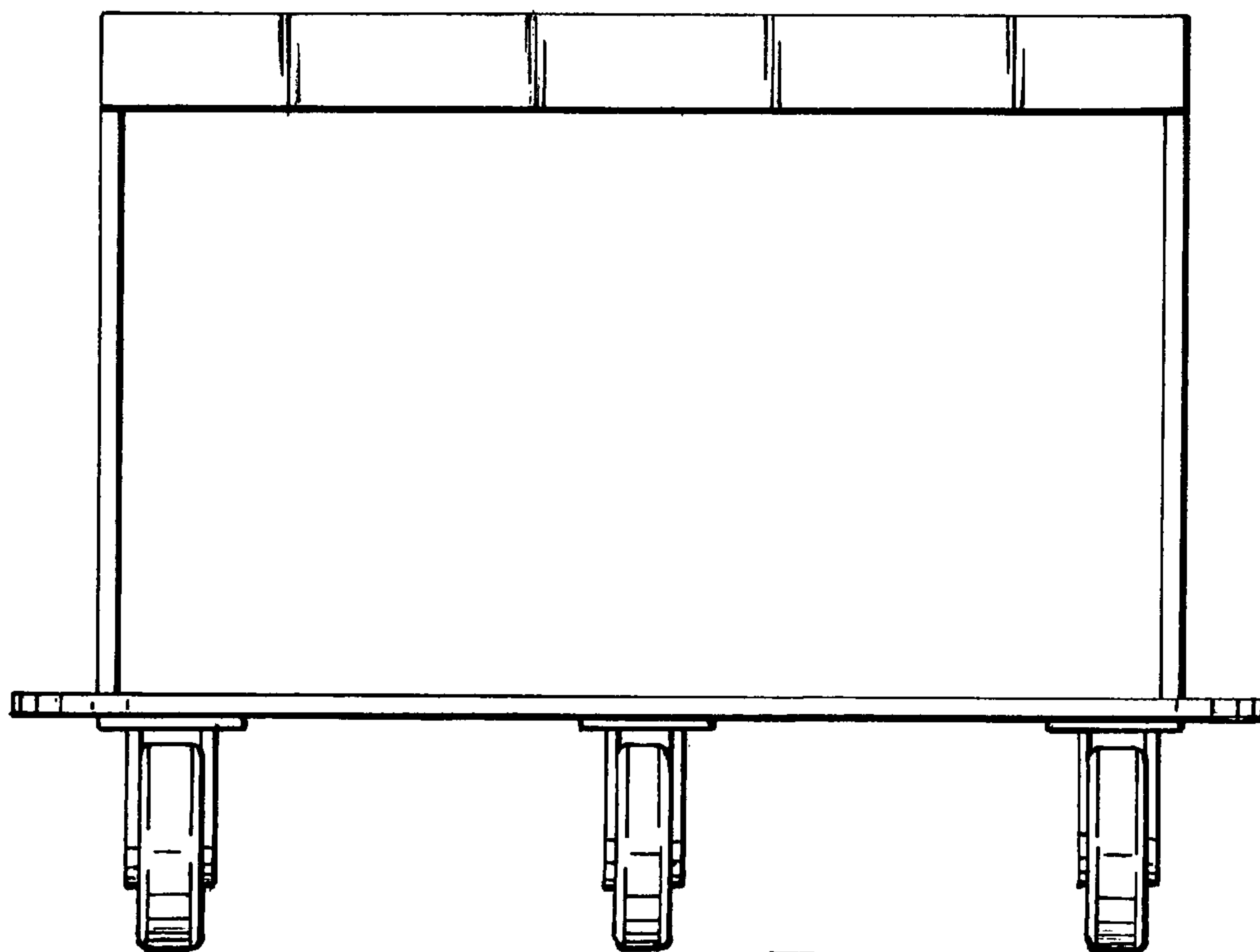
*Fig. 2*



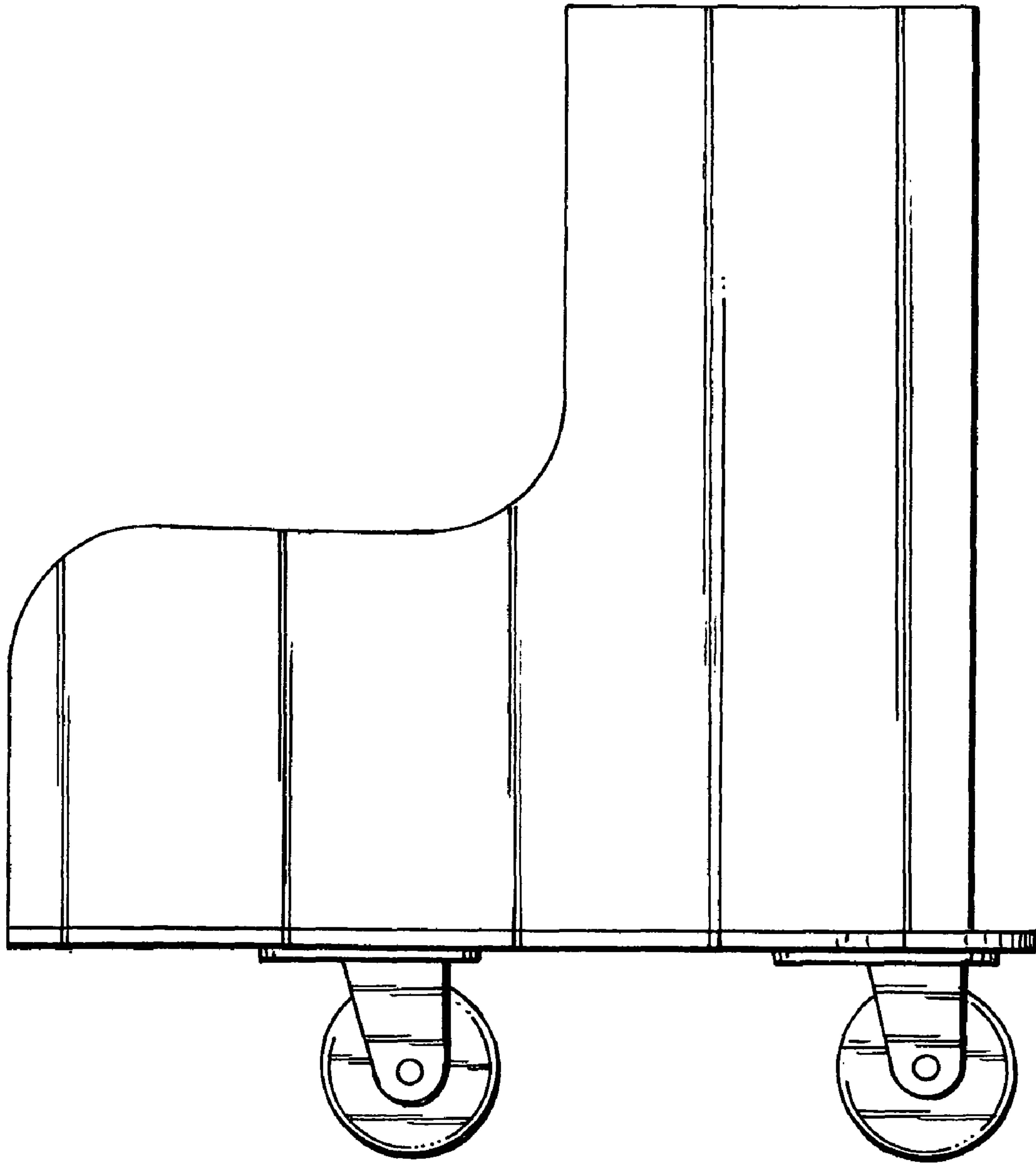
*Fig. 3*



*Fig. 4*



*Fig. 5*



*Fig. 6*