



US00D644807S

(12) **United States Design Patent**
Yang et al.

(10) **Patent No.:** **US D644,807 S**

(45) **Date of Patent:** **** Sep. 6, 2011**

(54) **SLIM OPEN TRASH CAN**

(75) Inventors: **Frank Yang**, Rancho Palos Verdes, CA (US); **Tzu-Hao Wei**, Hacienda Heights, CA (US); **Di-Fong Chang**, Torrance, CA (US); **Po-Ling Huang**, Brussels (BE)

(73) Assignee: **simplehumans, LLC**, Torrance, CA (US)

(**) Term: **14 Years**

(21) Appl. No.: **29/379,789**

(22) Filed: **Nov. 24, 2010**

(51) **LOC (9) Cl.** **09-09**

(52) **U.S. Cl.** **D34/1**

(58) **Field of Classification Search** D34/1,
D34/5, 6, 7, 8, 9, 10, 11; 220/908, 908.1,
220/910, 913

See application file for complete search history.

(56) **References Cited**

U.S. PATENT DOCUMENTS

D476,456 S * 6/2003 Englert et al. D34/7

D623,817 S * 9/2010 Yang et al. D34/7

D625,068 S * 10/2010 Shannon D34/1
D627,533 S * 11/2010 Yang et al. D34/7
D635,319 S * 3/2011 Meyerhoffer D34/7

* cited by examiner

Primary Examiner — Cynthia Ramirez

(74) *Attorney, Agent, or Firm* — Monument IP Law Group

(57) **CLAIM**

The ornamental design for a slim open trash can, as shown and described.

DESCRIPTION

FIG. 1 shows a front, right, and top perspective view of an embodiment thereof;

FIG. 2 shows a front elevational view thereof, and the rear elevational view is a mirror image thereof;

FIG. 3 shows a right side elevational view thereof, wherein the left side elevational view is a mirror image thereof;

FIG. 4 shows a top plan view thereof; and,

FIG. 5 shows a bottom plan view thereof.

All features illustrated in phantom line are expressly disclaimed and form no part of the claimed design.

The trash can in accordance with the present design can have any length, as indicated by the indefinite line length breaks in FIGS. 1-3.

1 Claim, 5 Drawing Sheets

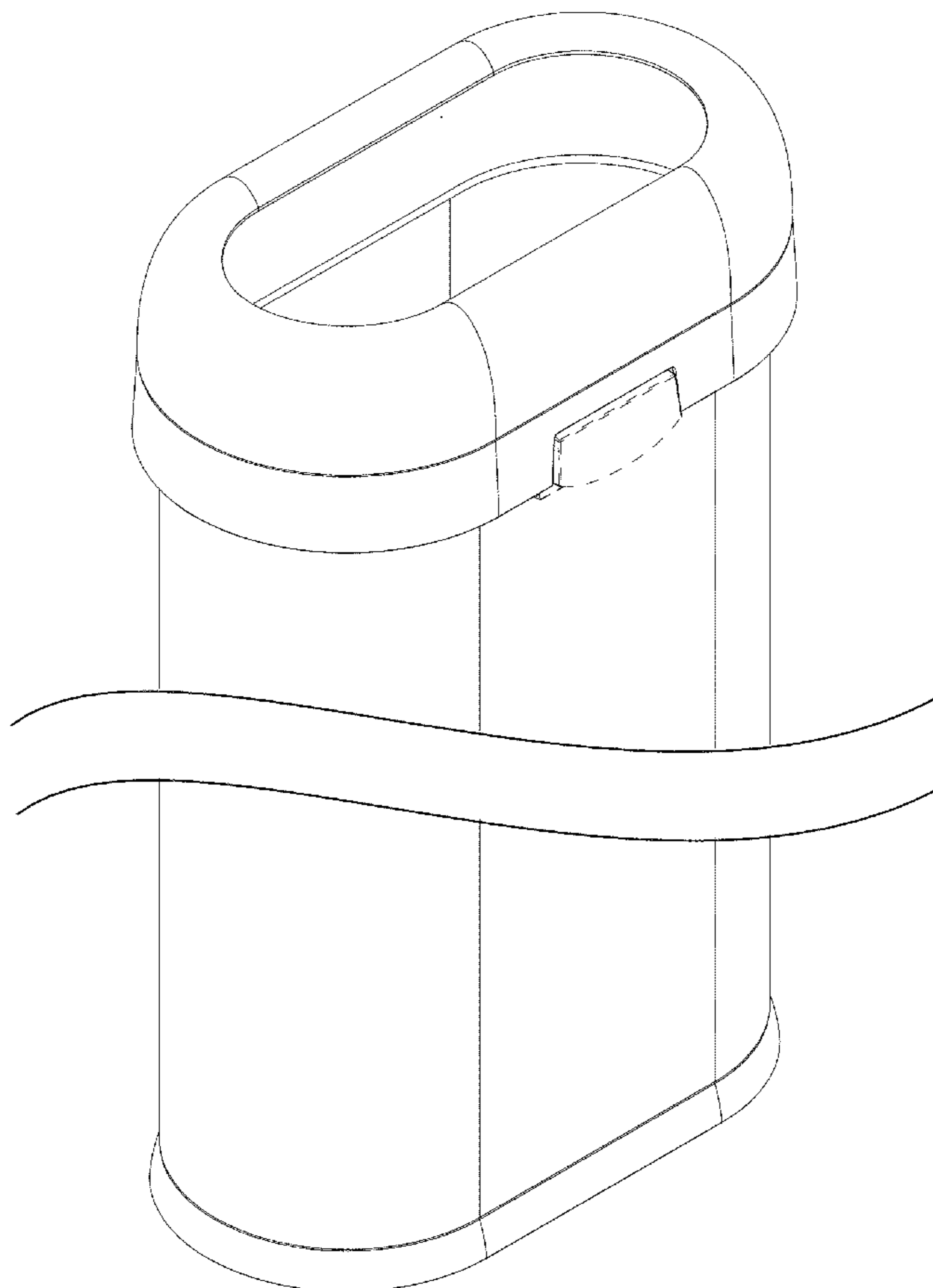


FIG. 1

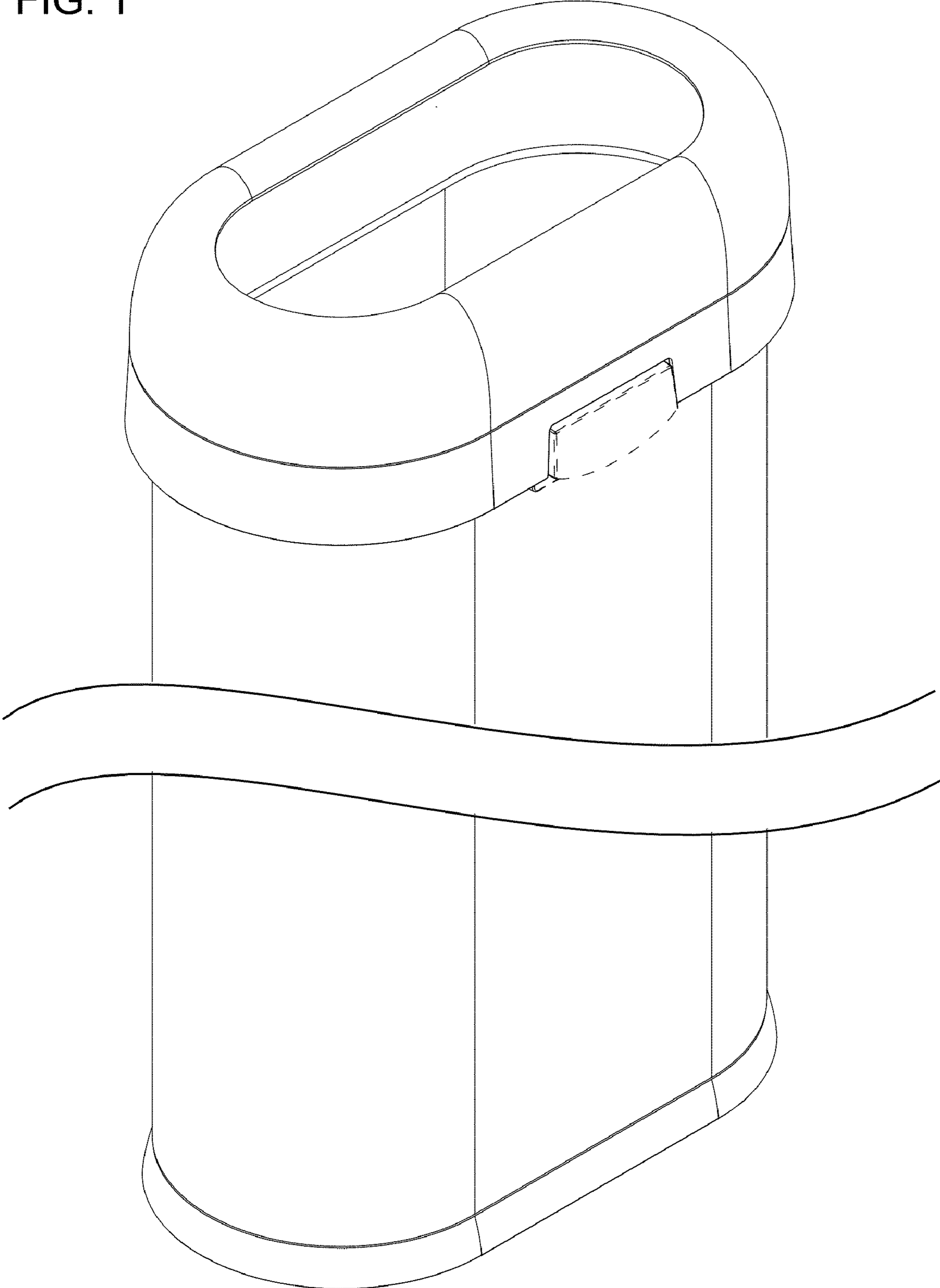


FIG. 2

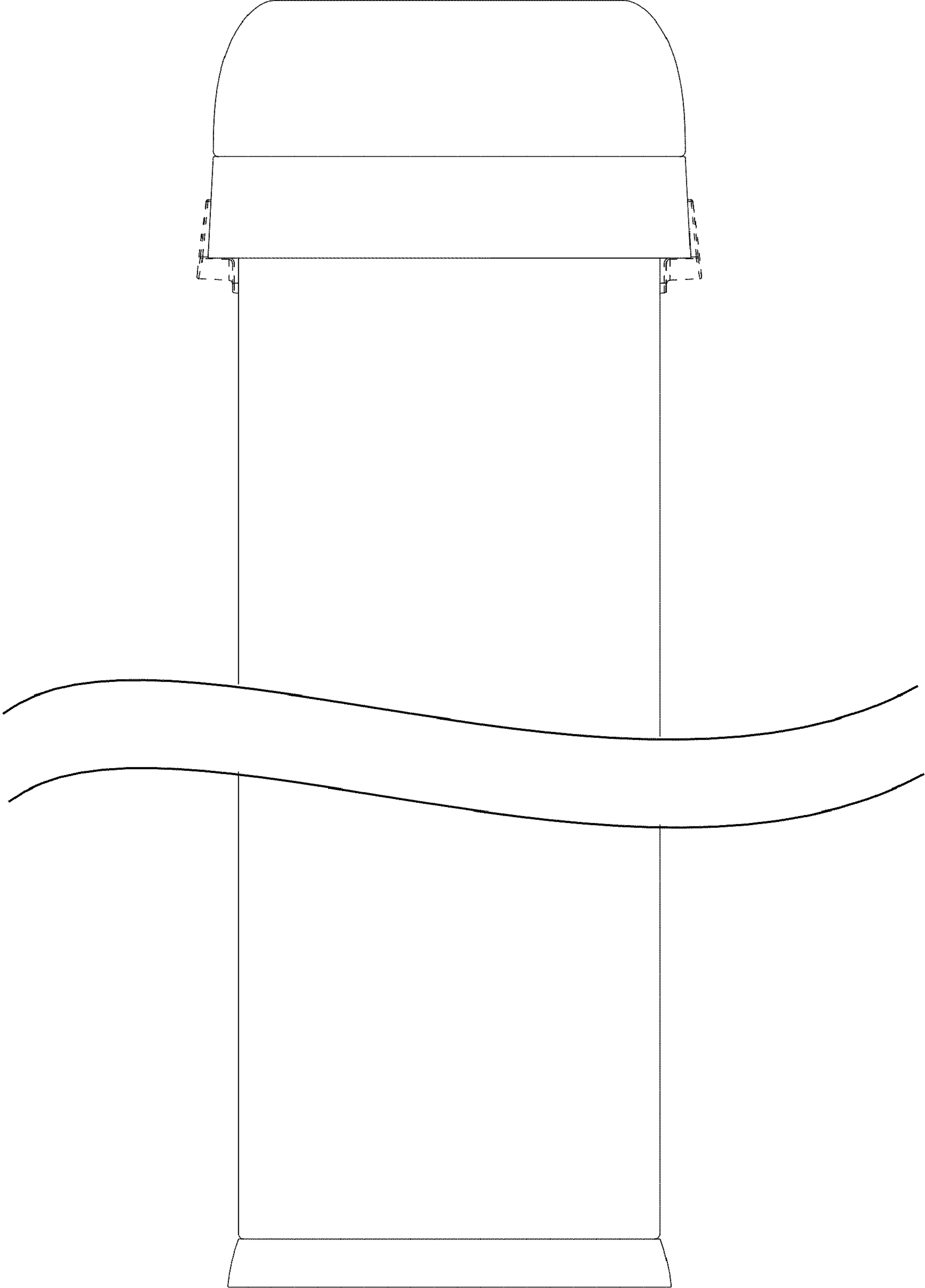


FIG. 3

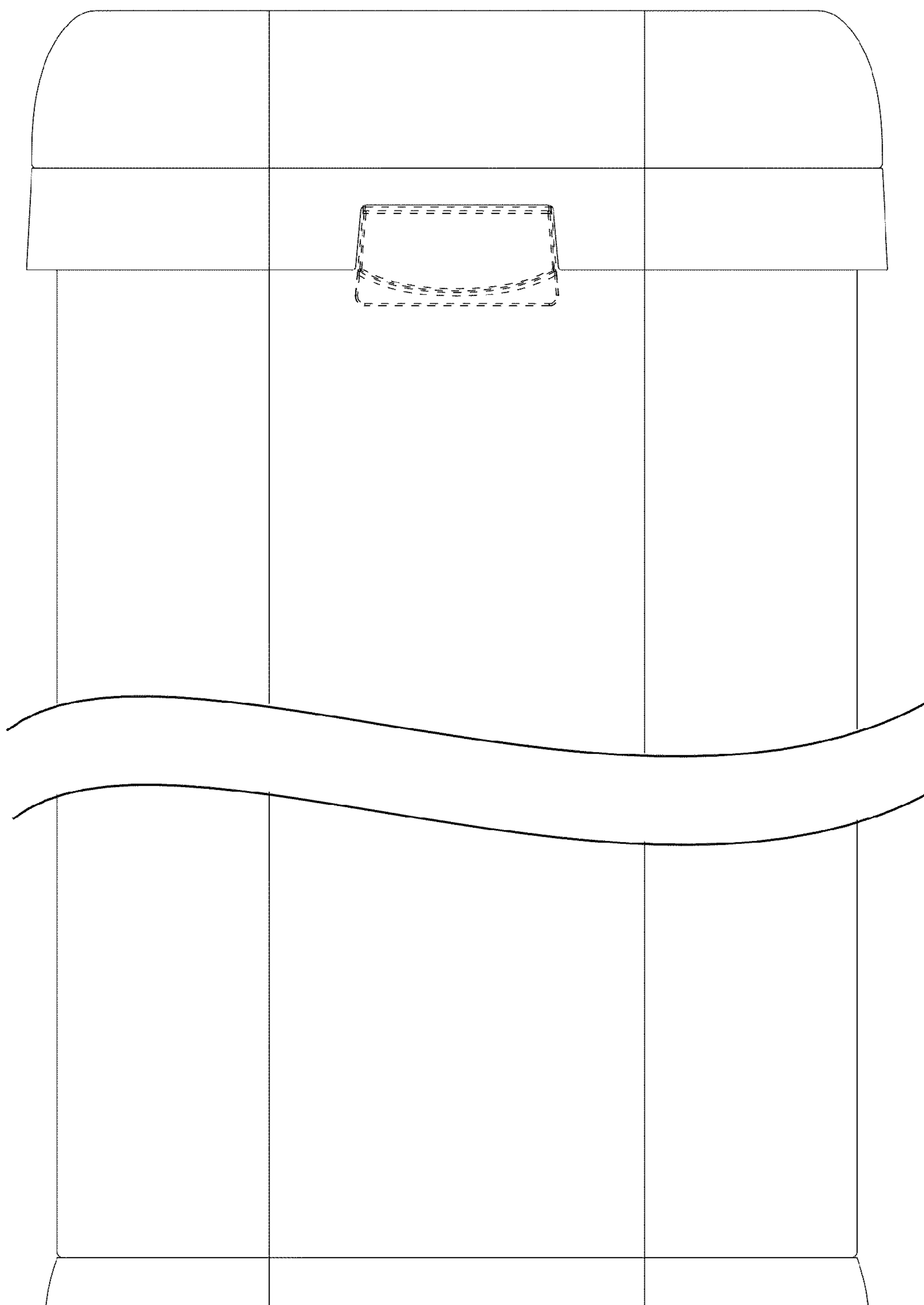


FIG. 4

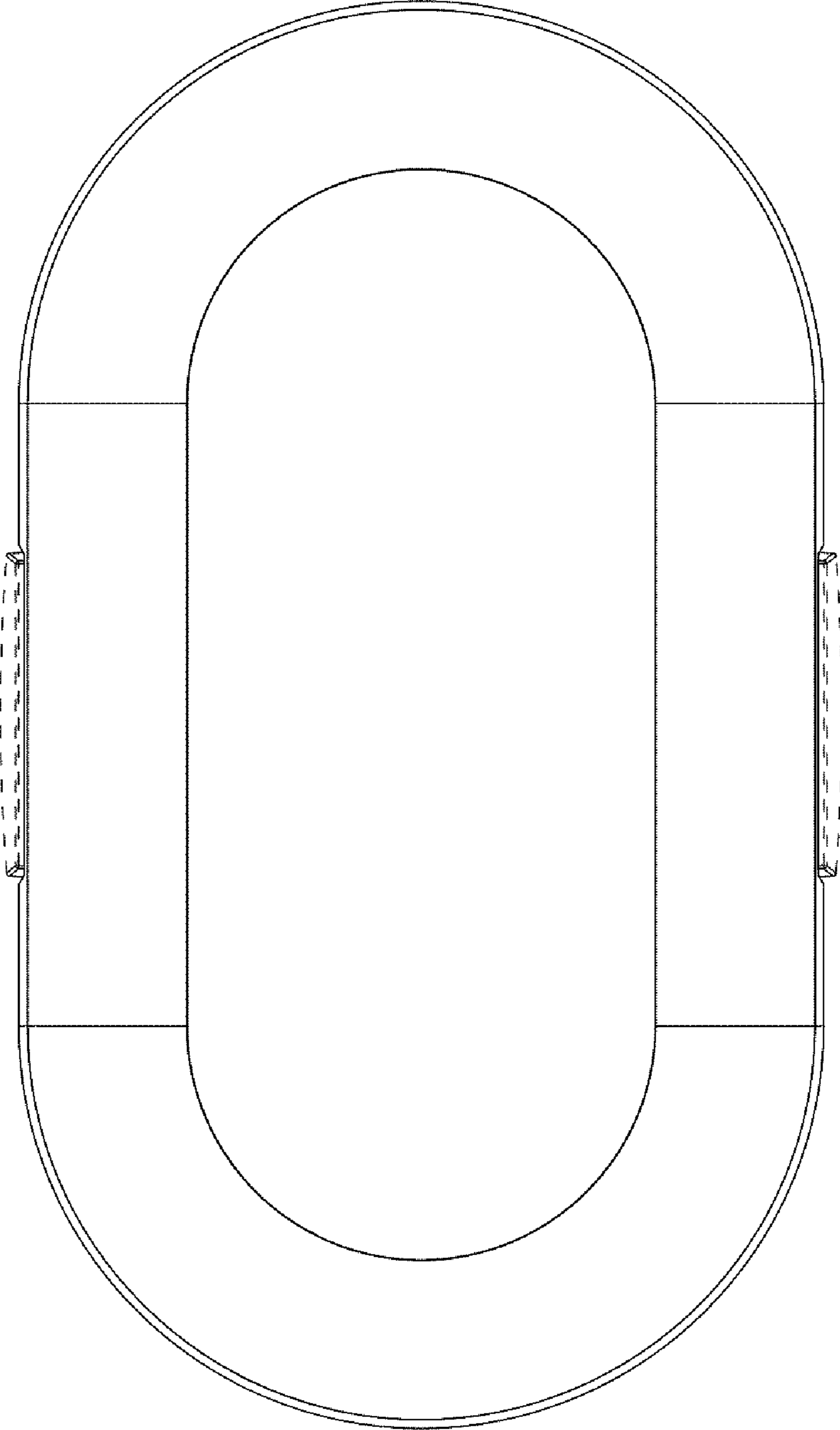
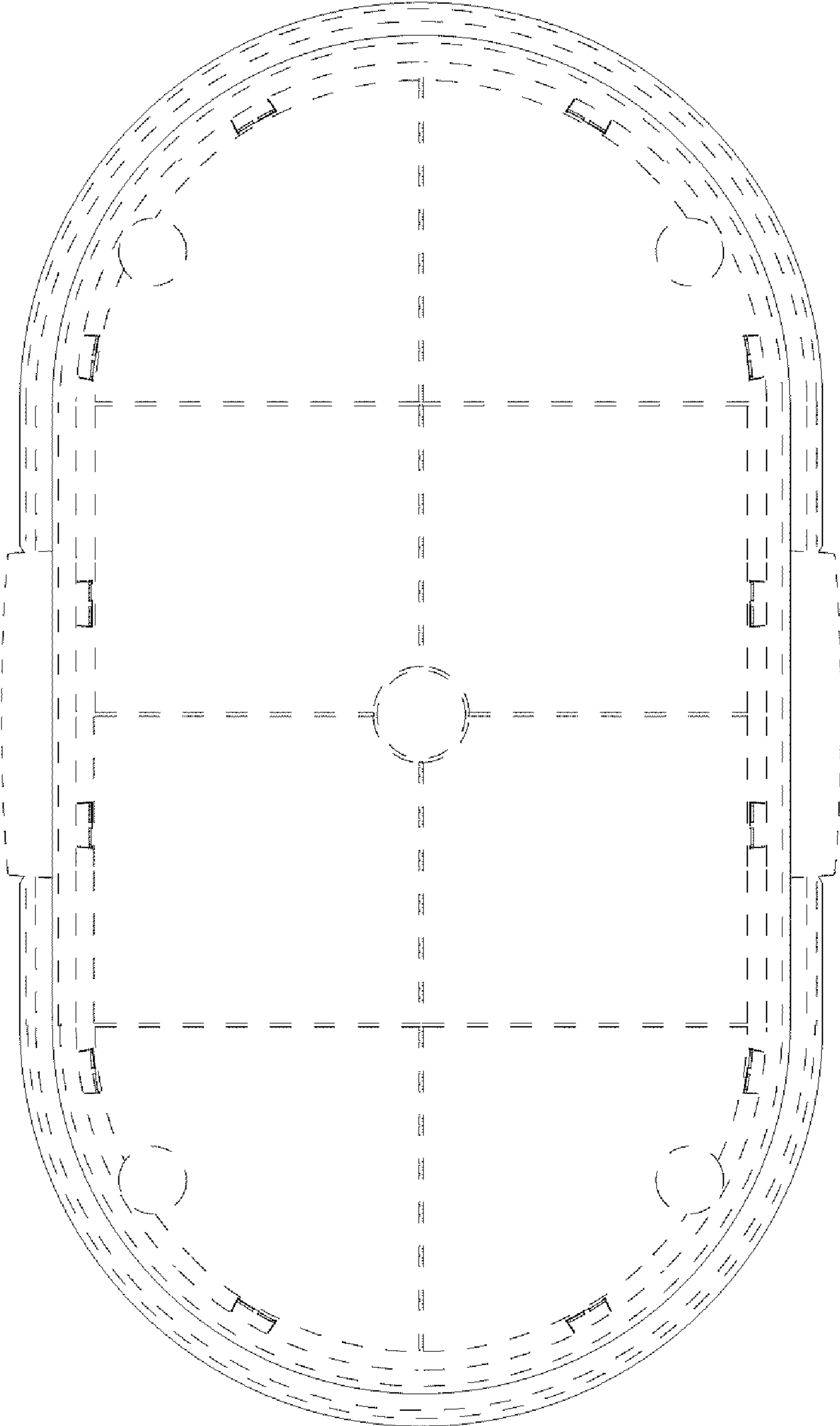


FIG. 5





US00D644807C1

(12) **EX PARTE REEXAMINATION CERTIFICATE** (147th)
Ex Parte Reexamination Ordered under 35 U.S.C. 257

United States Patent
Yang et al.

(10) **Number:** **US D644,807 C1**
(45) **Certificate Issued:** **Mar. 22, 2019**

(54) **SLIM OPEN TRASH CAN**

(75) Inventors: **Frank Yang**, Rancho Palos Verdes, CA (US); **Tzu-Hao Wei**, Hacienda Heights, CA (US); **Di-Fong Chang**, Torrance, CA (US); **Po-Ling Huang**, Brussels (BE)

(73) Assignee: **SIMPLEHUMAN, LLC**, Torrance, CA (US)

Supplemental Examination Request:
No. 96/000,201, Feb. 21, 2017

Reexamination Certificate for:
Patent No.: **Des. 644,807**
Issued: **Sep. 6, 2011**
Appl. No.: **29/379,789**
Filed: **Nov. 24, 2010**

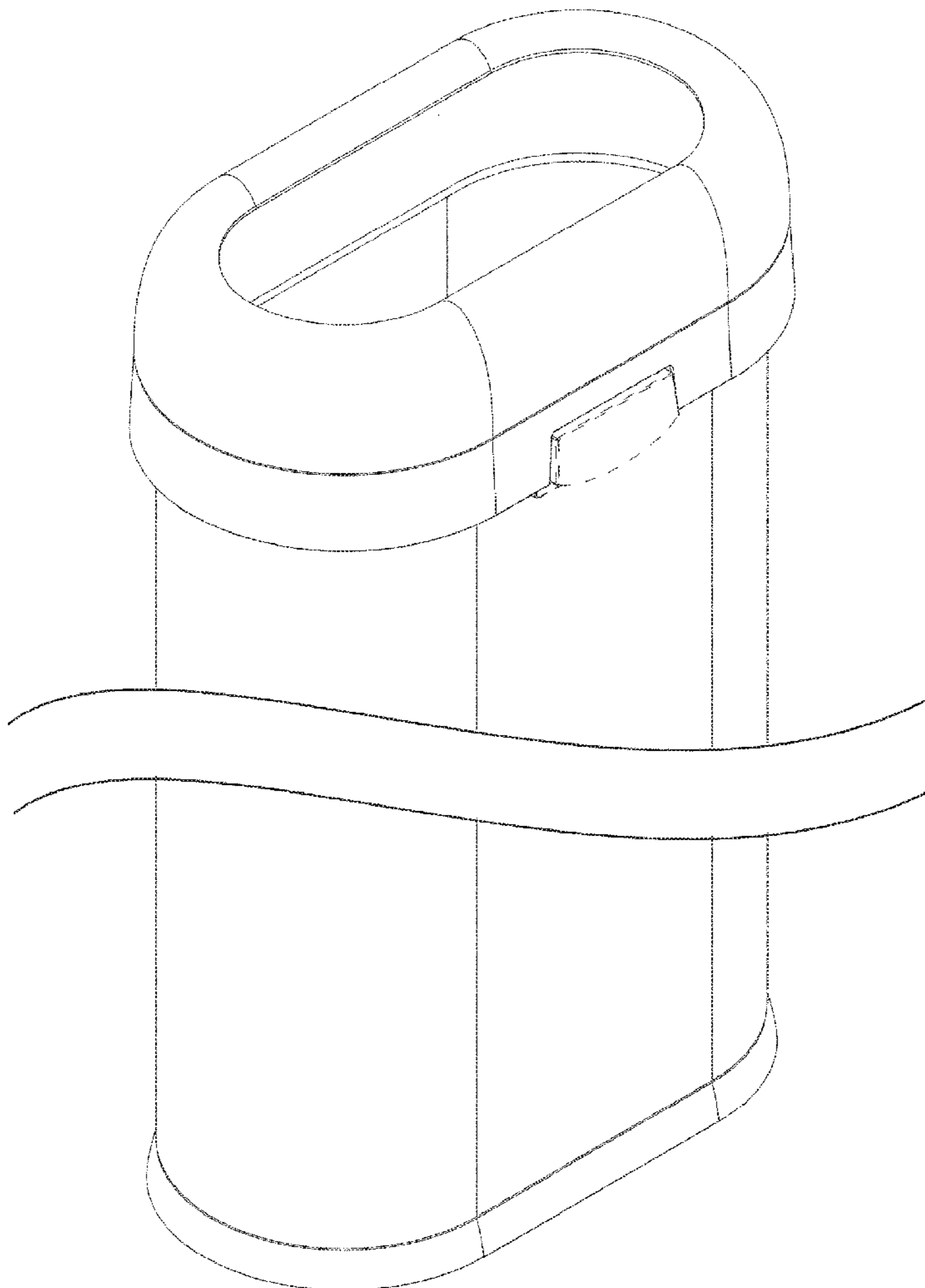
(52) **U.S. Cl.**
USPC **D34/1**

(58) **Field of Classification Search**
USPC D34/5, 6, 7, 8, 9, 10, 11; 220/908, 220/908.1, 910, 913
CPC B65D 2543/00194; B65D 2543/000296; B65D 2543/00527
See application file for complete search history.

(56) **References Cited**

To view the complete listing of prior art documents cited during the supplemental examination proceeding and the resulting reexamination proceeding for Control Number 96/000,201, please refer to the USPTO's public Patent Application Information Retrieval (PAIR) system under the Display References tab.

(51) **LOC (11) Cl.** **09-09** *Primary Examiner* — Philip S Hyder



1
EX PARTE
REEXAMINATION CERTIFICATE

NO AMENDMENTS HAVE BEEN MADE TO 5
THE PATENT

AS A RESULT OF REEXAMINATION, IT HAS BEEN
DETERMINED THAT:

The patentability of **1** is confirmed. 10

* * * * *