



US00D644806S

(12) **United States Design Patent**
Yang et al.

(10) **Patent No.:** **US D644,806 S**

(45) **Date of Patent:** **** Sep. 6, 2011**

(54) **SEMI-ROUND OPEN TRASH CAN**
(75) Inventors: **Frank Yang**, Rancho Palos Verdes, CA (US); **Tzu-Hao Wei**, Hacienda Heights, CA (US); **Di-Fong Chang**, Torrance, CA (US); **Po-Ling Huang**, Brussels (BE)

(73) Assignee: **simplehuman, LLC**, Torrance, CA (US)

(**) Term: **14 Years**

(21) Appl. No.: **29/379,785**

(22) Filed: **Nov. 24, 2010**

(51) **LOC (9) Cl.** **09-09**

(52) **U.S. Cl.** **D34/1**

(58) **Field of Classification Search** D34/1,
D34/5, 6, 7, 8, 9, 10, 11; 220/908, 98.1,
220/909, 911, 913

See application file for complete search history.

(56) **References Cited**

U.S. PATENT DOCUMENTS

D476,456 S * 6/2003 Englert et al. D34/7
D623,817 S * 9/2010 Yang et al. D34/7

D625,068 S * 10/2010 Shannon D34/1
D627,533 S * 11/2010 Yang et al. D34/7
D635,319 S * 3/2011 Meyerhoffer D34/7

* cited by examiner

Primary Examiner — Cynthia Ramirez

(74) *Attorney, Agent, or Firm* — Monument IP Law Group

(57) **CLAIM**

The ornamental design for a semi-round open trash can, as shown and described.

DESCRIPTION

FIG. 1 shows a front, top, and right perspective view of an embodiment thereof;

FIG. 2 shows a front elevational view thereof;

FIG. 3 shows a rear elevational view thereof;

FIG. 4 shows a right side elevational view thereof;

FIG. 5 shows a left side elevational view thereof;

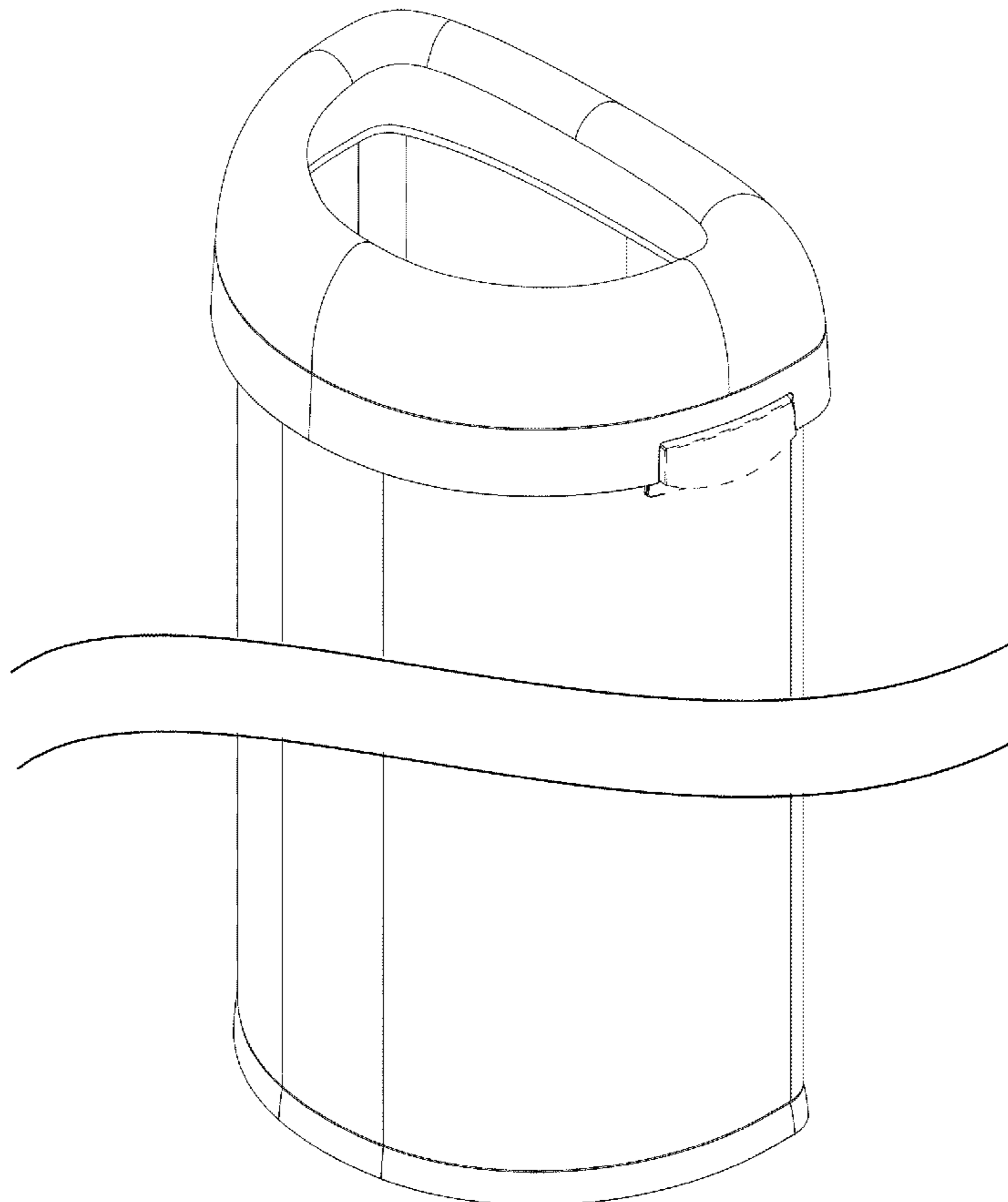
FIG. 6 shows a top plan view thereof; and,

FIG. 7 shows a bottom plan view thereof.

All features illustrated in phantom line are expressly disclaimed and form no part of the claimed design.

The trash can in accordance with the present design can have any length, as indicated by the indefinite line length breaks in FIGS. 1-5.

1 Claim, 7 Drawing Sheets



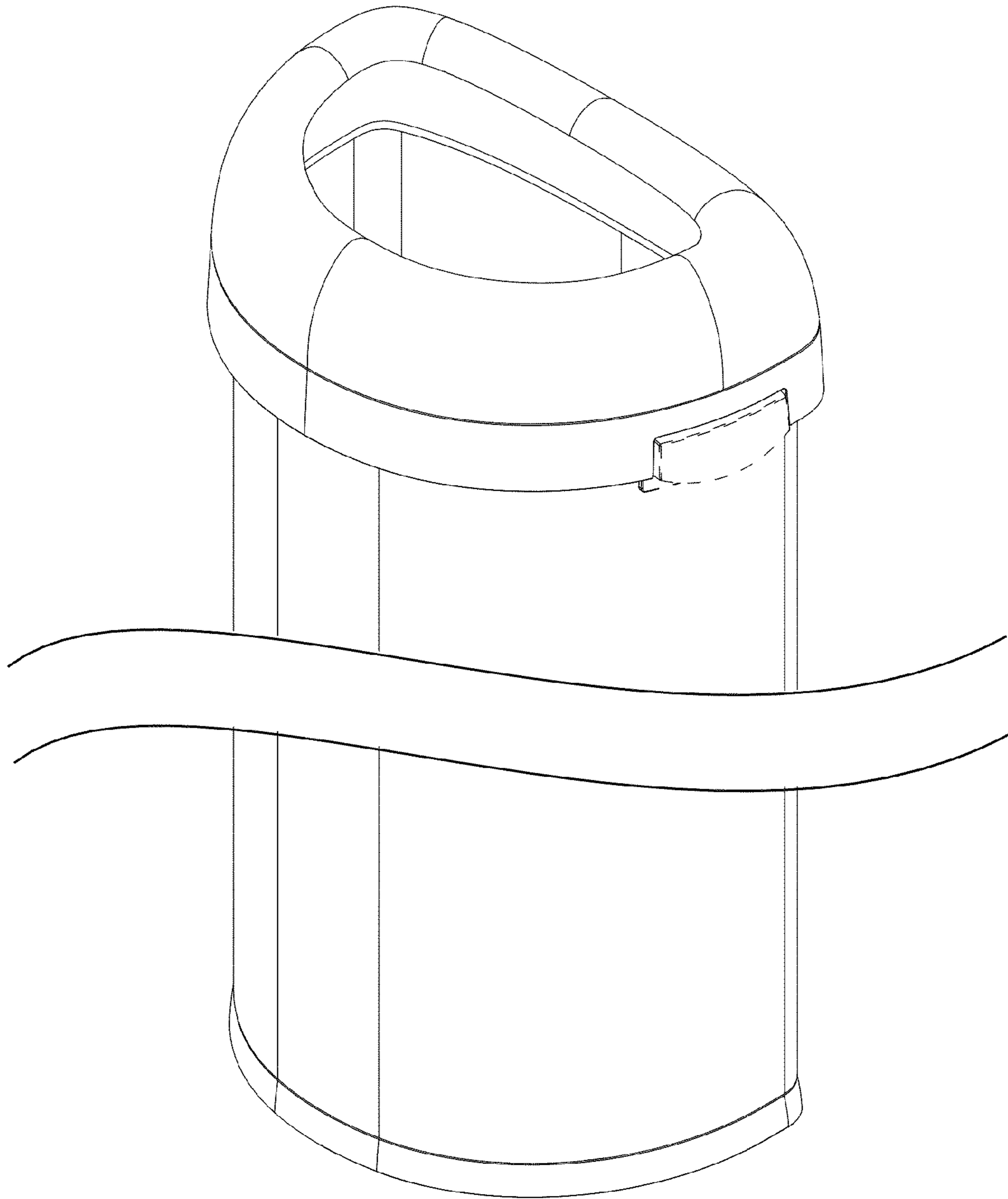


FIG. 1

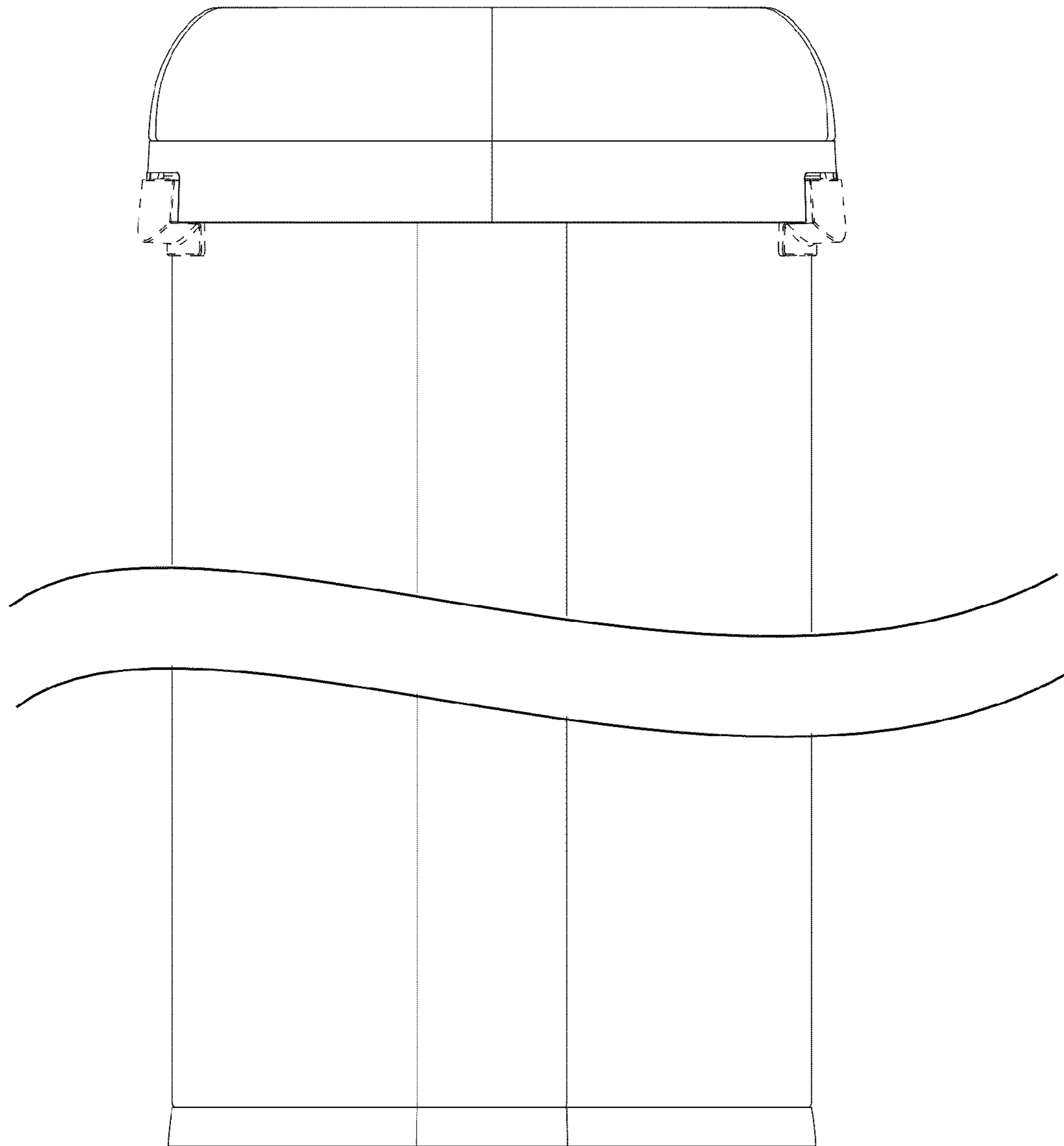


FIG. 2

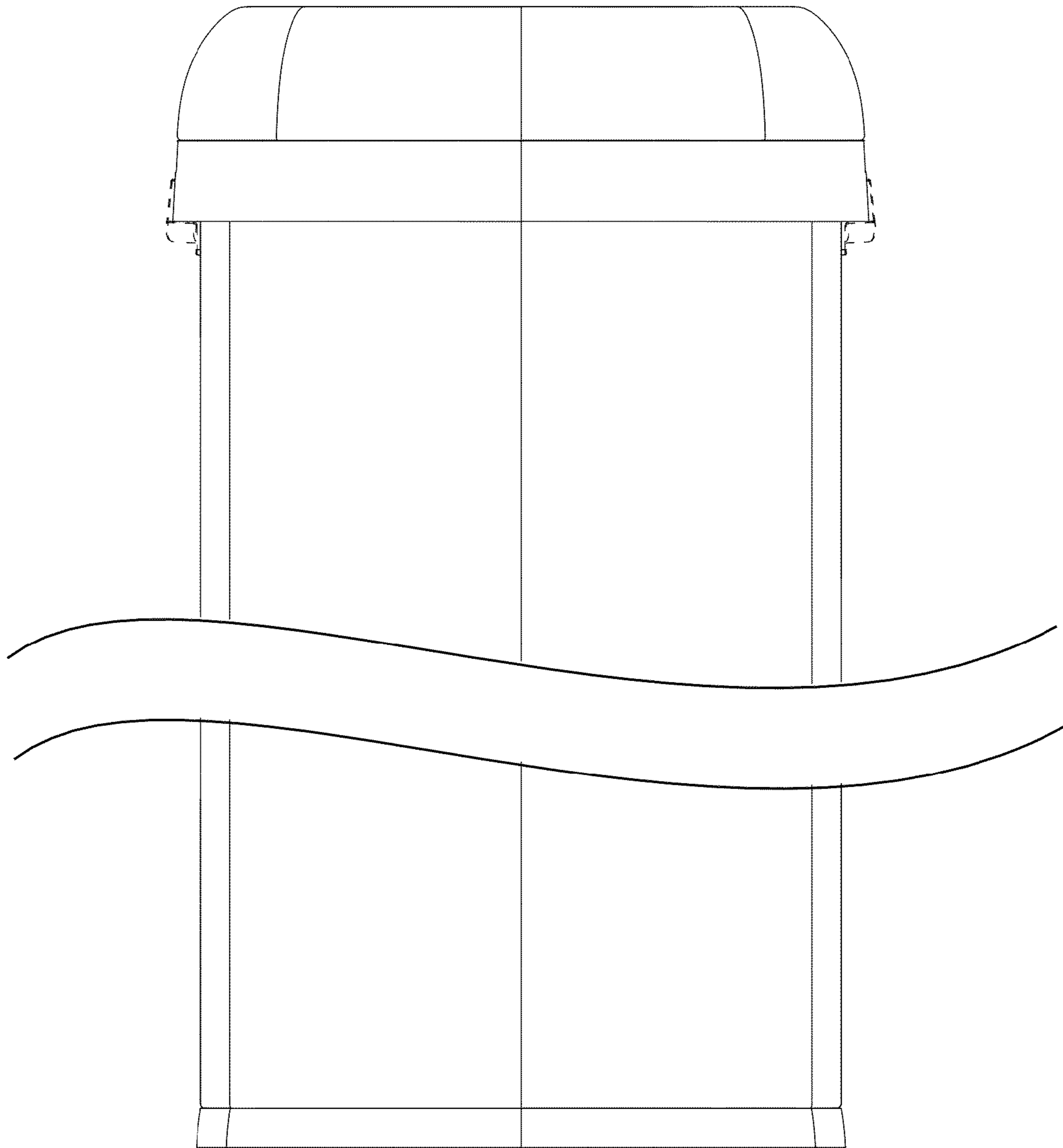


FIG. 3

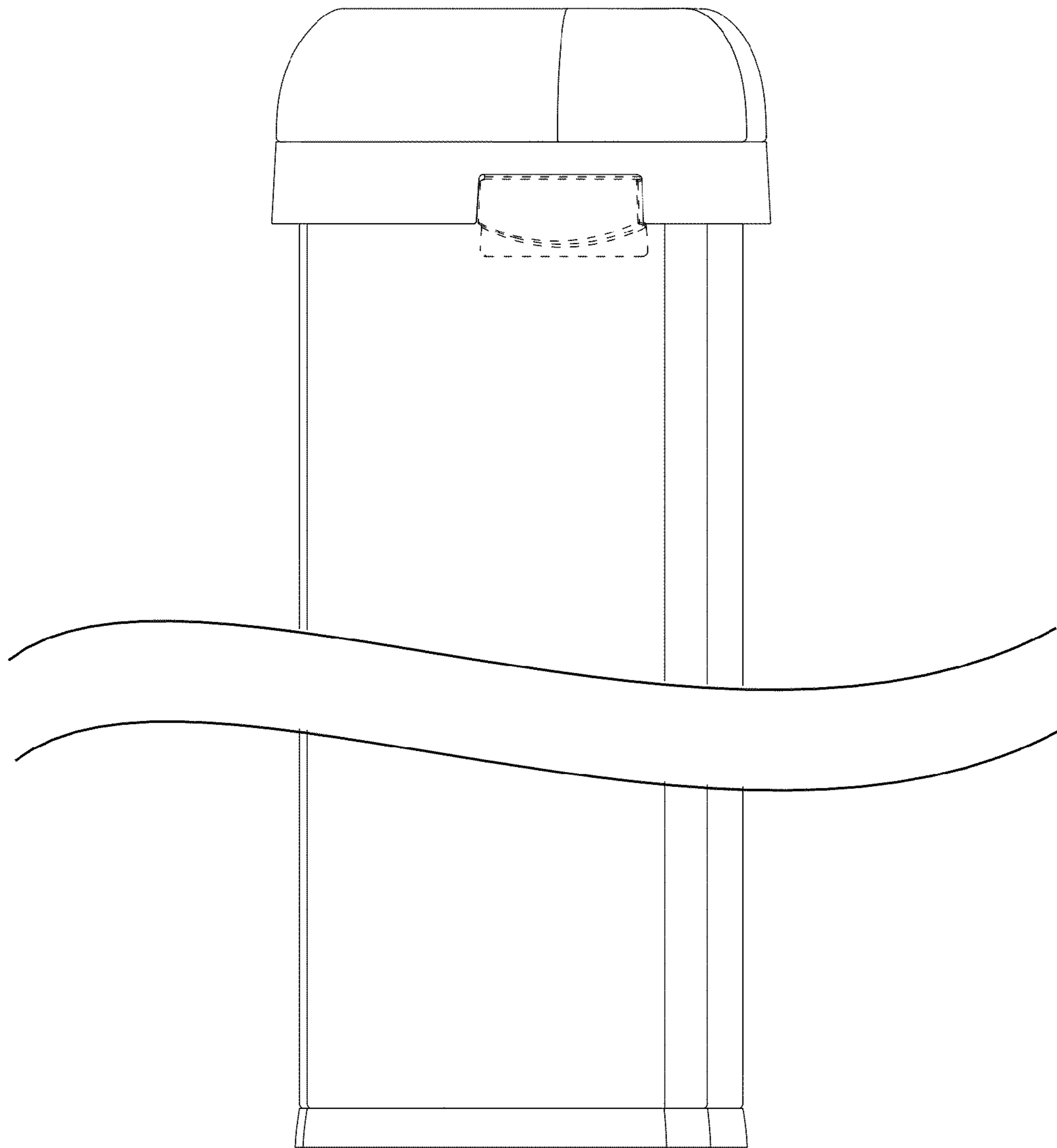


FIG. 4

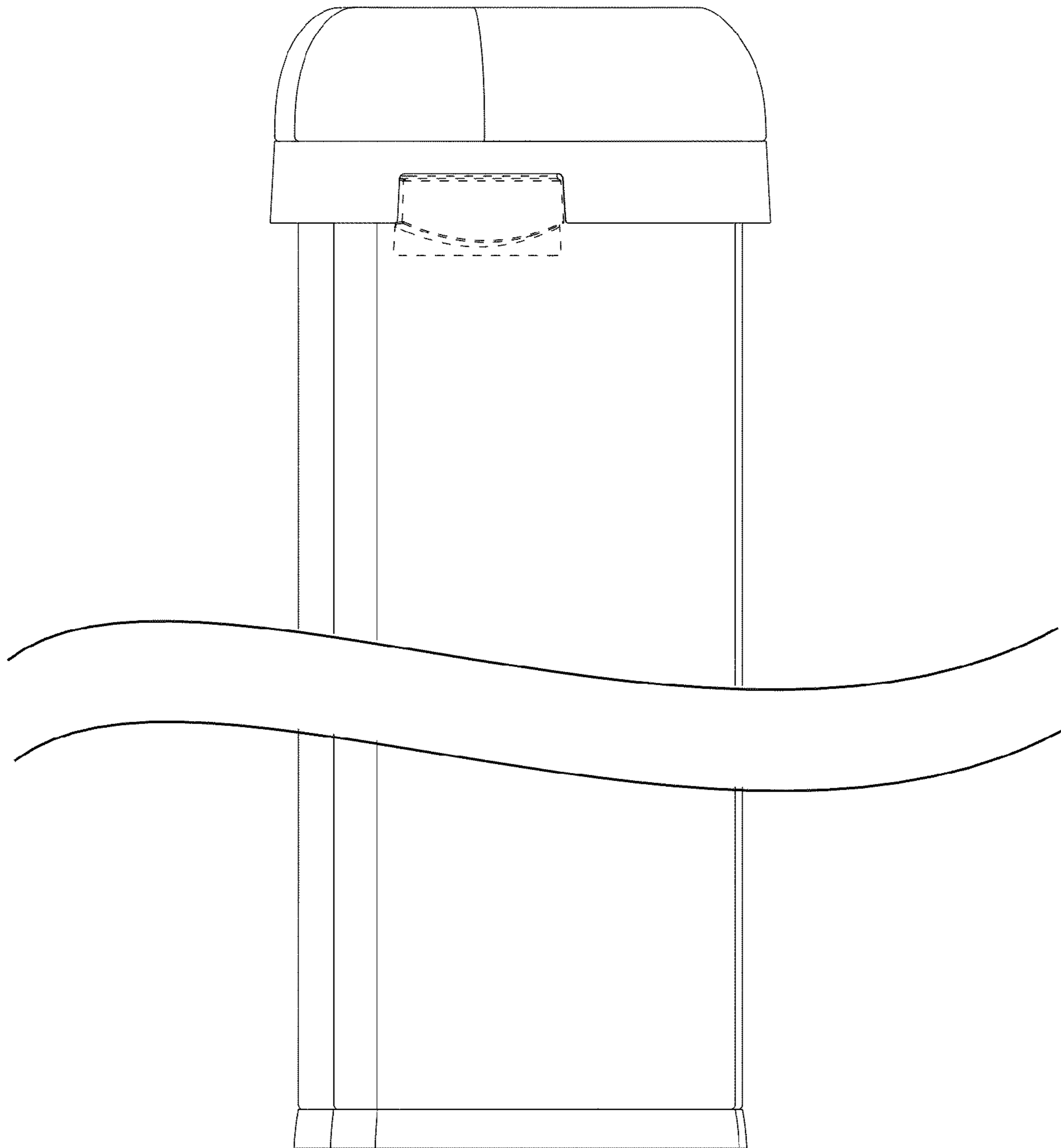


FIG. 5

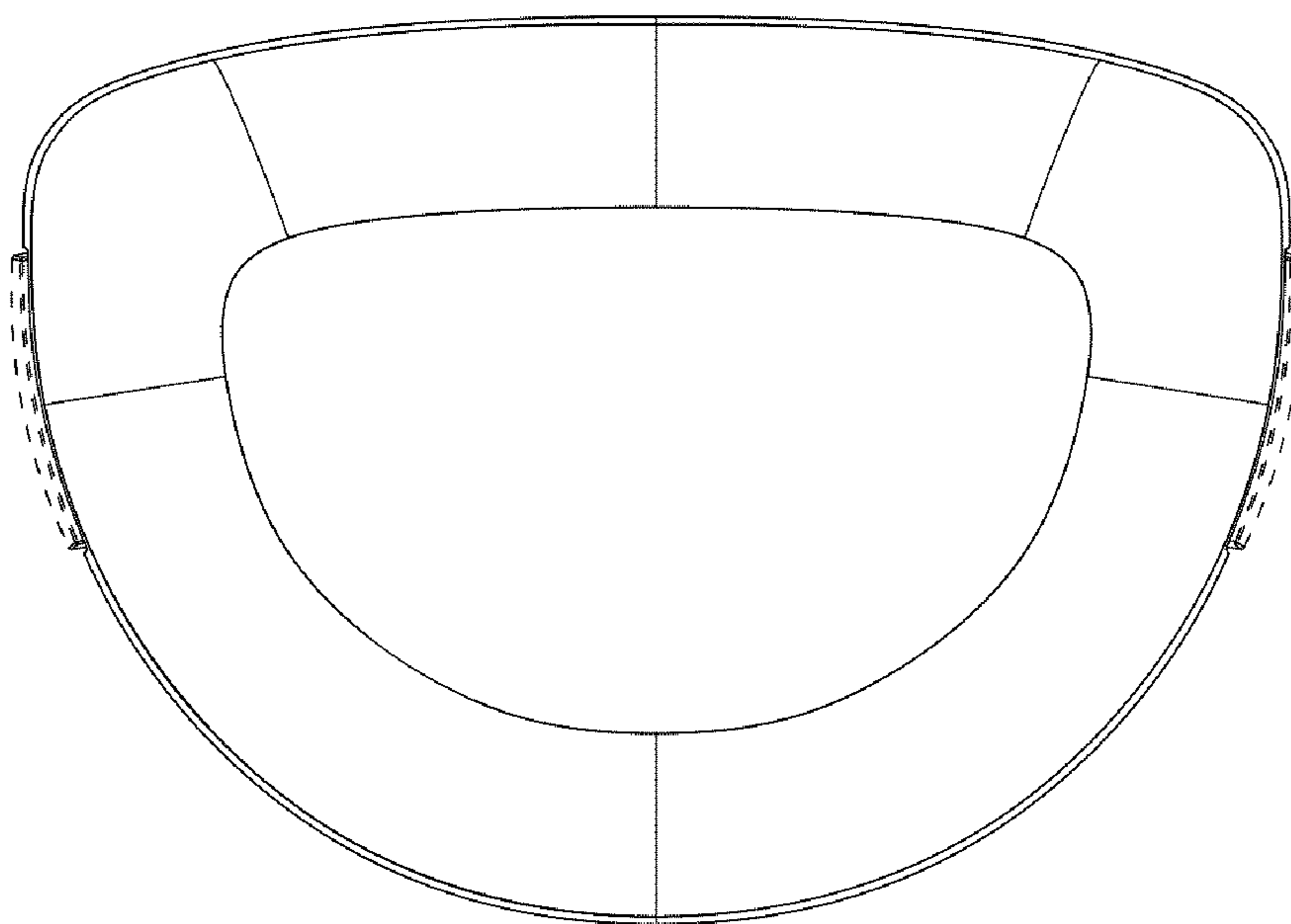


FIG. 6

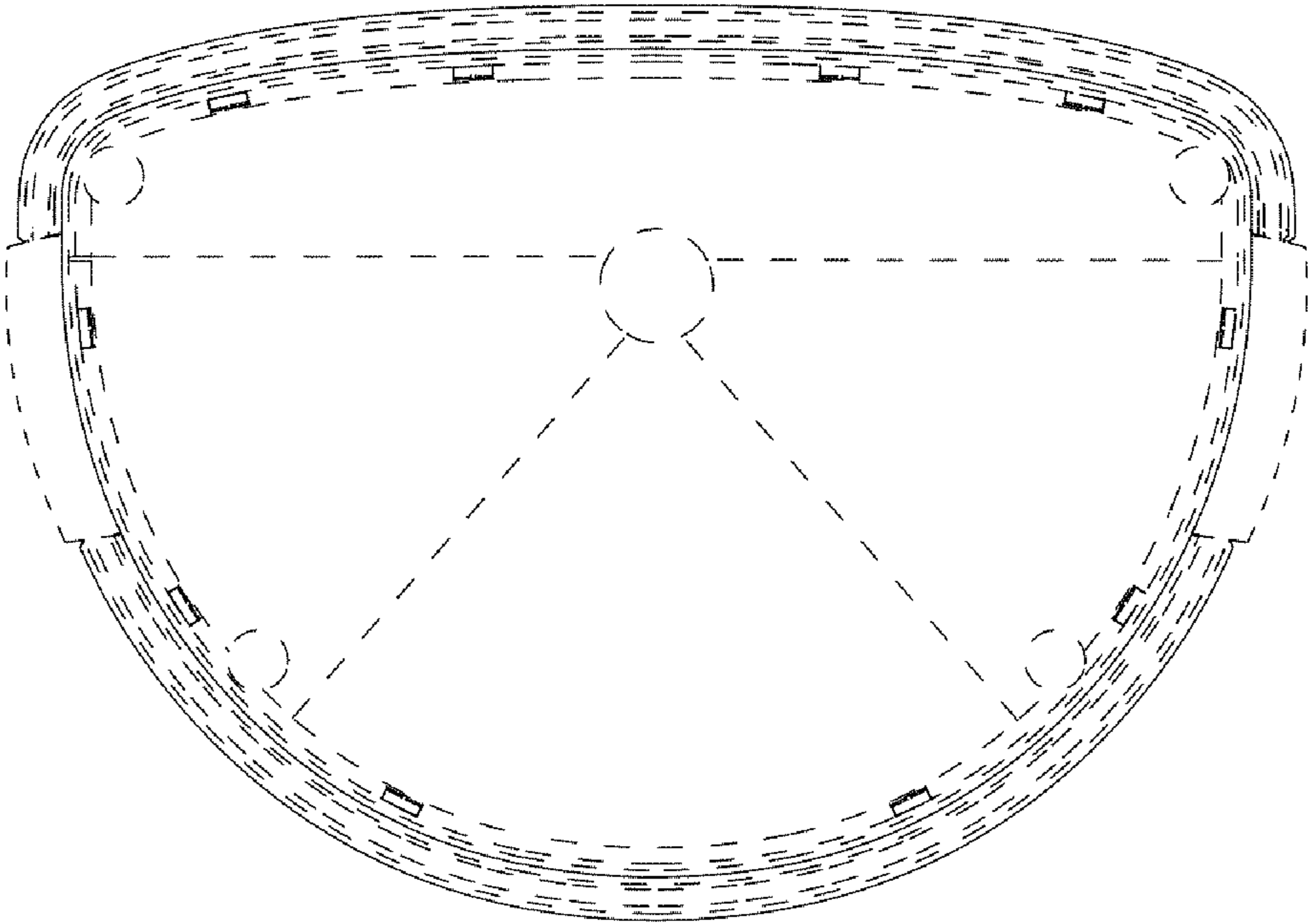


FIG. 7