



US00D644801S

(12) **United States Design Patent**  
**Crevling et al.**

(10) **Patent No.:** **US D644,801 S**

(45) **Date of Patent:** **\*\* Sep. 6, 2011**

(54) **VACUUM CLEANER**

(75) Inventors: **Robert L. Crevling**, Cogan Station, PA (US); **Jason Gottschall**, Williamsport, PA (US); **John Griffin**, Phoenix, AZ (US)

(73) Assignee: **Shop Vac Corporation**, Williamsport, PA (US)

(\*\*) Term: **14 Years**

(21) Appl. No.: **29/350,099**

(22) Filed: **Nov. 11, 2009**

(51) **LOC (9) Cl.** ..... **15-05**

(52) **U.S. Cl.** ..... **D32/31**

(58) **Field of Classification Search** ..... D32/21, D32/23-24, 31; 15/327.1, 327.2, 327.6, 15/327.7, 344, 353, 320-321; 55/DIG. 3  
See application file for complete search history.

(56) **References Cited**

**U.S. PATENT DOCUMENTS**

D439,710 S	3/2001	Griffin	
D444,276 S	6/2001	Griffin	
D447,844 S	9/2001	Griffin	
D460,230 S	7/2002	Griffin	
D466,659 S	12/2002	Griffin	
D479,371 S *	9/2003	Griffin et al.	D32/23
D527,504 S *	8/2006	Griffin et al.	D32/21

D587,414 S *	2/2009	Griffin et al.	D32/31
D588,761 S *	3/2009	Griffin	D32/31
D591,467 S *	4/2009	Griffin et al.	D32/23
D599,968 S *	9/2009	Crevling et al.	D32/23
D615,718 S *	5/2010	Crevling et al.	D32/23
D623,812 S *	9/2010	Seasholtz et al.	D32/31
D623,813 S *	9/2010	Seasholtz et al.	D32/31

\* cited by examiner

*Primary Examiner* — Ruth McInroy

(74) *Attorney, Agent, or Firm* — Marshall, Gerstein & Borun LLP; Richard M. LaBarge; Robert M. Gerstein

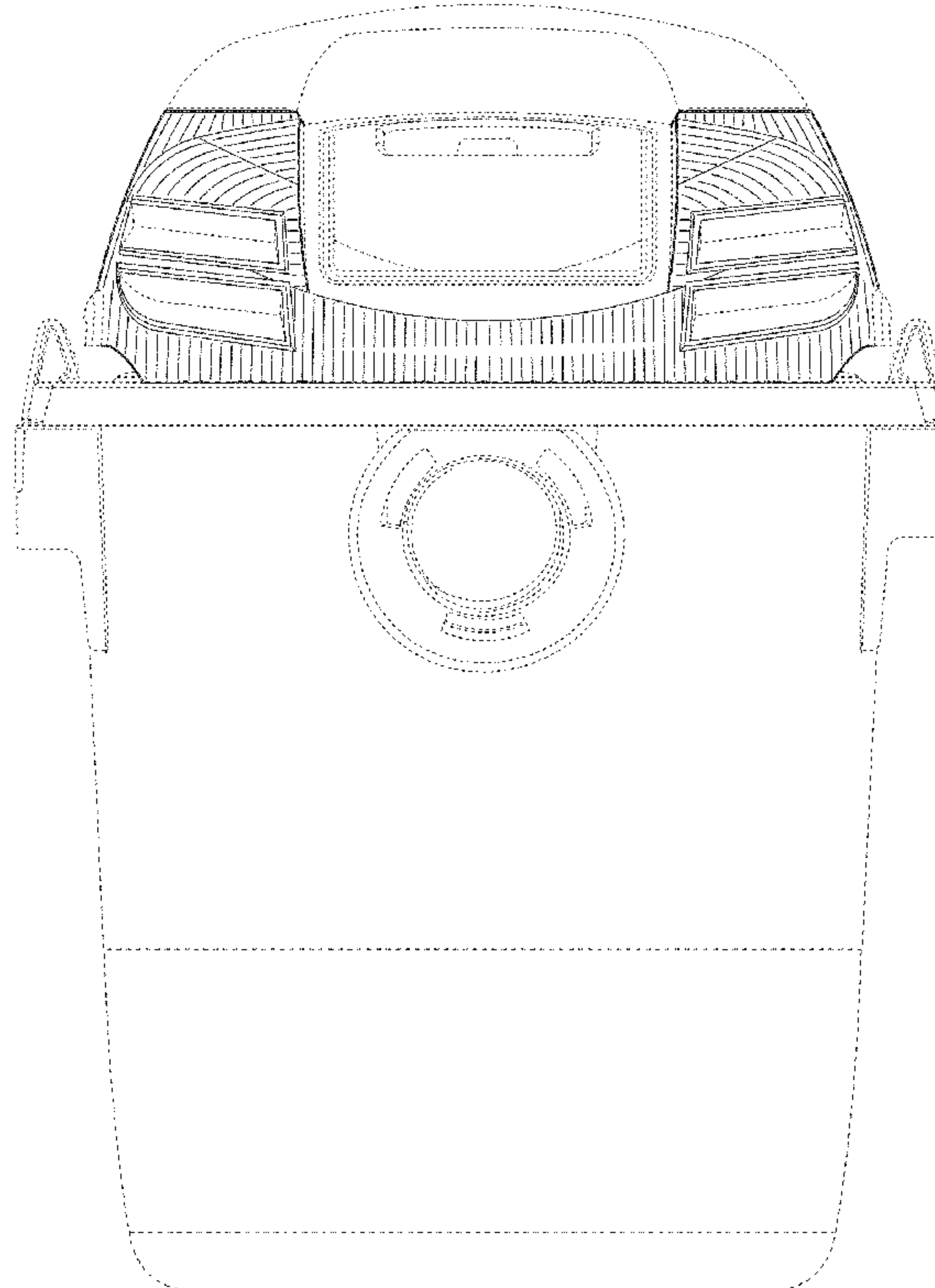
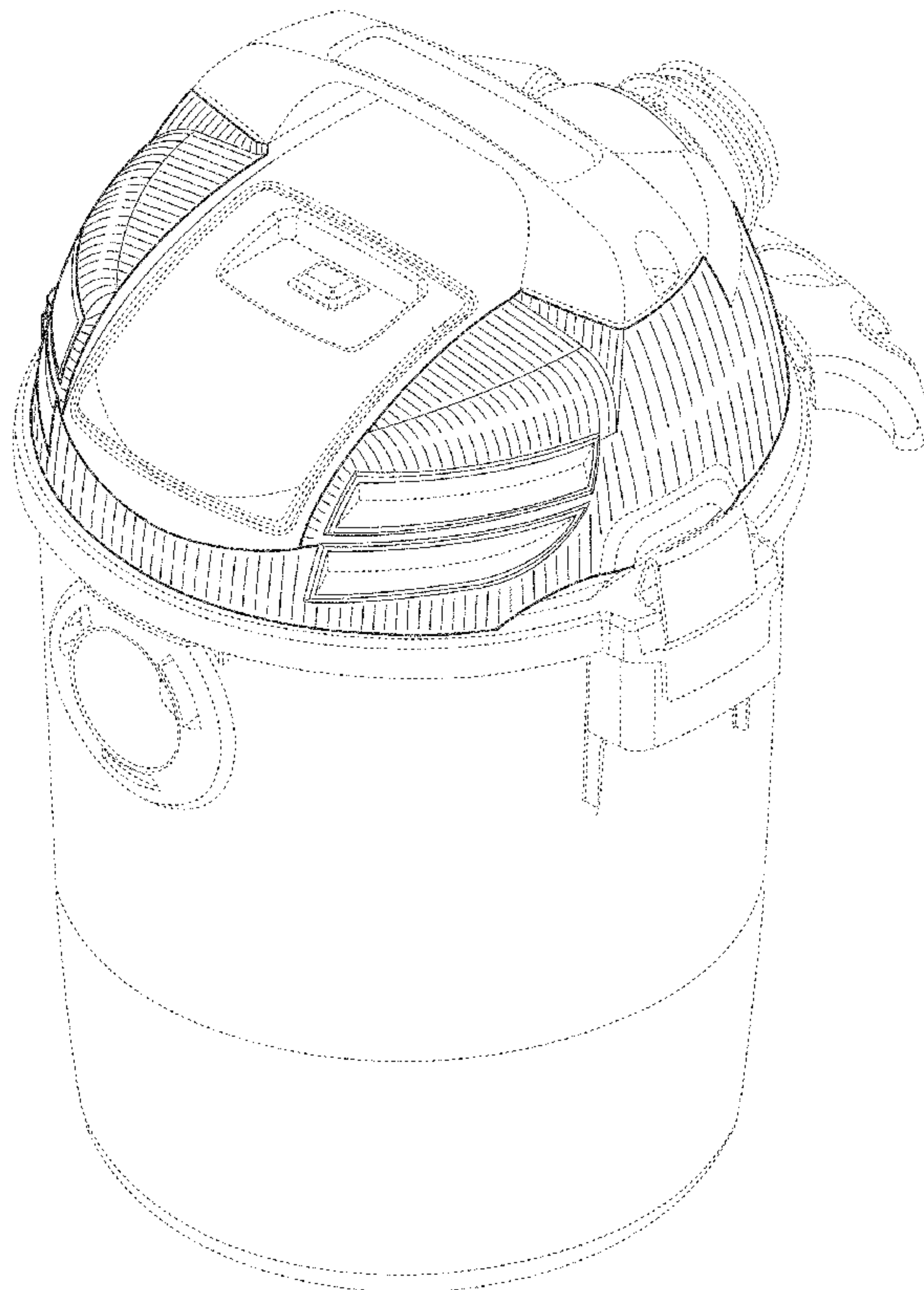
(57) **CLAIM**

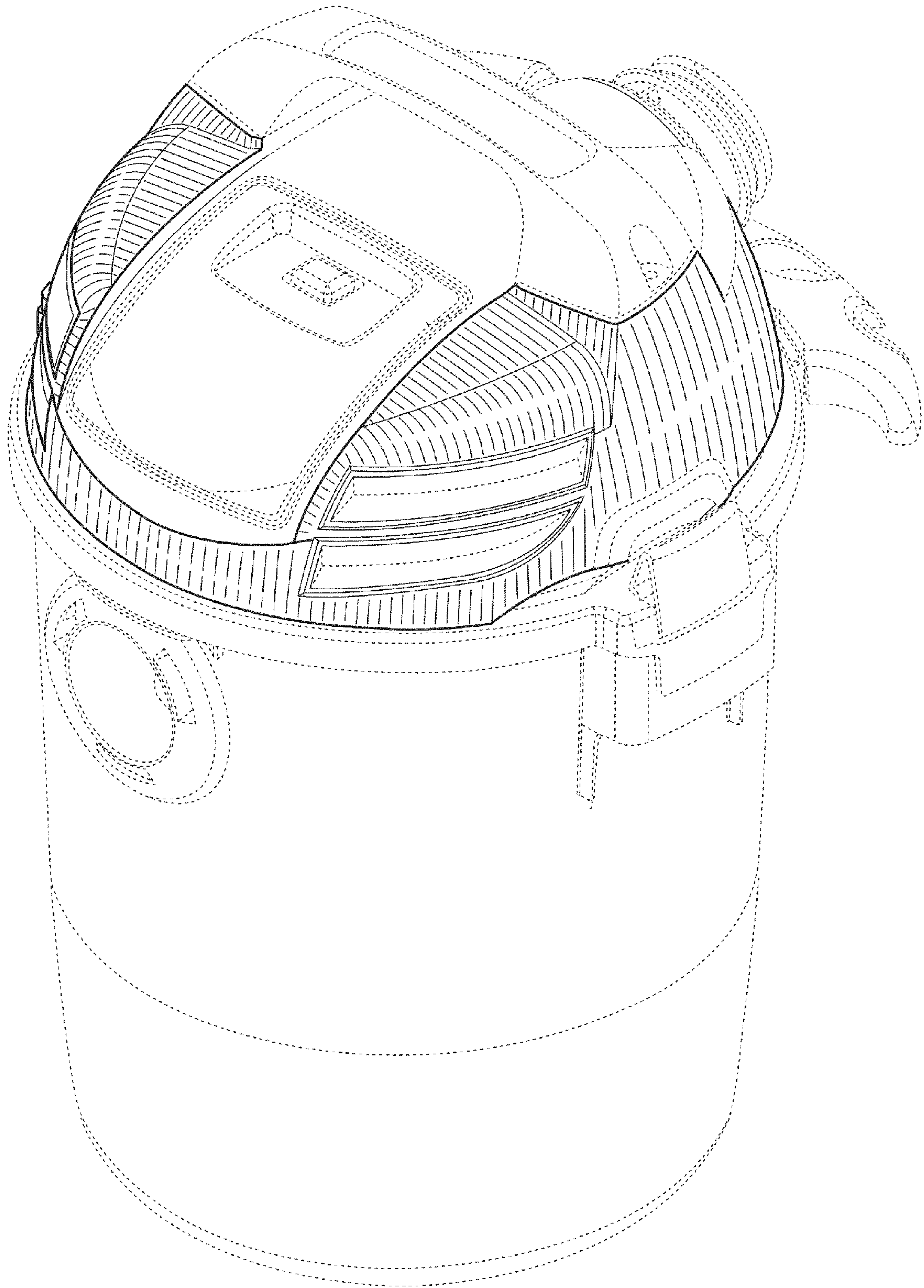
The ornamental design for a vacuum cleaner, as shown.

**DESCRIPTION**

FIG. 1 is a top, front, and left side perspective view of a vacuum cleaner showing the new design;  
FIG. 2 is a front elevation view of the vacuum cleaner;  
FIG. 3 is a left side elevation view of the vacuum cleaner;  
FIG. 4 is a rear elevation view of the vacuum cleaner;  
FIG. 5 is a right side elevation view of the vacuum cleaner;  
and,  
FIG. 6 is a top plan view of the vacuum cleaner.  
The details shown in broken lines form no part of the claimed design.

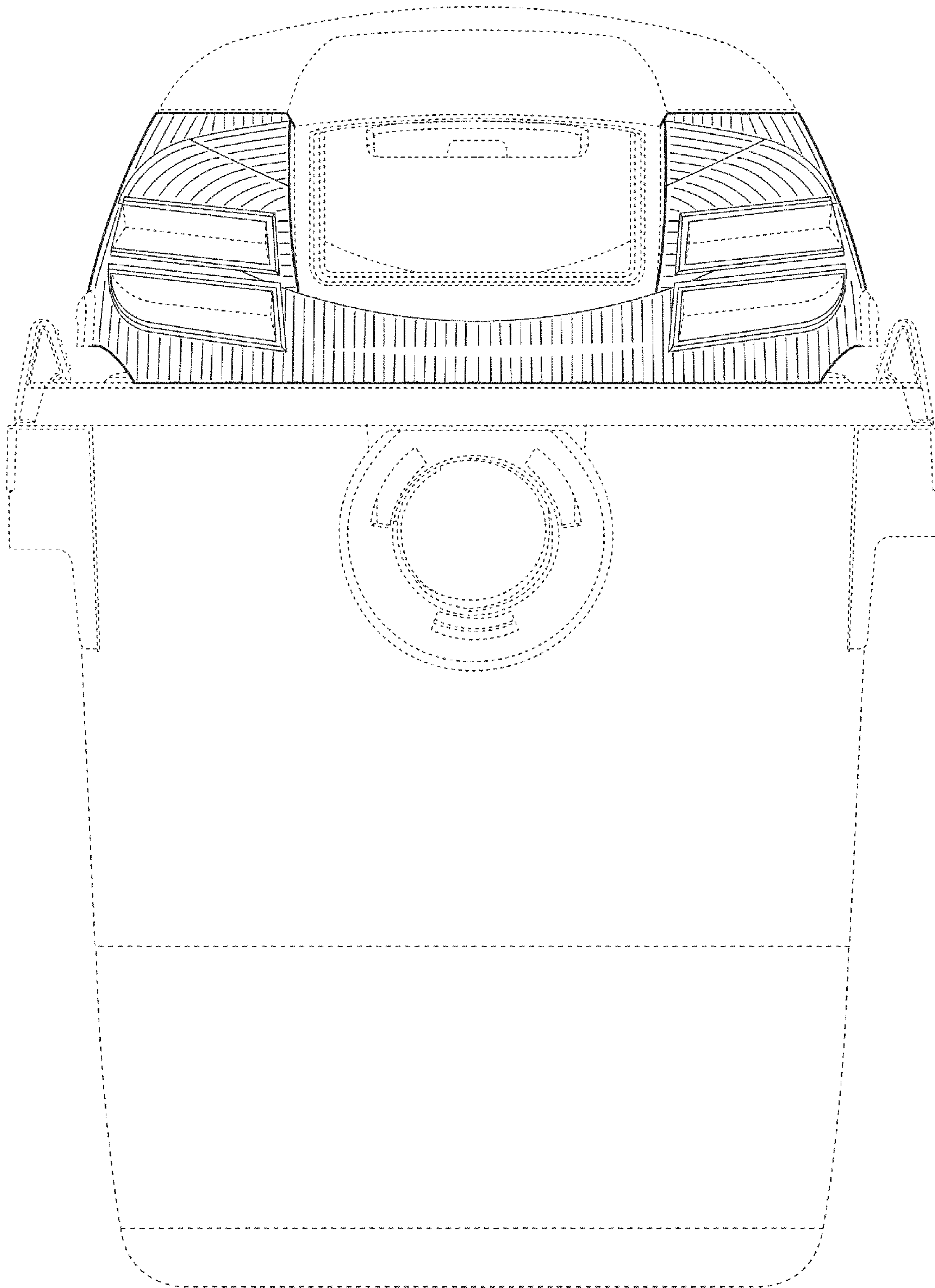
**1 Claim, 6 Drawing Sheets**



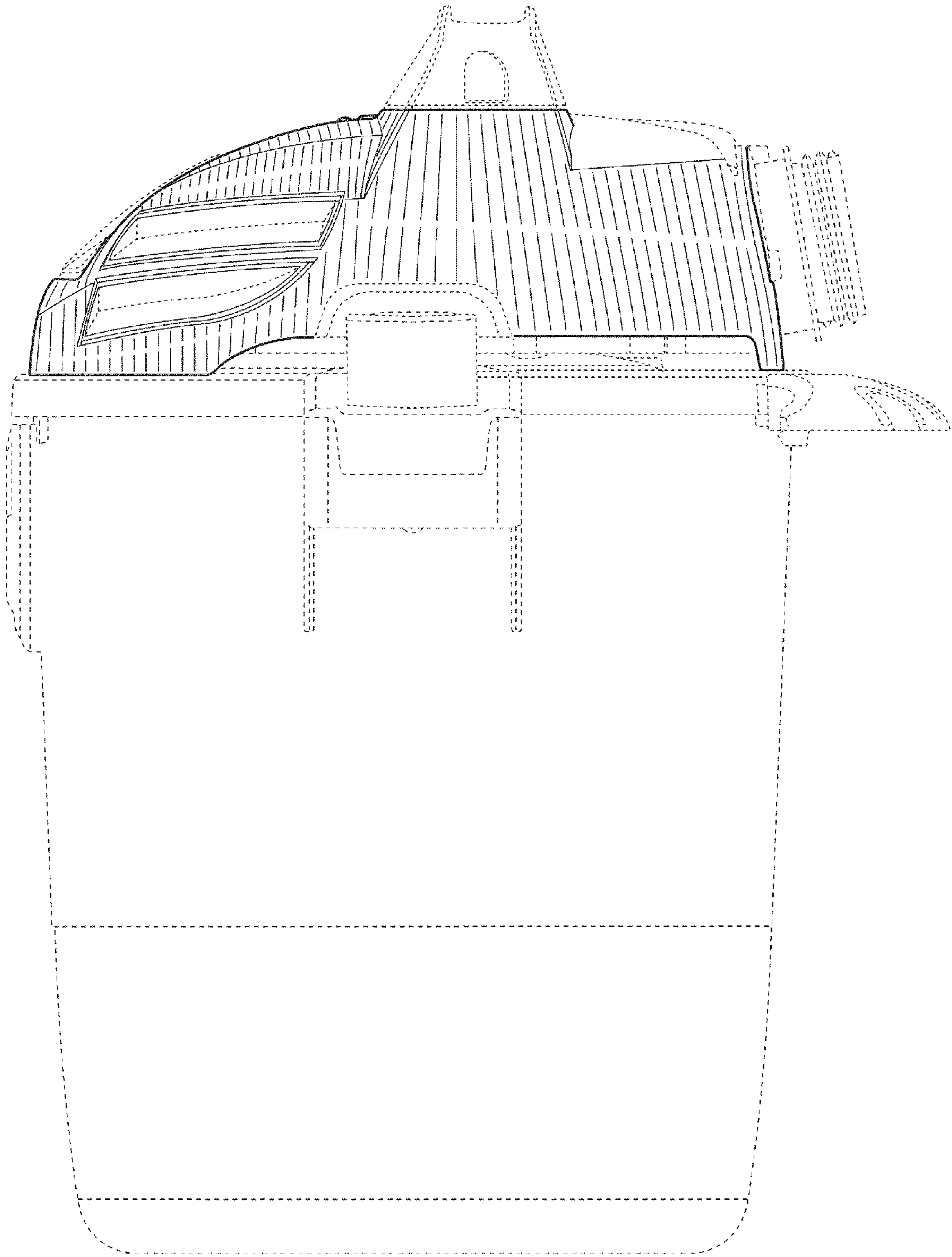


**FIG. 1**

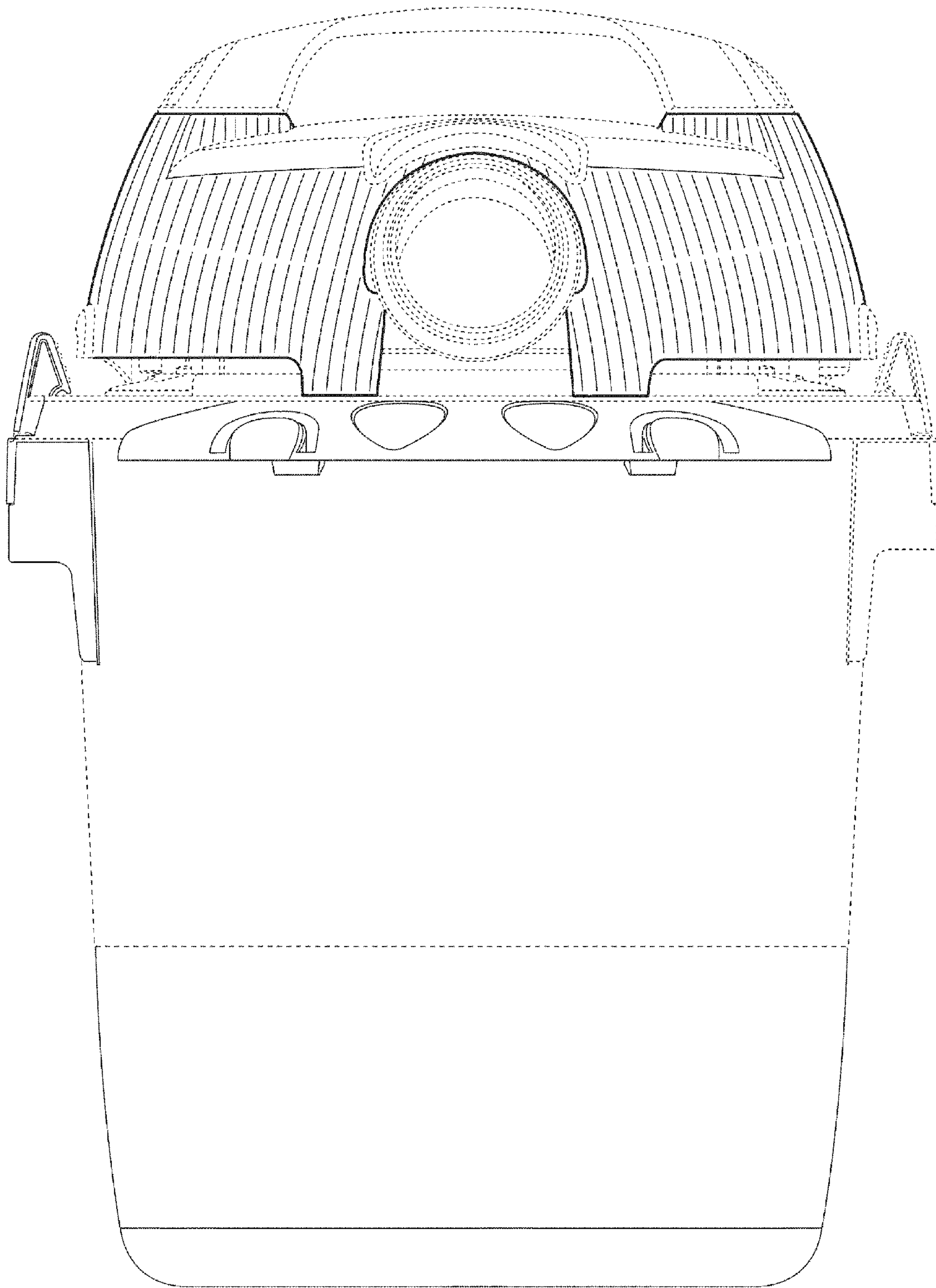




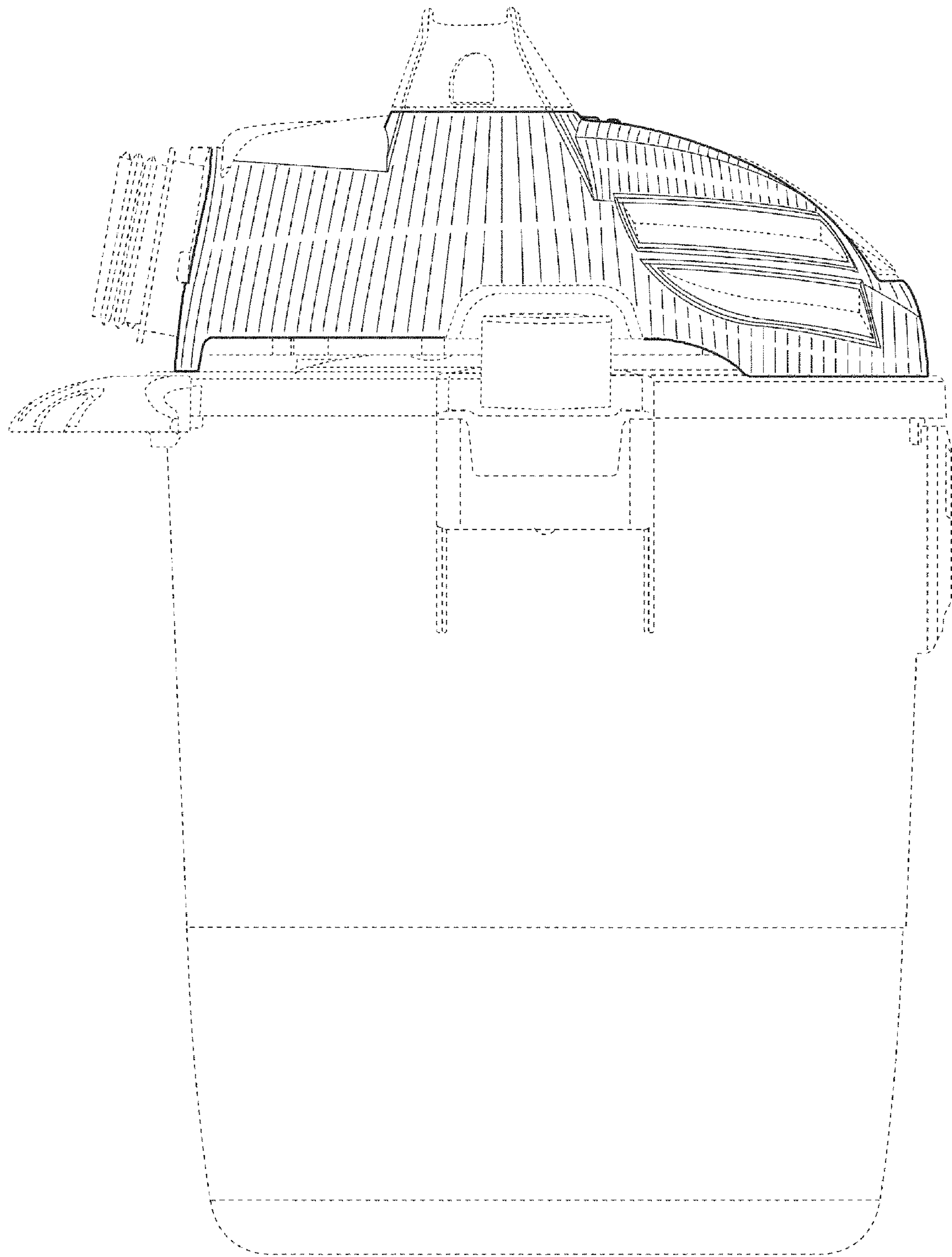
**FIG. 2**



**FIG. 3**

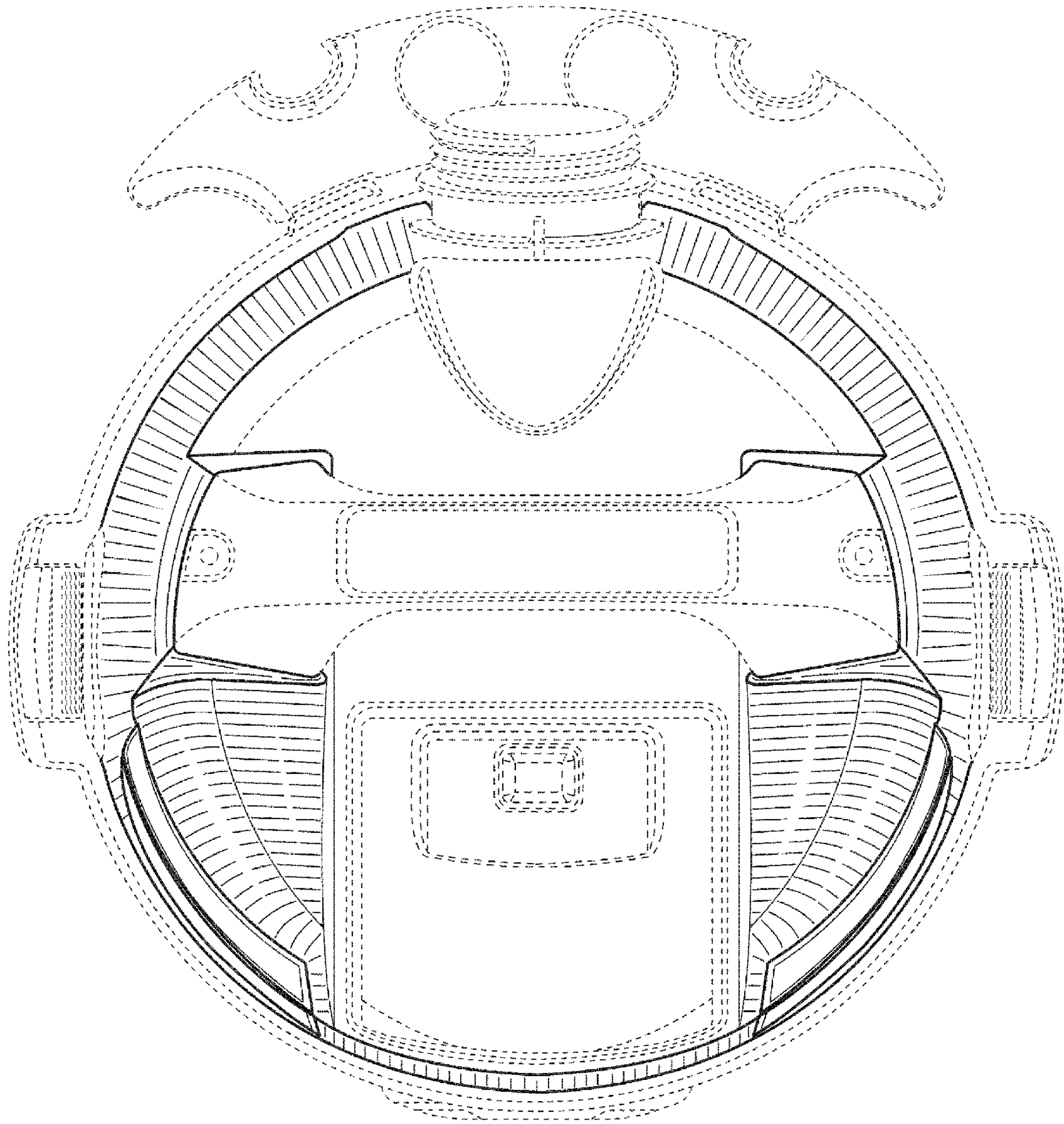


**FIG. 4**



**FIG. 5**





**FIG. 6**