



US00D644800S

(12) **United States Design Patent**  
**Seasholtz et al.**

(10) **Patent No.:** **US D644,800 S**  
(45) **Date of Patent:** **\*\* Sep. 6, 2011**

(54) **VACUUM CLEANER**

(75) Inventors: **Craig A. Seasholtz**, Avis, PA (US); **John Griffin**, Phoenix, AZ (US); **Robert L. Crevling, Jr.**, Cogan Station, PA (US)

(73) Assignee: **Shop Vac Corporation**, Williamsport, PA (US)

(\*\*) Term: **14 Years**

(21) Appl. No.: **29/346,035**

(22) Filed: **Oct. 26, 2009**

(51) **LOC (9) Cl.** ..... **15-05**

(52) **U.S. Cl.** ..... **D32/31**

(58) **Field of Classification Search** ..... D32/21,  
D32/23-24, 31; 15/327.1, 327.2, 327.6,  
15/327.7, 344, 353, 320-321; 55/DIG. 3  
See application file for complete search history.

(56) **References Cited**

**U.S. PATENT DOCUMENTS**

D439,710 S	3/2001	Griffin	
D444,276 S	6/2001	Griffin	
D447,844 S	9/2001	Griffin	
D460,230 S	7/2002	Griffin	
D466,659 S	12/2002	Griffin	
D479,372 S *	9/2003	Griffin	D32/23
D527,504 S *	8/2006	Griffin et al.	D32/21

D587,414 S *	2/2009	Griffin et al.	D32/31
D588,761 S *	3/2009	Griffin	D32/31
D591,467 S *	4/2009	Griffin et al.	D32/23
D599,968 S *	9/2009	Crevling et al.	D32/23
D615,718 S *	5/2010	Crevling et al.	D32/23
D623,812 S *	9/2010	Seasholtz et al.	D32/31
D623,813 S *	9/2010	Seasholtz et al.	D32/31

\* cited by examiner

*Primary Examiner* — Ruth McInroy

(74) *Attorney, Agent, or Firm* — Marshall, Gerstein & Borun LLP; Richard M. LaBarge; Robert M. Gerstein

(57) **CLAIM**

The ornamental design for a vacuum cleaner, as shown and described.

**DESCRIPTION**

FIG. 1 is a top, front, and left side perspective view of a vacuum cleaner showing the new design.

FIG. 2 is a front elevation view of the vacuum cleaner.

FIG. 3 is a left side elevation view of the vacuum cleaner.

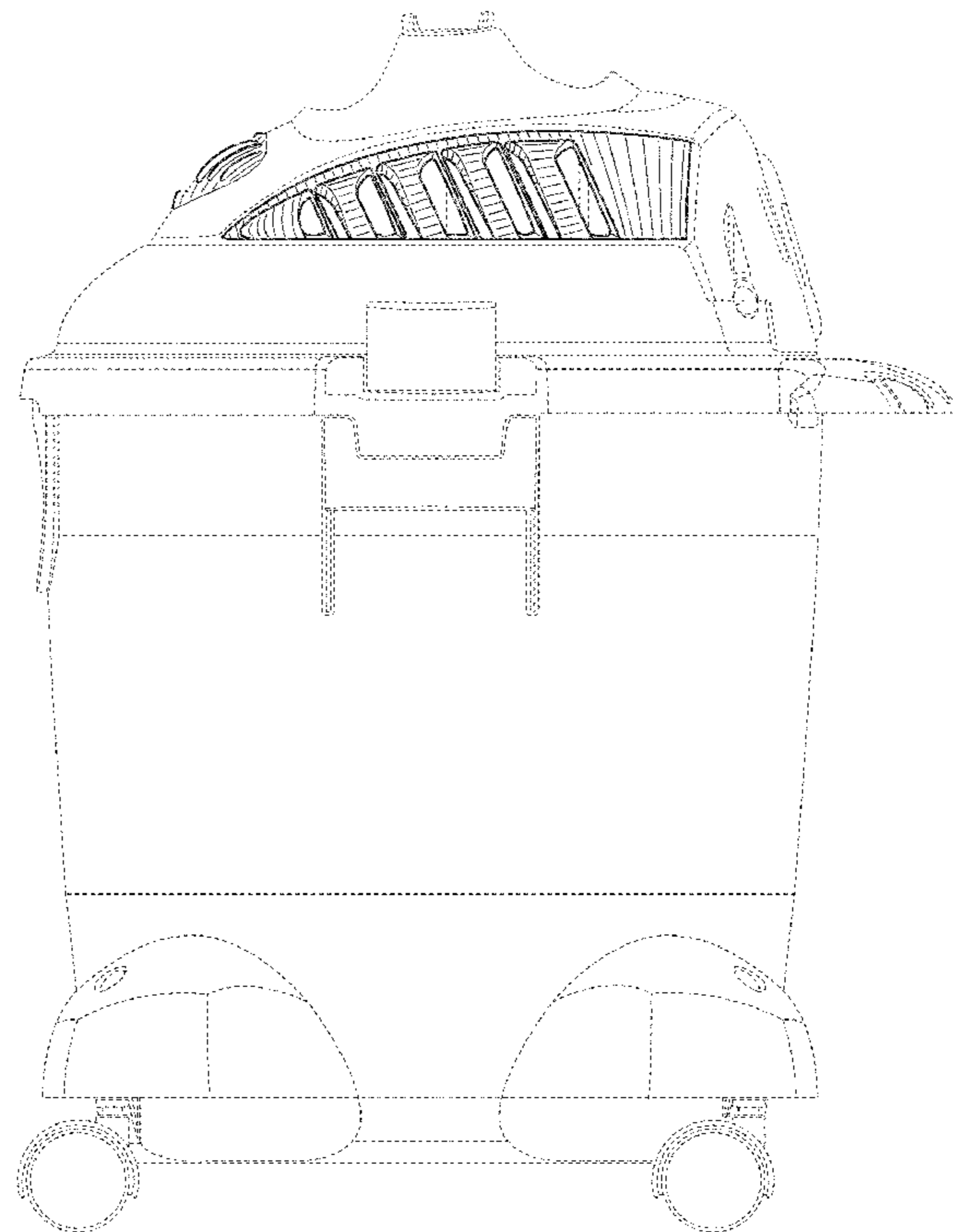
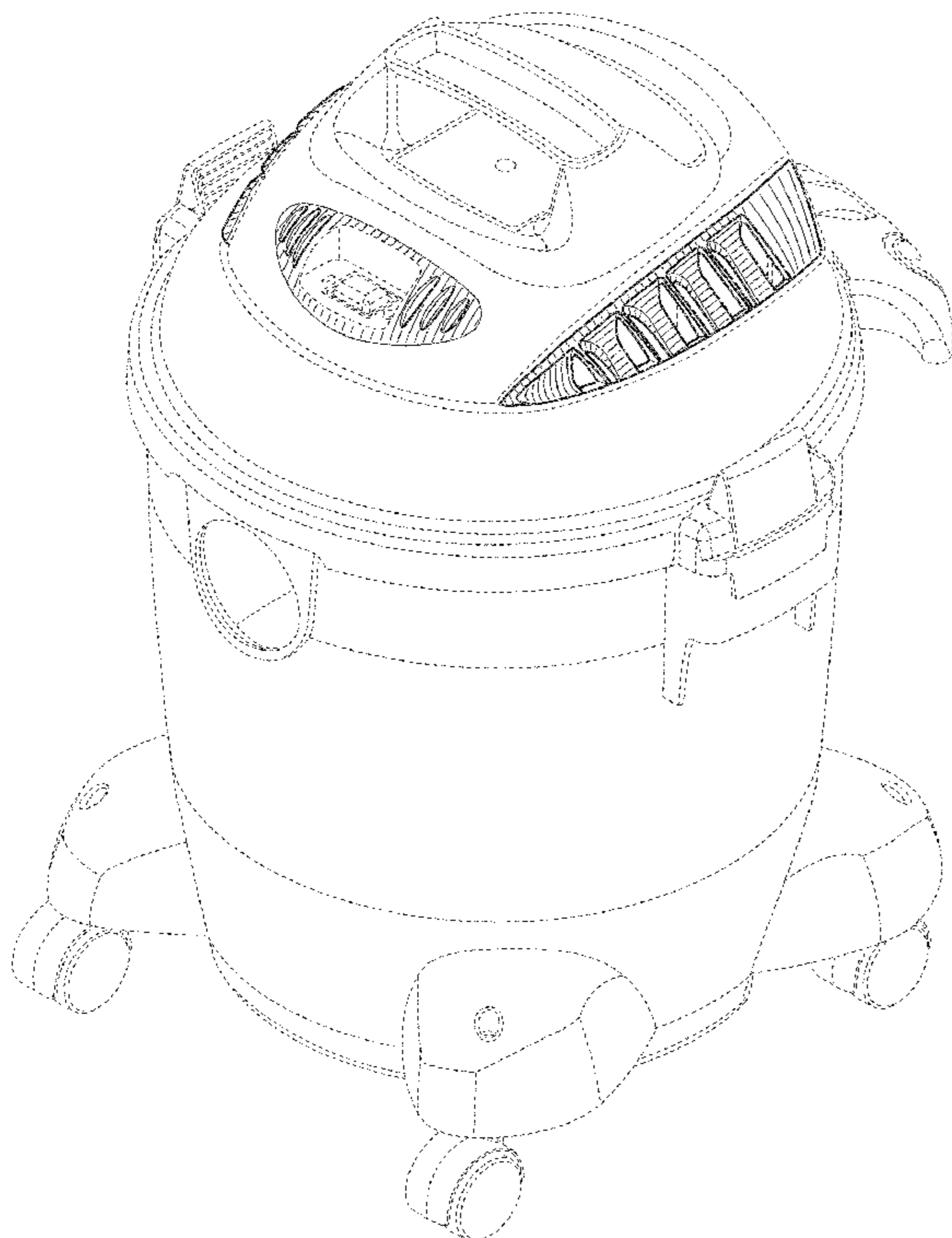
FIG. 4 is a rear elevation view of the vacuum cleaner.

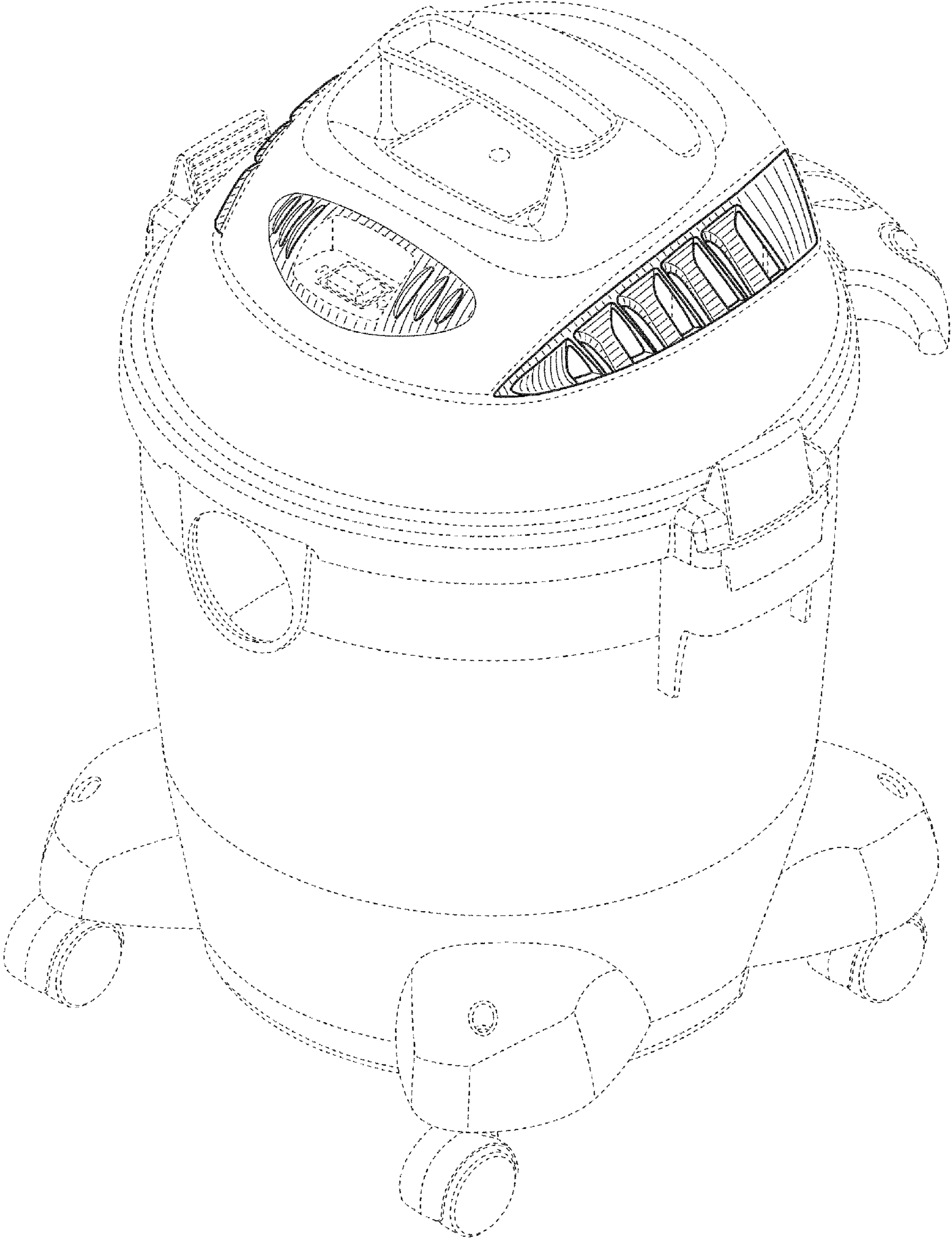
FIG. 5 is a right side elevation view of the vacuum cleaner; and,

FIG. 6 is a top plan view of the vacuum cleaner.

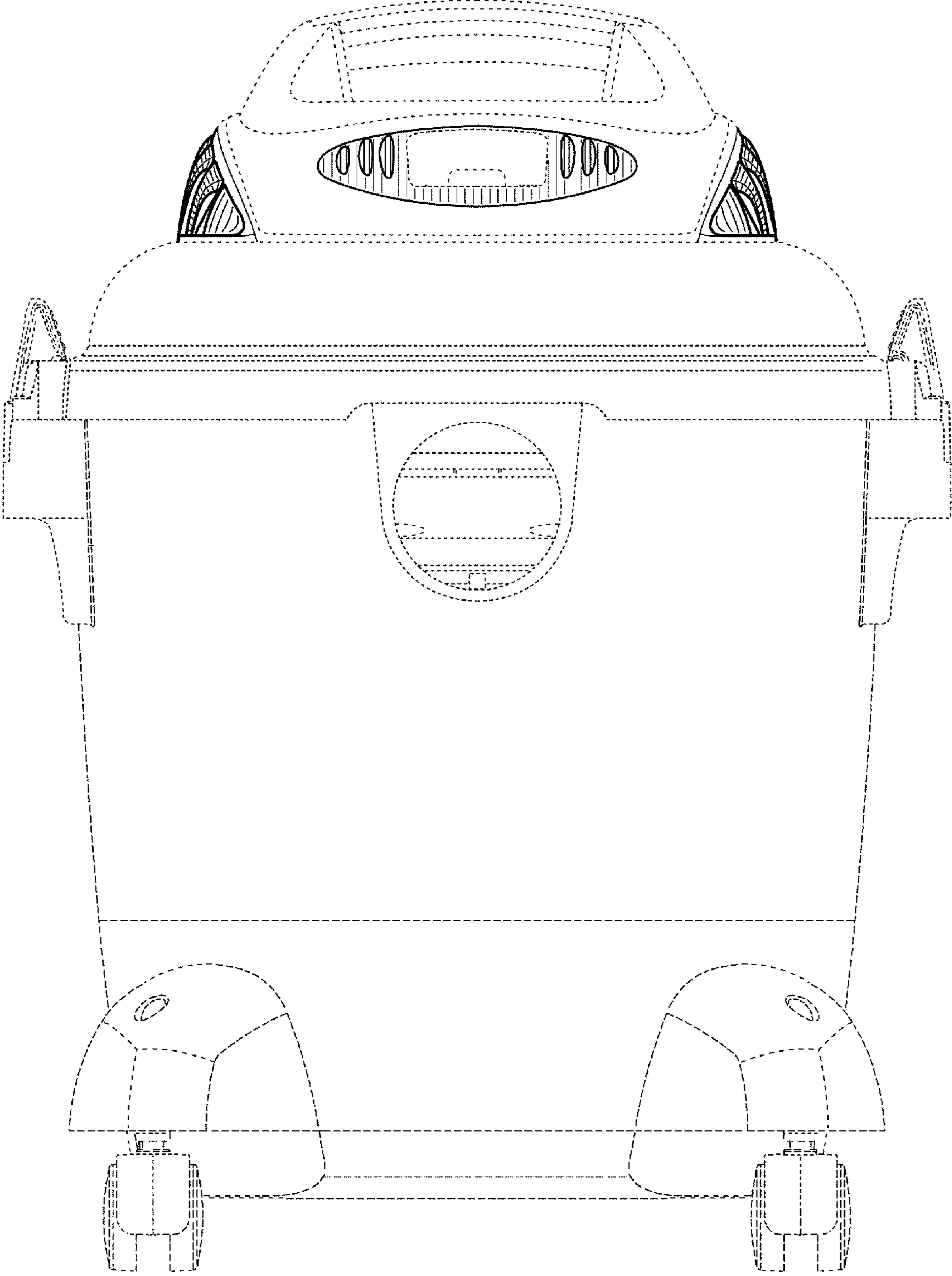
The broken line showing portions of the vacuum cleaner is for the purpose of illustrating portions of the vacuum cleaner and forms no part of the claimed design.

**1 Claim, 6 Drawing Sheets**

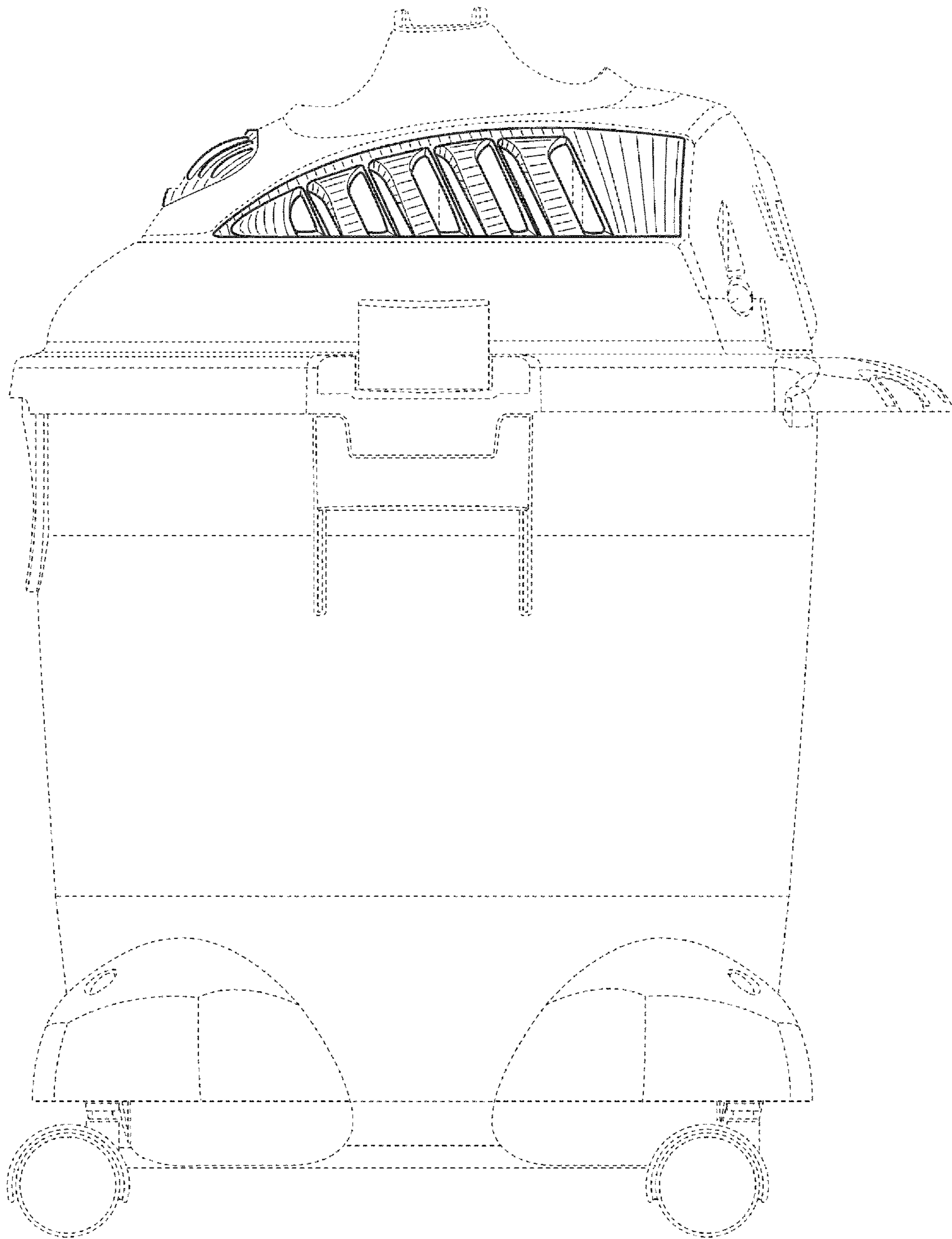




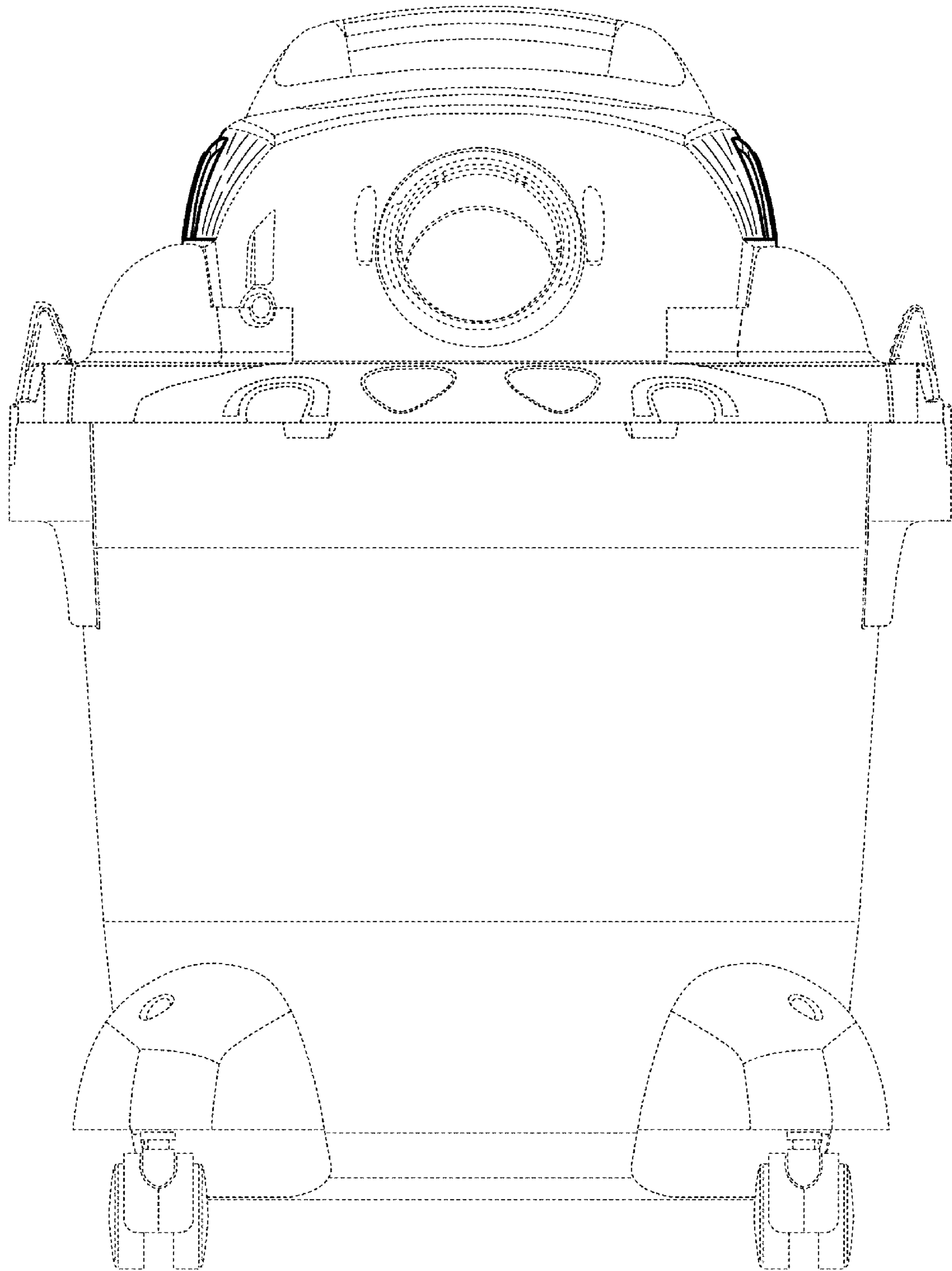
**FIG. 1**



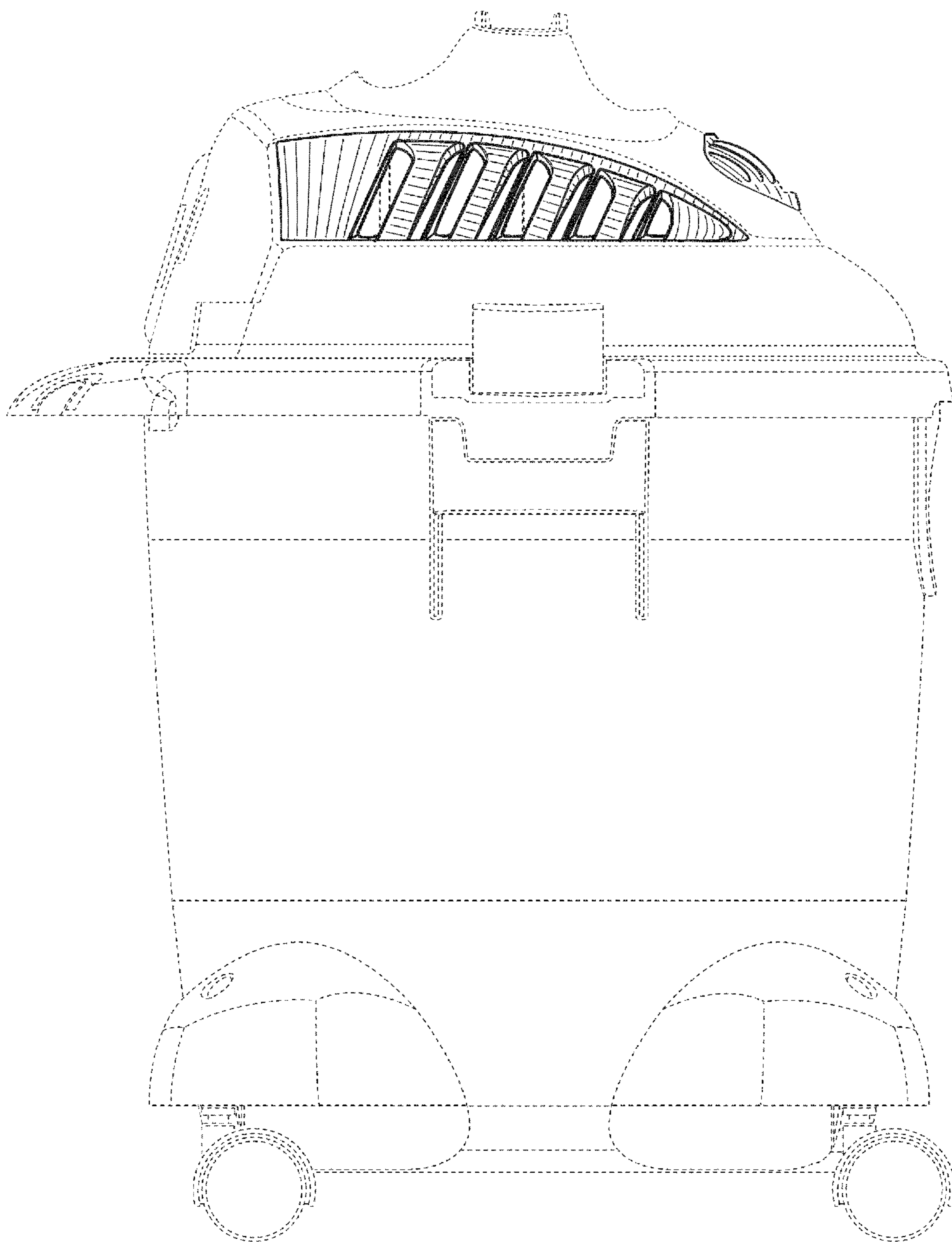
**FIG. 2**



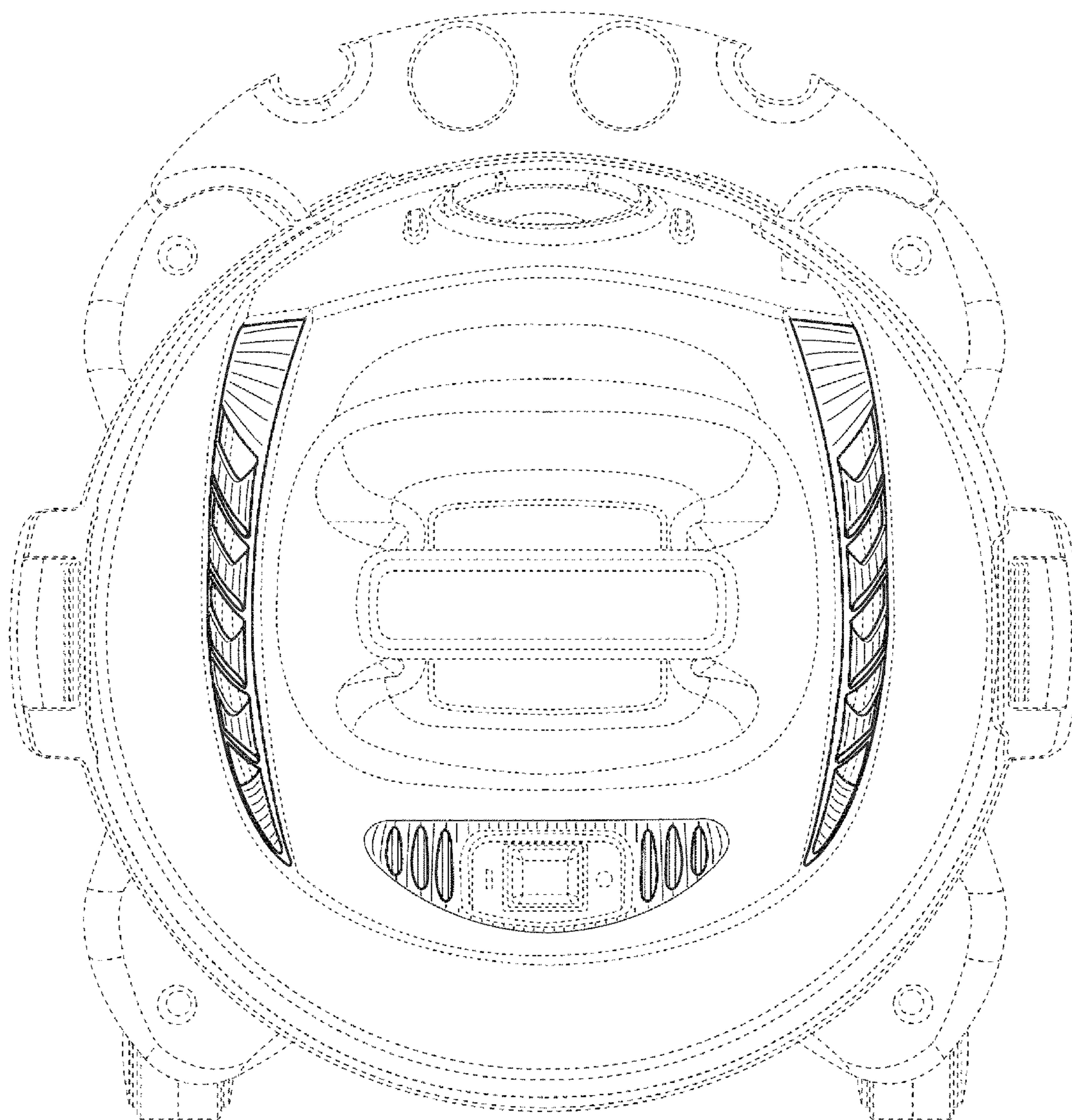
**FIG. 3**



**FIG. 4**



**FIG. 5**



**FIG. 6**