



US00D644799S

(12) **United States Design Patent**  
**Bruneel**

(10) **Patent No.:** **US D644,799 S**

(45) **Date of Patent:** **\*\* Sep. 6, 2011**

(54) **PRESSURE-SIDE AUTOMATIC POOL CLEANER**

(76) Inventor: **Jean Julien Bruneel**, Kowloon (HK)

(\*\*) Term: **14 Years**

(21) Appl. No.: **29/361,585**

(22) Filed: **May 13, 2010**

(30) **Foreign Application Priority Data**

Jul. 1, 2009 (EM) ..... 001 567 140

(51) **LOC (9) Cl.** ..... **15-05**

(52) **U.S. Cl.** ..... **D32/21**

(58) **Field of Classification Search** ..... D32/1,  
D32/21; 15/1.7; 29/596; 137/114, 907,  
137/899; 210/167.1, 167.12, 167.15, 167.16,  
210/167.18; 134/21; 180/306; 901/1; D15/7  
See application file for complete search history.

(56) **References Cited**

**U.S. PATENT DOCUMENTS**

D252,089 S *	6/1979	Pansini	.....	D32/25
D261,655 S *	11/1981	Pansini	.....	D32/32
4,498,206 A *	2/1985	Braukmann	.....	15/1.7
D305,815 S *	1/1990	Brooks	.....	D32/1
D358,235 S *	5/1995	Brooks et al.	.....	D32/1

5,720,068 A *	2/1998	Clark et al.	.....	15/1.7
5,799,351 A *	9/1998	Rief et al.	.....	15/1.7
D400,319 S *	10/1998	Hofheins et al.	.....	D32/1
5,882,512 A *	3/1999	Denkewicz et al.	.....	210/167.11
5,930,856 A *	8/1999	Van Der Meyden et al.	.....	15/1.7
D581,607 S *	11/2008	van der Meijden et al.	...	D32/15

\* cited by examiner

*Primary Examiner* — Ruth McInroy

(74) *Attorney, Agent, or Firm* — George G. Wang; Bei & Ocean

(57) **CLAIM**

The ornamental design for a pressure-side automatic pool cleaner, as shown and described.

**DESCRIPTION**

FIG. 1 is a perspective view of the pressure-side automatic pool cleaner showing the new design;  
FIG. 2 is a top view thereof;  
FIG. 3 is a bottom view thereof;  
FIG. 4 is a front view thereof;  
FIG. 5 is a rear view thereof;  
FIG. 6 is a left side view thereof; and,  
FIG. 7 is a right side view thereof.  
The details shown in broken lines form no part of the claimed design.

**1 Claim, 7 Drawing Sheets**

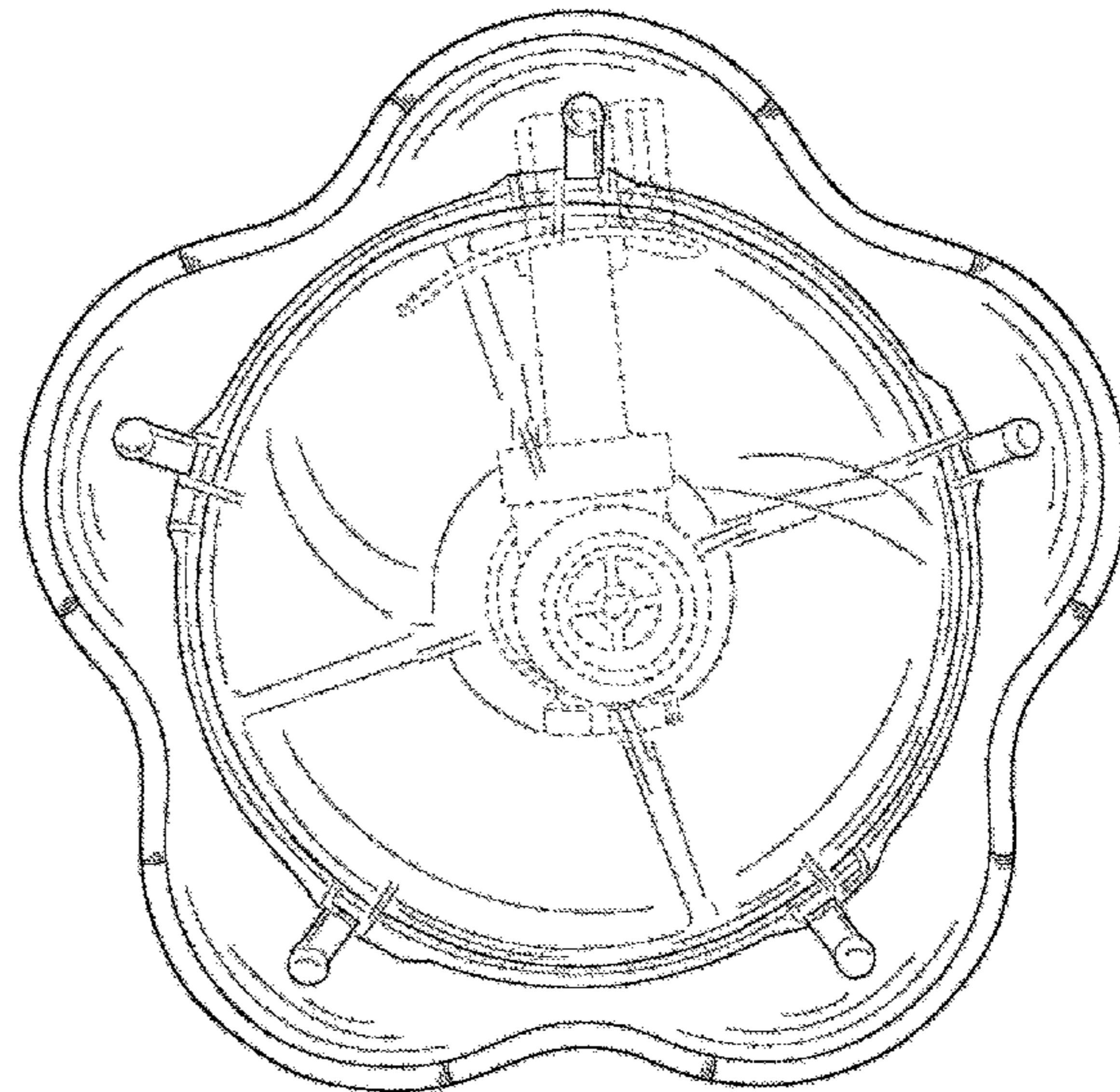
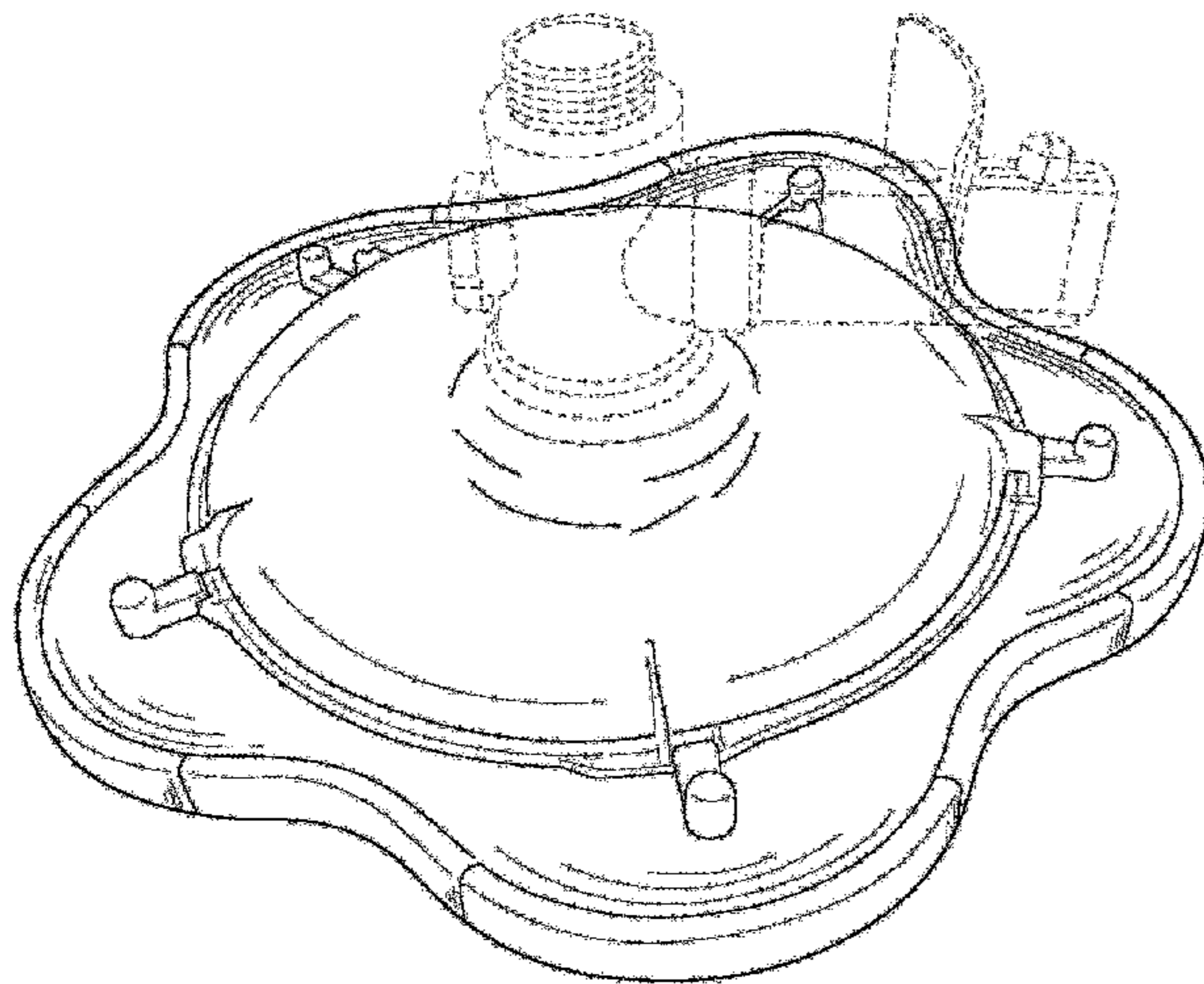


FIG. 1

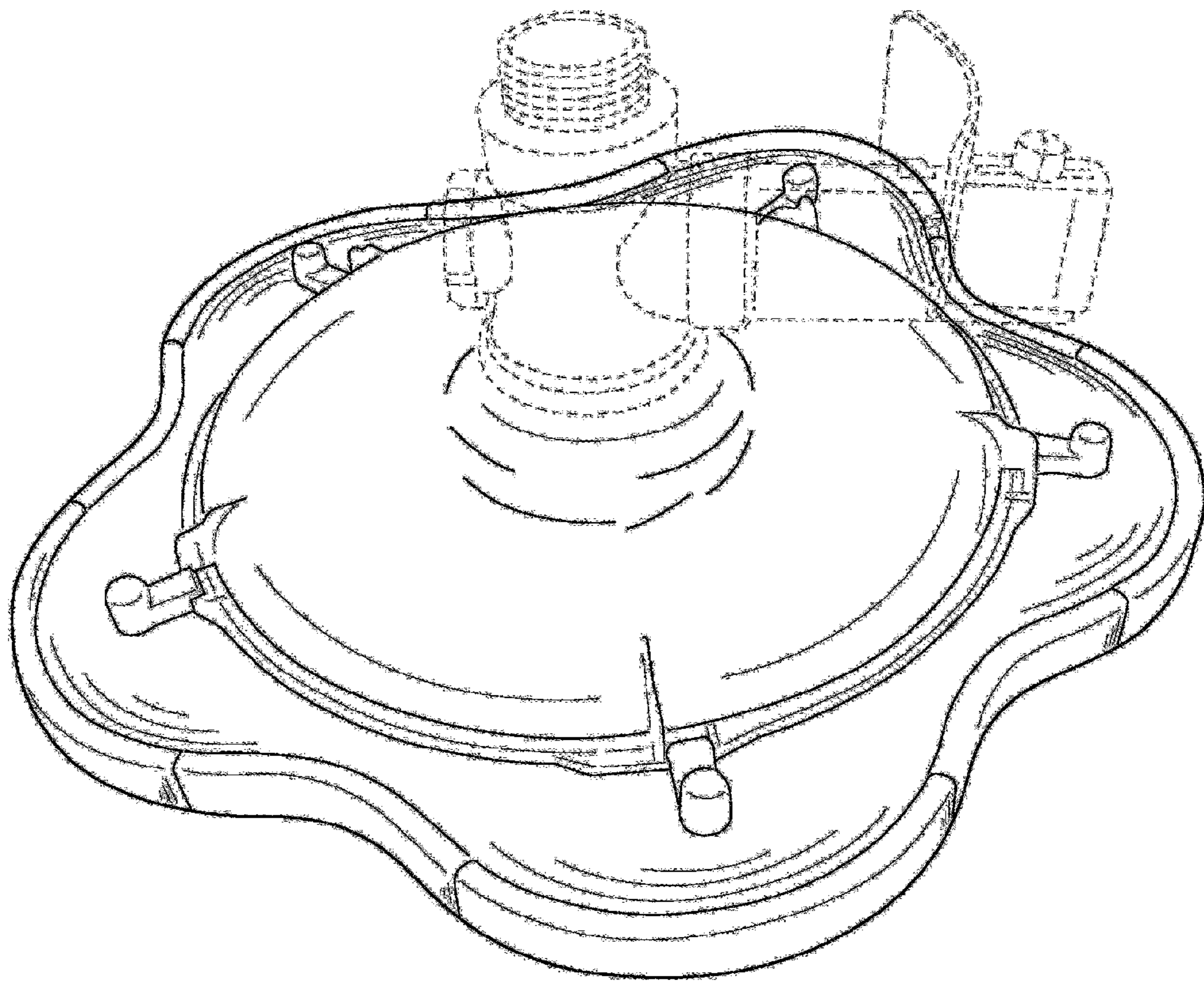


FIG. 2

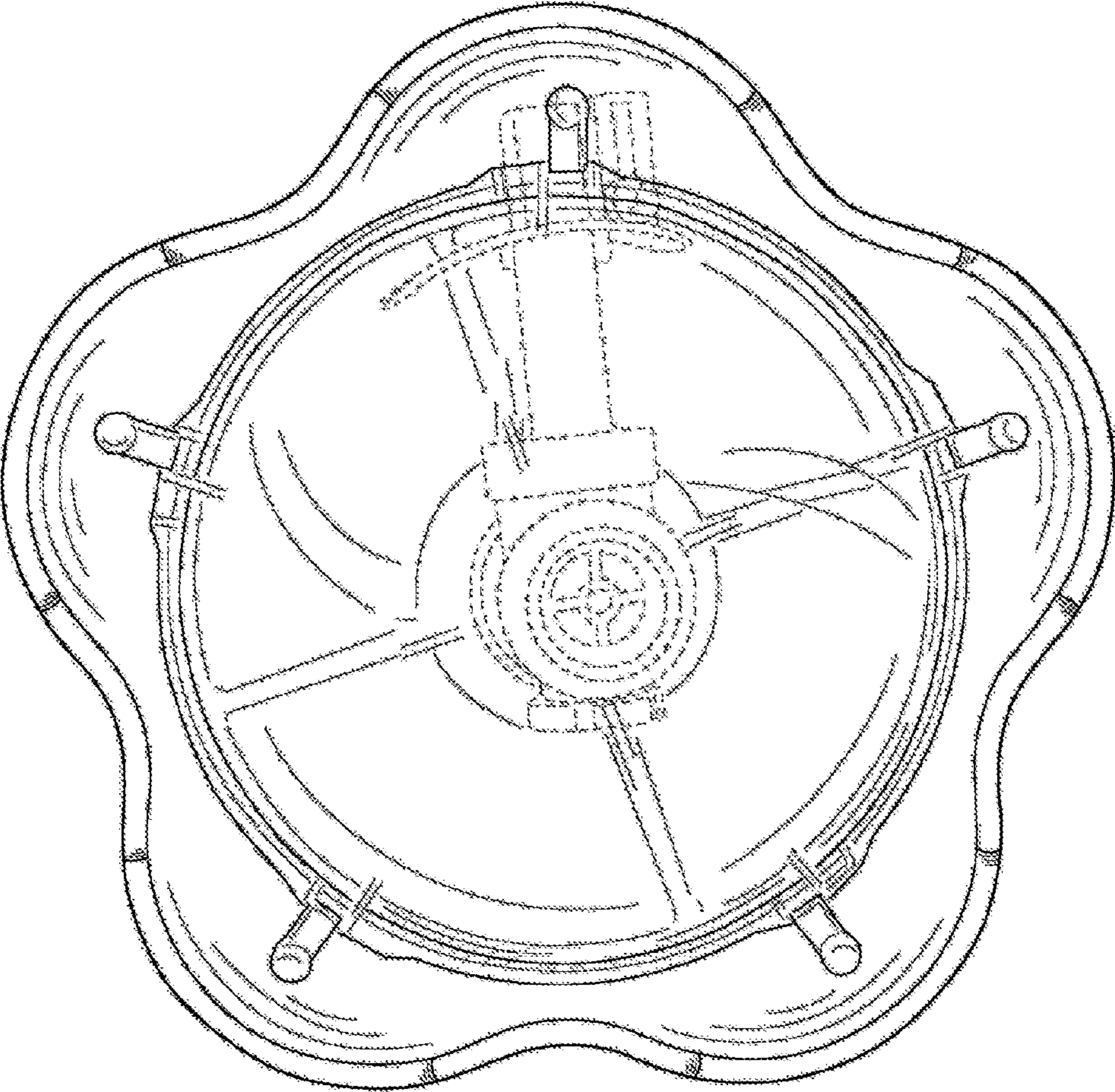


FIG. 3

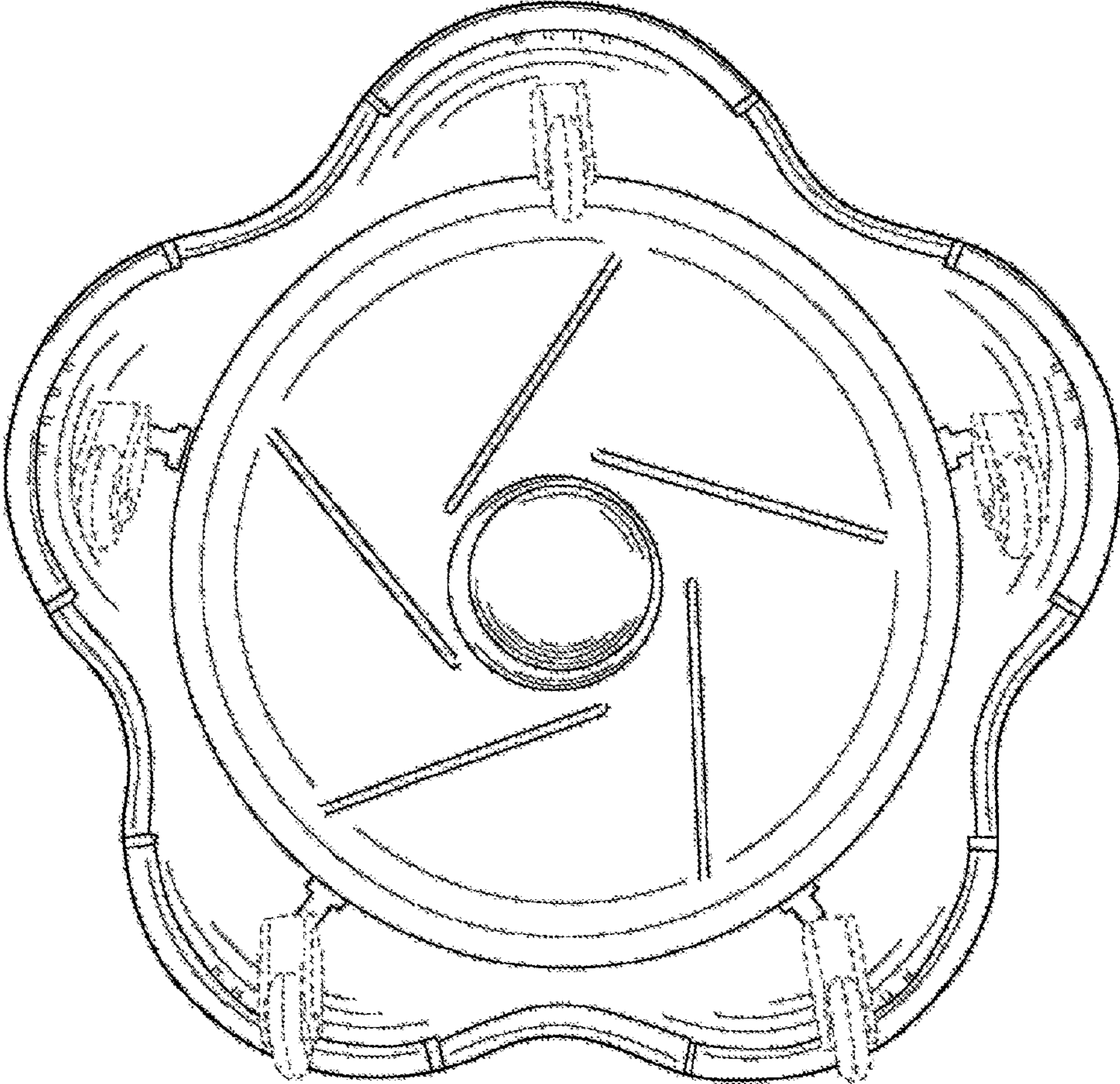


FIG. 4

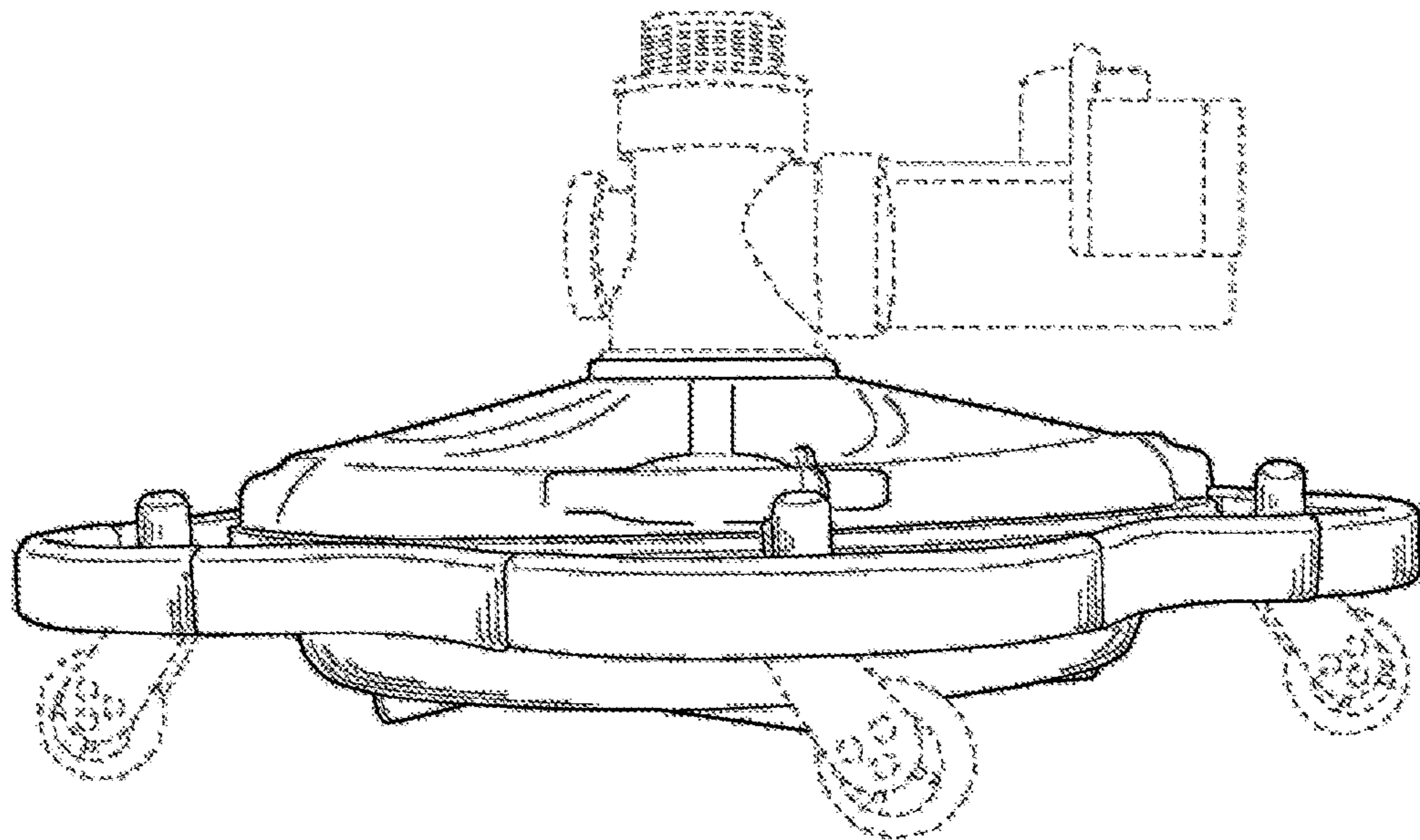


FIG. 5

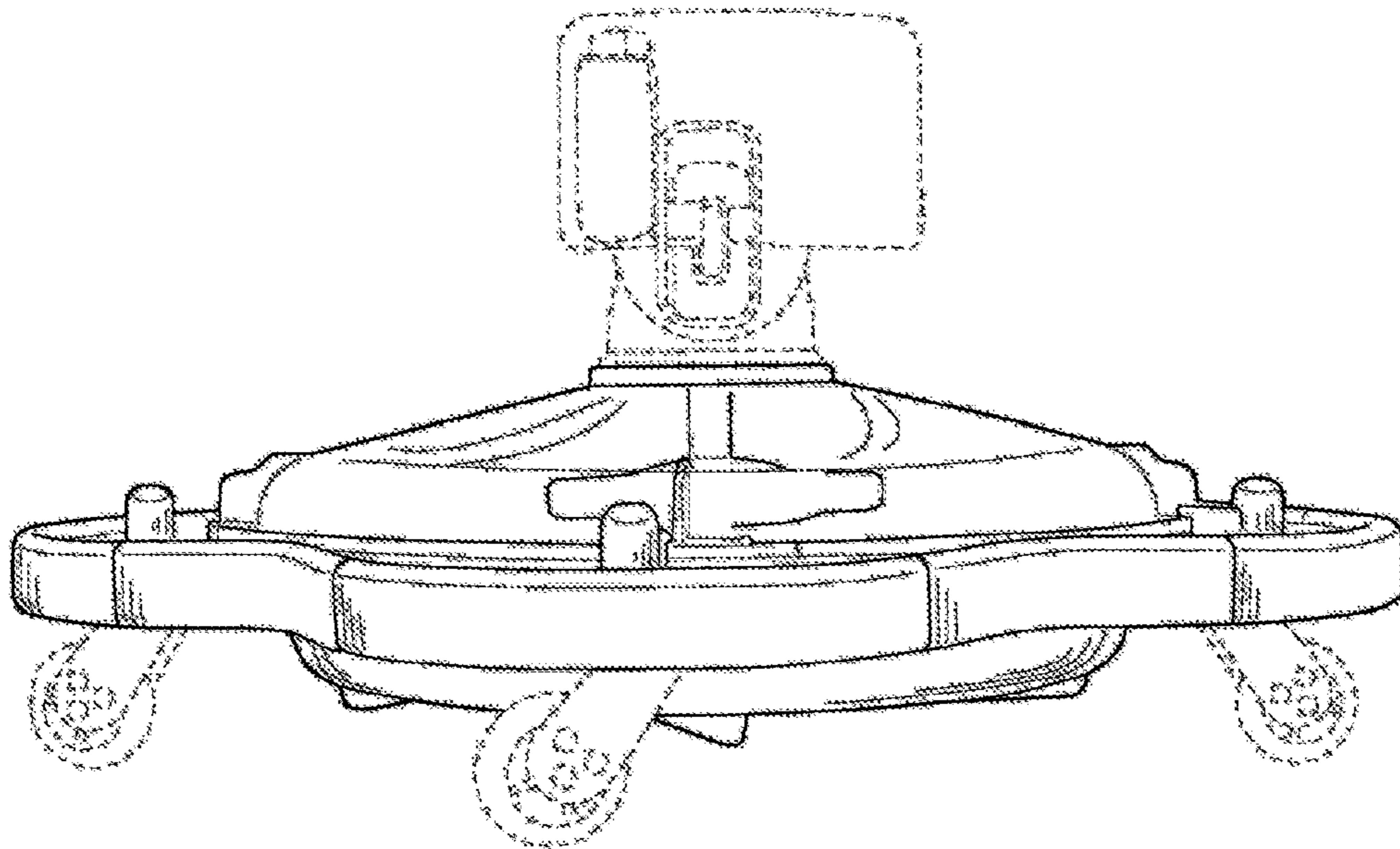


FIG. 6

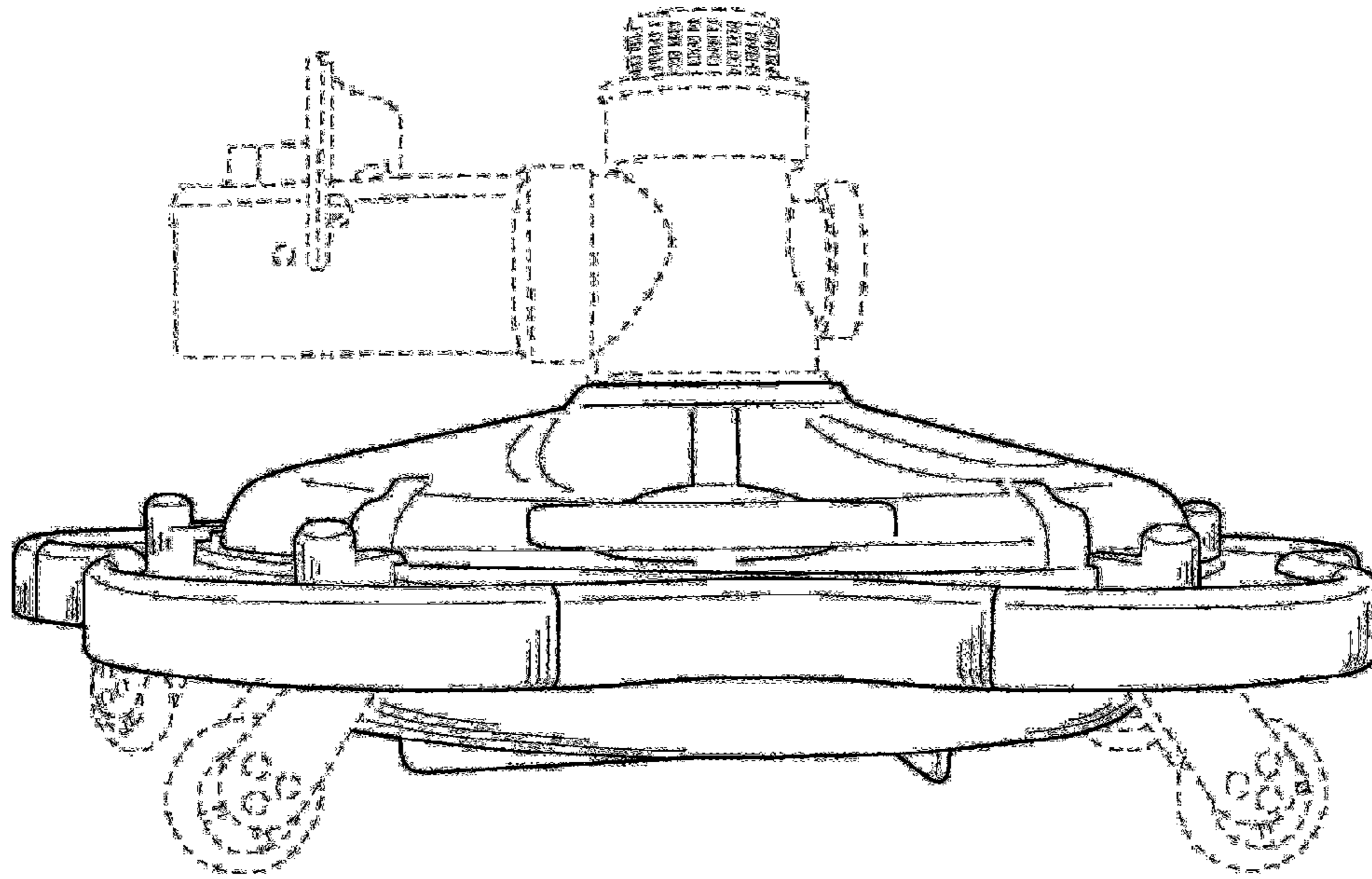


FIG. 7

