



US00D644798S

(12) **United States Design Patent**
Sendra

(10) **Patent No.:** **US D644,798 S**
(45) **Date of Patent:** **** Sep. 6, 2011**

- (54) **PET WASTE REMOVAL AND DISPOSAL DEVICE**
 - (76) Inventor: **Leigh Owen Sendra**, Dallas, TX (US)
 - (**) Term: **14 Years**
 - (21) Appl. No.: **29/382,503**
 - (22) Filed: **Jan. 4, 2011**
 - (51) **LOC (9) Cl.** **30-99**
 - (52) **U.S. Cl.** **D30/162**
 - (58) **Field of Classification Search** D30/161, D30/162, 199; D9/414, 432, 433, 721; D7/601, D7/602, 629; D24/121, 122, 123; 220/495.03, 220/200, 62.11, 62.13, 600, 660, 666, 667, 220/694, 710.5, 908, 908.1, 908.2; 294/1.3, 294/1.4, 1.5, 52; 119/867, 161, 165, 168, 119/169, 170, 171, 172; D29/113, 117.1, D29/118, 119
- See application file for complete search history.

5,406,649	A *	4/1995	Bolembach	2/158
D386,840	S *	11/1997	Sturm	D30/162
5,799,331	A *	9/1998	Stewart	2/159
5,806,099	A *	9/1998	Grinberg	2/158
D417,042	S *	11/1999	Hodges et al.	D30/162
6,058,882	A *	5/2000	Leutholt	119/161
6,116,194	A *	9/2000	Komarnitskiy	119/867
6,516,469	B1 *	2/2003	Schaetzel	2/16
6,611,961	B2 *	9/2003	Demeur et al.	2/159
D588,755	S *	3/2009	Farrell	D30/119
D613,465	S *	4/2010	Chapman	D30/161
7,908,673	B2 *	3/2011	Kerr-Maddox et al.	2/163
D636,134	S *	4/2011	Spurgeon	D30/161
D636,135	S *	4/2011	Spurgeon	D30/161
2005/0263107	A1 *	12/2005	Stephanos	119/867
2005/0279290	A1 *	12/2005	Hyland	119/867
2007/0245970	A1 *	10/2007	You	119/161
2009/0000557	A1 *	1/2009	Takahashi et al.	119/161

* cited by examiner

Primary Examiner — Stella Reid
Assistant Examiner — Elizabeth J Oswecki
 (74) *Attorney, Agent, or Firm* — Grady K. Bergen; Griggs Bergen LLP

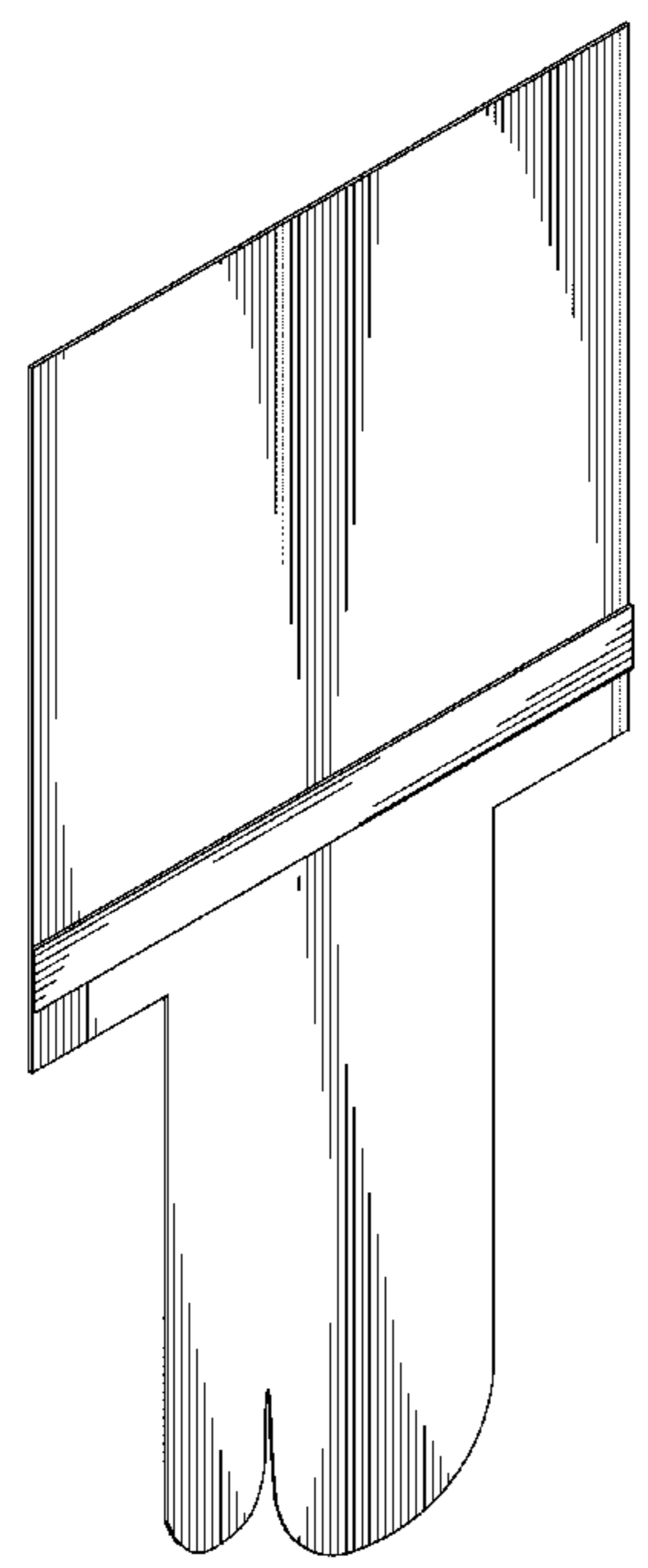
- (56) **References Cited**
- U.S. PATENT DOCUMENTS
- | | | | | | |
|-----------|-----|---------|-----------------|-------|---------|
| 3,744,453 | A * | 7/1973 | Deitch | | 294/1.5 |
| 3,786,780 | A * | 1/1974 | Pezzino | | 294/1.5 |
| 3,986,744 | A * | 10/1976 | Krogstad et al. | | 294/1.3 |
| 4,156,400 | A * | 5/1979 | Migdal | | 119/161 |
| 4,186,955 | A * | 2/1980 | Campbell | | 294/1.3 |
| D257,406 | S * | 10/1980 | Ouellette | | D30/162 |
| D279,512 | S * | 7/1985 | Schaffer | | D30/162 |
| 4,645,251 | A * | 2/1987 | Jacobs | | 294/1.3 |
| 4,677,697 | A * | 7/1987 | Hayes | | 2/159 |
| 4,741,565 | A * | 5/1988 | Bagg | | 294/1.3 |
| D297,474 | S * | 8/1988 | Jiracek | | D30/161 |
| D310,740 | S * | 9/1990 | Manschreck | | D30/161 |
| D311,795 | S * | 10/1990 | Manschreck | | D30/161 |
| 5,039,148 | A * | 8/1991 | Brautovich | | 294/1.3 |

(57) **CLAIM**
 The ornamental design for a pet waste removal and disposal device, as shown and described.

DESCRIPTION

FIG. 1 is a front perspective view of a pet waste removal and disposal device showing my design;
 FIG. 2 is a front elevational view of the device of FIG. 1;
 FIG. 3 is a rear elevational view of the device of FIG. 1;
 FIG. 4 is a left elevational side view of the device of FIG. 1; and,
 FIG. 5 is a right elevational side view of the device of FIG. 1.

1 Claim, 4 Drawing Sheets



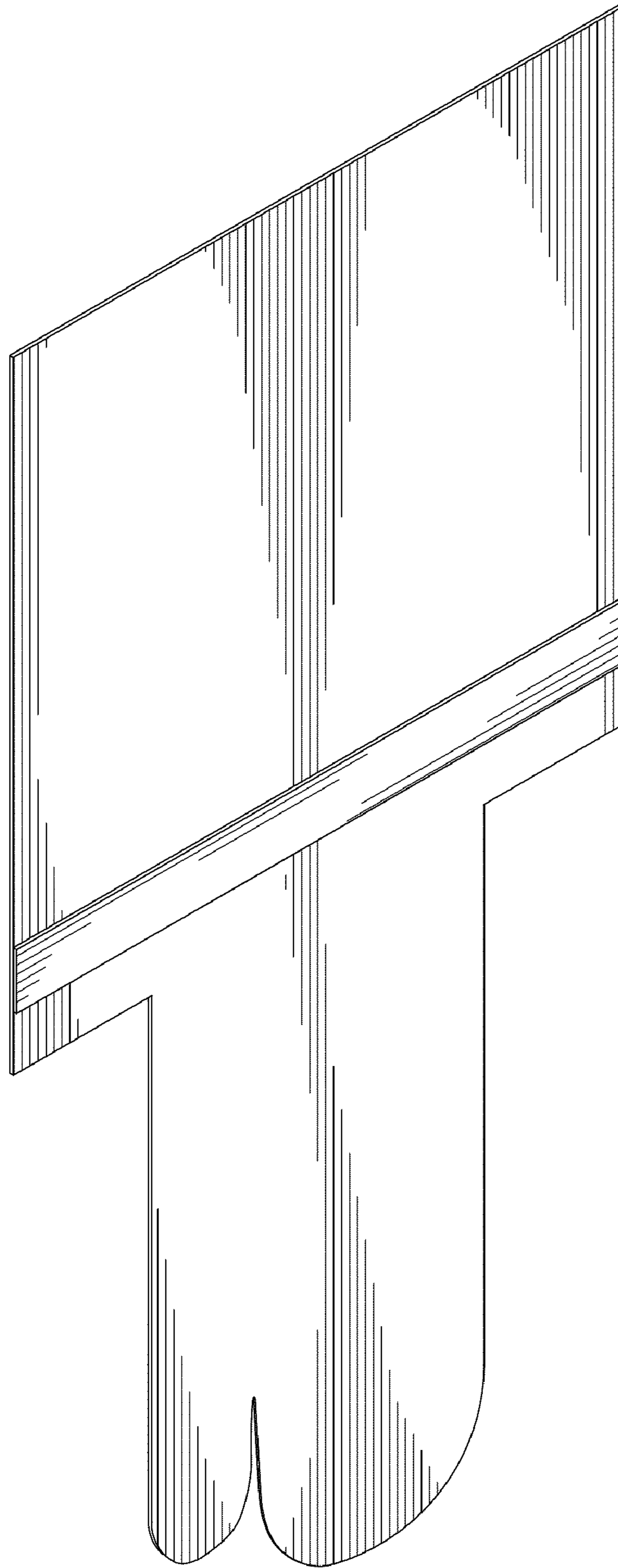


FIG. 1

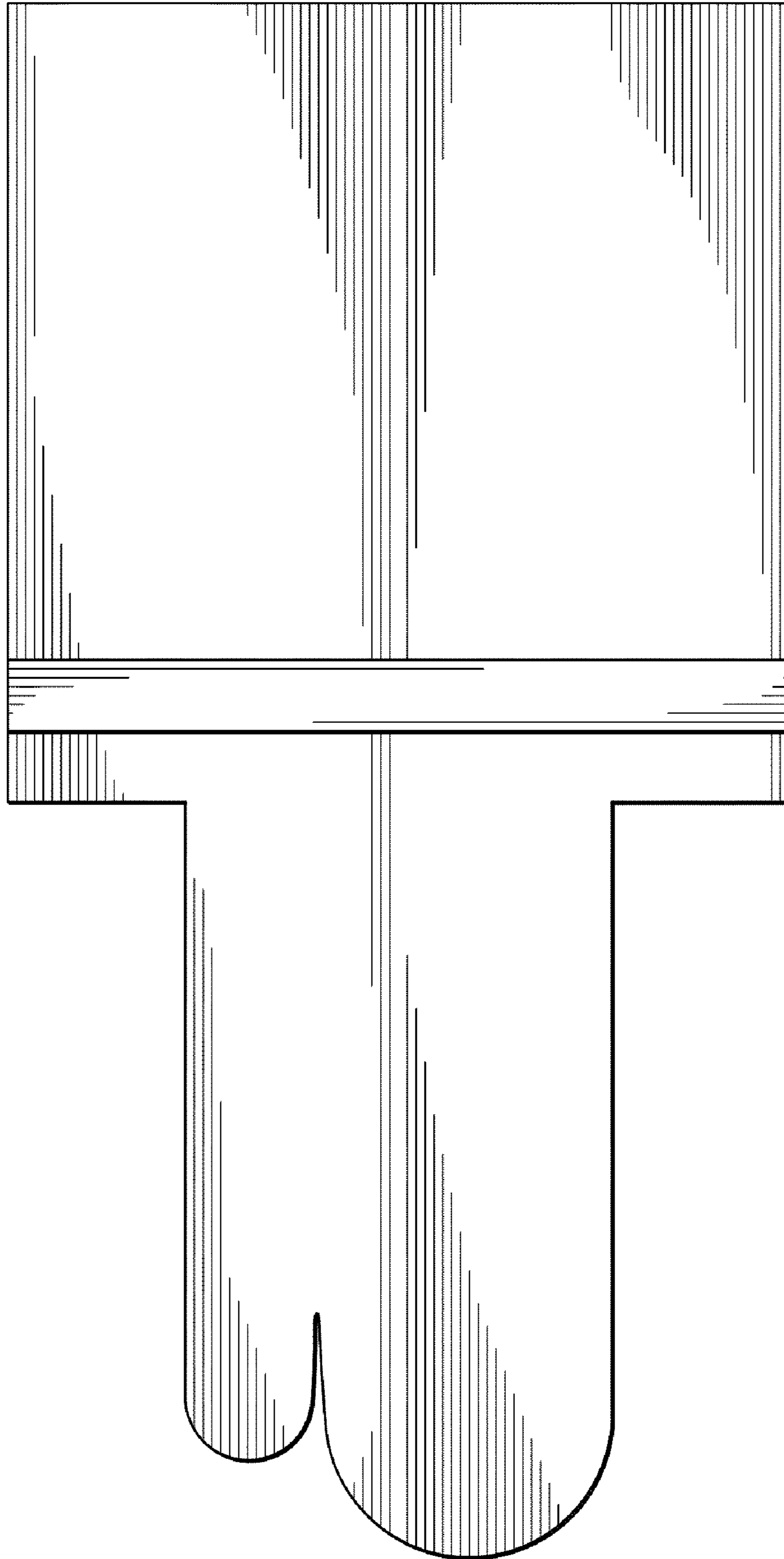


FIG. 2

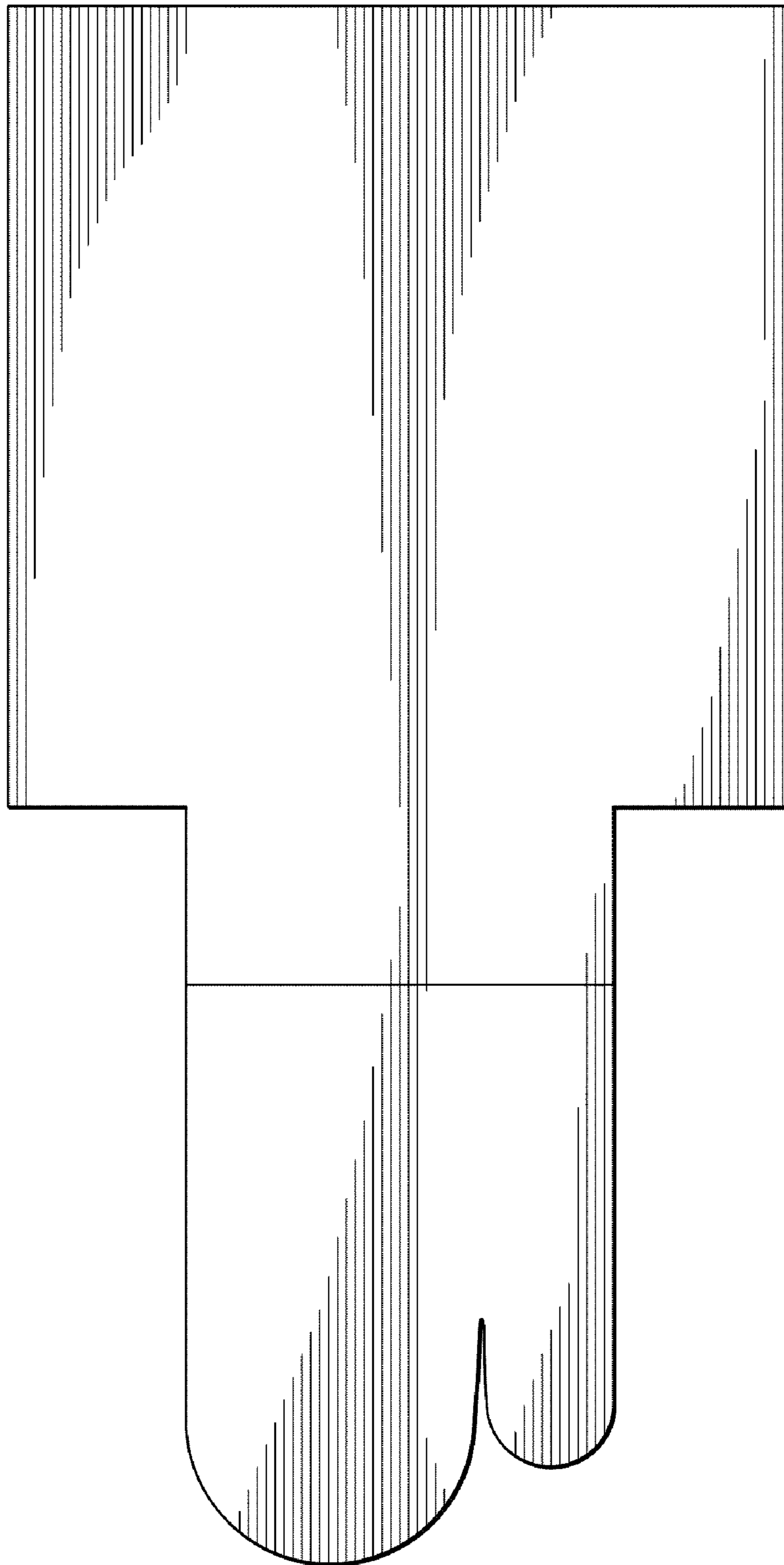


FIG. 3



FIG. 4



FIG. 5