



US00D644796S

(12) **United States Design Patent**
Haaf

(10) **Patent No.:** **US D644,796 S**

(45) **Date of Patent:** **** Sep. 6, 2011**

(54) **CAT SCRATCHER**

(75) **Inventor:** **David Haaf**, San Rafael, CA (US)

(73) **Assignee:** **Worldwise, Inc.**, San Rafael, CA (US)

(**) **Term:** **14 Years**

(21) **Appl. No.:** **29/368,819**

(22) **Filed:** **Aug. 30, 2010**

(51) **LOC (9) Cl.** **30-99**

(52) **U.S. Cl.** **D30/160**

(58) **Field of Classification Search** D30/108,
D30/112, 118-119, 158, 160; D6/349; 119/28.5,
119/706; 297/423.16, 423.39, 423.41
See application file for complete search history.

(56) **References Cited**

U.S. PATENT DOCUMENTS

D361,905 S *	9/1995	Adams et al.	D6/375
D407,266 S *	3/1999	Silva	D30/108
D530,933 S *	10/2006	Vitaro	D6/361
D612,546 S *	3/2010	Zine	D30/118

D627,112 S *	11/2010	Seliskar	D30/160
D627,523 S *	11/2010	Bise	D30/160
D627,524 S *	11/2010	Seliskar	D30/160
D633,662 S *	3/2011	Seliskar	D30/160

* cited by examiner

Primary Examiner — Cathy A MacCormac

(74) *Attorney, Agent, or Firm* — Bay Area Technology Law Group PC

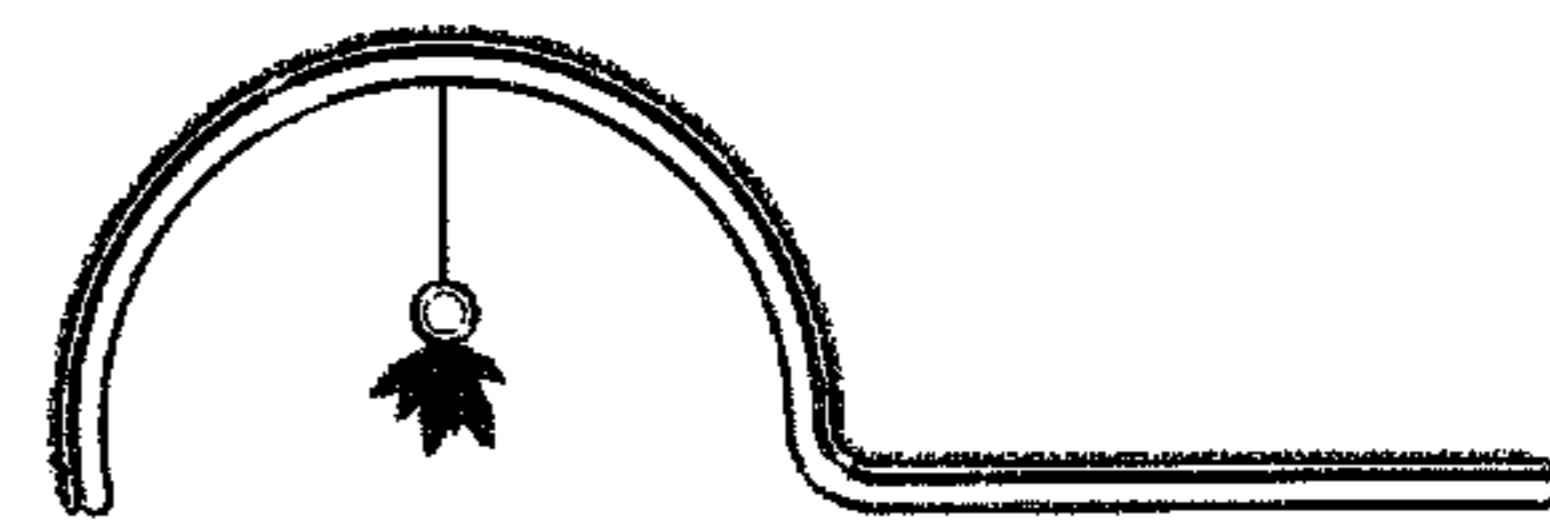
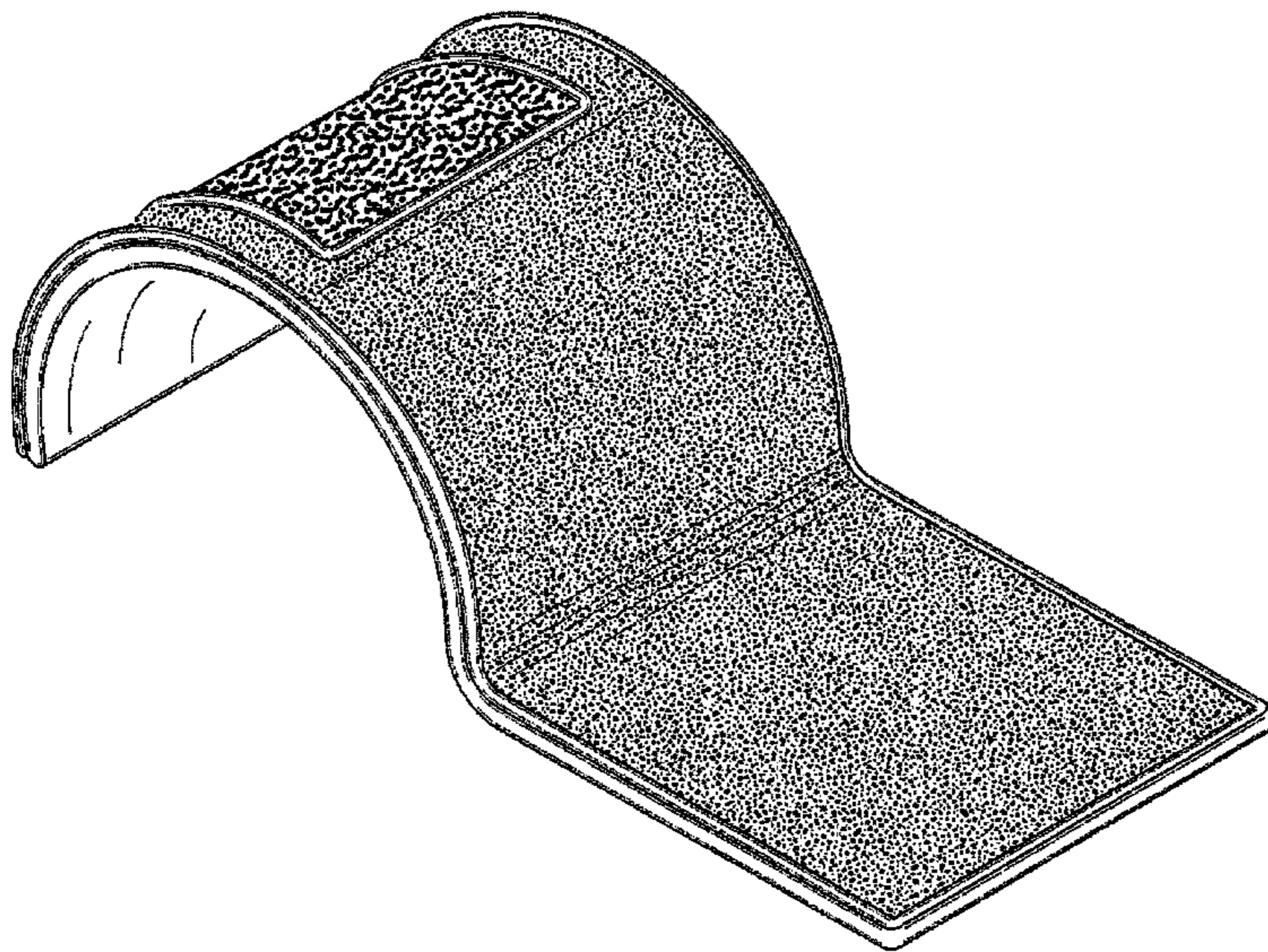
(57) **CLAIM**

The ornamental design for a cat scratcher, as shown and described.

DESCRIPTION

FIG. 1 is a perspective view of a cat scratcher showing my new design;
FIG. 2 is a left side view of FIG. 1;
FIG. 3 is a right side view of FIG. 1;
FIG. 4 is a front view of FIG. 1;
FIG. 5 is a rear view of FIG. 1;
FIG. 6 is a top plan view of FIG. 1; and,
FIG. 7 is a bottom plan view of FIG. 1.

1 Claim, 3 Drawing Sheets



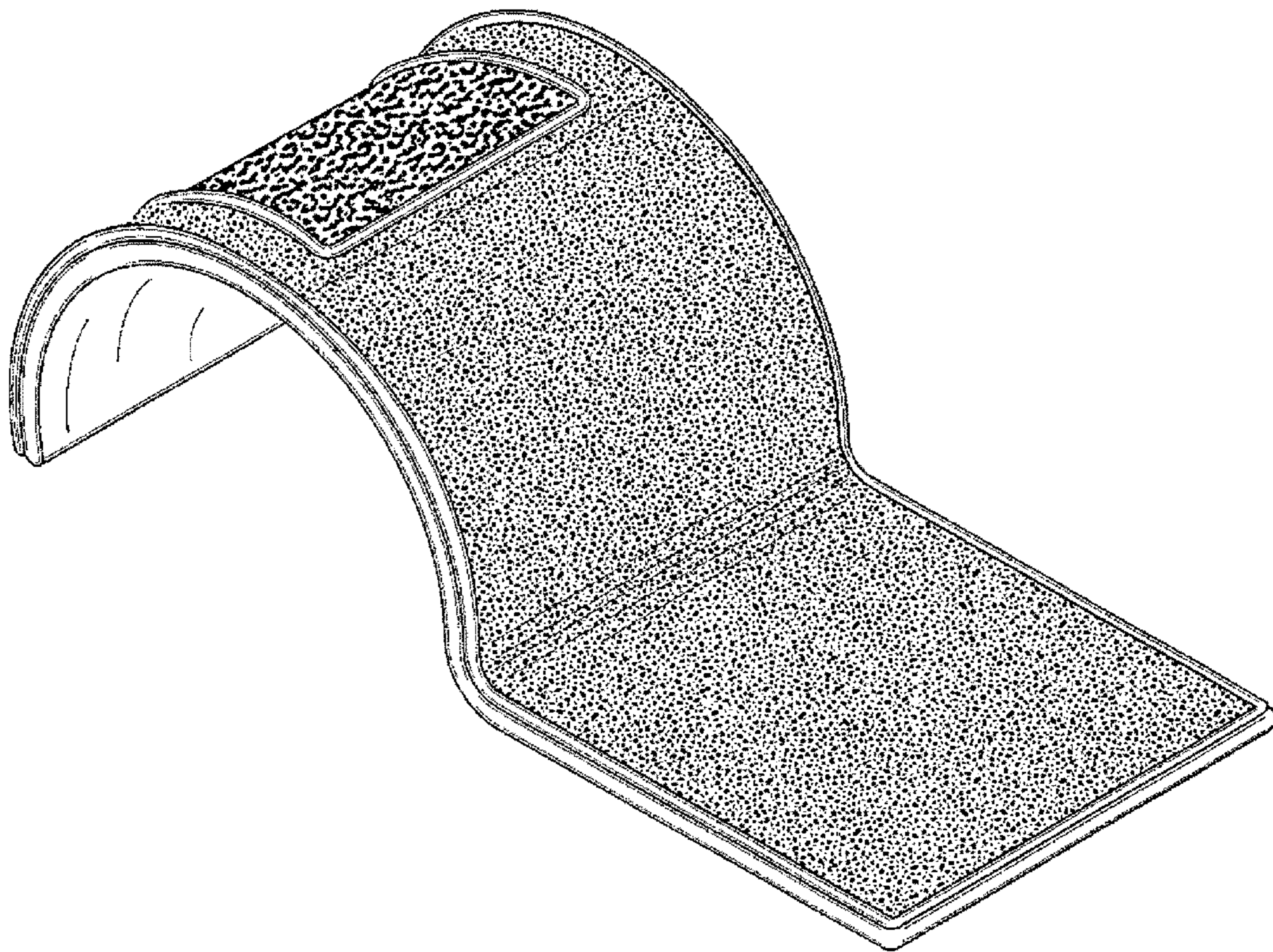


FIG. 1

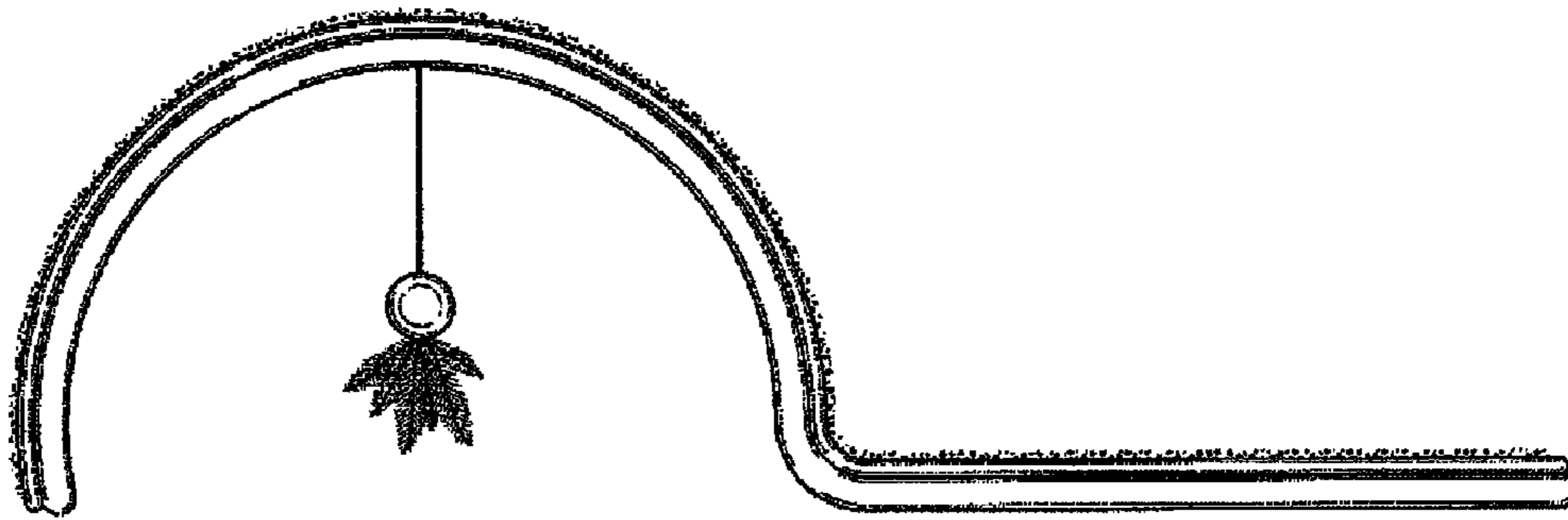


FIG. 2

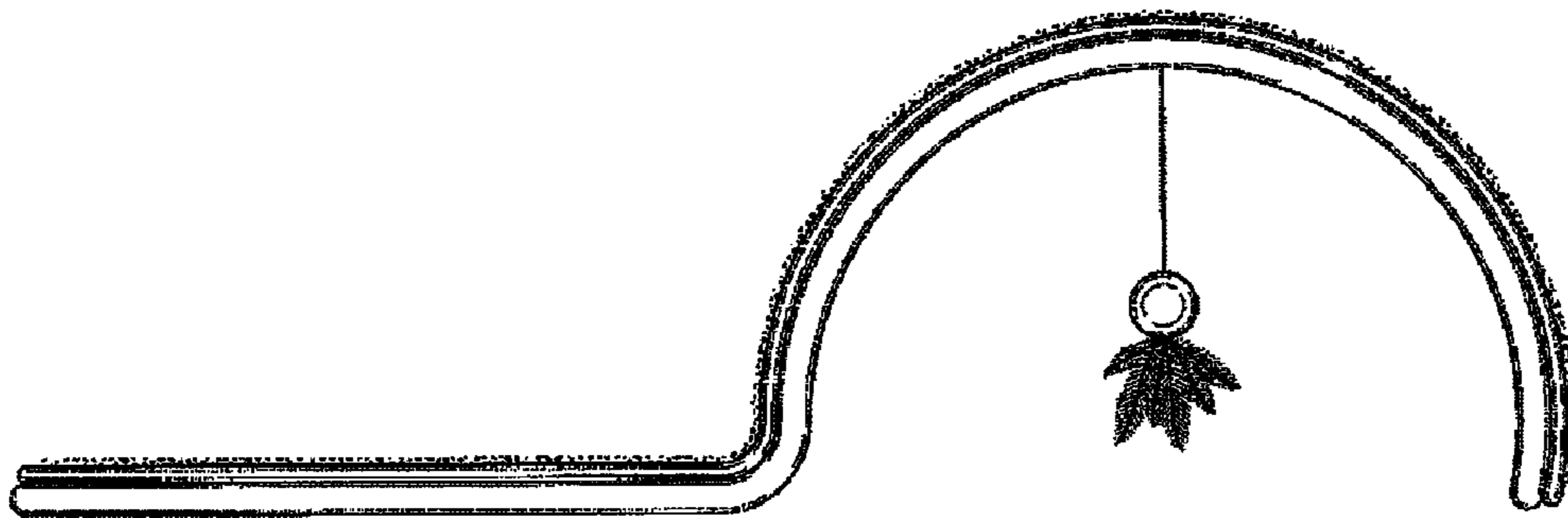


FIG. 3

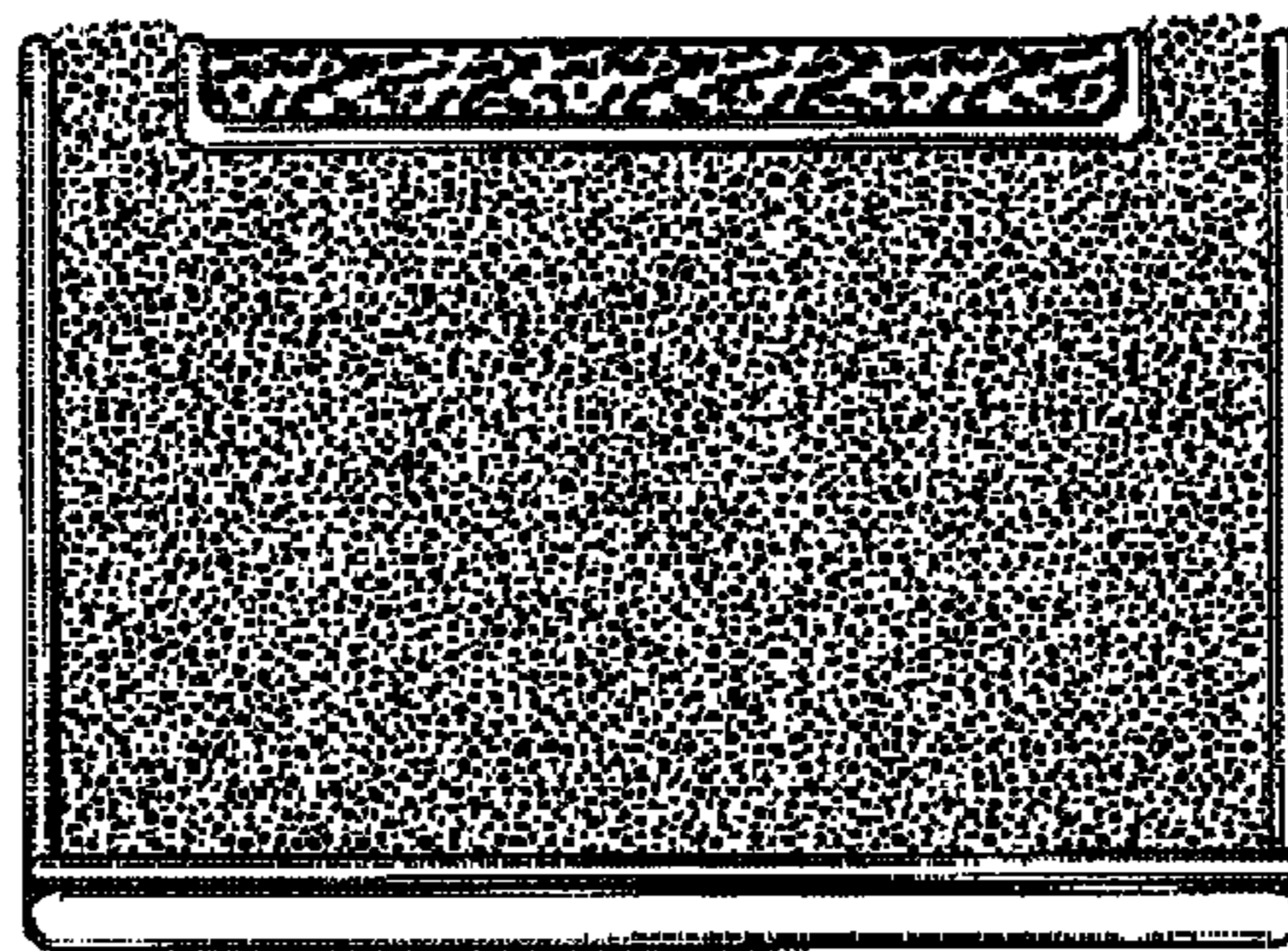


FIG. 4

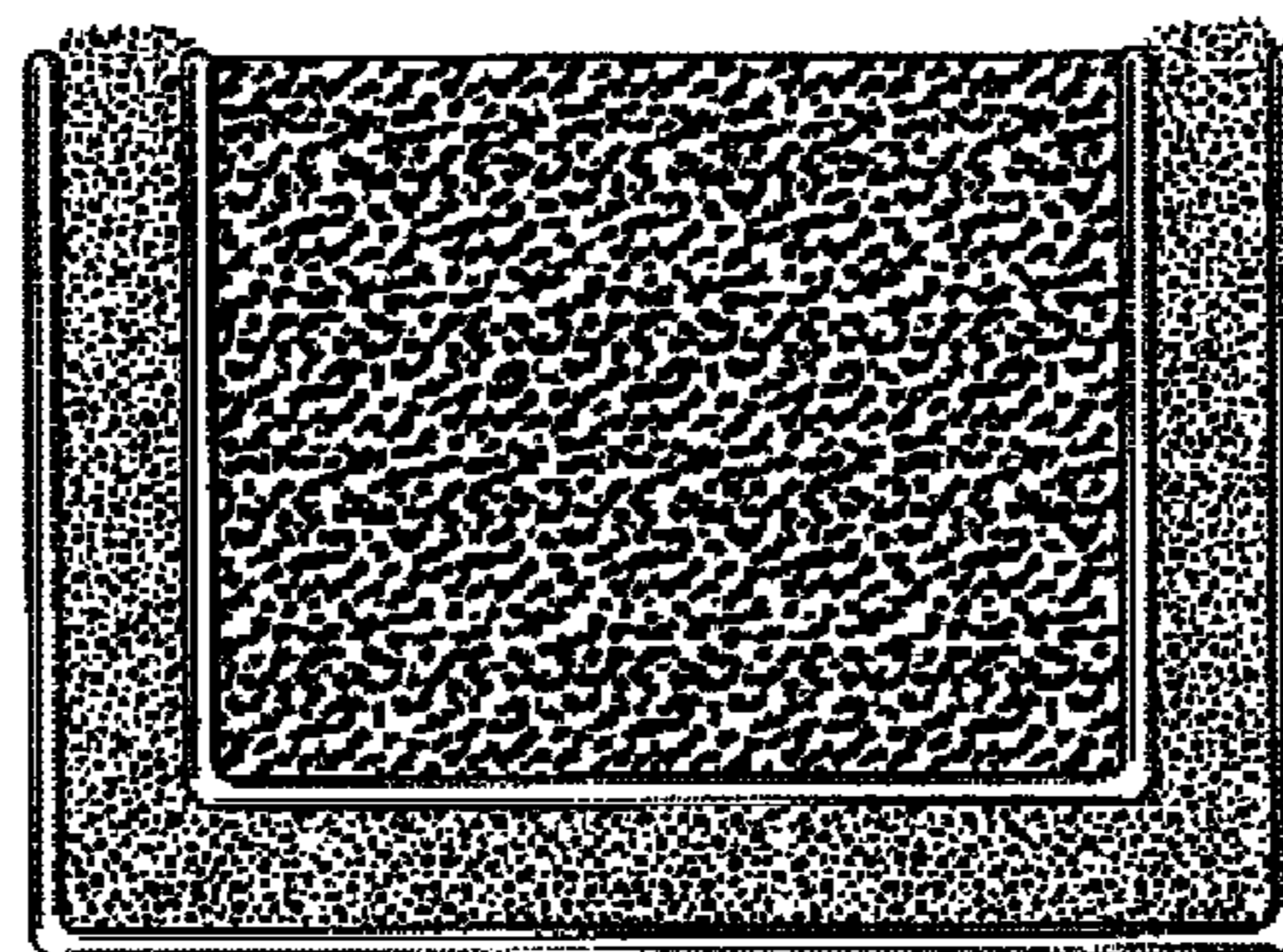


FIG. 5

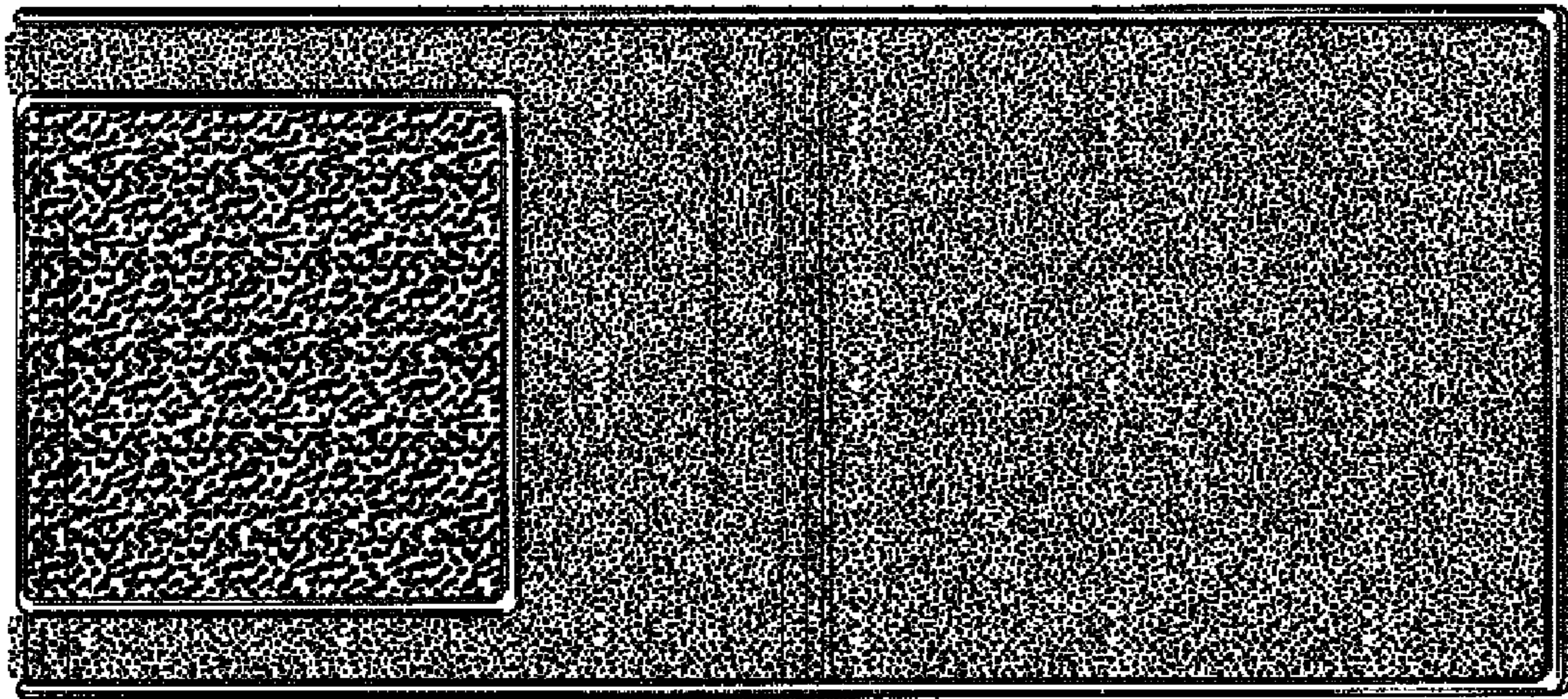


FIG. 6

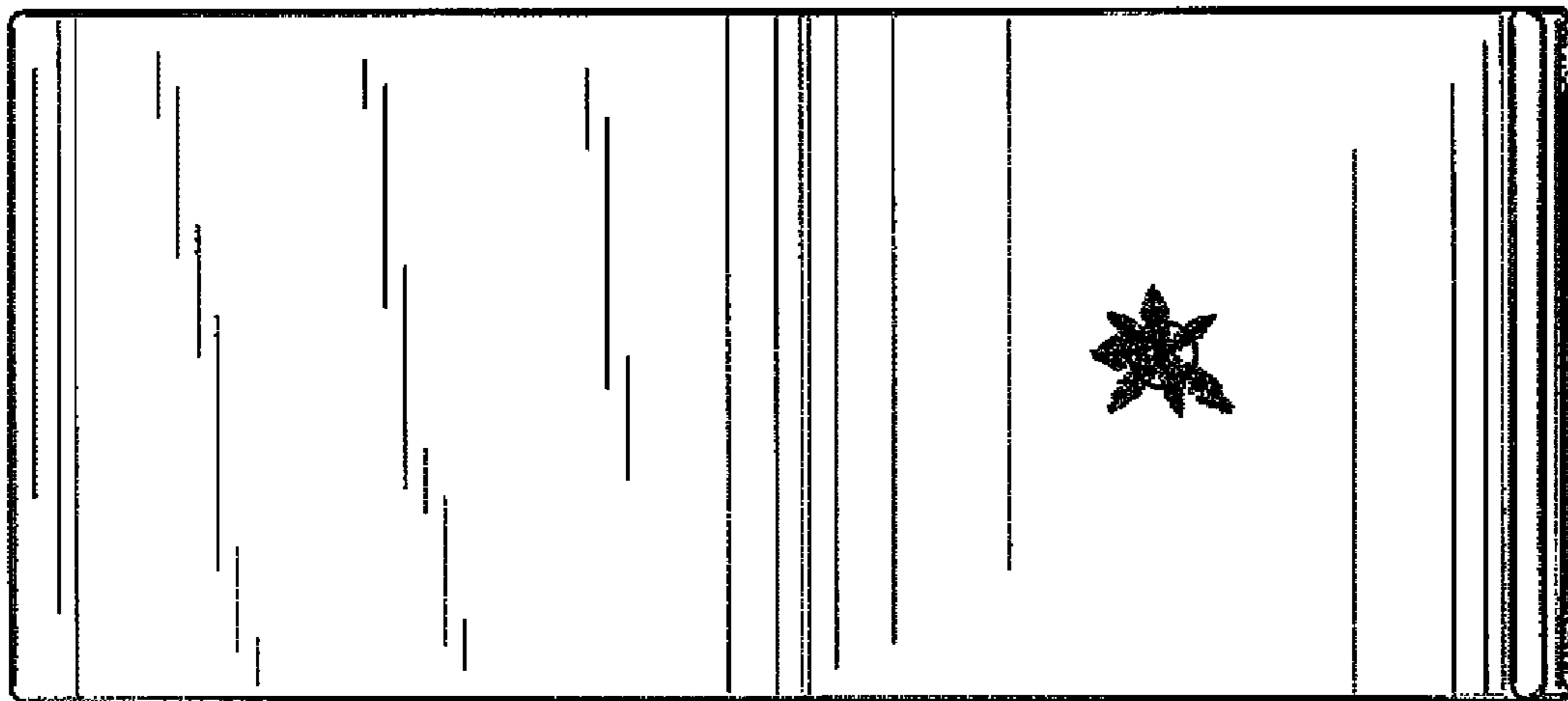


FIG. 7