



US00D644790S

(12) **United States Design Patent**  
**Lukan et al.**

(10) **Patent No.:** **US D644,790 S**  
(45) **Date of Patent:** **\*\* \*Sep. 6, 2011**

(54) **SAFETY RAZOR**

(75) Inventors: **Sean Lukan**, Milford, CT (US); **Gregg A. Micinilio**, Trumbull, CT (US)

(73) Assignee: **Eveready Battery Company, Inc.**, St. Louis, MO (US)

(\* ) Notice: This patent is subject to a terminal disclaimer.

(\*\*) Term: **14 Years**

(21) Appl. No.: **29/363,823**

(22) Filed: **Jun. 15, 2010**

(51) **LOC (9) Cl.** ..... **28-03**

(52) **U.S. Cl.** ..... **D28/48**

(58) **Field of Classification Search** ..... 30/32, 32.05,  
30/34.1-34.2, 41, 43-43.92, 44-51, 57-58,  
30/77-84, 526-539, 346.5-346.56, 346.61;  
D28/44-54

See application file for complete search history.

(56) **References Cited**

**U.S. PATENT DOCUMENTS**

D414,298 S	9/1999	Pennella et al.	
D559,455 S *	1/2008	Padain et al. ....	D28/48
D581,595 S	11/2008	Micinilio	
D603,558 S	11/2009	Micinilio	
D604,012 S	11/2009	Jung	
D615,248 S	5/2010	Rhoad	

D616,147 S	5/2010	Adams	
D617,950 S *	6/2010	Christie et al. ....	D28/47
D619,762 S *	7/2010	Micinilio ....	D28/47
D620,197 S *	7/2010	Micinilio ....	D28/48
D624,699 S *	9/2010	Micinilio ....	D28/46
D625,882 S *	10/2010	Wonderley et al. ....	D28/46
D635,716 S *	4/2011	Rhoad ....	D28/46
D636,938 S *	4/2011	White et al. ....	D28/48

**OTHER PUBLICATIONS**

U.S. Appl. No. 29/359,357, filed Apr. 9, 2010.

\* cited by examiner

*Primary Examiner* — Jennifer Rivard

(74) *Attorney, Agent, or Firm* — Energizer Personal Care, LLC

(57) **CLAIM**

We claim the ornamental design for the safety razor, as shown and described.

**DESCRIPTION**

FIG. 1 is an upper perspective view of a safety razor.

FIG. 2 is a lower perspective view thereof.

FIG. 3 is a front view thereof.

FIG. 4 is a rear view thereof.

FIG. 5 is a right side view of FIG. 4.

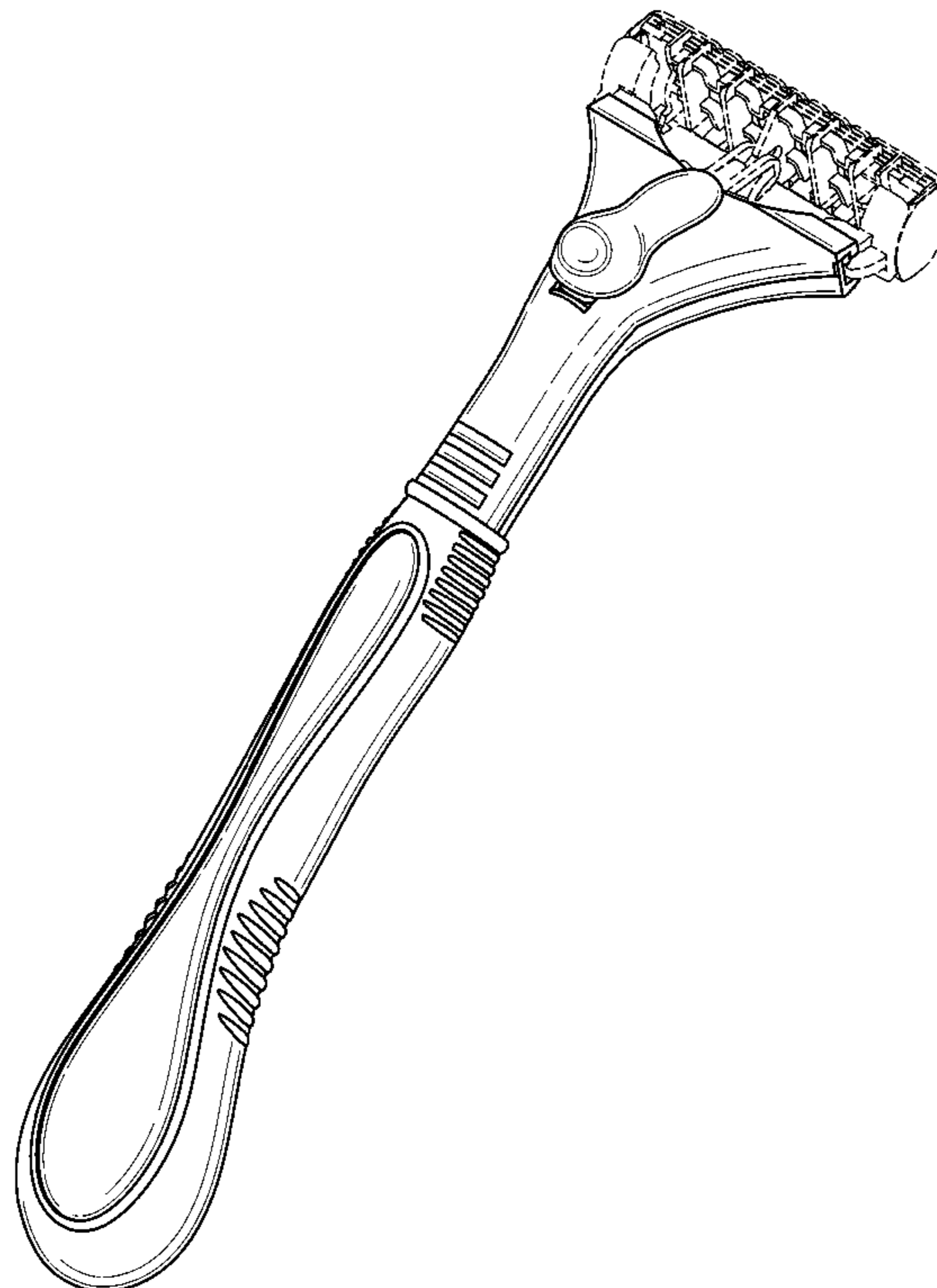
FIG. 6 is a left side view of FIG. 4.

FIG. 7 is a top end view thereof; and,

FIG. 8 is a bottom end view thereof.

The broken lines in the figures depict environmental subject matter only and form no part of the claimed design.

**1 Claim, 6 Drawing Sheets**



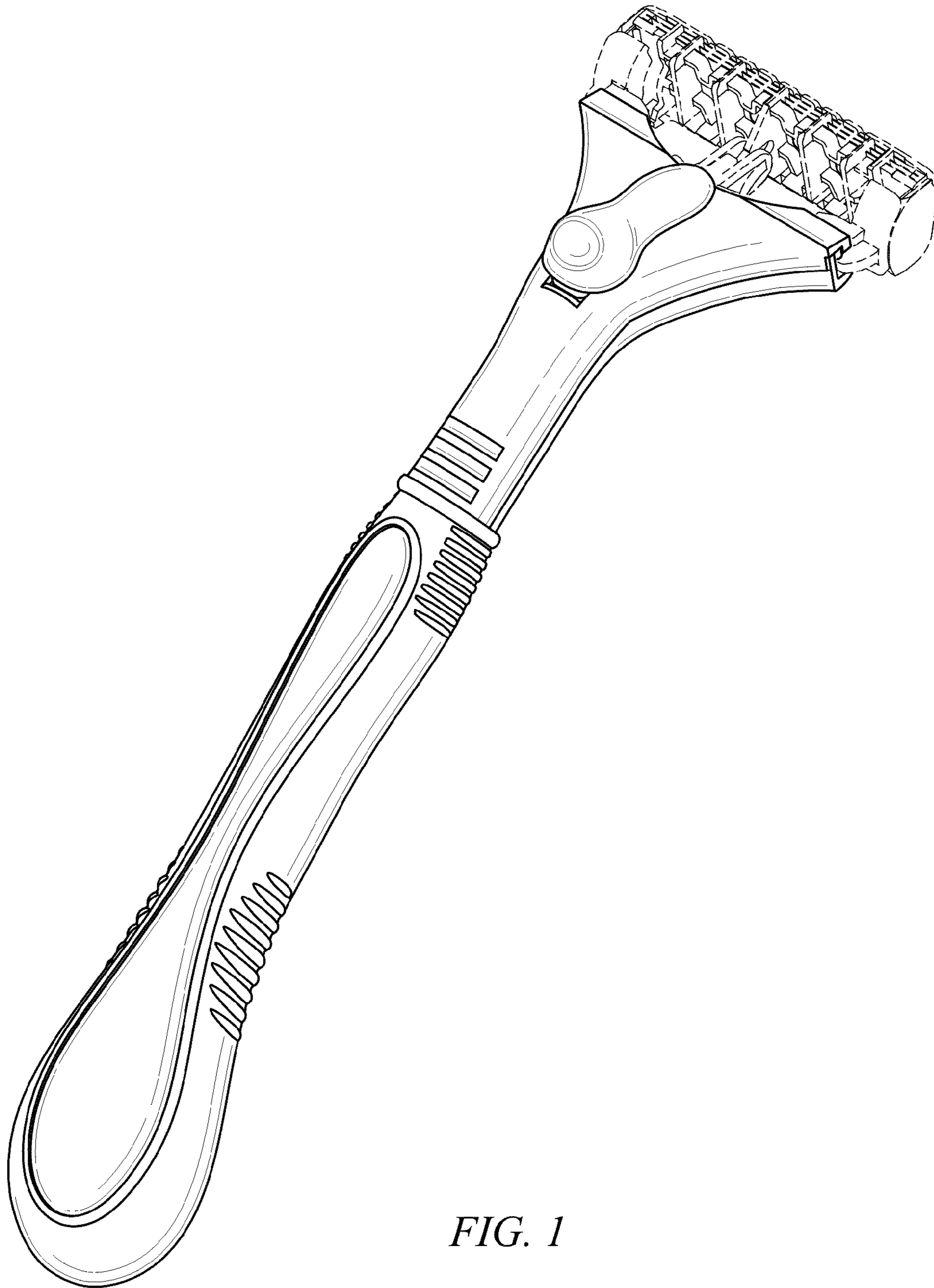


FIG. 1

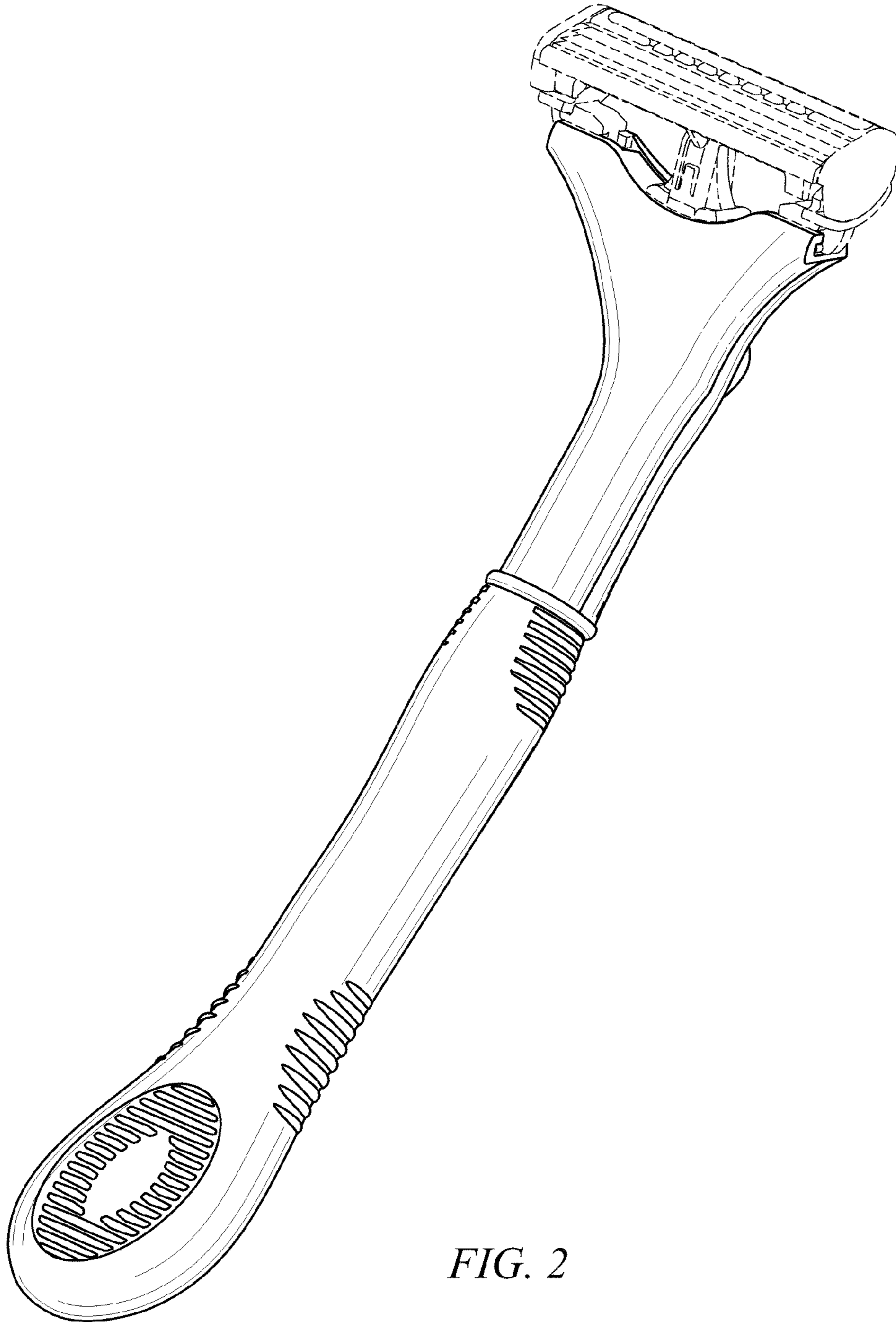


FIG. 2

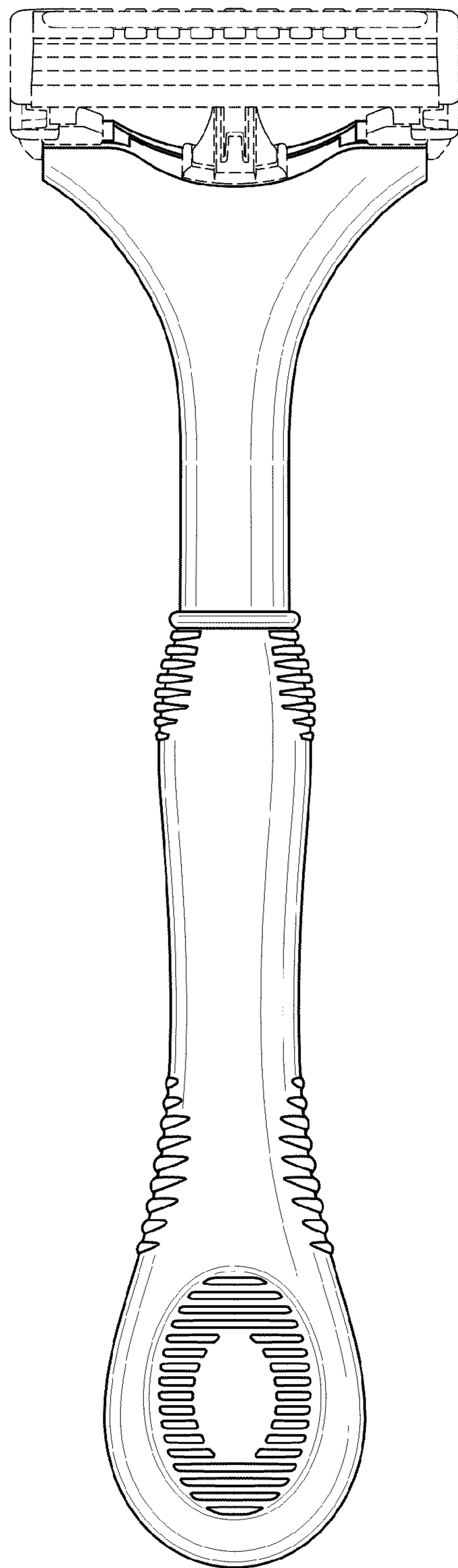


FIG. 3

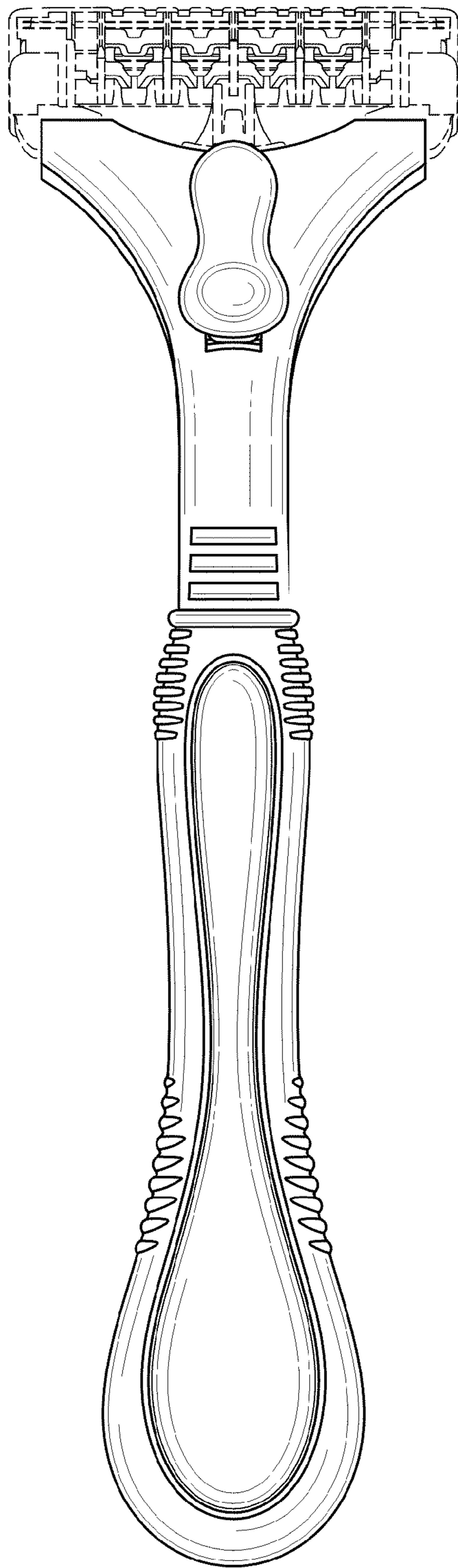


FIG. 4

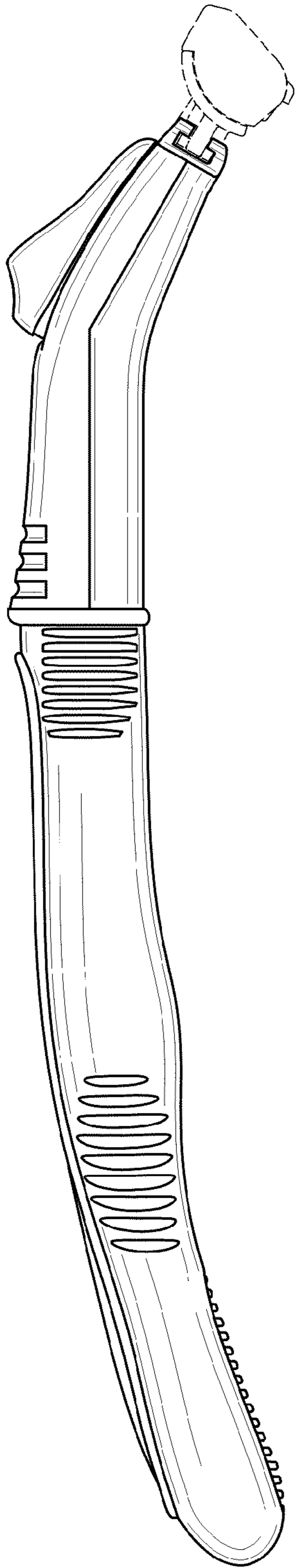


FIG. 5

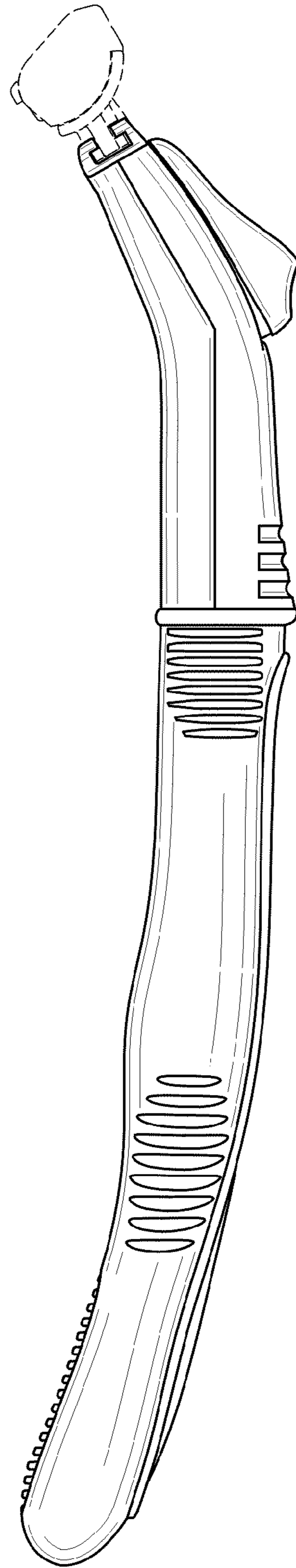
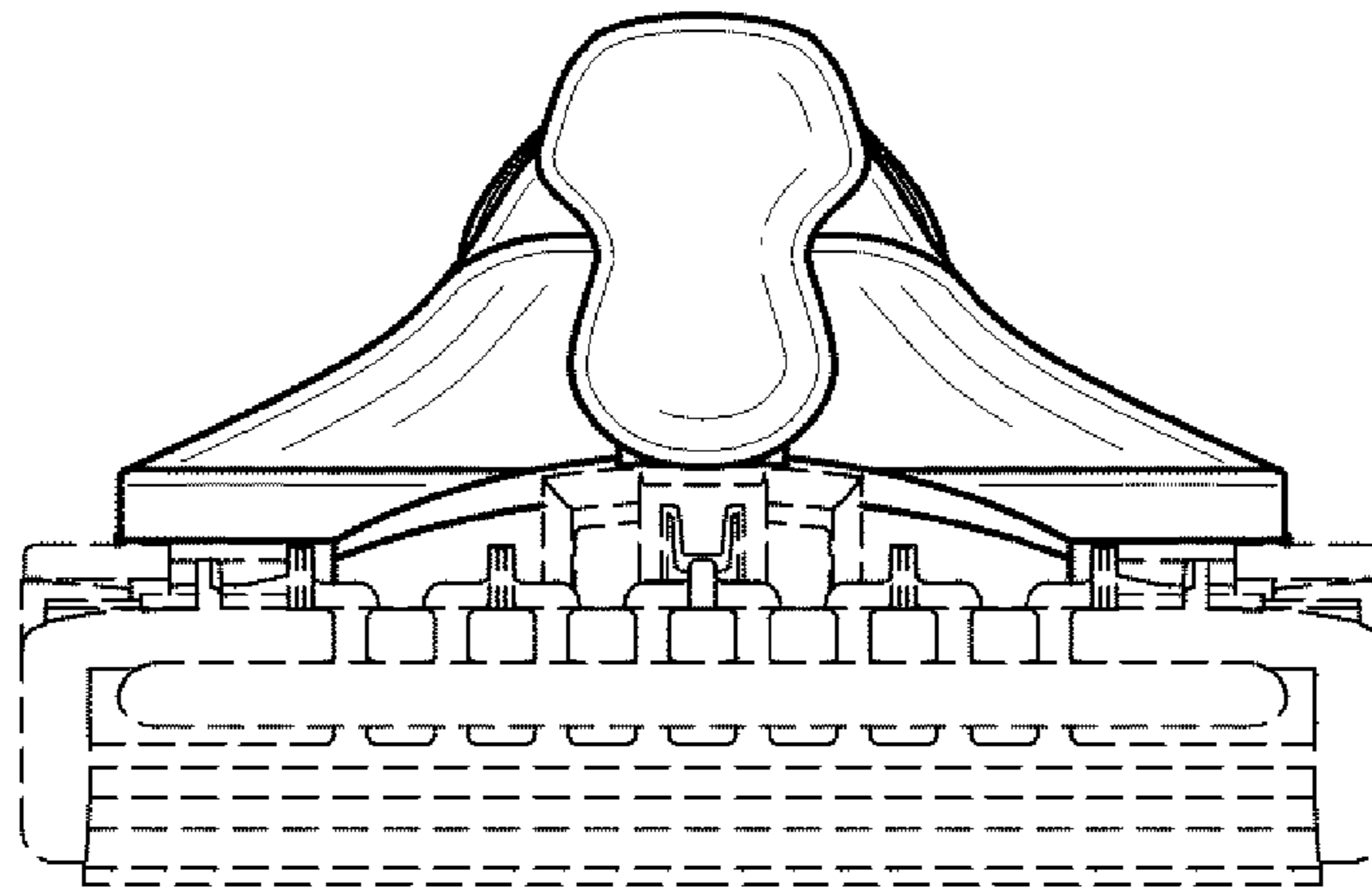
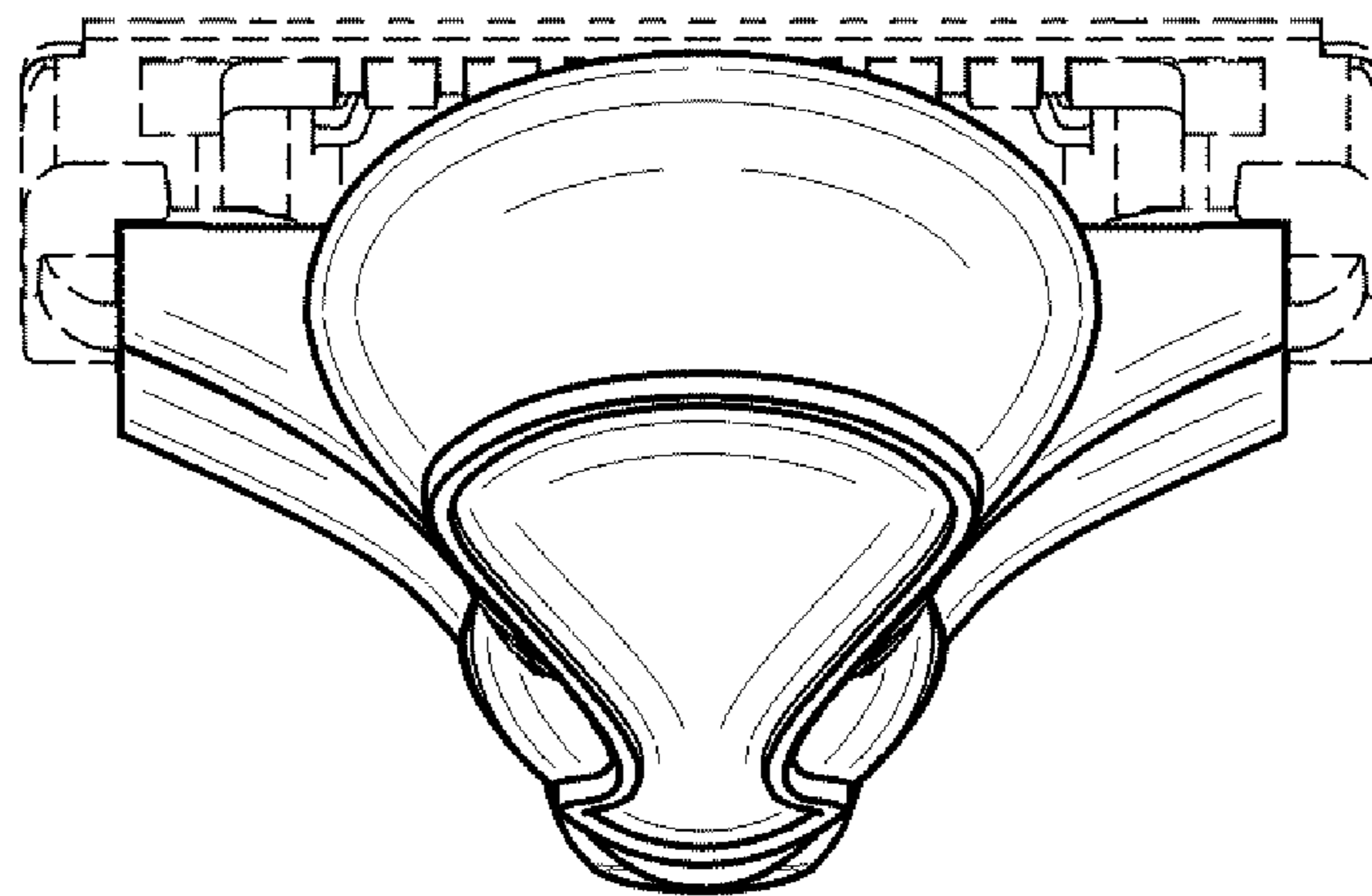


FIG. 6



*FIG. 7*



*FIG. 8*