



US00D644787S

(12) **United States Design Patent**  
**Wain**

(10) **Patent No.:** **US D644,787 S**  
(45) **Date of Patent:** **\*\* Sep. 6, 2011**

(54) **LIQUID DISPENSING HAIR REMOVAL APPLICATOR**

(75) Inventor: **Kevin James Wain**, Reading (GB)

(73) Assignee: **The Gillette Company**, Boston, MA (US)

(\*\*) Term: **14 Years**

(21) Appl. No.: **29/389,430**

(22) Filed: **Apr. 12, 2011**

(51) **LOC (9) Cl.** ..... **28-02**

(52) **U.S. Cl.** ..... **D28/7**

(58) **Field of Classification Search** ..... D28/7,  
D28/8, 20-22, 30-31, 76, 85, 99; 132/108,  
132/202, 208, 317, 320; 401/202-207, 261-267;  
D4/132-135; D24/119; D9/723-726  
See application file for complete search history.

(56) **References Cited**

**U.S. PATENT DOCUMENTS**

4,078,865	A *	3/1978	Moser	.....	401/23
4,889,441	A	12/1989	Tice		
5,016,351	A	5/1991	Drahus		
D320,490	S	10/1991	Andrew et al.		
D342,342	S	12/1993	Maglione		
5,353,819	A *	10/1994	Kahn et al.	.....	132/320
5,564,190	A	10/1996	Fleetwood		
5,573,342	A *	11/1996	Patalano	.....	401/175
5,673,485	A *	10/1997	Hill	.....	30/41.5
5,678,316	A	10/1997	Althaus et al.		
5,761,813	A	6/1998	Frick et al.		
D425,661	S	5/2000	Fenenga		
6,183,154	B1	2/2001	Coe		
6,190,073	B1	2/2001	Kabigting		
6,210,064	B1	4/2001	White et al.		
6,247,862	B1 *	6/2001	Garza	.....	401/6

6,302,607	B1	10/2001	Burrowes et al.		
6,325,564	B1	12/2001	Knowles		
6,629,799	B2	10/2003	Flores, Jr.		
6,641,307	B2	11/2003	Matsuda et al.		
6,754,958	B2	6/2004	Haws et al.		
6,789,321	B2 *	9/2004	Simms	.....	30/41
D504,540	S	4/2005	Bailey		
6,910,274	B1	6/2005	Pennella et al.		
7,043,841	B2	5/2006	Franzini et al.		
7,137,203	B2	11/2006	Bressler et al.		
D567,442	S *	4/2008	McMullan	.....	D28/46
7,703,361	B2	4/2010	Johnson et al.		
7,752,757	B2	7/2010	Salvatore, Jr.		
2006/0240380	A1	10/2006	Chenvainu et al.		
2009/0183371	A1	7/2009	Mileti et al.		
2009/0318883	A1	12/2009	Sugahara et al.		

\* cited by examiner

*Primary Examiner* — Zenia Bennett

(74) *Attorney, Agent, or Firm* — John M. Lipchitz; Kevin C. Johnson; Steven C. Miller

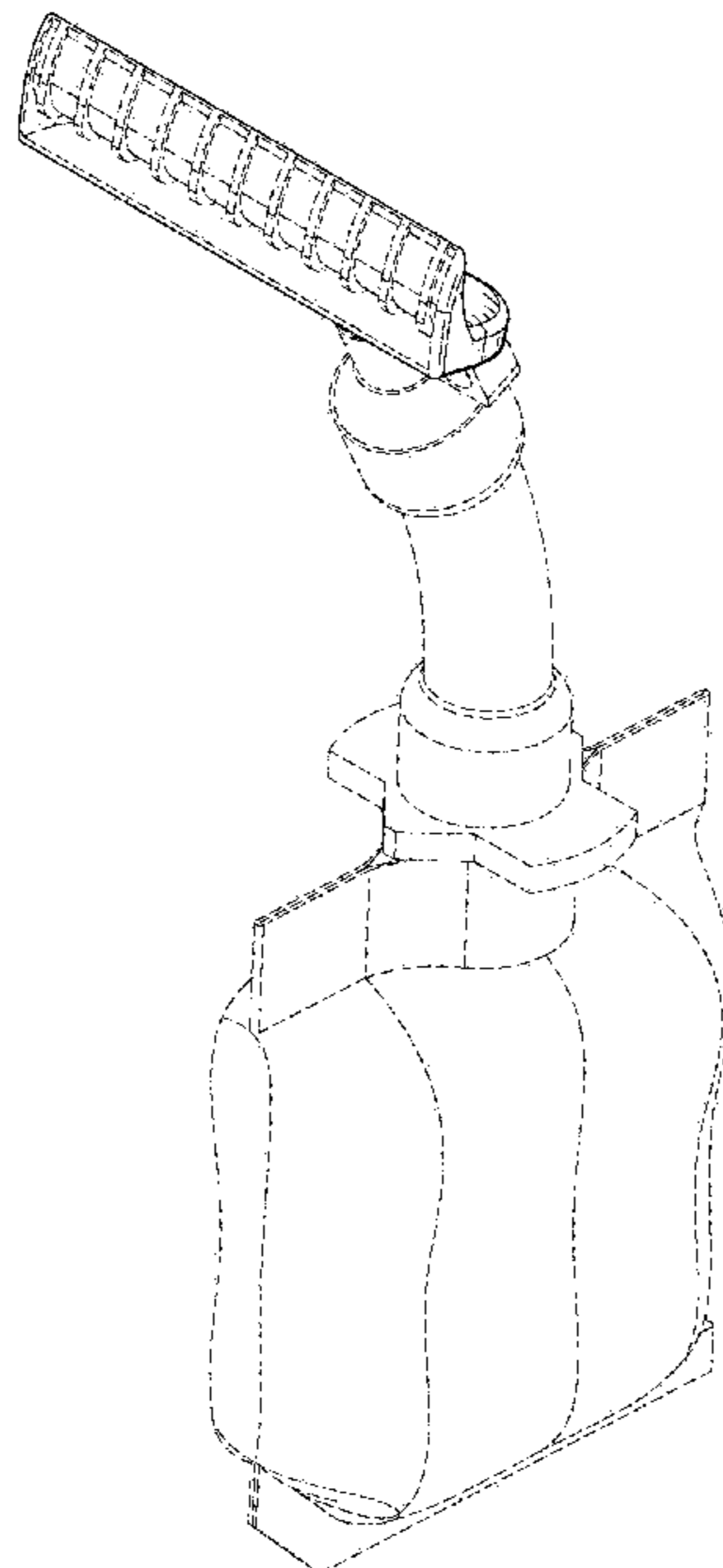
(57) **CLAIM**

The ornamental design for a liquid dispensing hair removal applicator, as shown and described.

**DESCRIPTION**

FIG. 1 is a perspective view of a liquid dispensing hair removal applicator of the present invention; FIG. 2 is a front view thereof; FIG. 3 is a rear view thereof; FIG. 4 is a right view thereof; FIG. 5 is a left view thereof; FIG. 6 is a top view thereof; and, FIG. 7 is a bottom view thereof. The broken lines are shown for illustrative purposes only and form no part of the claimed design.

**1 Claim, 6 Drawing Sheets**



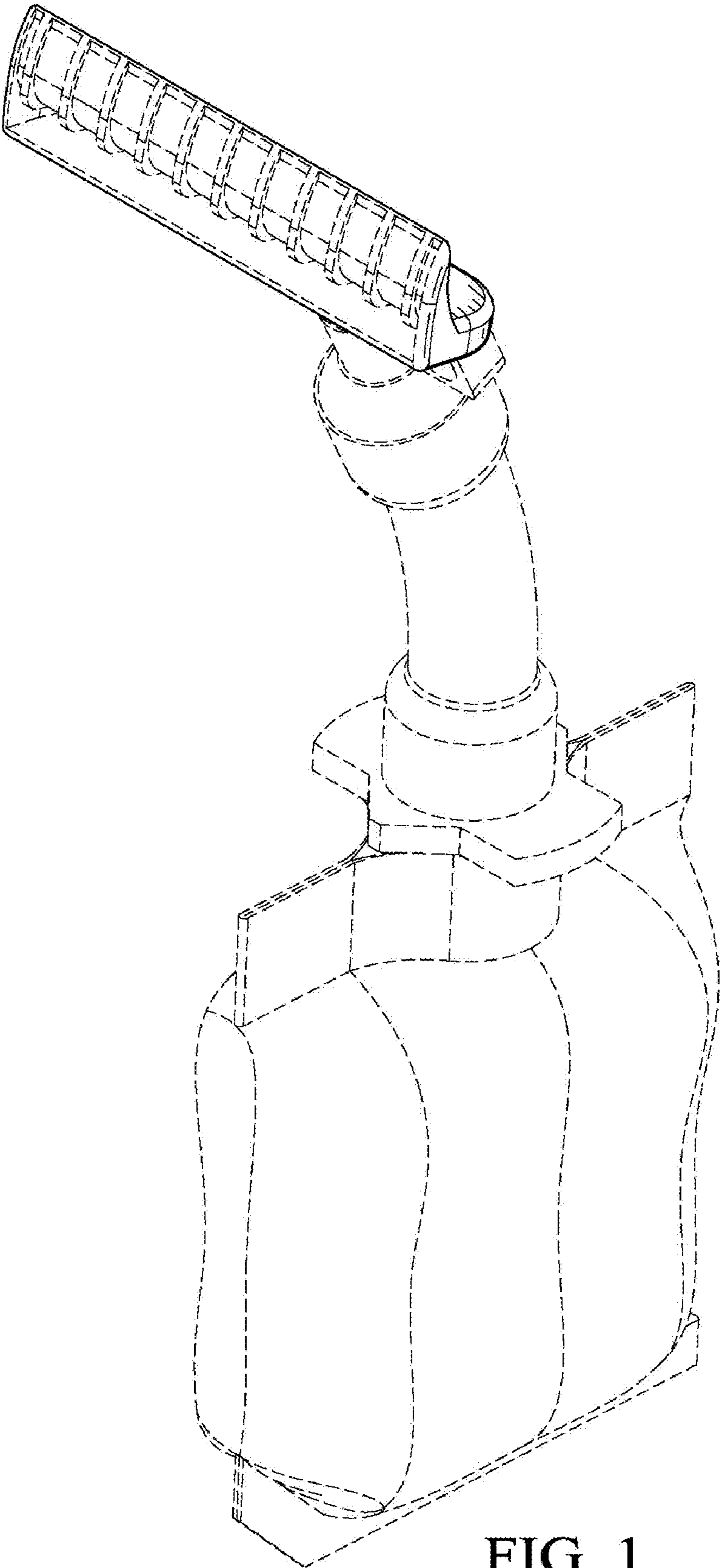


FIG. 1

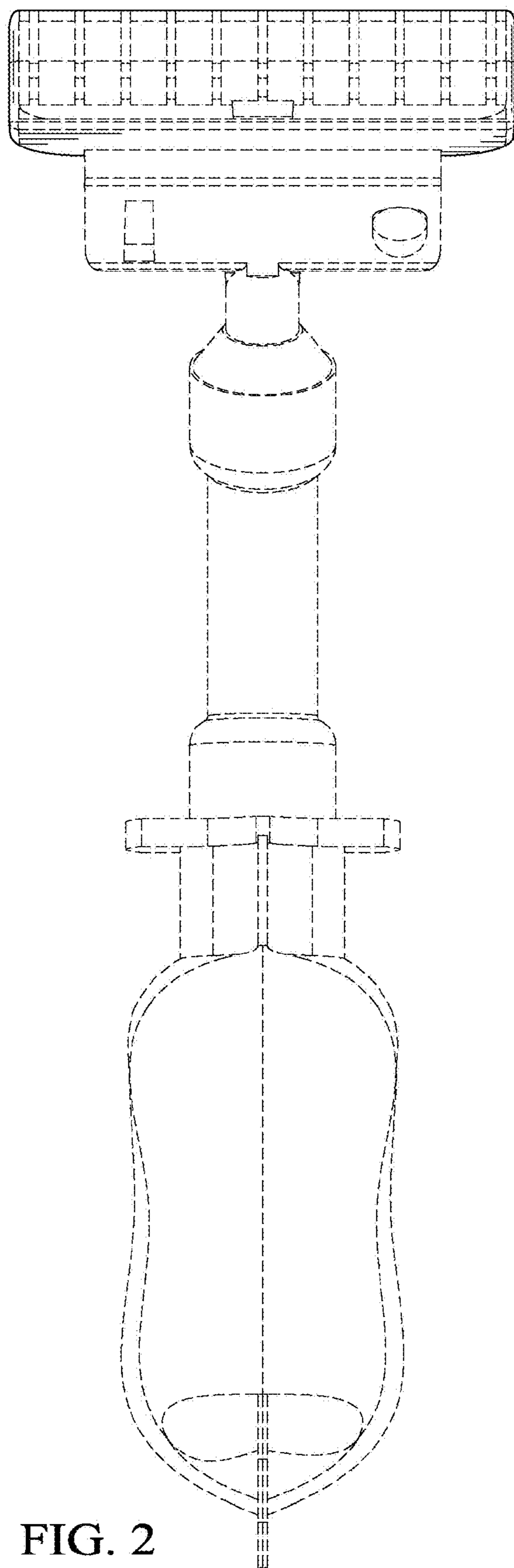
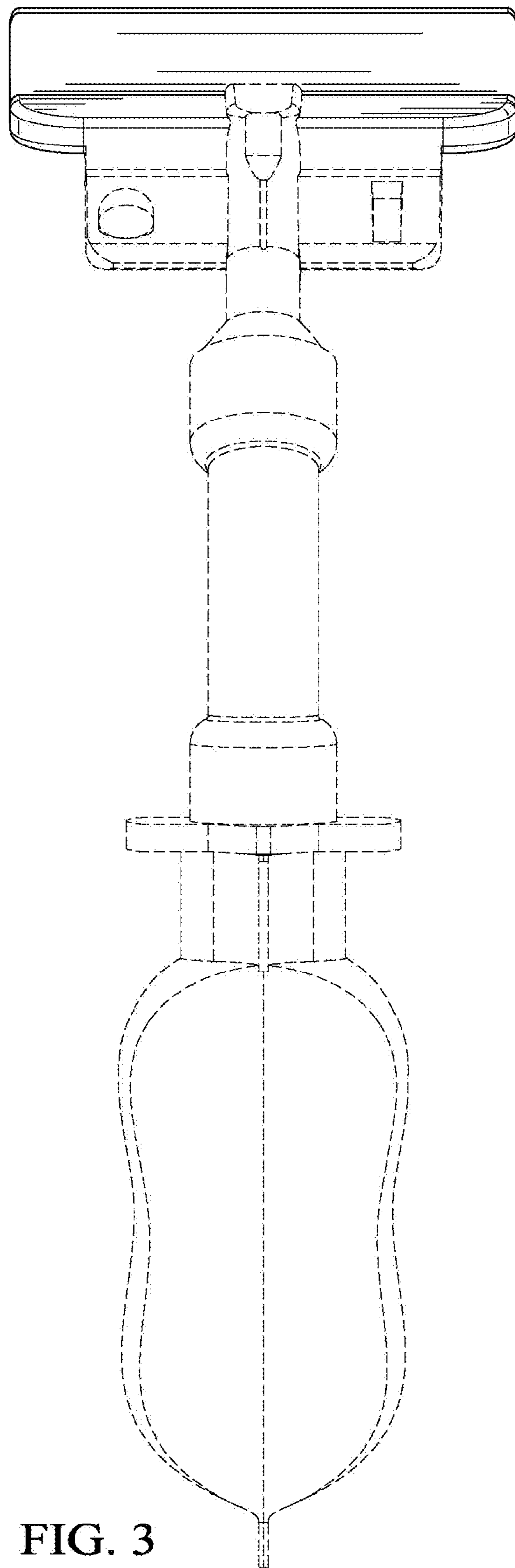


FIG. 2



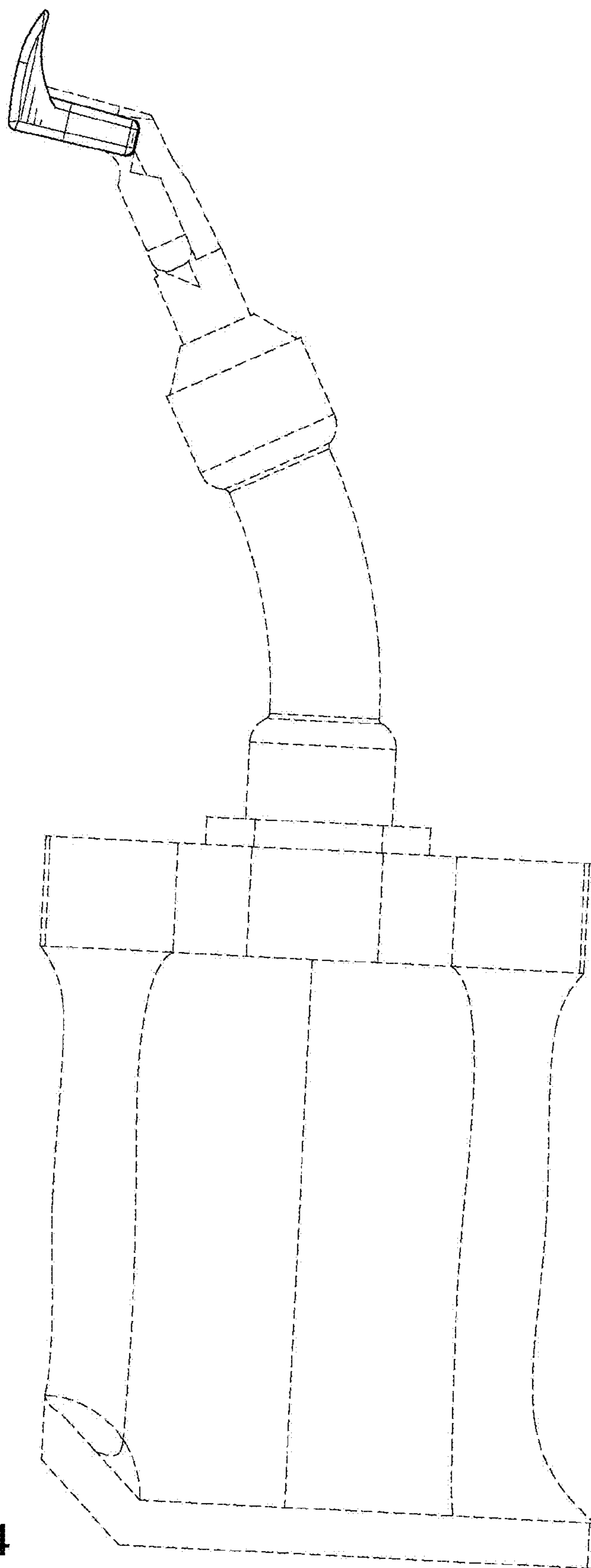


FIG. 4

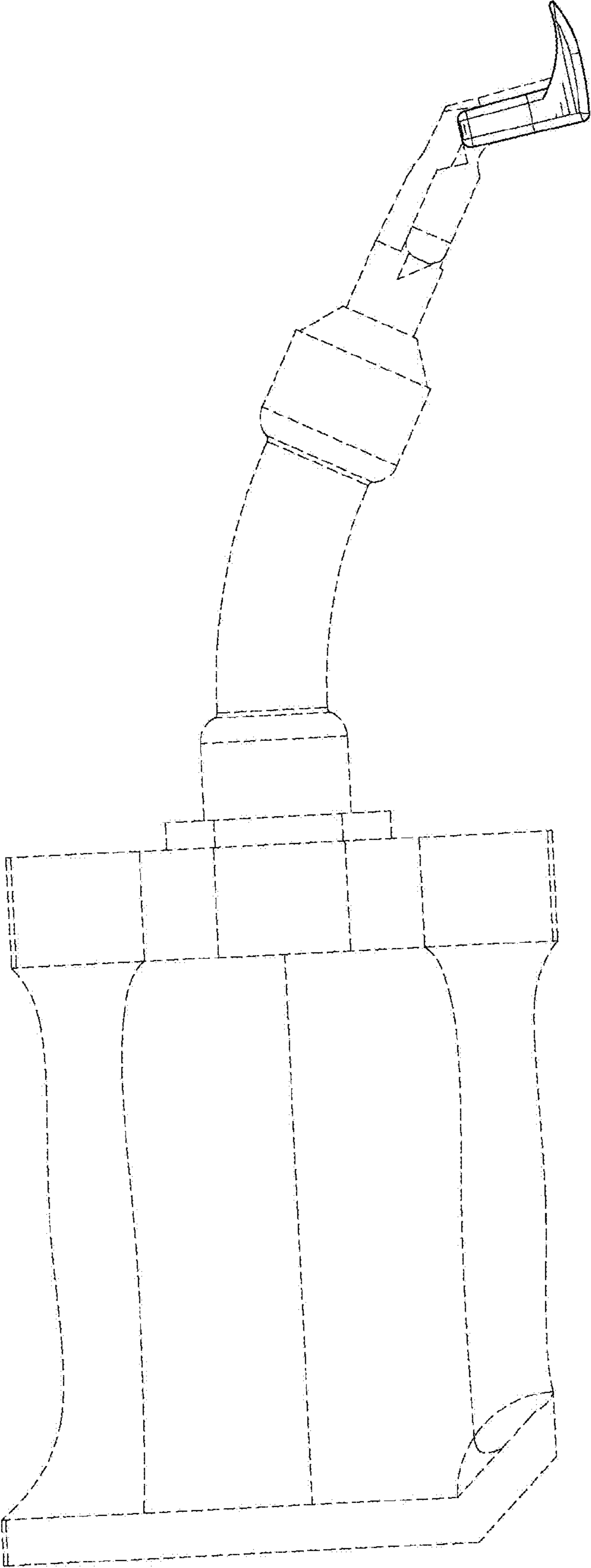


FIG. 5

FIG. 6

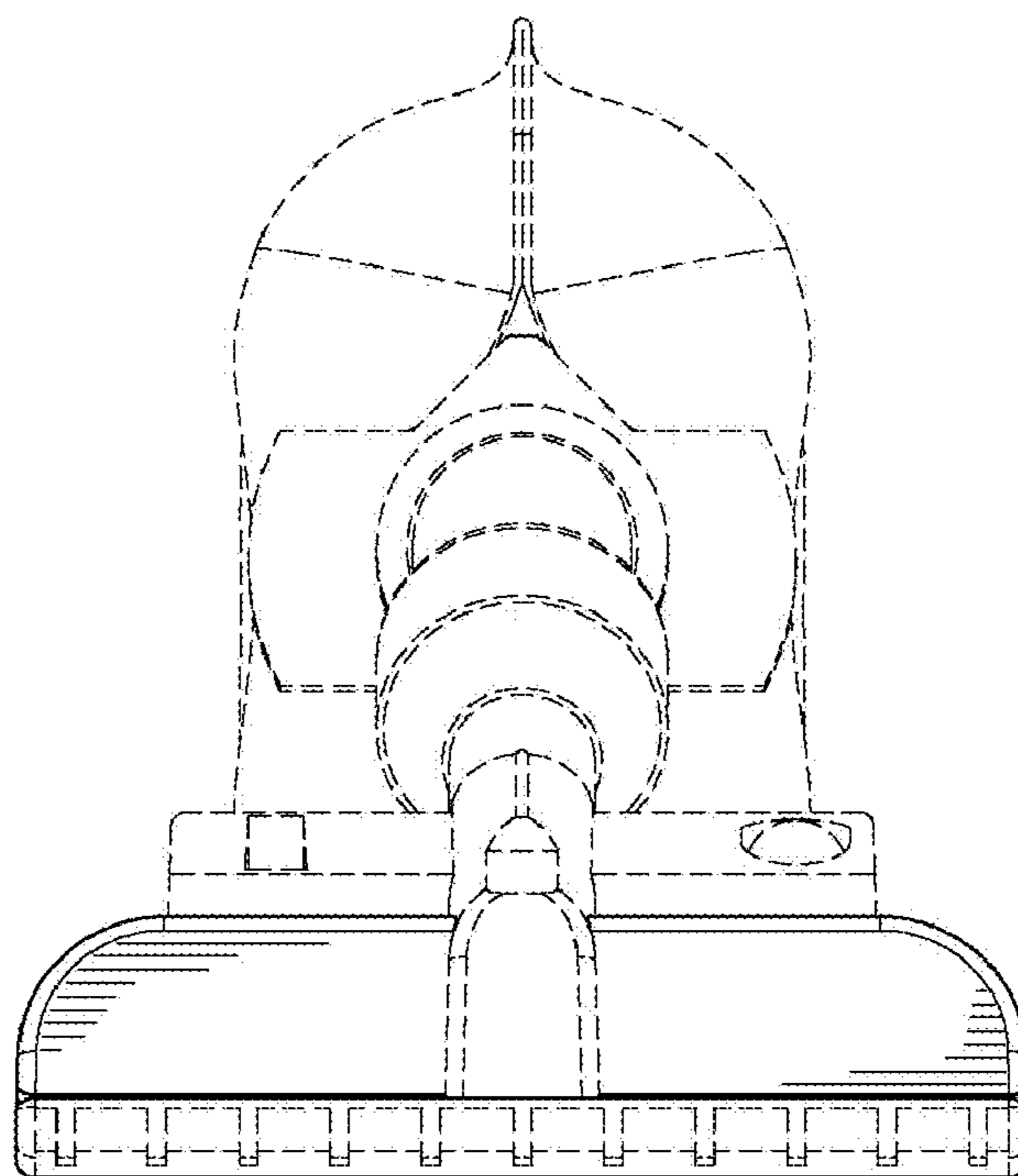


FIG. 7

