



US00D644784S

(12) **United States Design Patent**  
**Monteix et al.**

(10) **Patent No.:** **US D644,784 S**

(45) **Date of Patent:** **\*\* Sep. 6, 2011**

(54) **END CAP FOR LAMP**

(75) Inventors: **Serge Monteix**, Nancy (FR); **Patrick Joanas**, Saizerais (FR); **Thierry Thibaud**, Thiaucourt Regnieville (FR)

(73) Assignee: **Speziallampenfabrik Dr. Fischer GmbH**, Diez (DE)

(\*\*) Term: **14 Years**

(21) Appl. No.: **29/386,546**

(22) Filed: **Mar. 2, 2011**

(51) **LOC (9) Cl.** ..... **26-99**

(52) **U.S. Cl.** ..... **D26/138**

(58) **Field of Classification Search** ..... D26/118,  
D26/120, 138, 76, 78, 86, 2, 72, 67, 89, 60,  
D26/74, 81, 85, 113, 119, 122, 128, 129,  
D26/140, 142, 145, 152, 132, 93, 94, 3, 154,  
D26/87, 42, 37; D34/29; 315/194, 51; 362/612,  
362/307, 294, 545, 555, 146, 145, 396, 362,  
362/260; 165/185, 121, 80.3; D12/162;  
D8/354, 355, 356, 363, 373, 349, 376; 16/340;  
D13/179, 180, 134; D25/163, 157, 158  
See application file for complete search history.

(56) **References Cited**

**U.S. PATENT DOCUMENTS**

D151,314 S *	10/1948	Adams et al.	.....	D13/134
3,996,493 A *	12/1976	Davenport et al.	.....	315/58
4,130,860 A *	12/1978	Careglio et al.	.....	362/217.08
4,376,966 A *	3/1983	Tieszzen	.....	362/249.01
D280,025 S *	8/1985	Waters	.....	D26/24
D284,109 S *	6/1986	Seal, Jr.	.....	D26/72
D295,329 S *	4/1988	Roos et al.	.....	D26/75
D371,858 S *	7/1996	Waldmann	.....	D26/76
D381,734 S *	7/1997	Murphy	.....	D22/134

D394,518 S *	5/1998	Burrow	.....	D26/85
D399,862 S *	10/1998	Baliozian	.....	D16/219
D422,738 S *	4/2000	Spitler	.....	D26/86
D440,941 S *	4/2001	Parekh	.....	D13/134
D457,664 S *	5/2002	Moriyama et al.	.....	D26/3
D465,038 S *	10/2002	Bragg et al.	.....	D26/27
D509,313 S *	9/2005	Friedman et al.	.....	D26/71
D521,676 S *	5/2006	Richner	.....	D26/78
D547,897 S *	7/2007	Willmorth et al.	.....	D26/76
D554,794 S *	11/2007	Tseng	.....	D26/78
D565,774 S *	4/2008	Martineau	.....	D26/72
D597,242 S *	7/2009	Purcell	.....	D26/76
D603,078 S *	10/2009	Noh	.....	D26/76
D603,089 S *	10/2009	Uchida et al.	.....	D26/138
D613,900 S *	4/2010	Hargreaves et al.	.....	D26/145
D622,441 S *	8/2010	Warner et al.	.....	D26/138
D627,905 S *	11/2010	Swafford et al.	.....	D26/24
2003/0011308 A1 *	1/2003	Crawford et al.	.....	313/623
2006/0098444 A1 *	5/2006	Petruzzi	.....	362/404
2009/0116250 A1 *	5/2009	Hargreaves et al.	.....	362/373

\* cited by examiner

*Primary Examiner* — Cathron Brooks

*Assistant Examiner* — Kevin Rudzinski

(74) *Attorney, Agent, or Firm* — Volentine & Whitt, PLLC

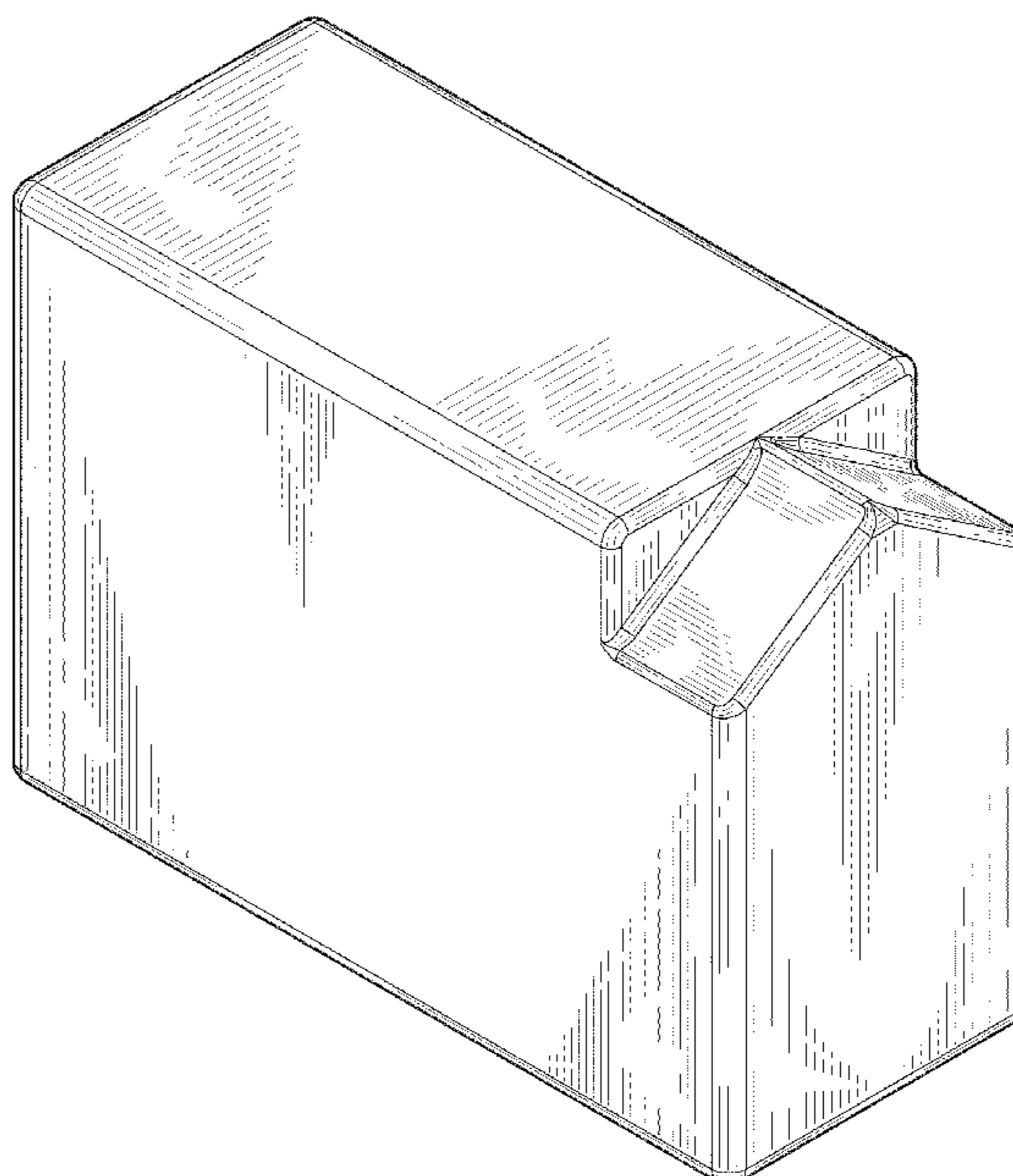
(57) **CLAIM**

The ornamental design for an end cap for lamp, as shown.

**DESCRIPTION**

FIG. 1 is a front perspective view showing our design;  
FIG. 2 is a front elevational view thereof;  
FIG. 3 is a rear elevational view thereof;  
FIG. 4 is a right side elevational view thereof;  
FIG. 5 is a left side elevational view thereof;  
FIG. 6 is a top plan view thereof;  
FIG. 7 is a bottom plan view thereof;  
FIG. 8 is a bottom perspective view thereof; and,  
FIG. 9 is a rear perspective view thereof.

**1 Claim, 8 Drawing Sheets**



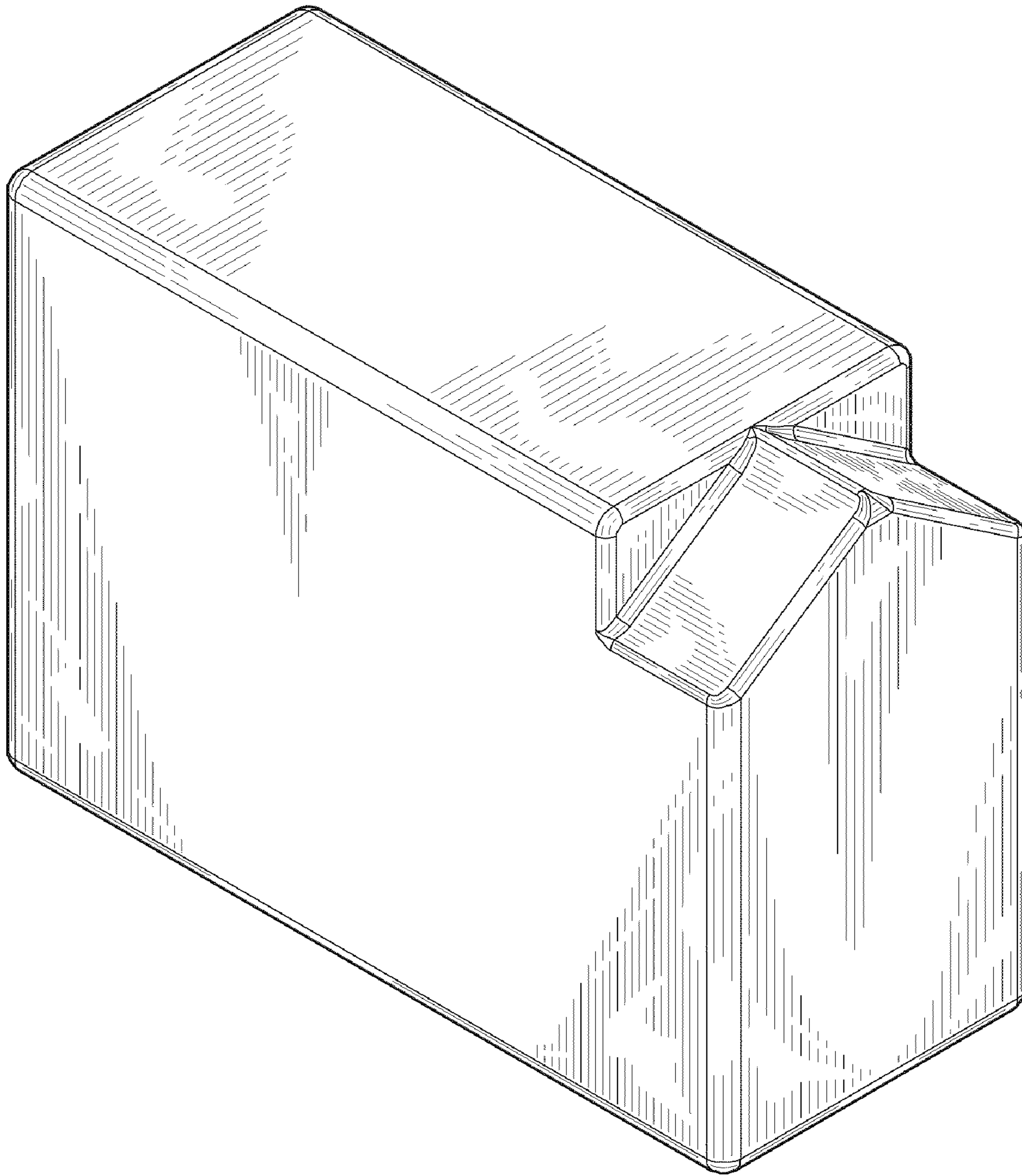


FIG. 1

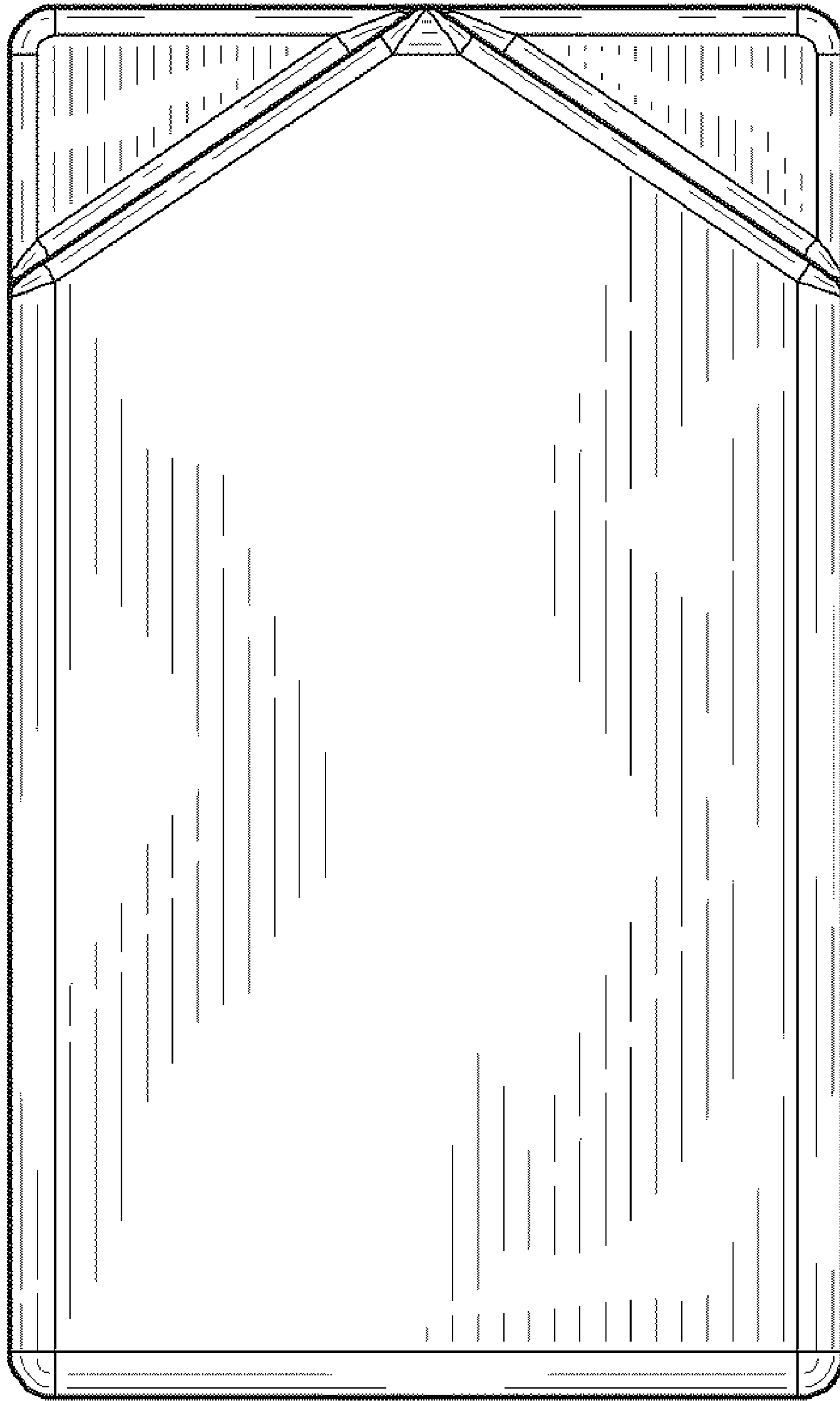
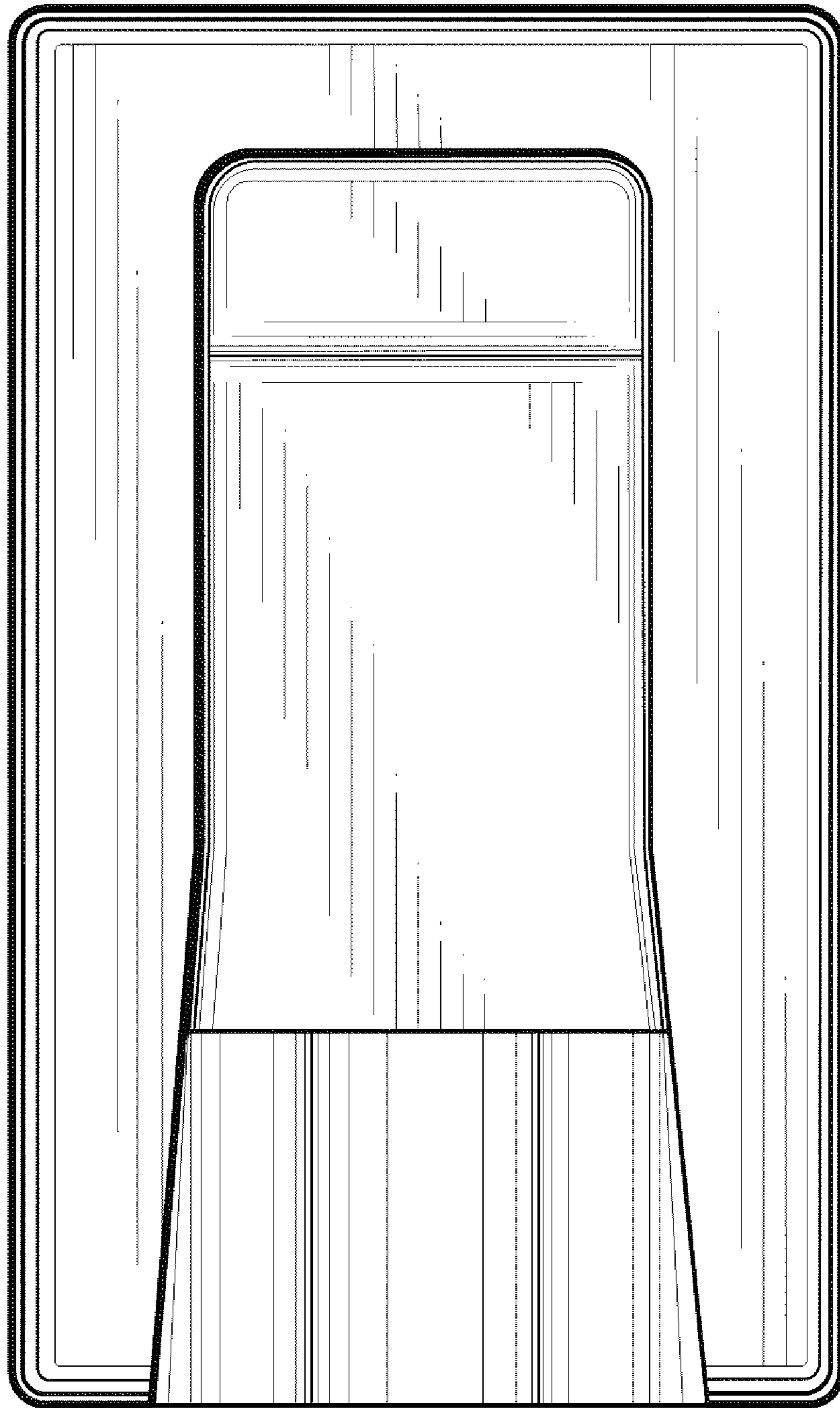


FIG. 2



*Fig. 3*

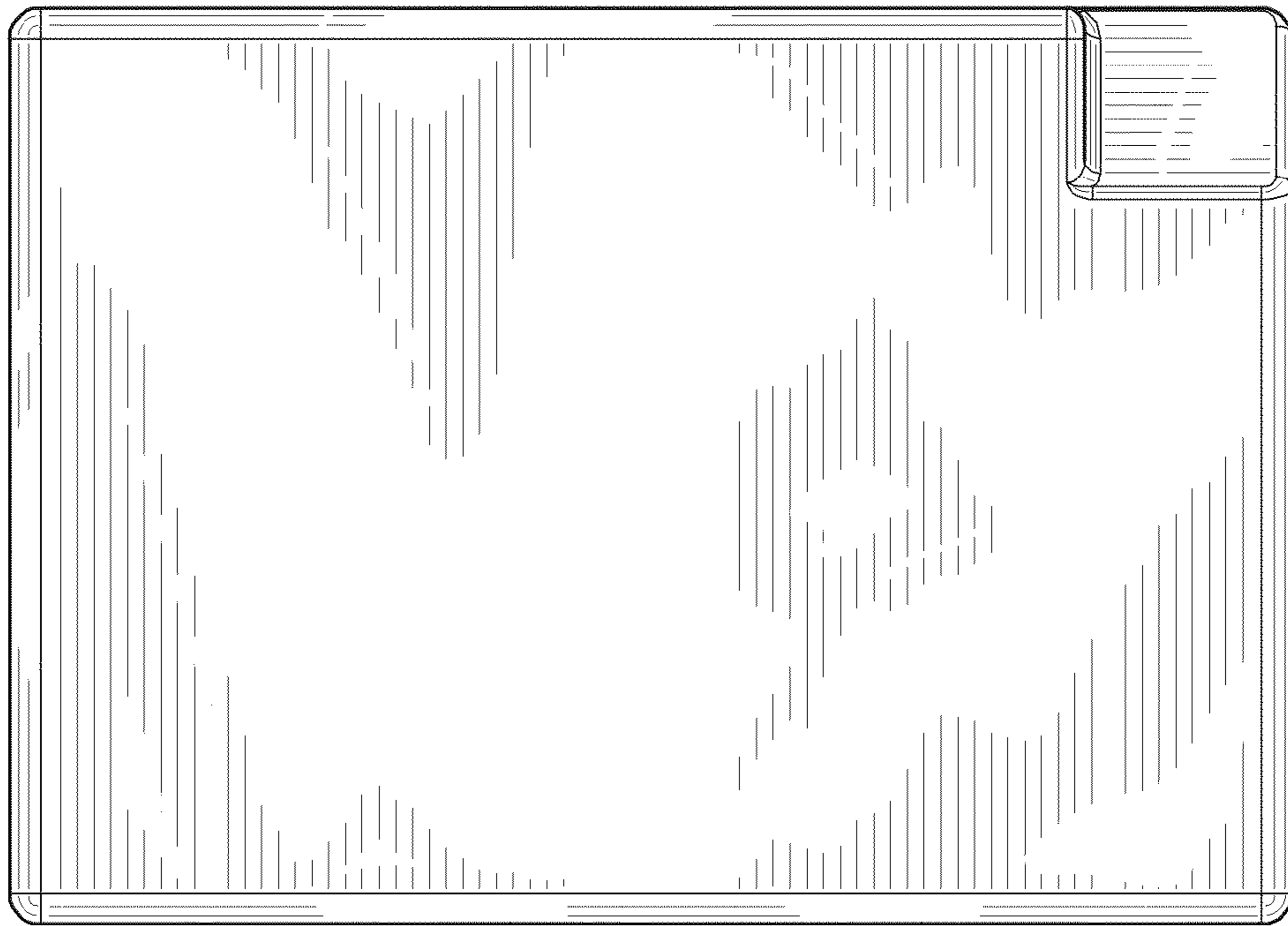


FIG. 4

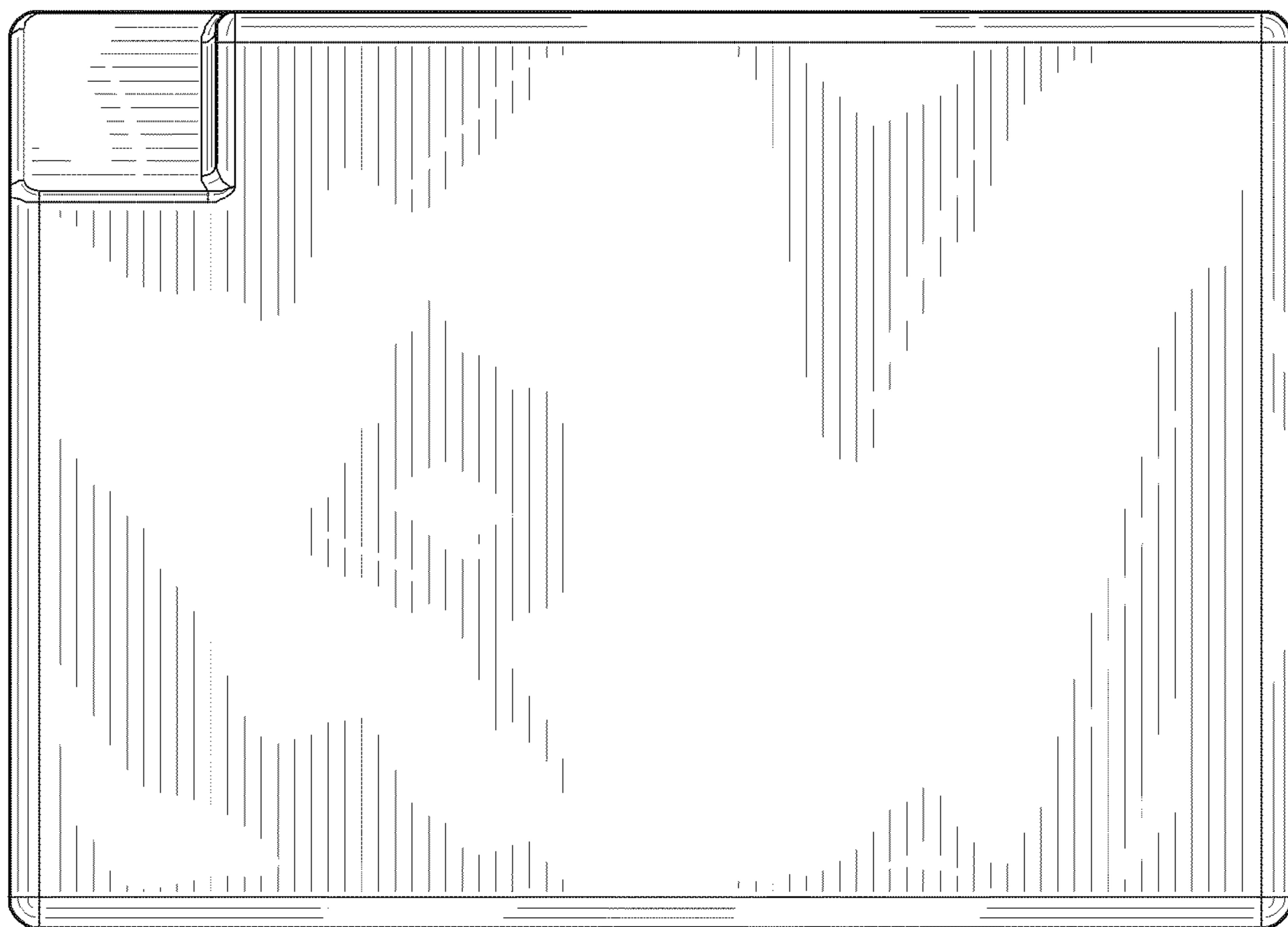


FIG. 5

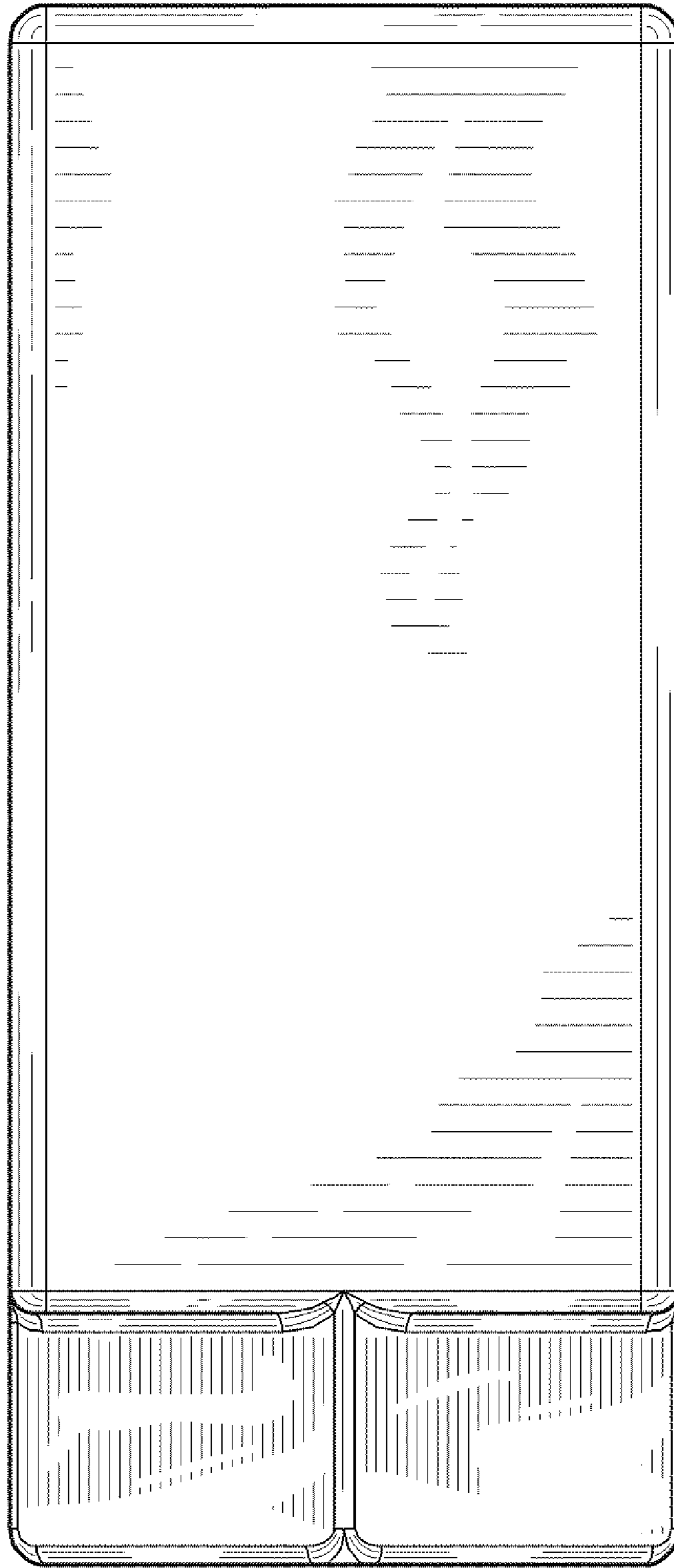
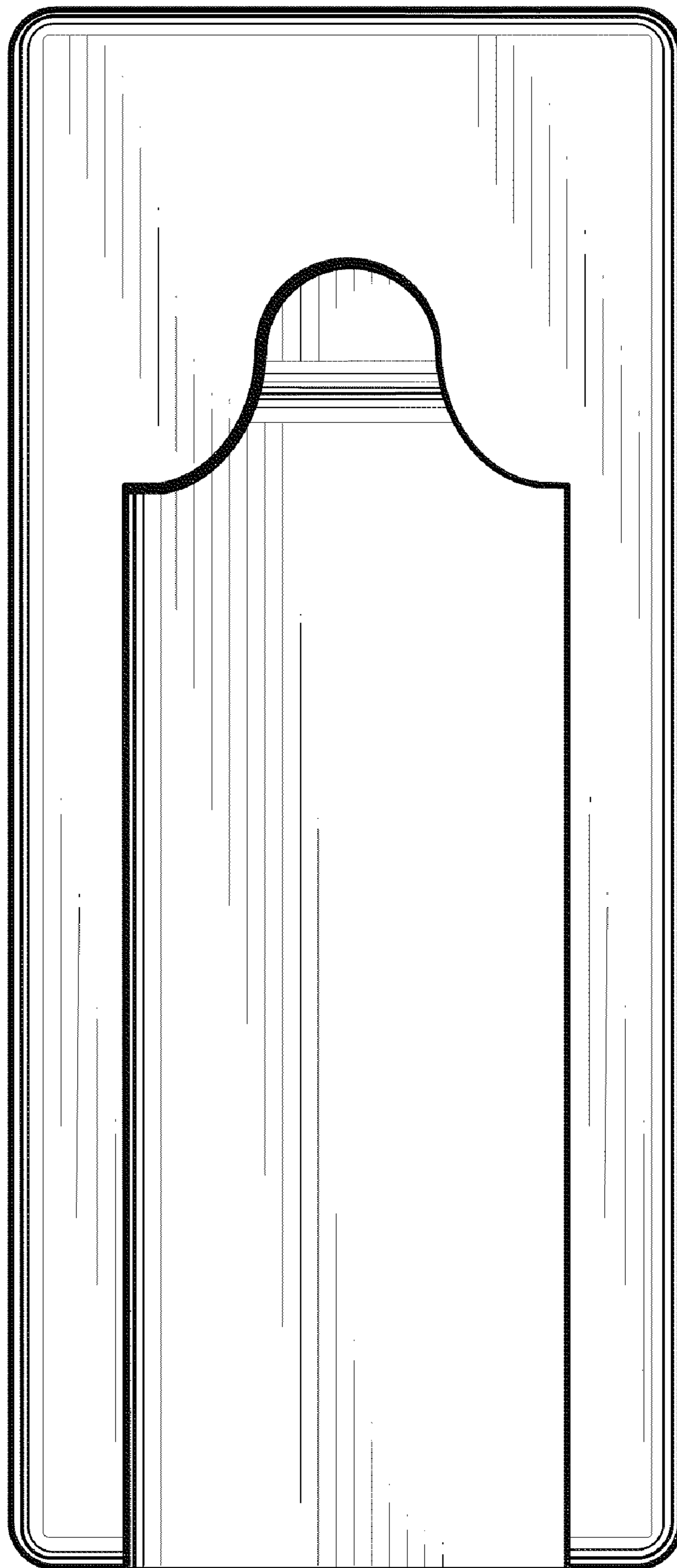
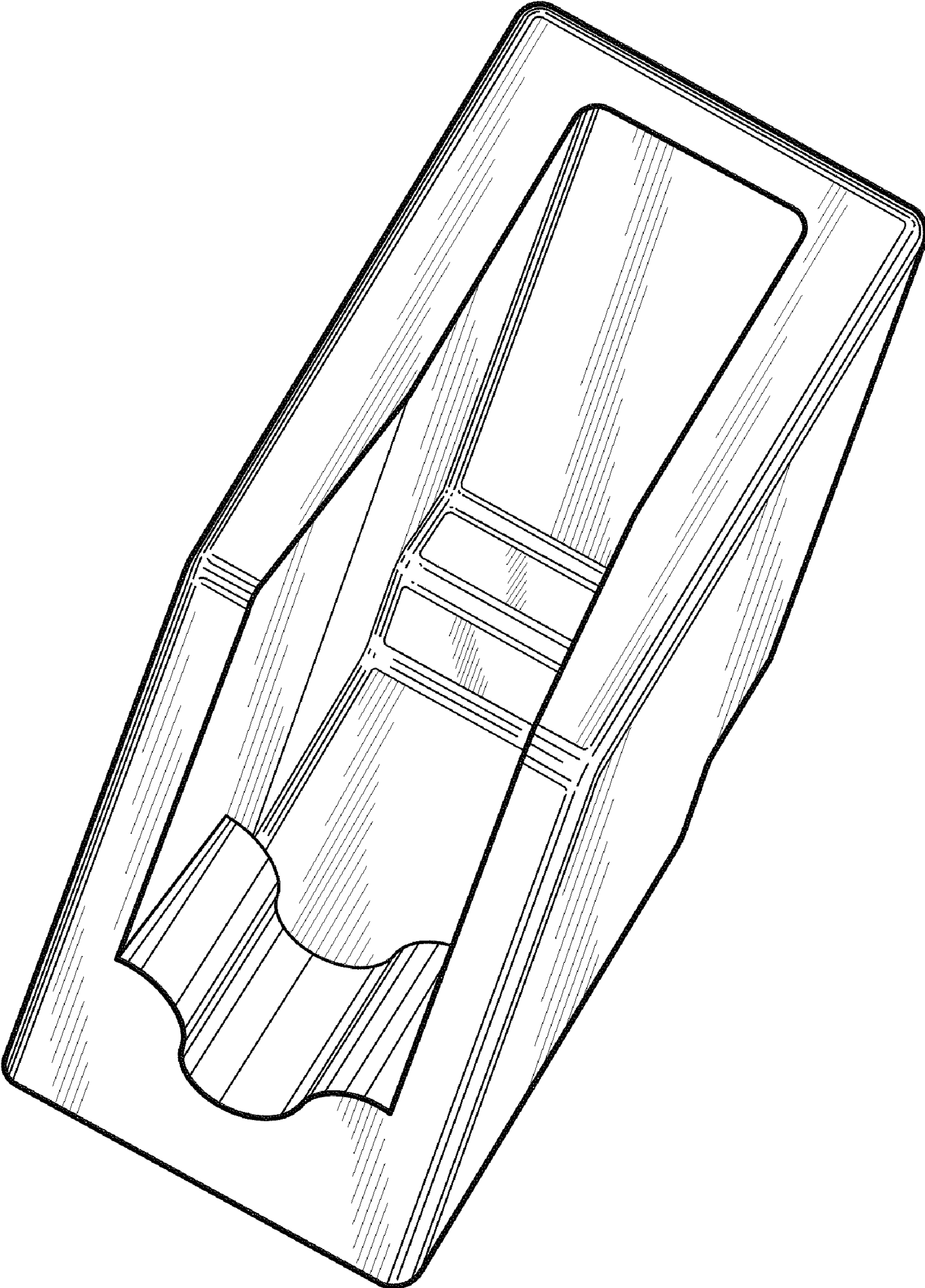


FIG. 6

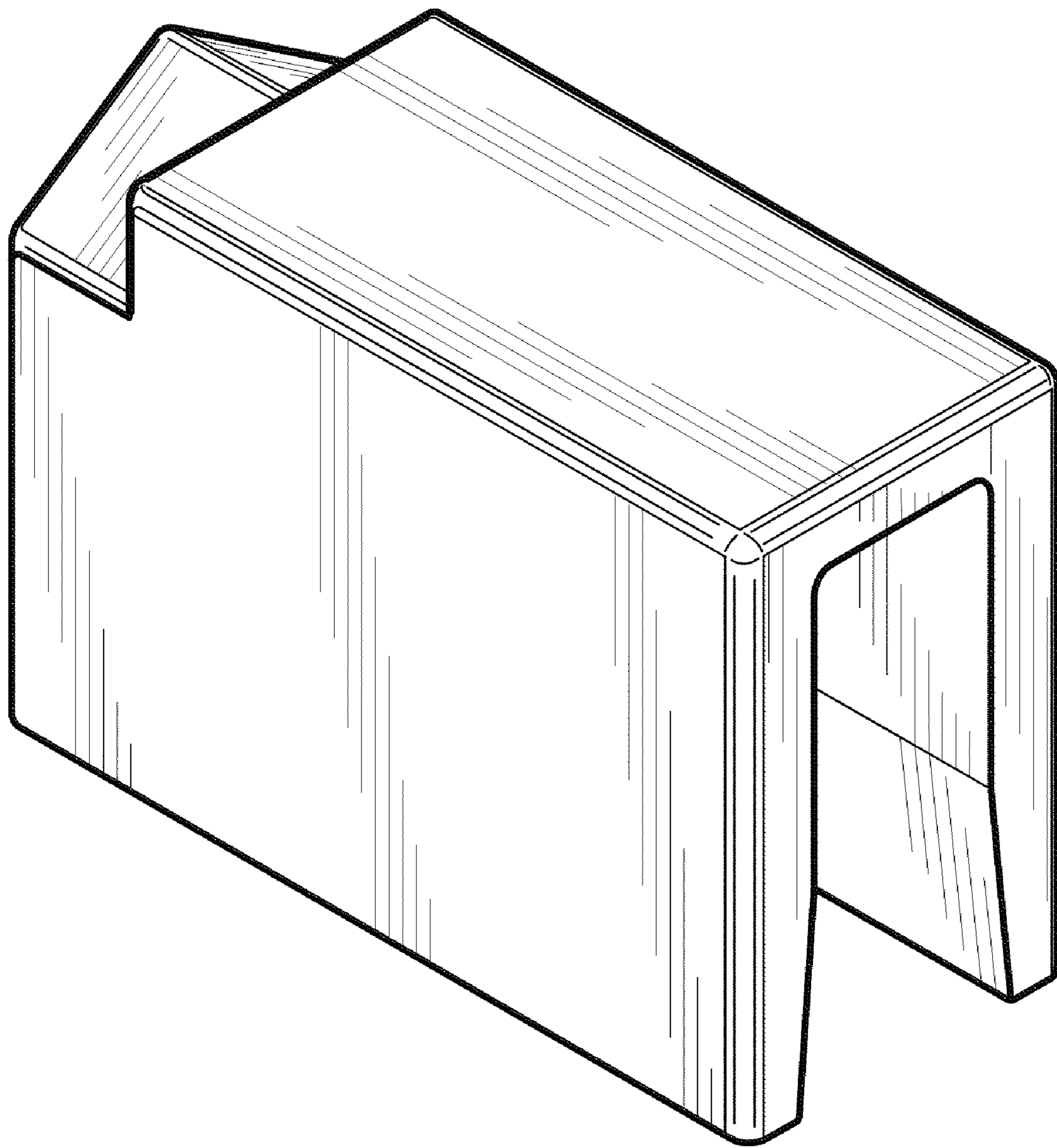


*Fig. 7*



*Fig. 8*





*Fig. 9*