



US00D644783S

(12) **United States Design Patent**
Chen

(10) **Patent No.:** **US D644,783 S**

(45) **Date of Patent:** **** Sep. 6, 2011**

- (54) **SOLAR CANDLE LIGHT INSERT**
- (75) Inventor: **Chi Gon Chen**, Guang Zhou (CN)
- (73) Assignee: **International Development LLC**,
Roanoke, TX (US)
- (**) Term: **14 Years**
- (21) Appl. No.: **29/379,359**
- (22) Filed: **Nov. 18, 2010**
- (51) **LOC (9) Cl.** **26-99**
- (52) **U.S. Cl.** **D26/125**
- (58) **Field of Classification Search** D8/377,
D8/376; D25/119, 125, 124, 123, 60; D20/43,
D20/44; D26/60, 37, 72, 105, 93, 96, 110,
D26/67, 68, 138, 118, 113, 120, 121, 122,
D26/125, 140, 76, 141, 142, 144, 145, 155;
D6/445, 447, 437, 399, 553, 491, 300, 580;
174/66, 67; 422/128; 439/557, 271, 280,
439/699.2; 362/218, 225, 240, 392, 161,
362/394, 267, 371, 396, 140; 315/307; 310/317;
431/292, 253

See application file for complete search history.

(56) **References Cited**

U.S. PATENT DOCUMENTS

D384,181 S *	9/1997	Borden	D26/110
6,017,139 A *	1/2000	Lederer	362/394
D474,854 S *	5/2003	Lam	D26/96
D488,582 S *	4/2004	Connelly et al.	D26/96
D537,190 S *	2/2007	Lyall et al.	D26/96

7,178,939 B2 *	2/2007	Tsai	362/190
7,387,411 B1 *	6/2008	Tsai	362/392
7,503,668 B2 *	3/2009	Porchia et al.	362/161
7,637,737 B2 *	12/2009	Furner et al.	431/253
D612,093 S *	3/2010	Espiau et al.	D26/105
7,699,603 B2 *	4/2010	Furner et al.	431/292
7,723,899 B2 *	5/2010	Blandino et al.	310/317
7,824,627 B2 *	11/2010	Michaels et al.	422/128
D633,234 S *	2/2011	Feigenbaum	D26/24
2006/0120080 A1 *	6/2006	Sipinski et al.	362/253
2006/0176703 A1 *	8/2006	Cayton et al.	362/350
2007/0177393 A1 *	8/2007	Hirata	362/392
2008/0129226 A1 *	6/2008	DeWitt et al.	315/307
2008/0158863 A1 *	7/2008	Tsai	362/183

* cited by examiner

Primary Examiner — Cathron C Brooks

Assistant Examiner — Kevin Rudzinski

(74) *Attorney, Agent, or Firm* — David W. Carstens;
Carstens & Cahoon, LLP

(57) **CLAIM**

The ornamental design for a solar candle light insert, as shown and described.

DESCRIPTION

FIG. 1 is an isometric view of the solar candle light insert of the present invention;

FIG. 2 is a bottom perspective view thereof;

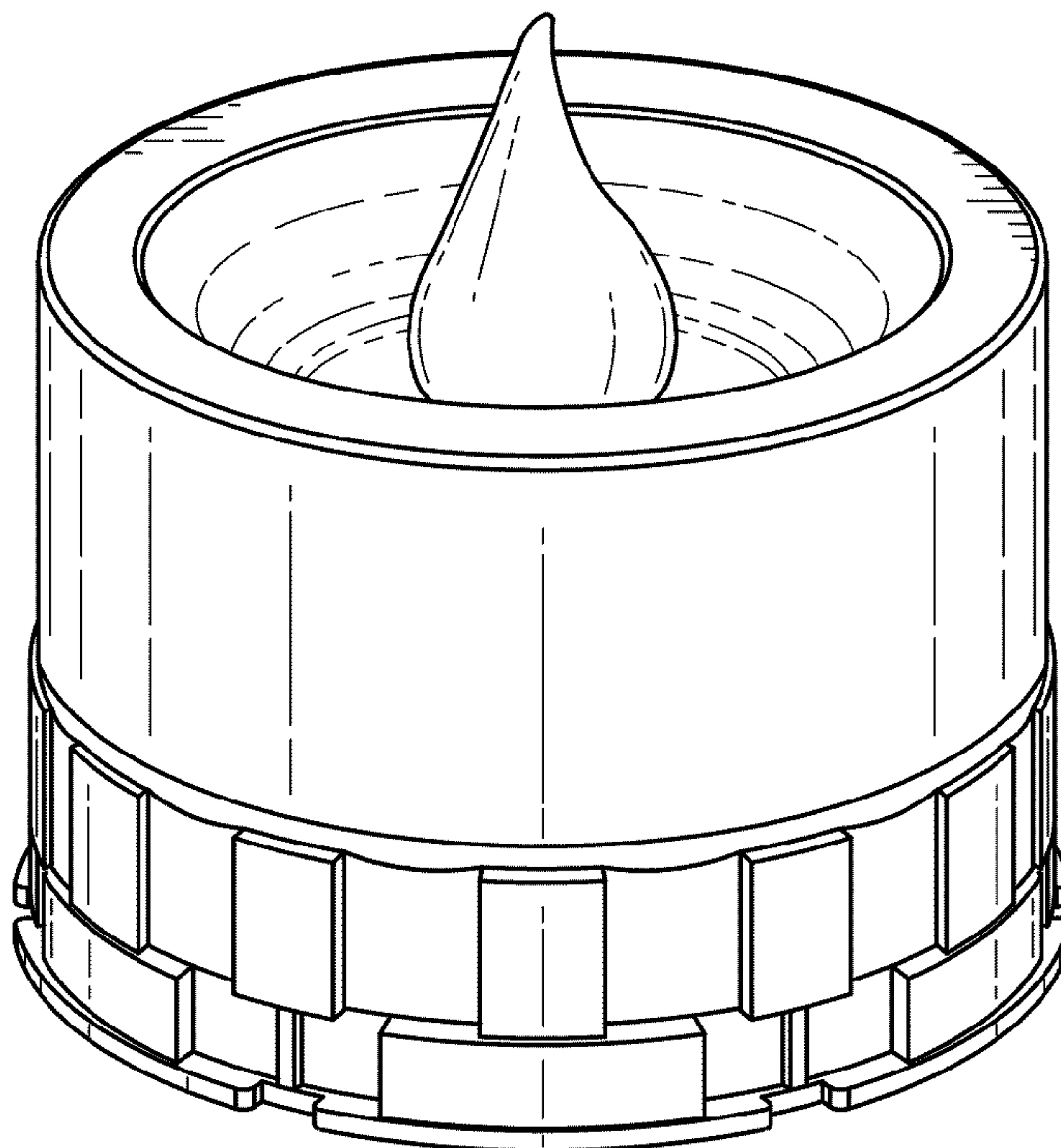
FIG. 3 is a front elevation view thereof;

FIG. 4 is an rear elevation view thereof;

FIG. 5 is a bottom plan view thereof; and,

FIG. 6 is a top plan view thereof.

1 Claim, 3 Drawing Sheets



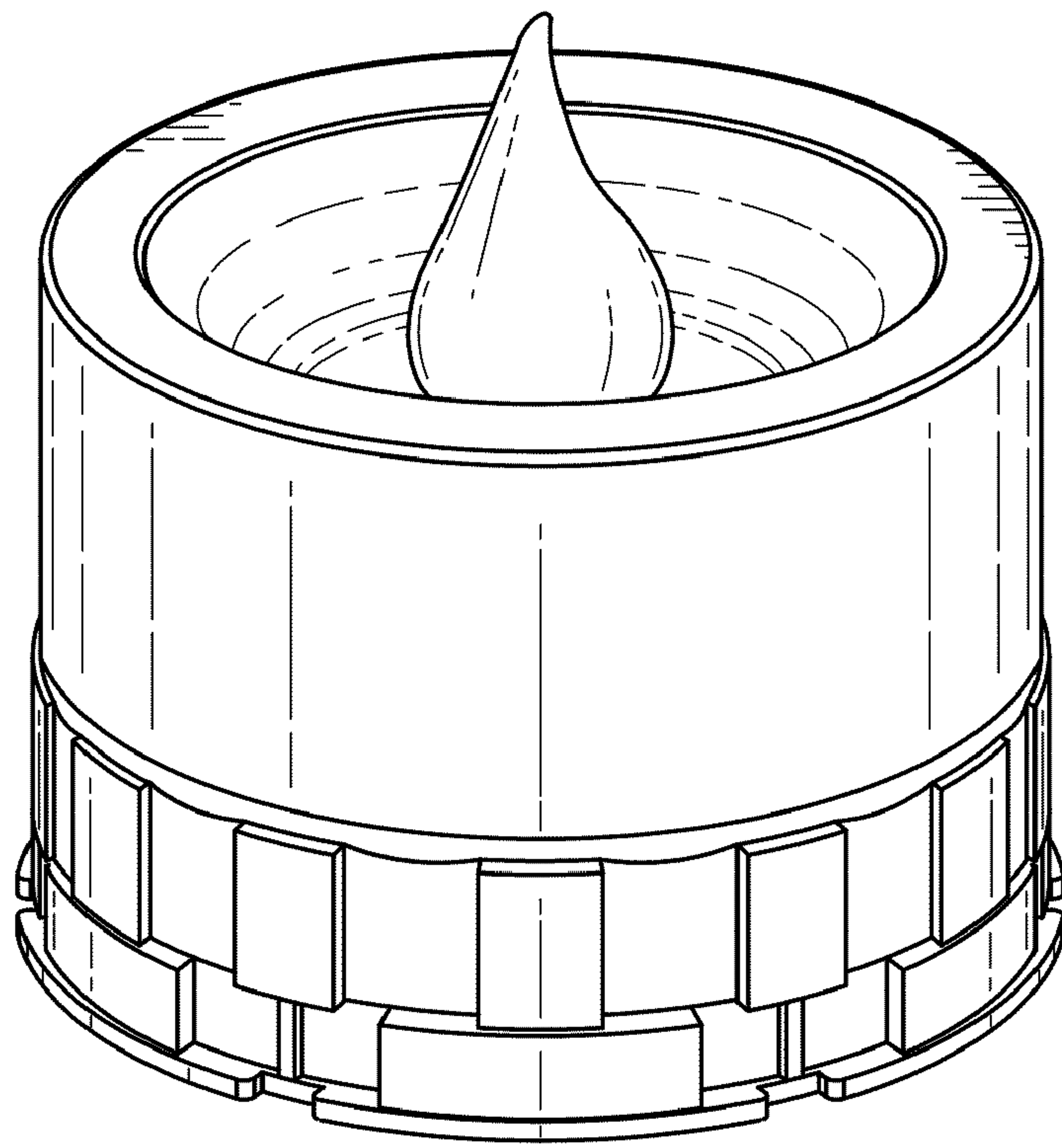


FIG. 1

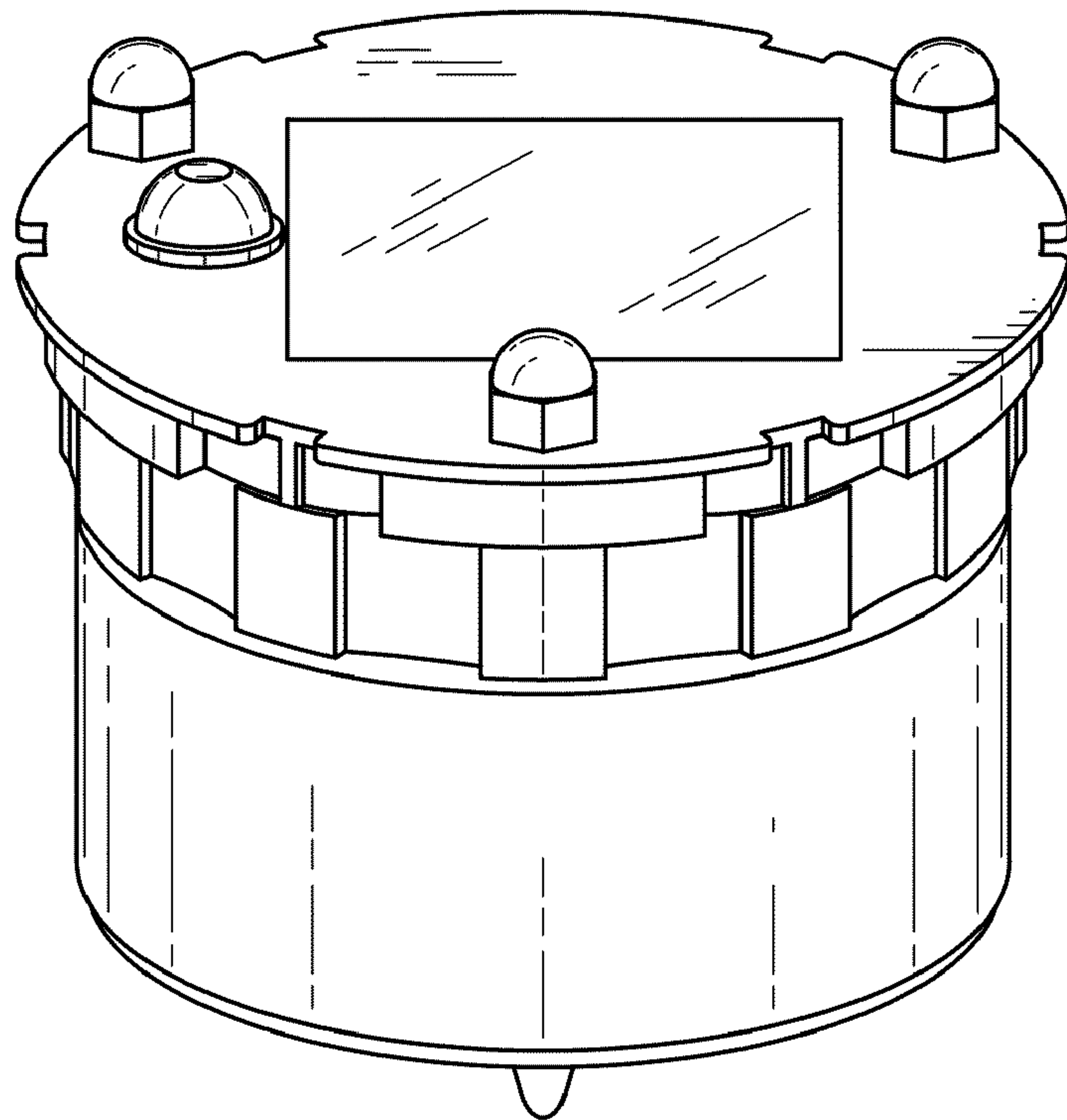


FIG. 2

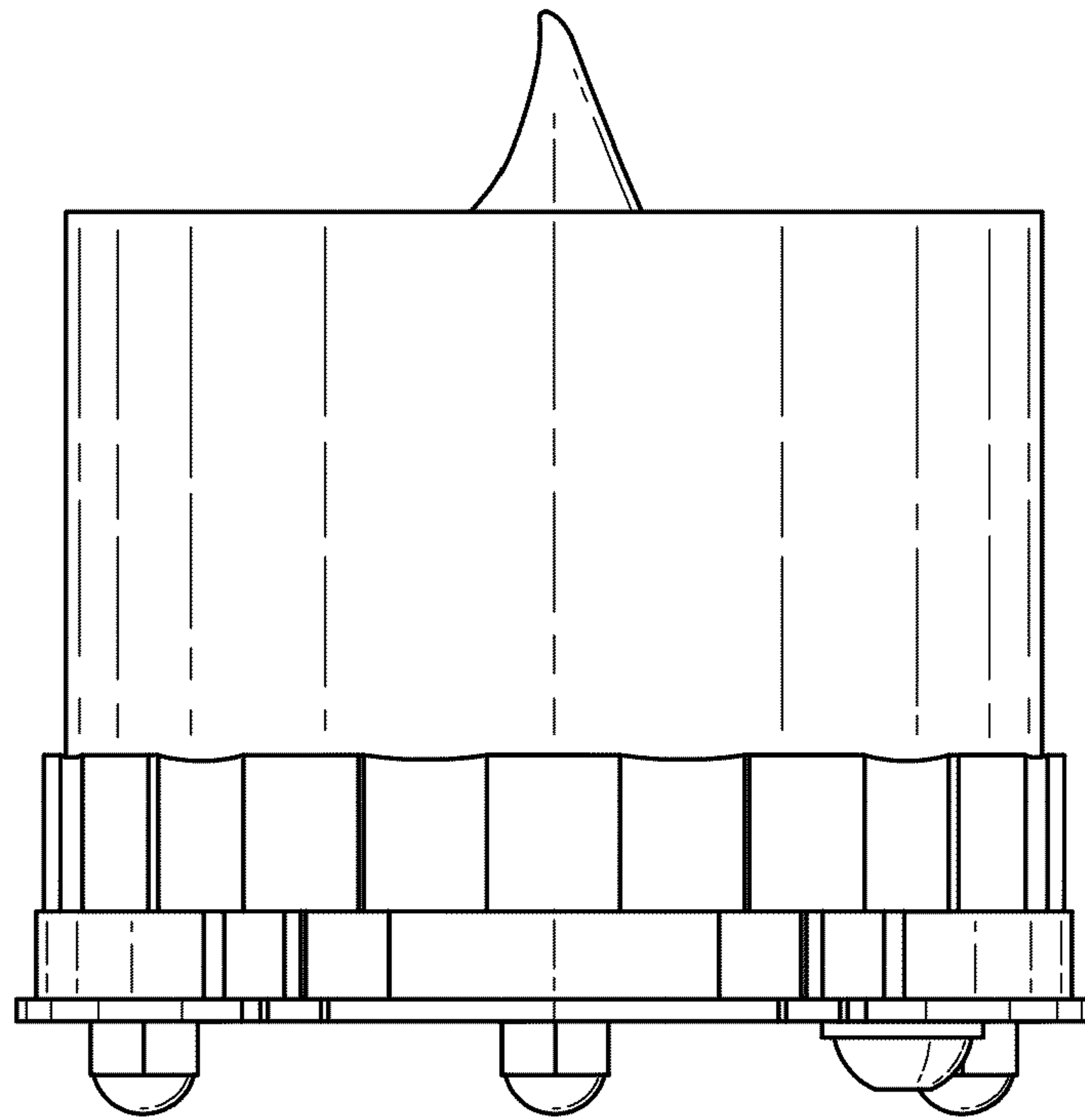


FIG. 3

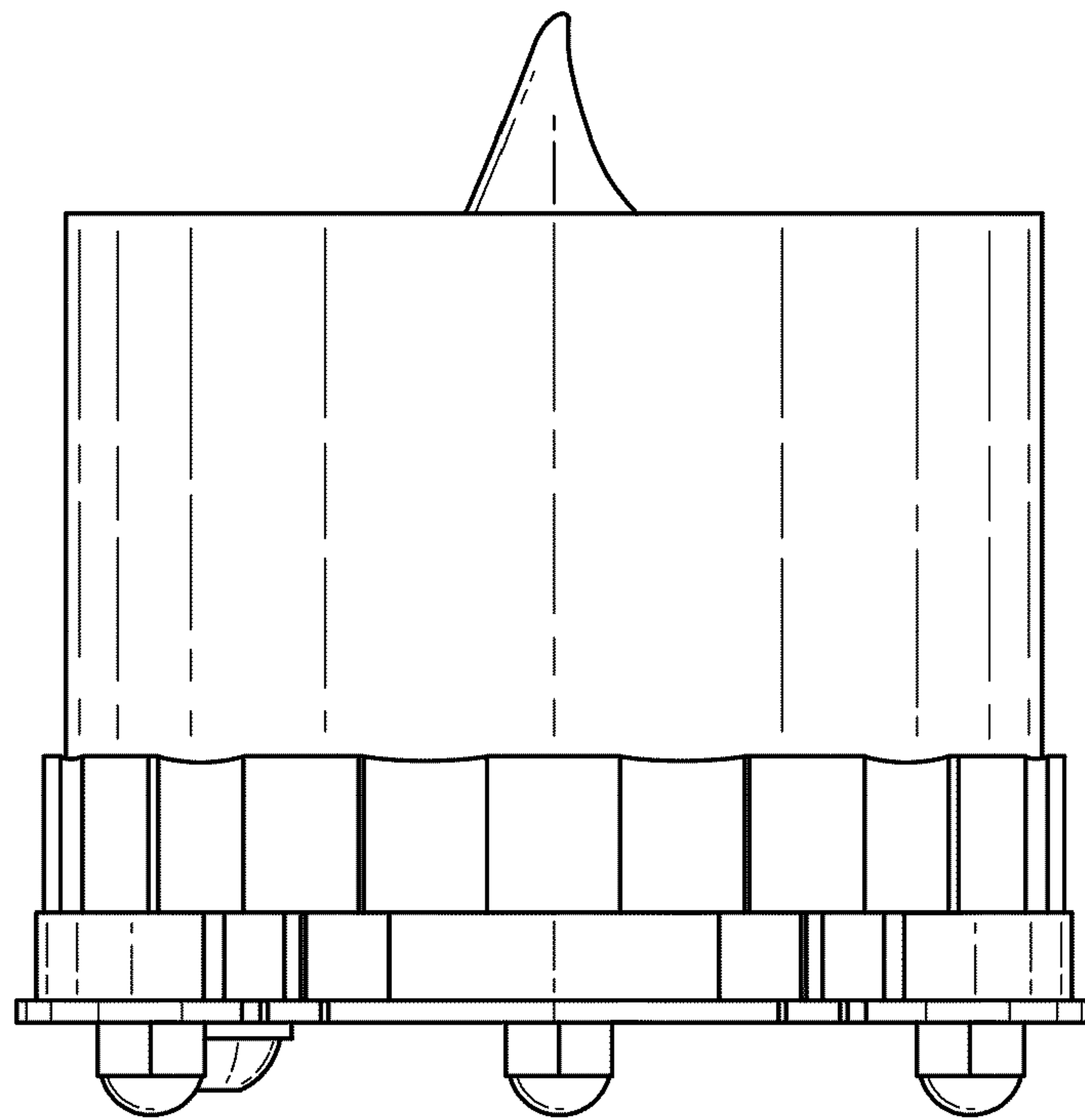


FIG. 4

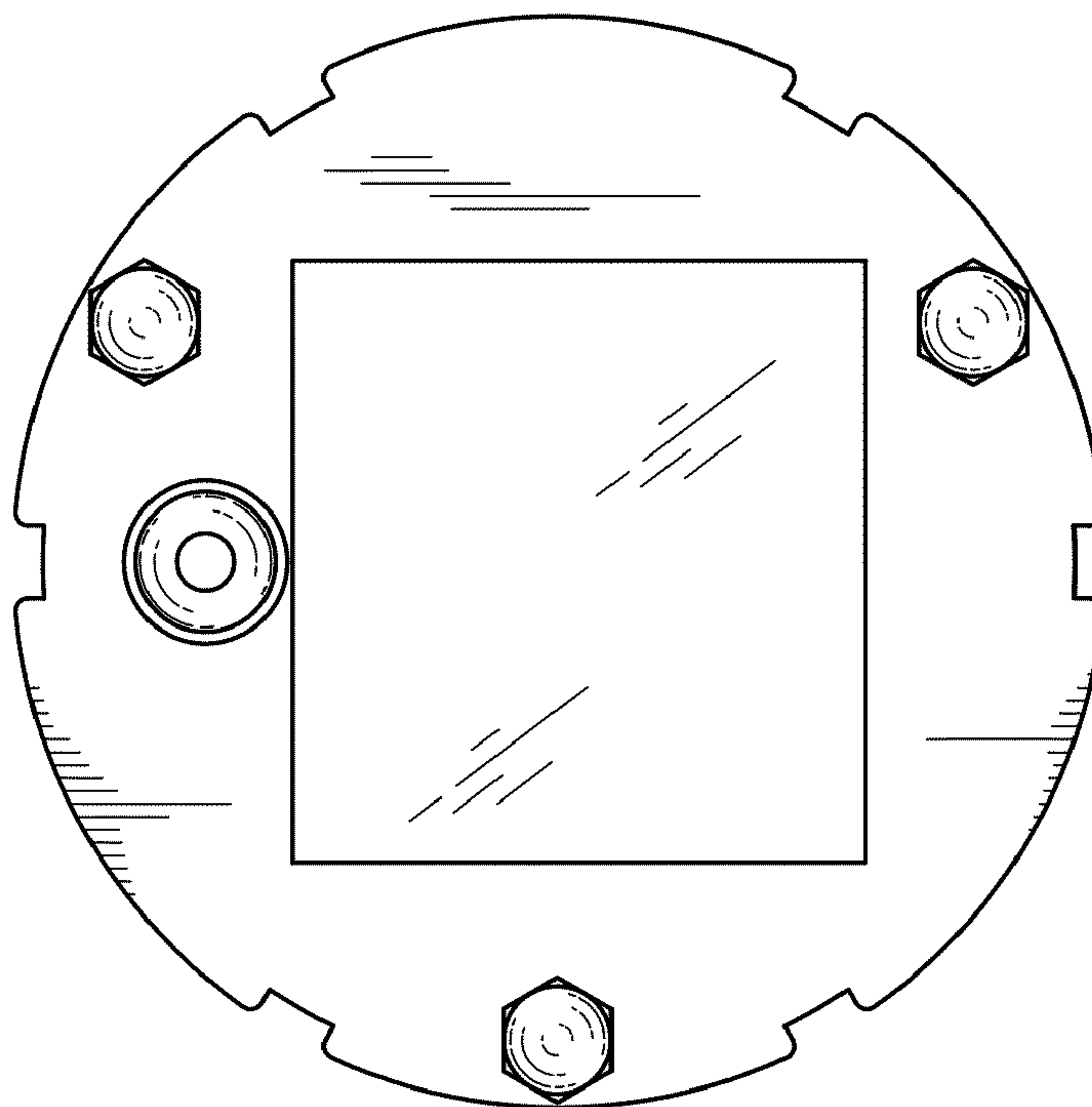


FIG. 5

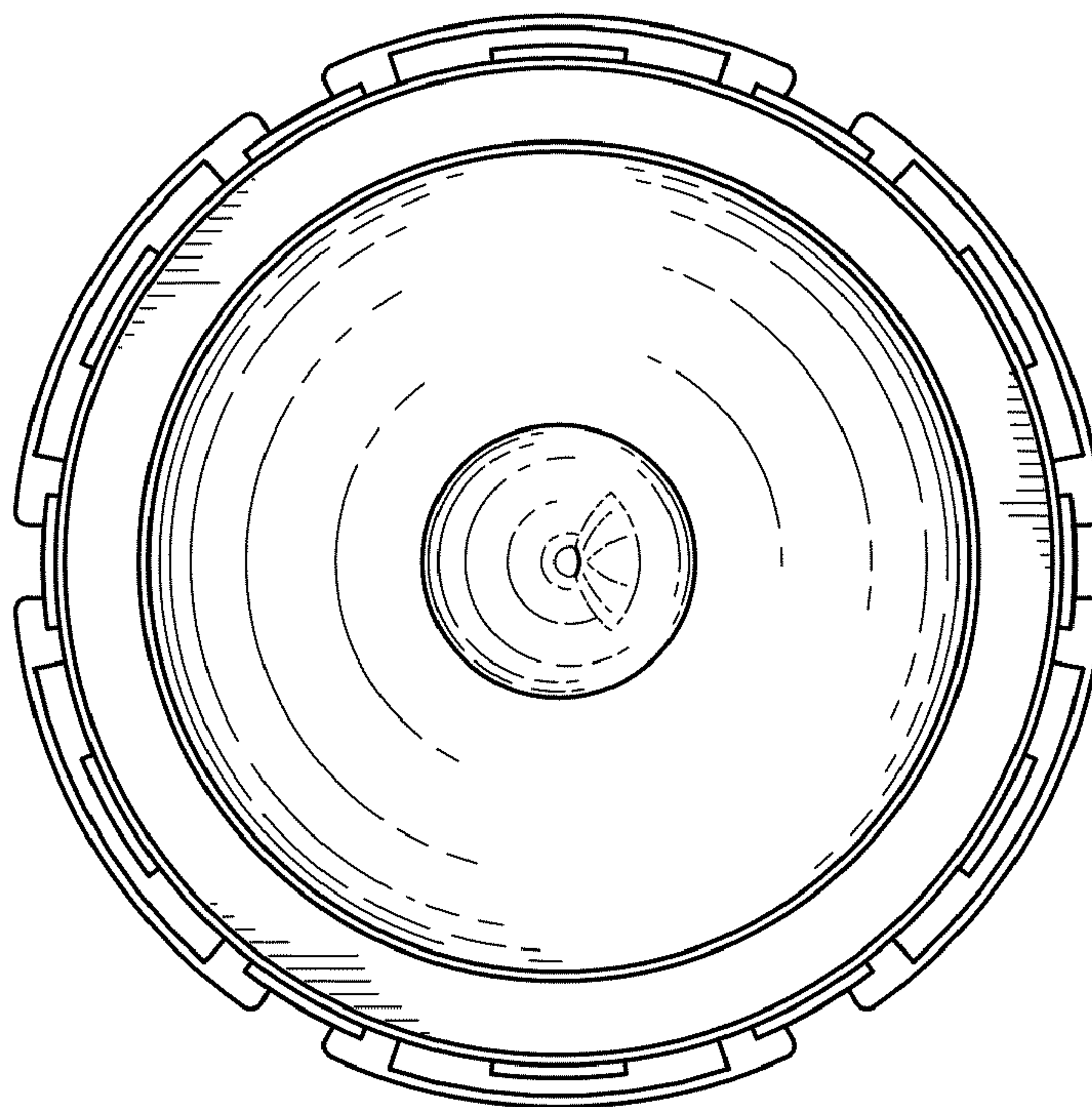


FIG. 6