



US00D644782S

(12) **United States Design Patent**  
**Kawagoe et al.**

(10) **Patent No.:** **US D644,782 S**

(45) **Date of Patent:** **\*\* Sep. 6, 2011**

(54) **LIGHT EMITTING DIODE LAMP**

(56) **References Cited**

(75) Inventors: **Shinya Kawagoe**, Osaka (JP); **Kuninori Takezawa**, Shiga (JP); **Hayato Kameyama**, Osaka (JP); **Naotaka Hashimoto**, Osaka (JP); **Toshikazu Endou**, Osaka (JP)

(73) Assignee: **Panasonic Corporation**, Osaka (JP)

(\*\*) Term: **14 Years**

(21) Appl. No.: **29/383,438**

(22) Filed: **Jan. 18, 2011**

U.S. PATENT DOCUMENTS

RE23,193	E	*	1/1950	Packer et al.	362/371
D170,925	S	*	11/1953	Kaveckas	D24/210
3,666,040	A	*	5/1972	Junk	181/150
4,780,799	A		10/1988	Groh	
4,841,422	A		6/1989	Groh	
D302,863	S	*	8/1989	Krol	D26/26
D331,638	S	*	12/1992	Vamberszky et al.	D26/118
D343,019	S	*	1/1994	Garrity	D26/37
5,483,428	A	*	1/1996	Poppenheimer	362/101
D366,947	S	*	2/1996	Brown	D26/37
D382,659	S	*	8/1997	Kaloustian	D26/28
D383,564	S	*	9/1997	Lecluze	D26/118
D428,155	S	*	7/2000	Chalberg et al.	D24/204
6,116,758	A		9/2000	Lin	
D438,328	S	*	2/2001	Pan	D26/88
D460,574	S	*	7/2002	Horowitz	D26/28

(Continued)

**Related U.S. Application Data**

(62) Division of application No. 29/366,571, filed on Jul. 27, 2010, now Pat. No. Des. 636,925.

*Primary Examiner* — Cathron C Brooks

*Assistant Examiner* — Kevin Rudzinski

(30) **Foreign Application Priority Data**

Feb. 26, 2010	(JP)	2010-4515
Feb. 26, 2010	(JP)	2010-4516
Feb. 26, 2010	(JP)	2010-4517
Feb. 26, 2010	(JP)	2010-4518

(74) *Attorney, Agent, or Firm* — Brinks Hofer Gilson & Lione

(51) **LOC (9) Cl.** ..... **26-99**

(52) **U.S. Cl.** ..... **D26/120**

(58) **Field of Classification Search** ..... D26/118,  
D26/138, 2, 24, 26, 28, 37, 74, 142, 152,  
D26/63, 68, 140, 80, 72, 76, 78, 92, 113,  
D26/119, 120, 121, 122, 123, 124, 128, 129,  
D26/130, 145, 147, 153, 154, 155, 65, 71,  
D26/85, 88, 89, 90, 84, 75, 107, 87; 362/394,  
362/364, 365, 147, 418, 293, 362, 326, 290,  
362/249.01–249.11, 148, 396, 287, 275,  
362/276; 250/342, 347; D25/123, 138; 439/111,  
439/121, 122, 119, 120; D13/134, 179, 180,  
D13/133

See application file for complete search history.

(57) **CLAIM**

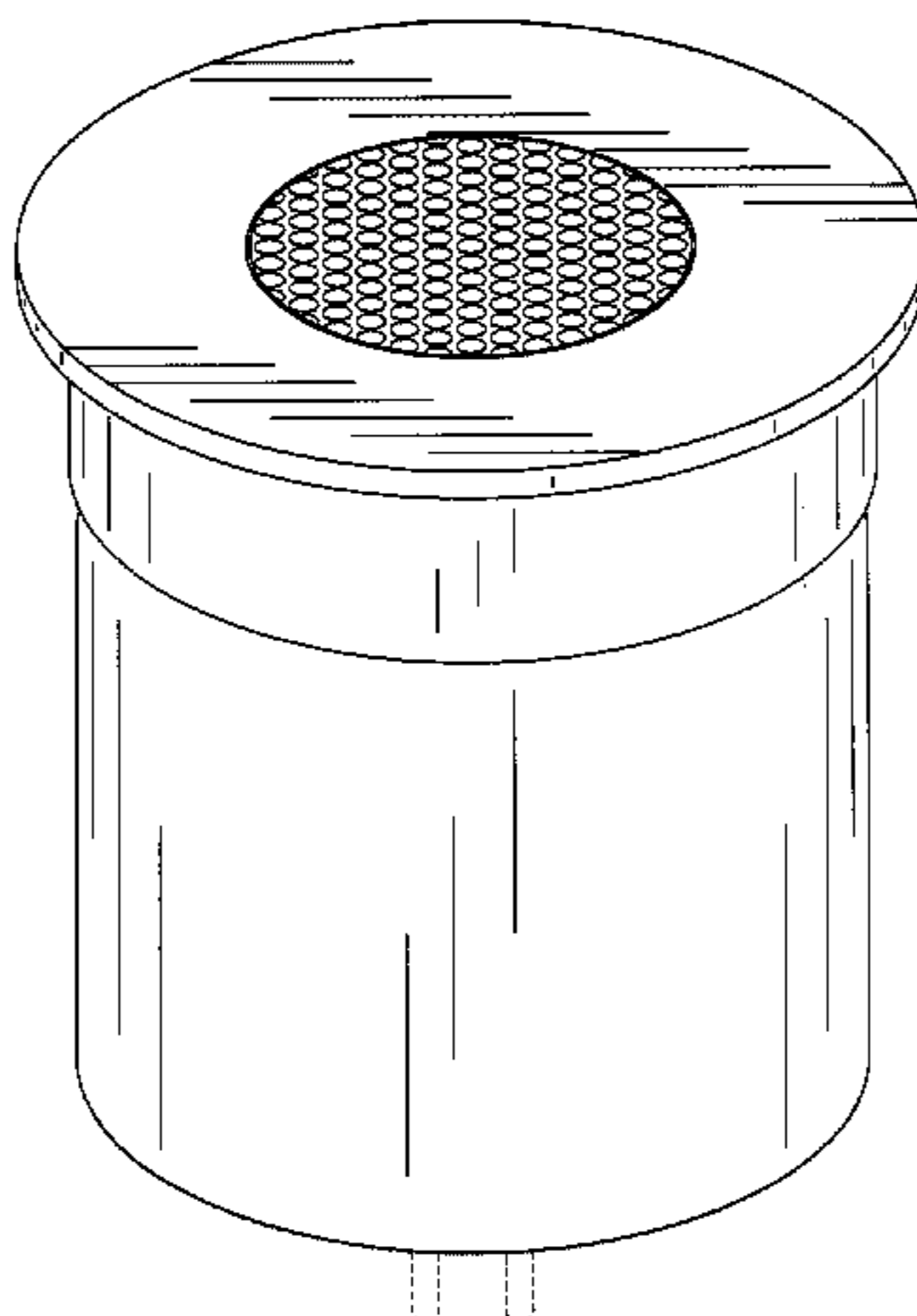
We claim the ornamental design for a light emitting diode lamp, as shown and described.

**DESCRIPTION**

FIG. 1 is a top perspective view of a light emitting diode lamp of the present invention;  
FIG. 2 is a front view thereof;  
FIG. 3 is a rear view thereof;  
FIG. 4 is a first side view thereof;  
FIG. 5 is a second side view thereof;  
FIG. 6 is a top view thereof;  
FIG. 7 is a bottom view thereof; and,  
FIG. 8 is a top perspective view thereof shown in an environmental use.

The broken line showing of light emitting diode lamp is included for the purpose of illustrating environment and forms no part of the claimed design.

**1 Claim, 8 Drawing Sheets**



# US D644,782 S

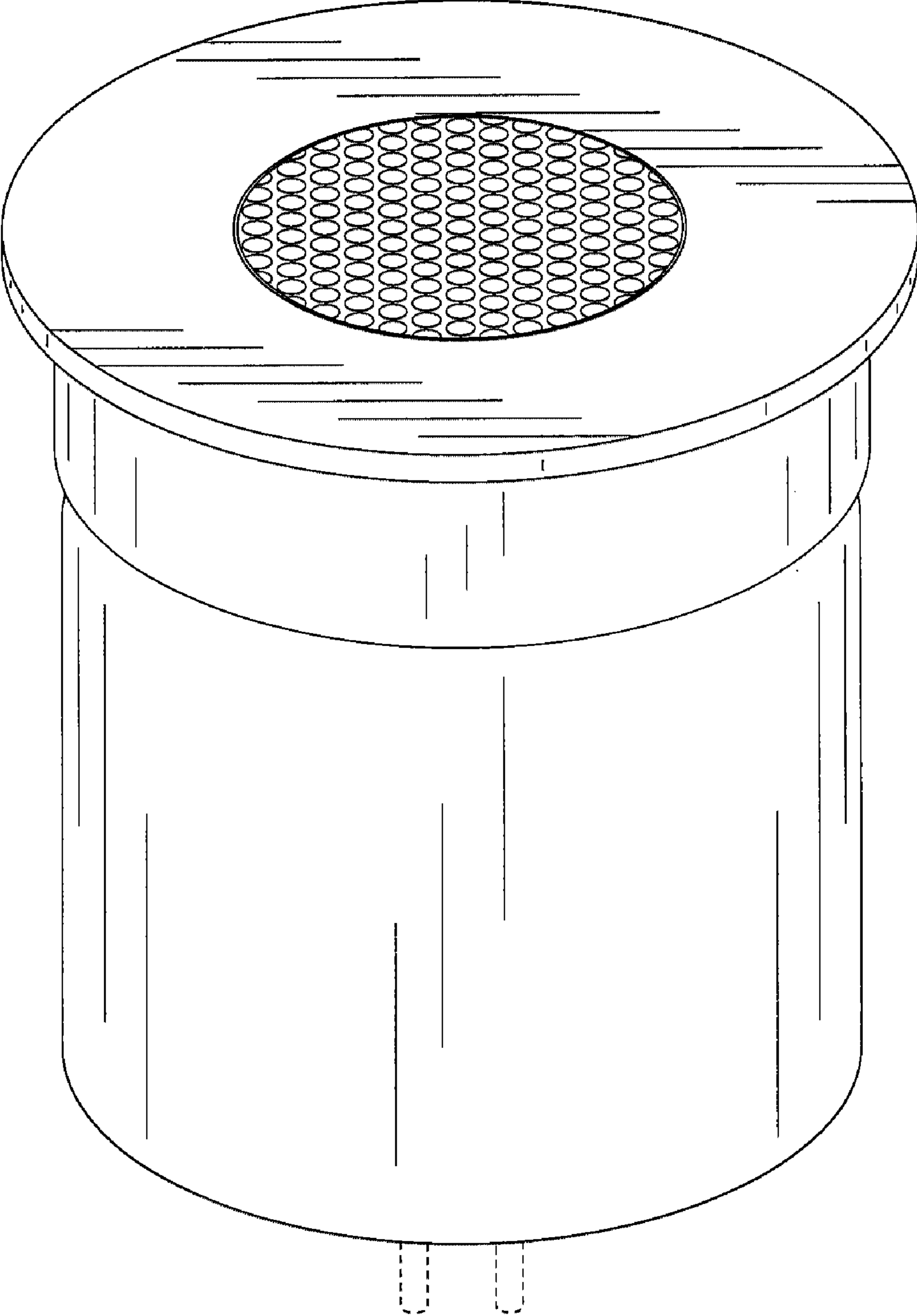
Page 2

## U.S. PATENT DOCUMENTS

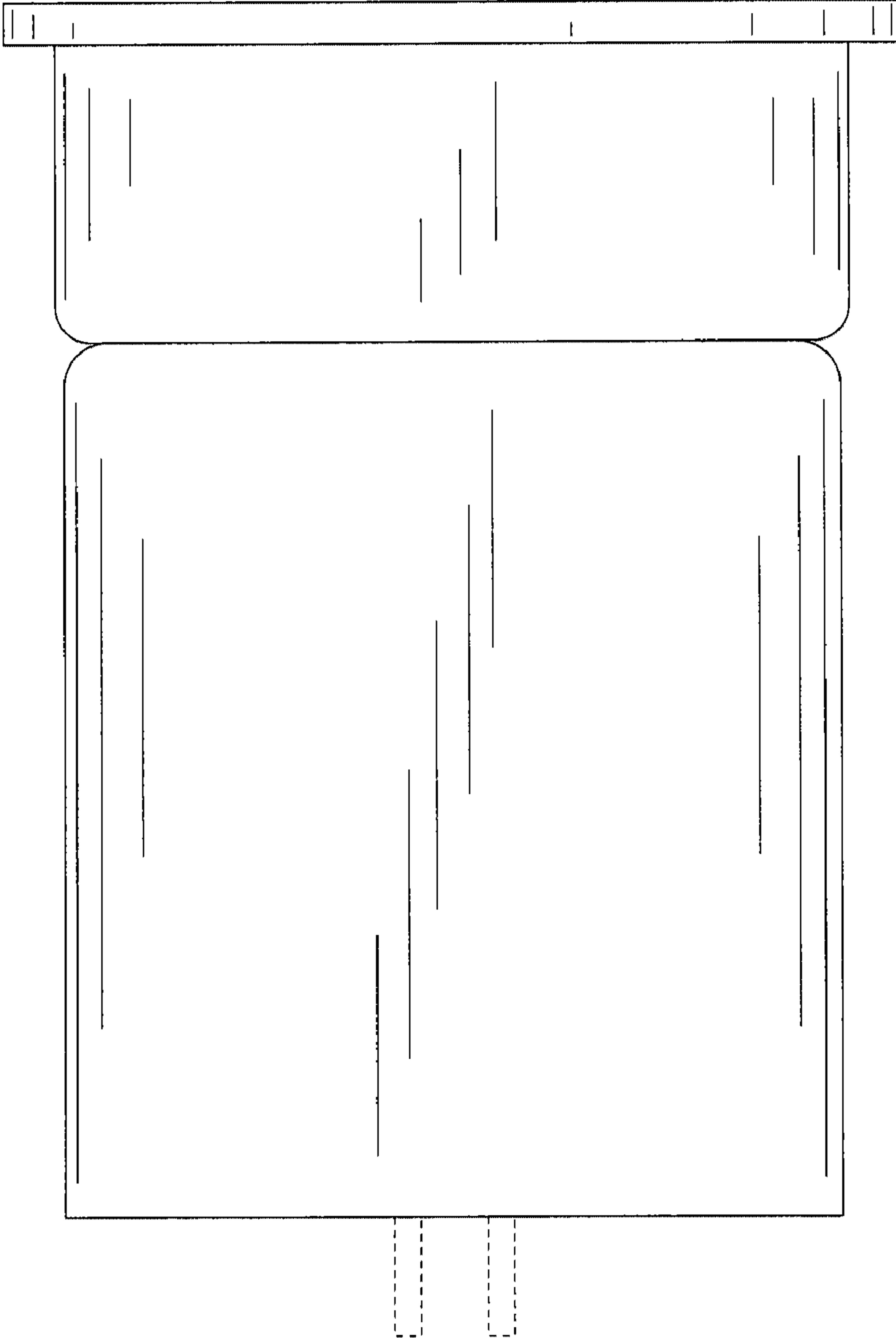
6,474,846	B1 *	11/2002	Kelmelis et al. ....	362/365	7,465,077	B1 *	12/2008	Mier-Langner et al. ....	362/365
D472,996	S *	4/2003	Horowitz .....	D26/28	D584,428	S *	1/2009	Li et al. ....	D26/2
D474,299	S *	5/2003	Lecluze .....	D26/74	D585,579	S *	1/2009	Lehman .....	D26/63
6,565,230	B2	5/2003	Ashley		D593,222	S	5/2009	To et al.	
D476,108	S *	6/2003	Lecluze .....	D26/74	D594,997	S *	6/2009	Zhu et al. ....	D26/2
6,655,813	B1 *	12/2003	Ng .....	362/148	D595,452	S *	6/2009	Khang et al. ....	D26/138
D488,583	S *	4/2004	Benghozi .....	D26/118	D599,921	S *	9/2009	Rivardo et al. ....	D26/24
6,979,107	B1 *	12/2005	Benensohn .....	362/374	D601,275	S *	9/2009	Ho et al. ....	D26/2
D518,028	S *	3/2006	Halsall et al. ....	D14/216	D605,789	S *	12/2009	Ko .....	D26/28
7,093,953	B1 *	8/2006	Dicke et al. ....	362/196	D606,696	S *	12/2009	Chen et al. ....	D26/74
D560,829	S *	1/2008	Mason, II .....	D26/28	D612,956	S *	3/2010	Moon .....	D26/2
D561,917	S *	2/2008	Tsao .....	D26/2	D613,434	S *	4/2010	Weiss .....	D26/2
D574,095	S *	7/2008	Hill et al. ....	D26/26	D615,239	S *	5/2010	Rashidi .....	D26/118
D574,541	S *	8/2008	Matsumoto et al. ....	D26/74	D628,312	S *	11/2010	Yamamoto et al. ....	D26/2
D581,555	S	11/2008	To et al.						

\* cited by examiner

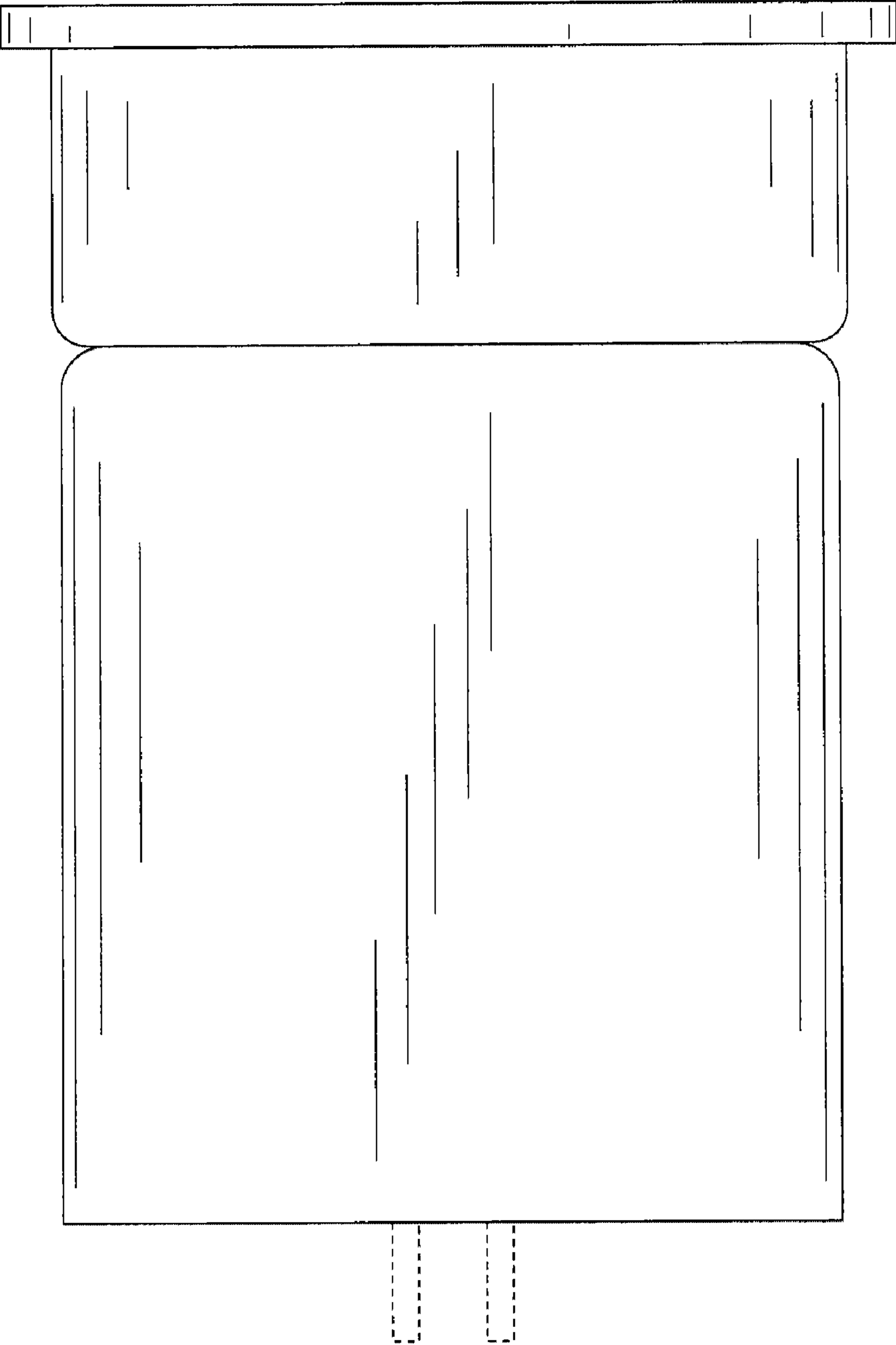
**FIG. 1**



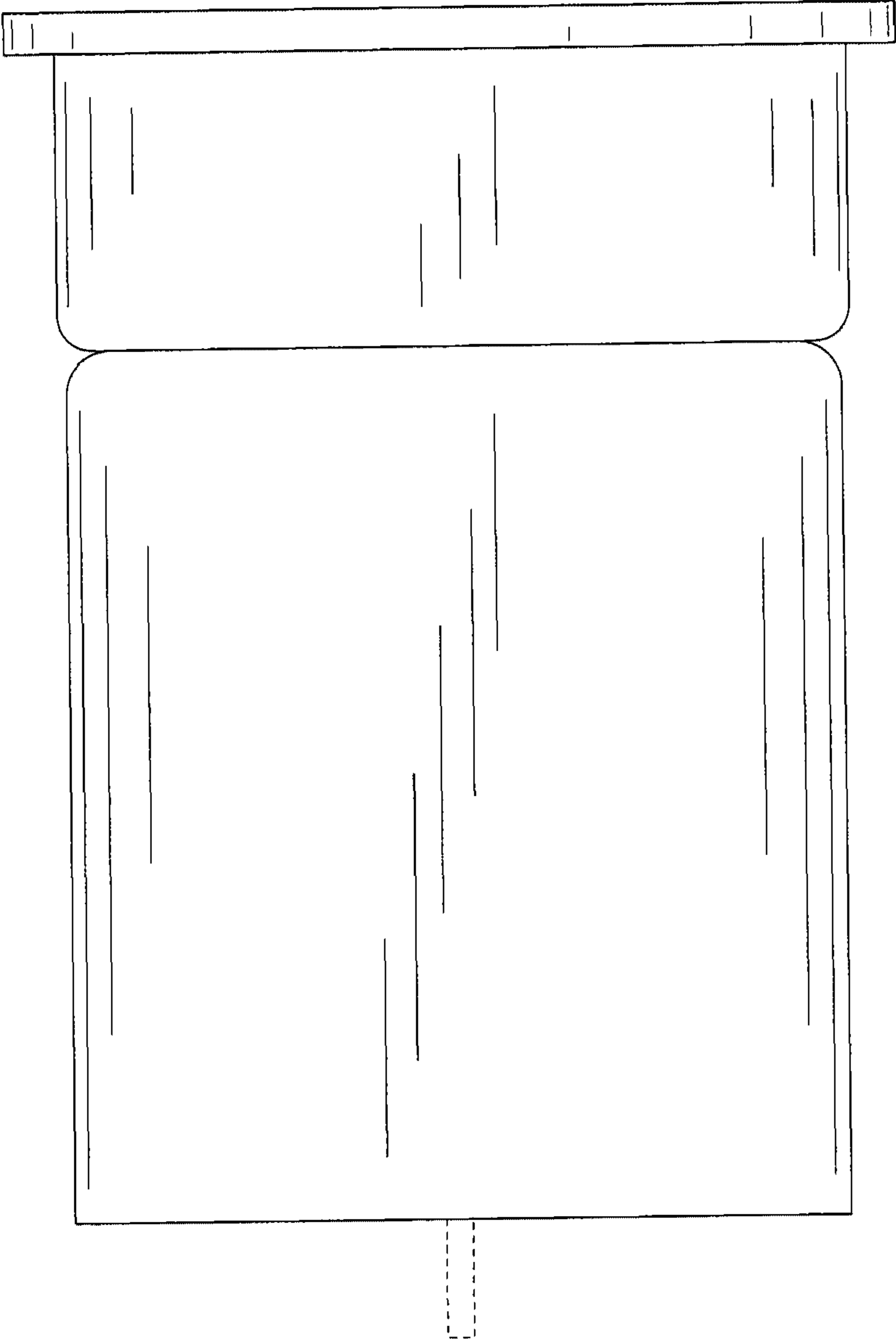
**FIG.2**



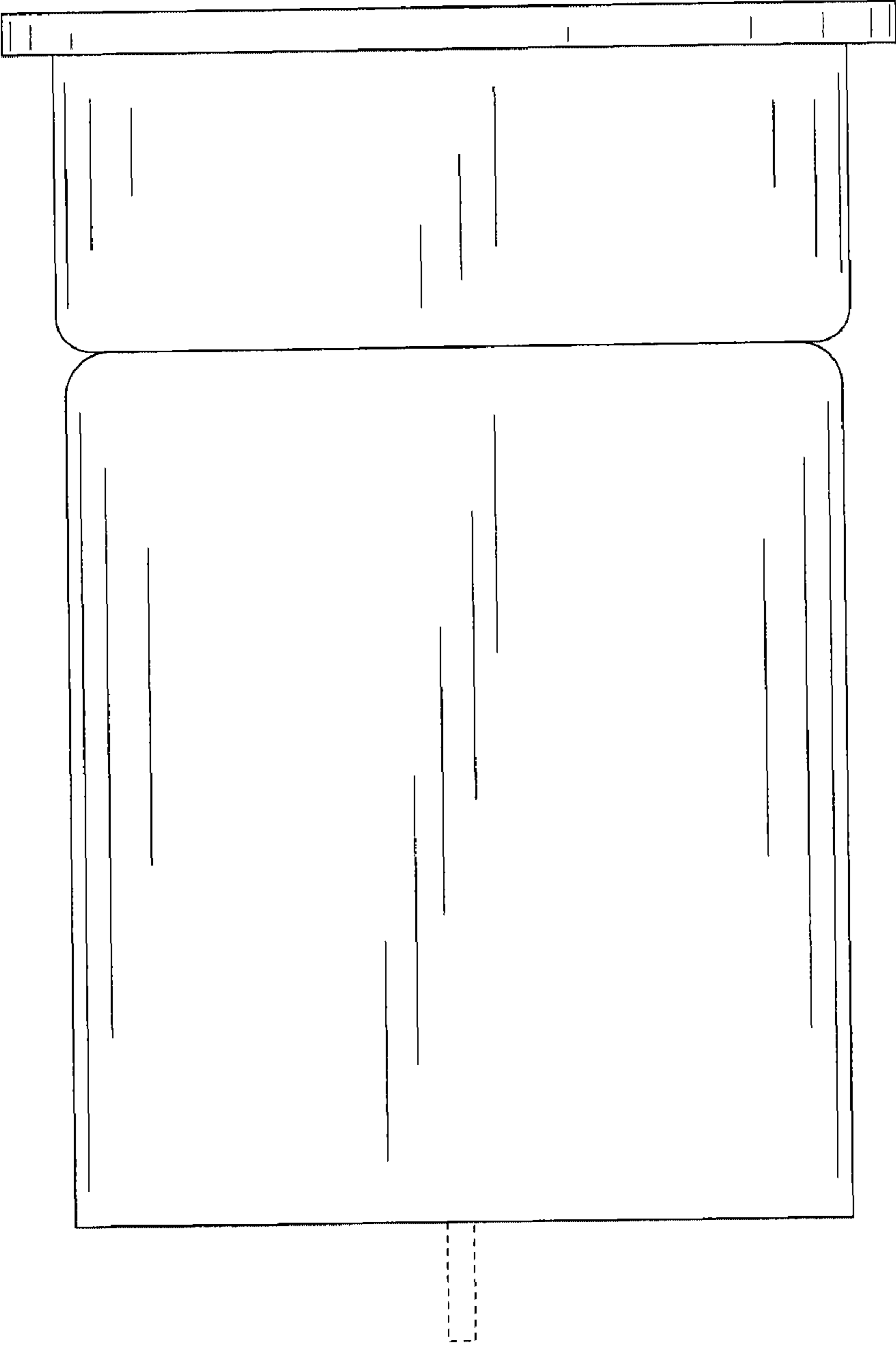
**FIG.3**



**FIG. 4**

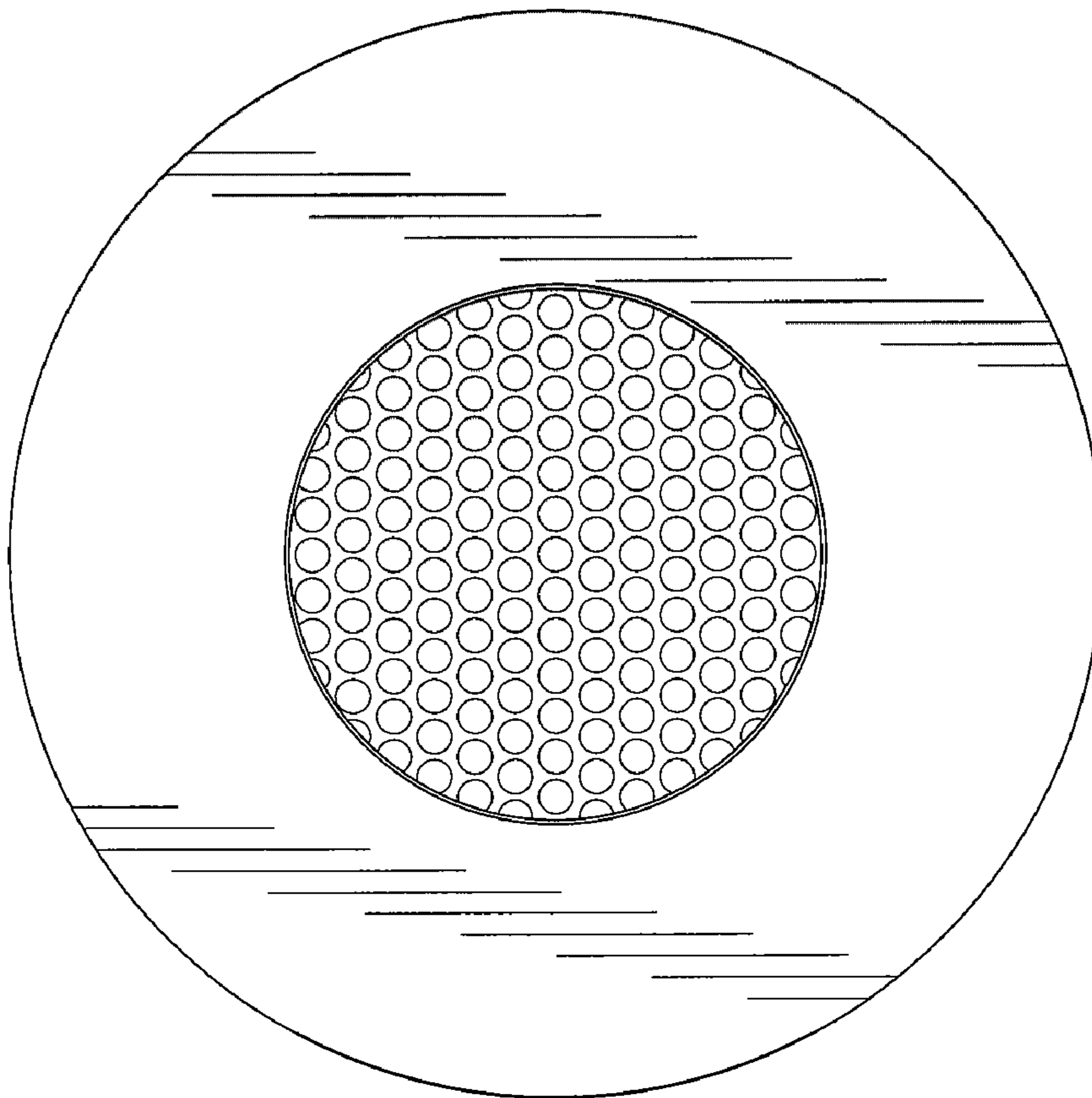


**FIG.5**



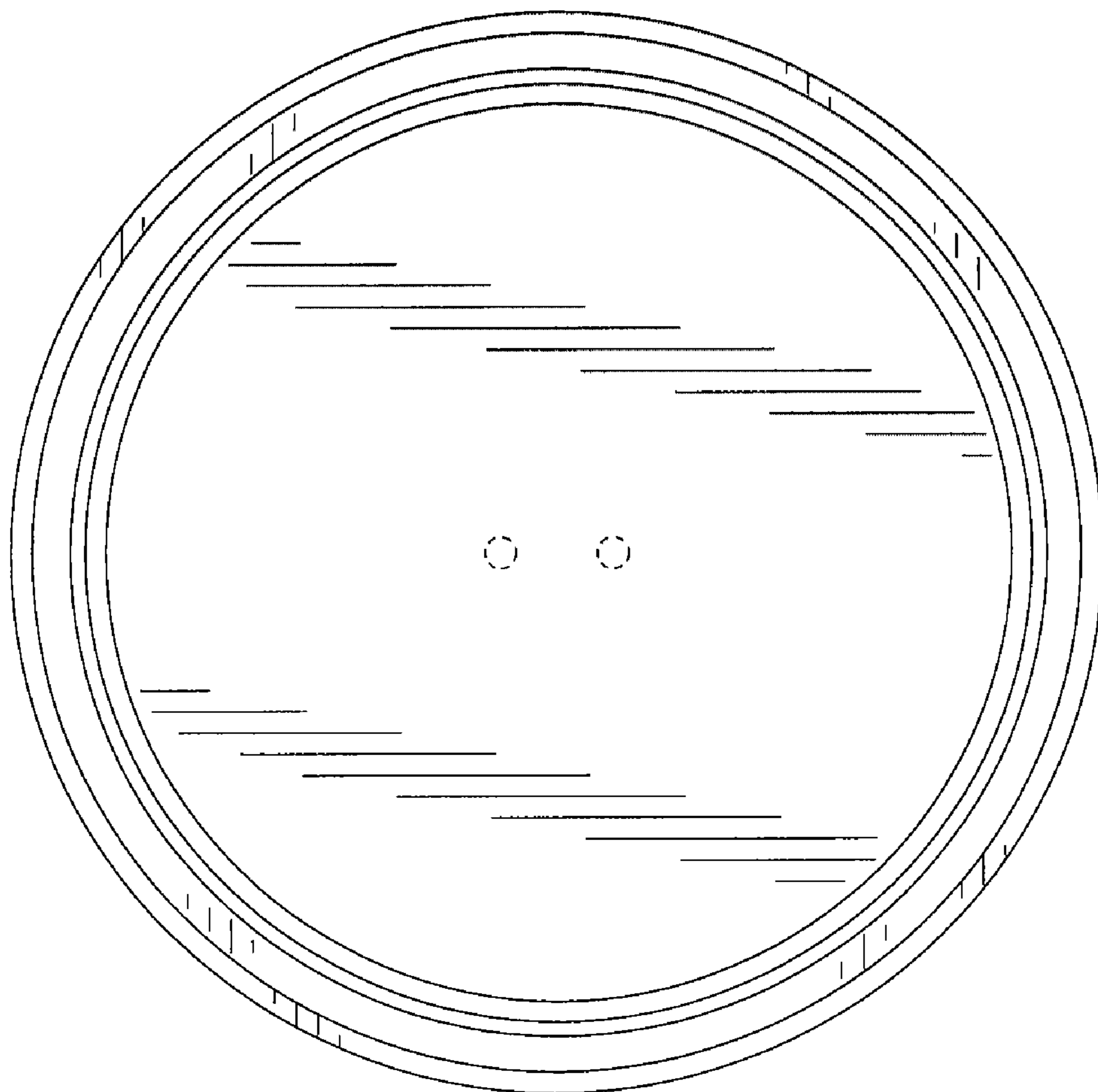


**FIG.6**





**FIG.7**



**FIG. 8**

