



US00D644780S

(12) **United States Design Patent**
Jabra et al.

(10) **Patent No.:** **US D644,780 S**
(45) **Date of Patent:** **** Sep. 6, 2011**

- (54) **LENS FOR AN LED LUMINAIRE**
- (75) Inventors: **Jonathan Jabra**, Laval (CA); **Eric Marcoux**, Laval (CA)
- (73) Assignee: **U.S. LED, Ltd.**, Houston, TX (US)
- (**) Term: **14 Years**
- (21) Appl. No.: **29/380,476**
- (22) Filed: **Dec. 6, 2010**
- (51) **LOC (9) Cl.** **26-99**
- (52) **U.S. Cl.** **D26/120**
- (58) **Field of Classification Search** D26/125,
D26/49, 46, 37, 118, 71, 92, 85, 87, 128,
D26/63, 65, 88, 76, 120, 113, 119, 138, 2,
D26/67, 72, 93, 123, 129, 130, 24, 107, 108,
D26/62, 109, 51, 127, 122, 131, 140, 141,
D26/142, 143, 144, 145, 58, 60, 68; 362/101,
362/34, 346, 223, 294, 549, 109, 190, 192,
362/249.01-249.11, 98, 99, 16, 17, 18, 19;
D13/179, 180; D23/411; 424/401, 402,
424/403, 404, 405; D8/353; 248/158, 122.1;
D25/124; D16/135, 131, 244, 136; D15/90;
359/801, 802, 807, 812; 119/245, 246, 247,
119/253, 256, 266
See application file for complete search history.

- (56) **References Cited**
U.S. PATENT DOCUMENTS
2,277,433 A * 3/1942 Guth 362/356
2,356,654 A * 8/1944 Cullman 362/223
D302,049 S * 7/1989 Gecchelin D26/122

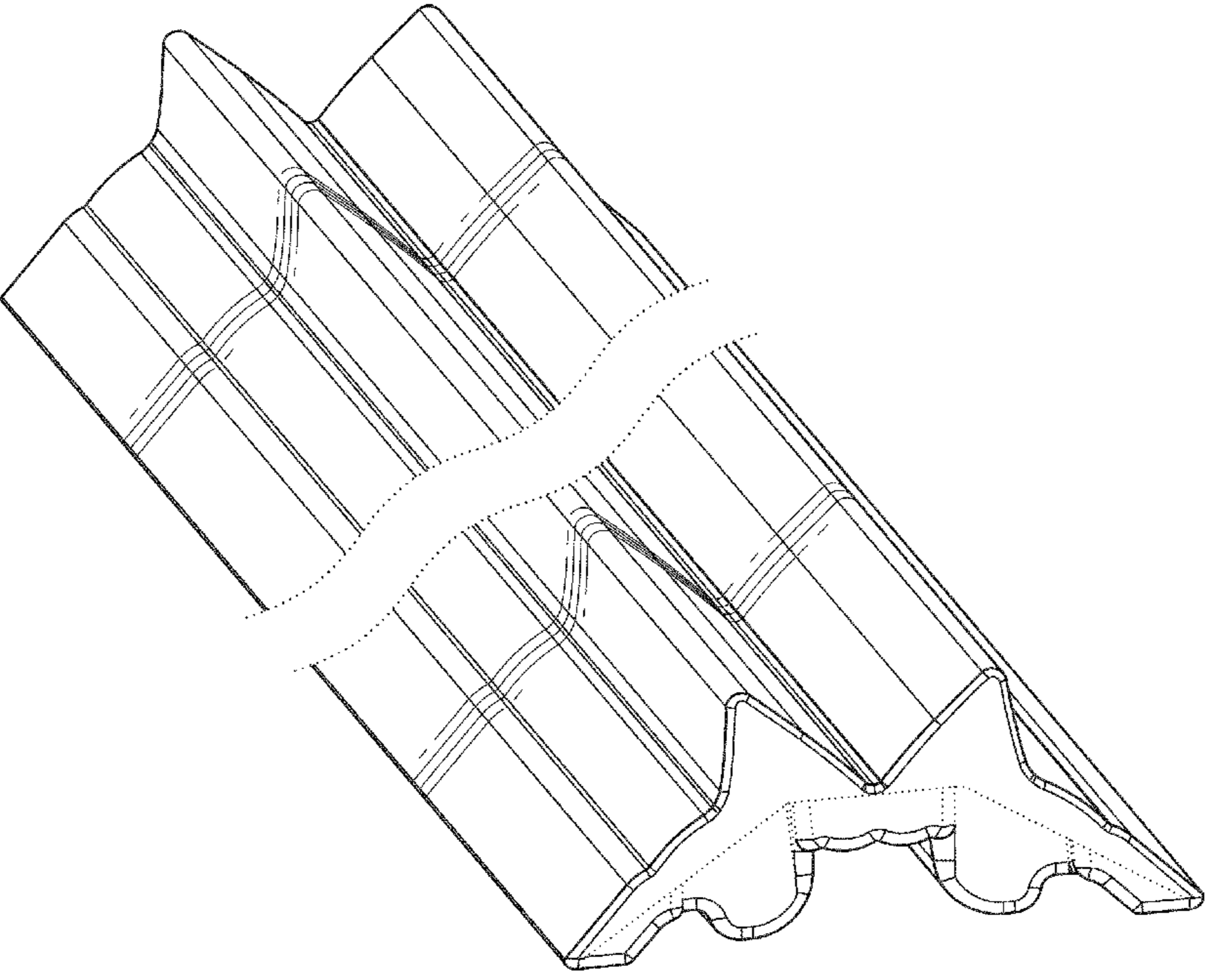
- 5,526,190 A * 6/1996 Hubble et al. 359/719
 - 7,159,997 B2 * 1/2007 Reo et al. 362/240
 - 7,387,399 B2 * 6/2008 Noh et al. 362/97.1
 - D577,852 S * 9/2008 Miyairi et al. D26/120
 - D582,602 S * 12/2008 Maxik et al. D26/118
 - D590,099 S * 4/2009 Maxik et al. D26/118
 - D606,501 S * 12/2009 Plonski et al. D13/179
 - D617,937 S * 6/2010 Farmer et al.
 - D627,095 S * 11/2010 Miyairi et al. D26/120
 - D628,540 S * 12/2010 Tsou D13/180
 - 2002/0149934 A1 * 10/2002 Lin 362/240
 - 2006/0198144 A1 * 9/2006 Miyairi et al. 362/257
 - 2007/0019416 A1 * 1/2007 Han et al. 362/307
 - 2008/0285264 A1 * 11/2008 Whitehouse et al. 362/217
- * cited by examiner

Primary Examiner — Cathron Brooks
Assistant Examiner — Kevin Rudzinski
 (74) *Attorney, Agent, or Firm* — Wong, Cabello, Lutsch,
 Rutherford & Brucculeri, LLP

(57) **CLAIM**
 The ornamental design for a lens for an LED luminaire, as shown and described.

DESCRIPTION
 FIG. 1 is an isometric view of the lens;
 FIG. 2 is an end view of the lens of FIG. 1 from a right side;
 FIG. 3 is an end view of the lens of FIG. 1 from a left side; and,
 FIG. 4 is a side elevation view of the lens of FIG. 1.
 The wavy broken lines in the drawings indicate that the design has an unspecified length and form no part of the claimed design. The surfaces on either end of the lens shown in broken lines form no part of the claimed design.

1 Claim, 2 Drawing Sheets



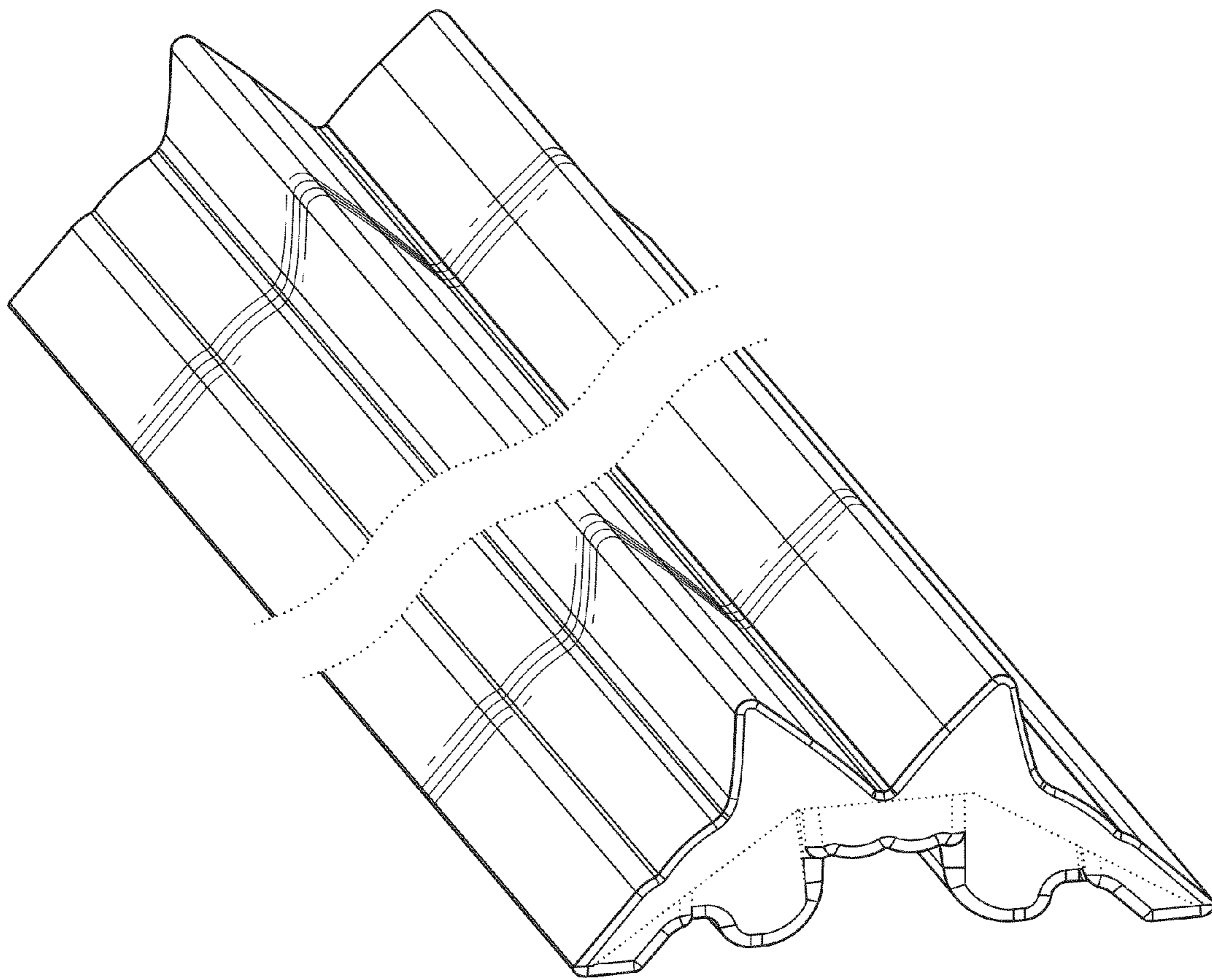


FIG. 1

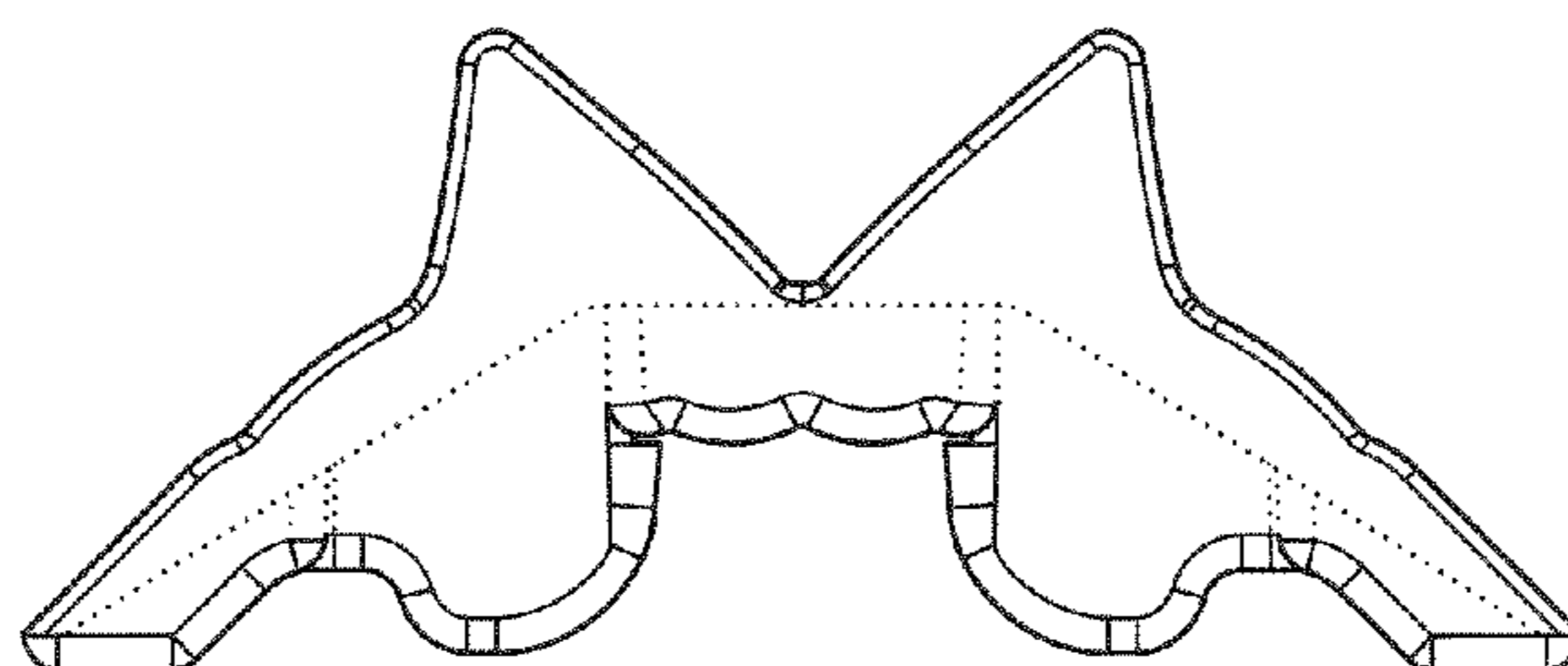


FIG. 2

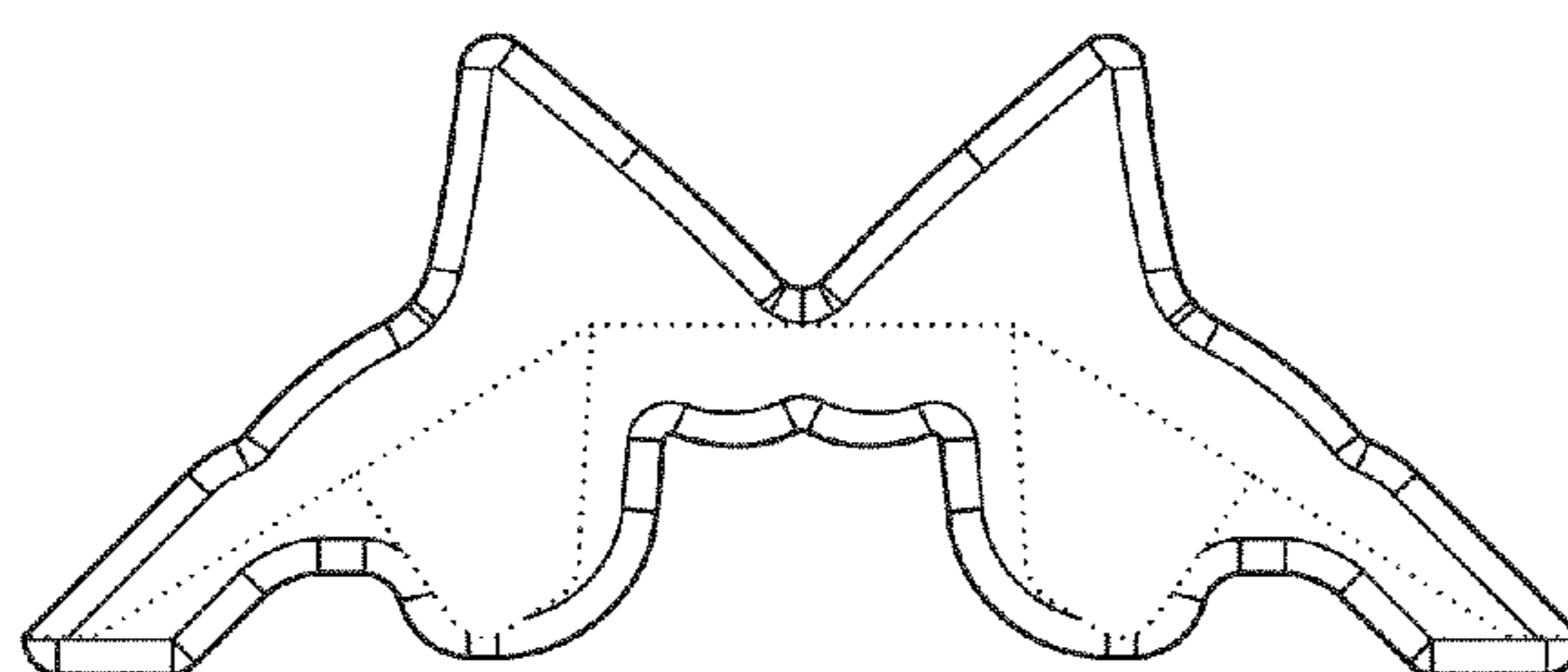


FIG. 3

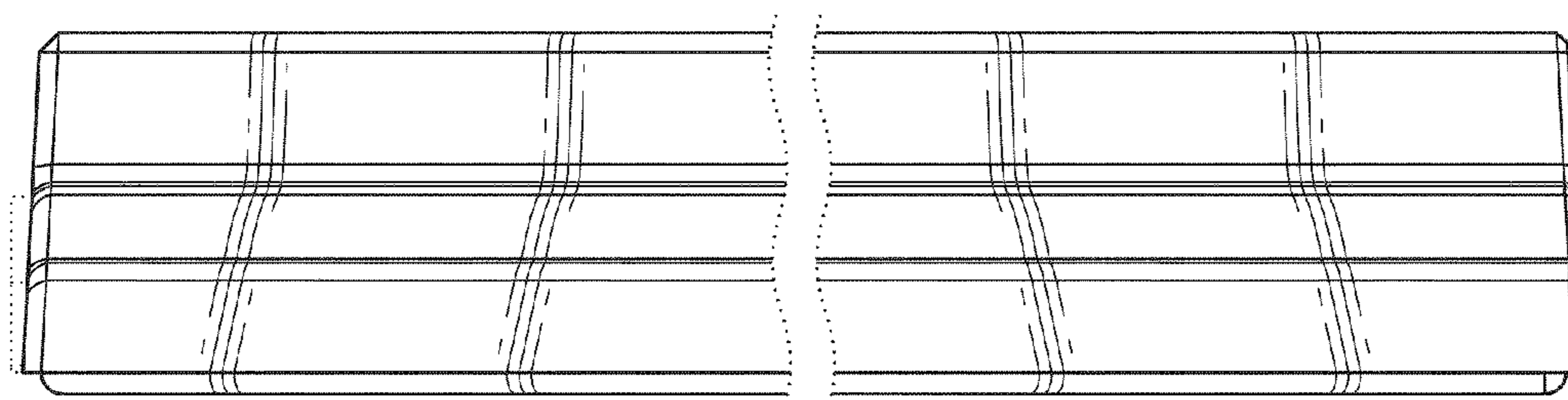


FIG. 4