



US00D644778S

(12) **United States Design Patent**  
**Lovegrove**

(10) **Patent No.:** **US D644,778 S**  
(45) **Date of Patent:** **\*\* Sep. 6, 2011**

(54) **CEILING LAMP**

(75) Inventor: **Ross Lovegrove**, Milan (IT)

(73) Assignee: **ARTEMIDE S.p.A.**, Milan (IT)

(\*\*) Term: **14 Years**

(21) Appl. No.: **29/345,235**

(22) Filed: **Oct. 13, 2009**

(30) **Foreign Application Priority Data**

Apr. 10, 2009 (EM) ..... 001120646

(51) **LOC (9) Cl.** ..... **26-03**

(52) **U.S. Cl.** ..... **D26/89; D26/83**

(58) **Field of Classification Search** ..... D26/84-92,  
D26/120, 128; 362/147, 404-408, 431, 432  
See application file for complete search history.

(56) **References Cited**

**U.S. PATENT DOCUMENTS**

D46,664 S \* 11/1914 Cobb ..... D26/84  
D61,360 S \* 8/1922 Blackwell ..... D26/88

5,868,490 A \* 2/1999 Barthelmess ..... 362/249.16  
D541,970 S \* 5/2007 Blackman ..... D26/81  
D613,448 S \* 4/2010 Lovegrove ..... D26/86  
D624,230 S \* 9/2010 Lovegrove ..... D26/86

\* cited by examiner

*Primary Examiner* — Clare E Heflin

(74) *Attorney, Agent, or Firm* — Ladas & Parry LLP

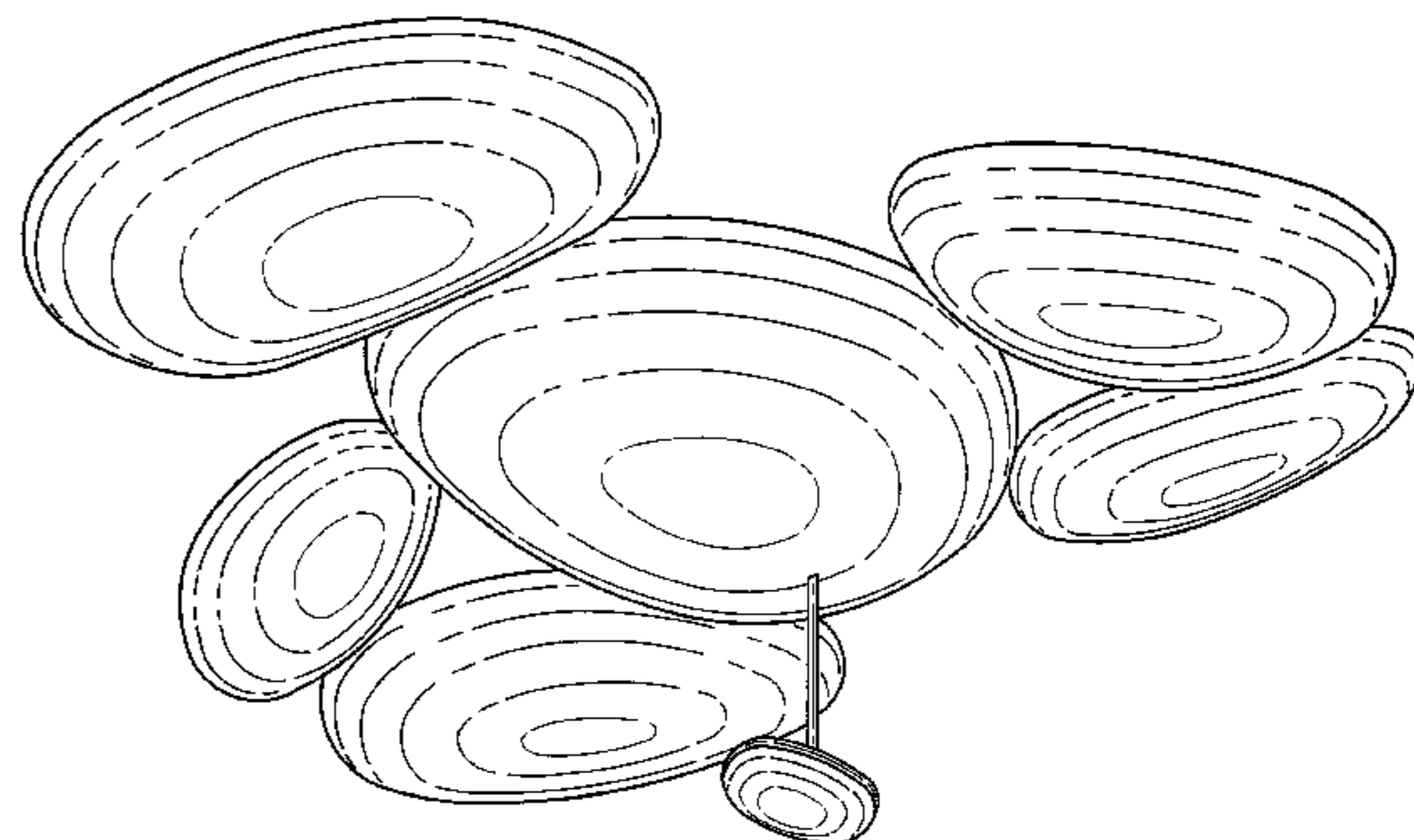
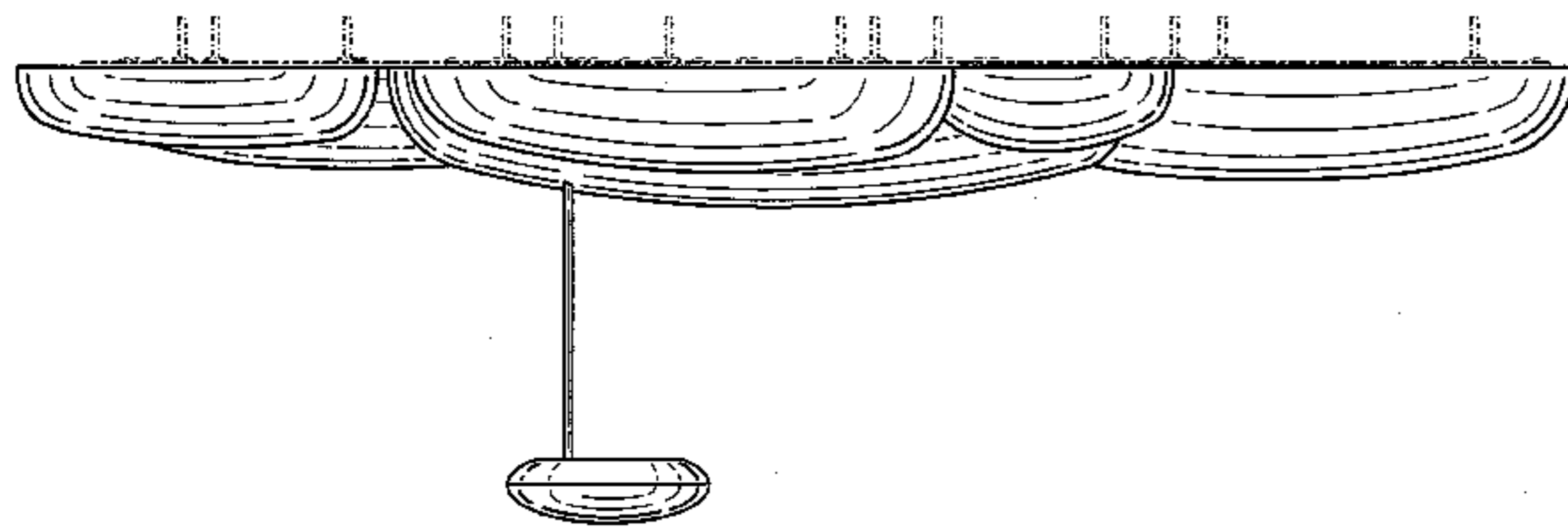
(57) **CLAIM**

I claim the ornamental design for a ceiling lamp, as shown and described.

**DESCRIPTION**

FIG. 1 is a left side view of a ceiling lamp of my new design; FIG. 2 is a rear view thereof; FIG. 3 is a right side view thereof; FIG. 4 is a front view thereof; FIG. 5 is a top view thereof; FIG. 6 is a bottom view thereof; and, FIG. 7 is a perspective view thereof. Features shown in broken lines show environmental structure and form no part of the claimed design.

**1 Claim, 7 Drawing Sheets**



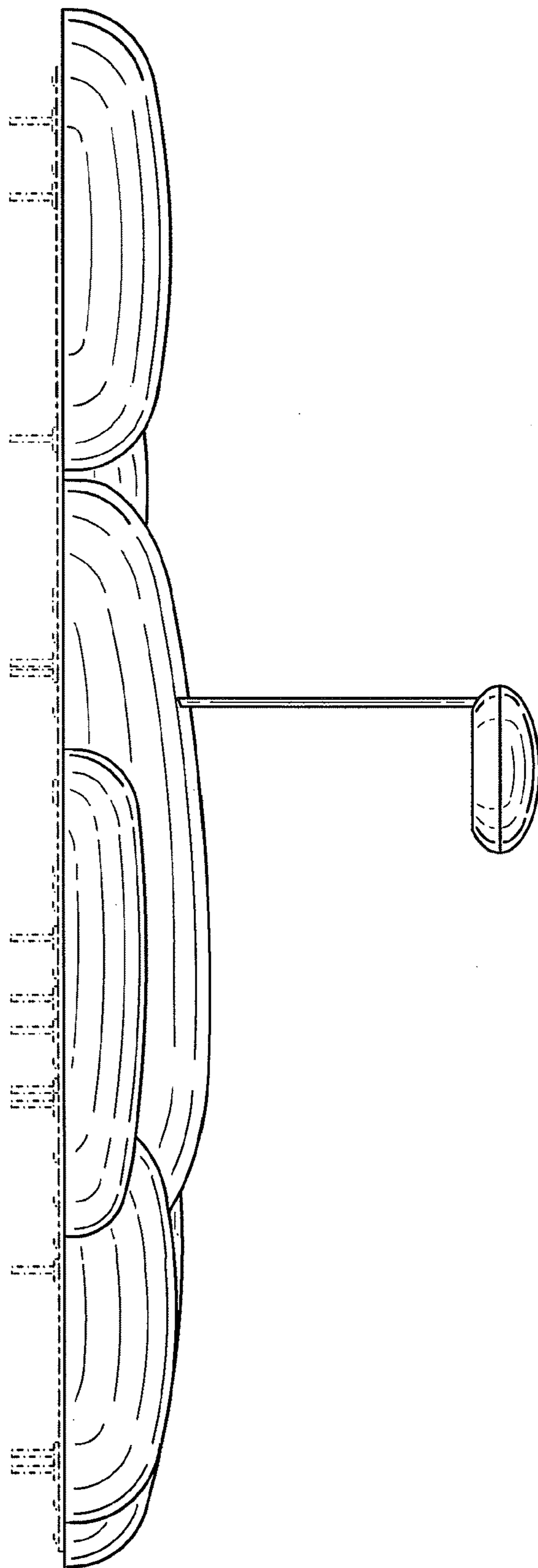


FIG. 1

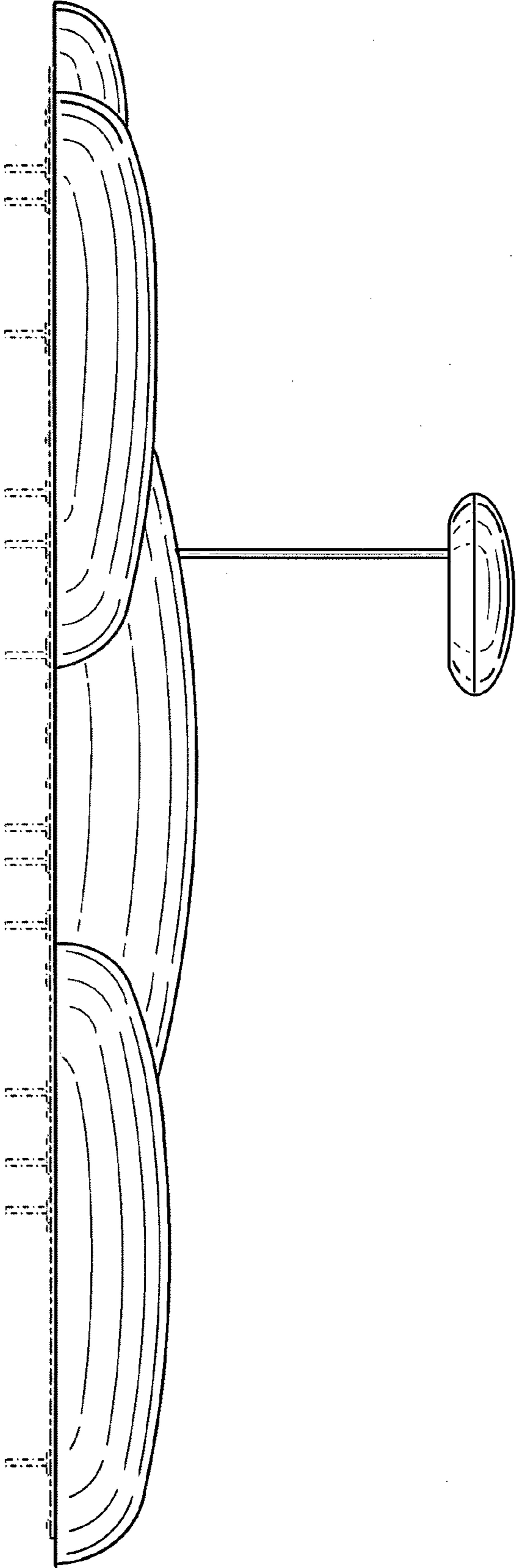


FIG. 2

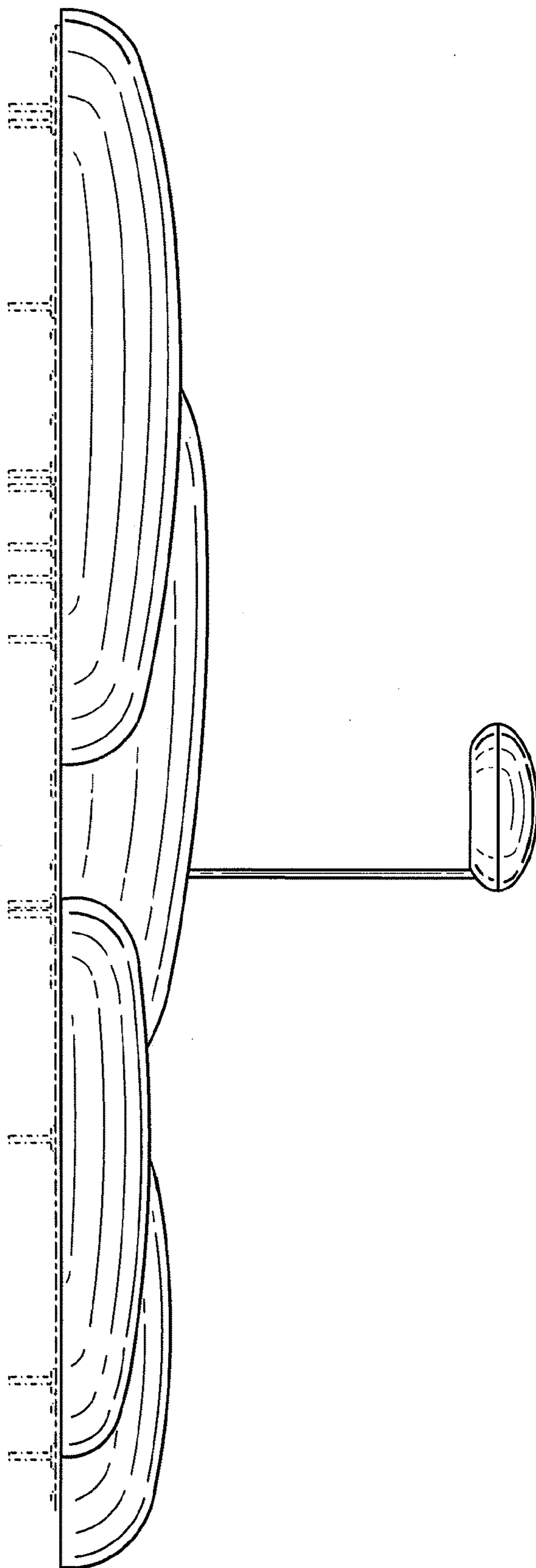


FIG. 3

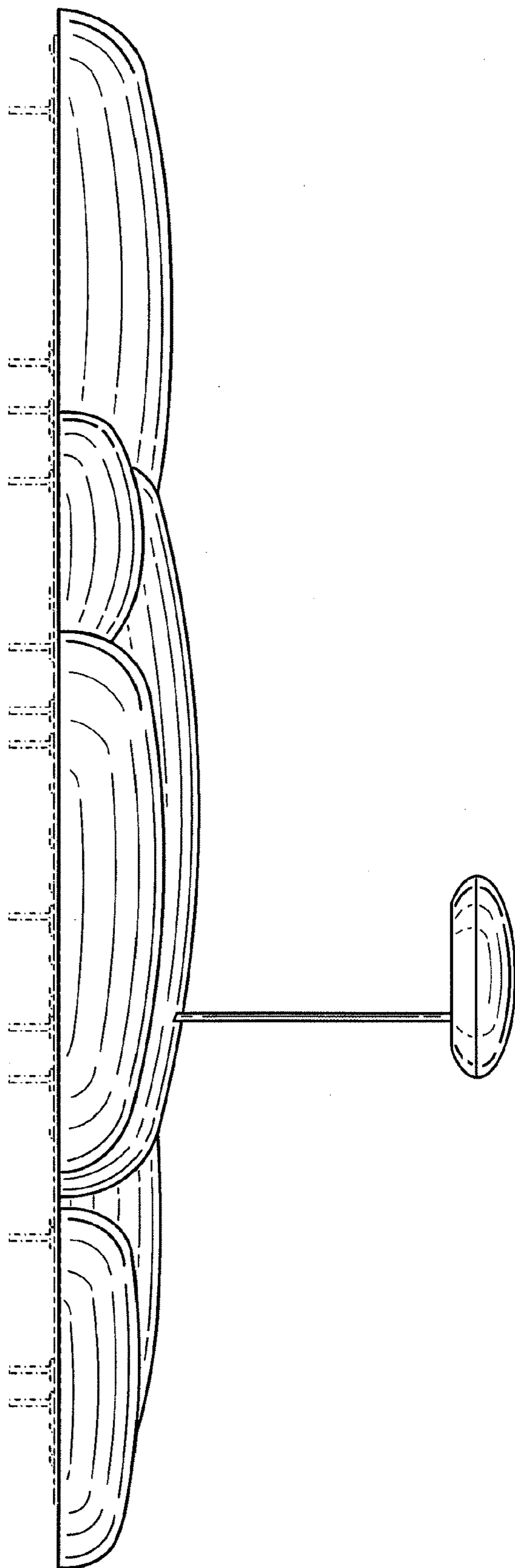
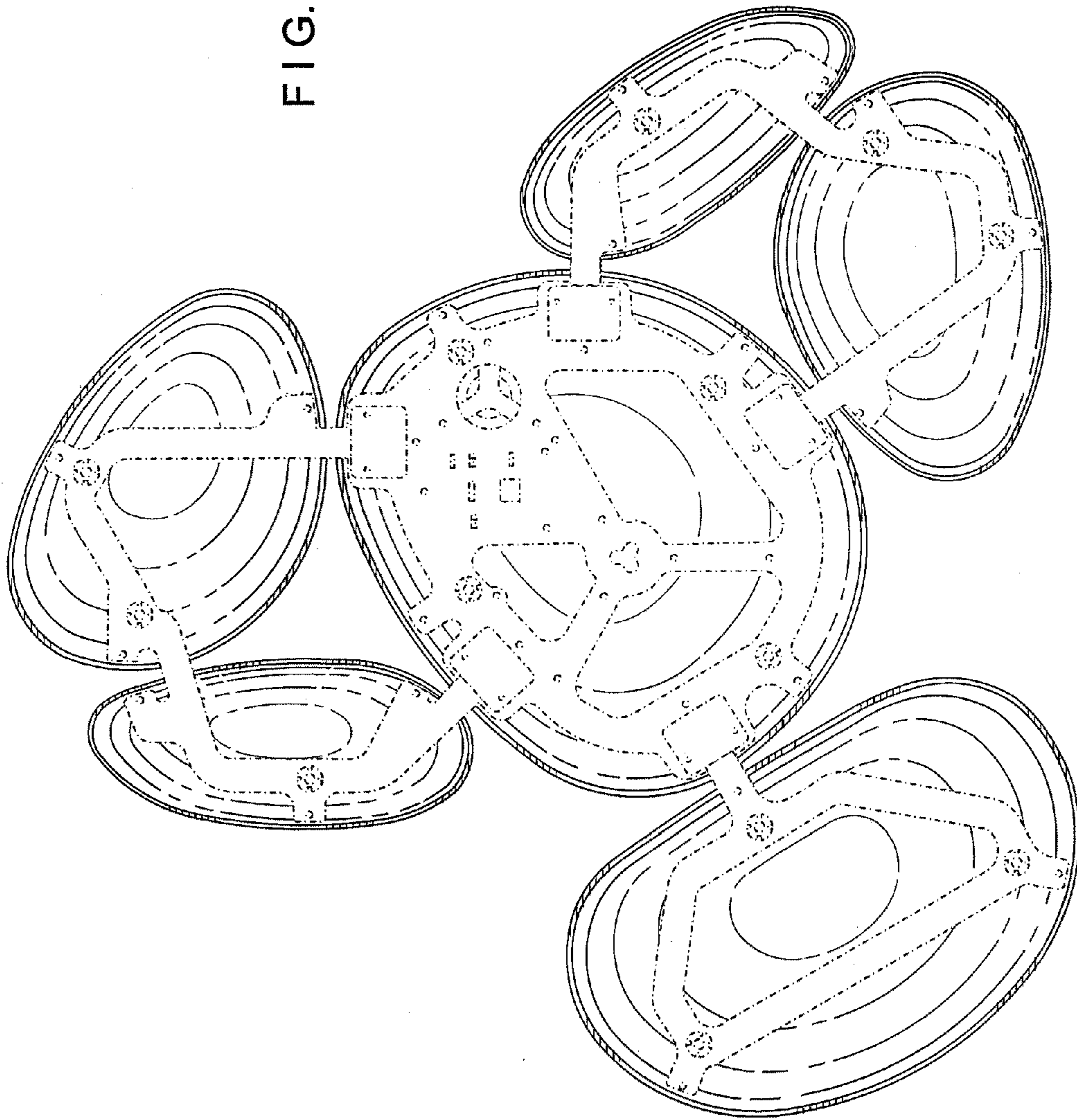


FIG. 4

FIG. 5



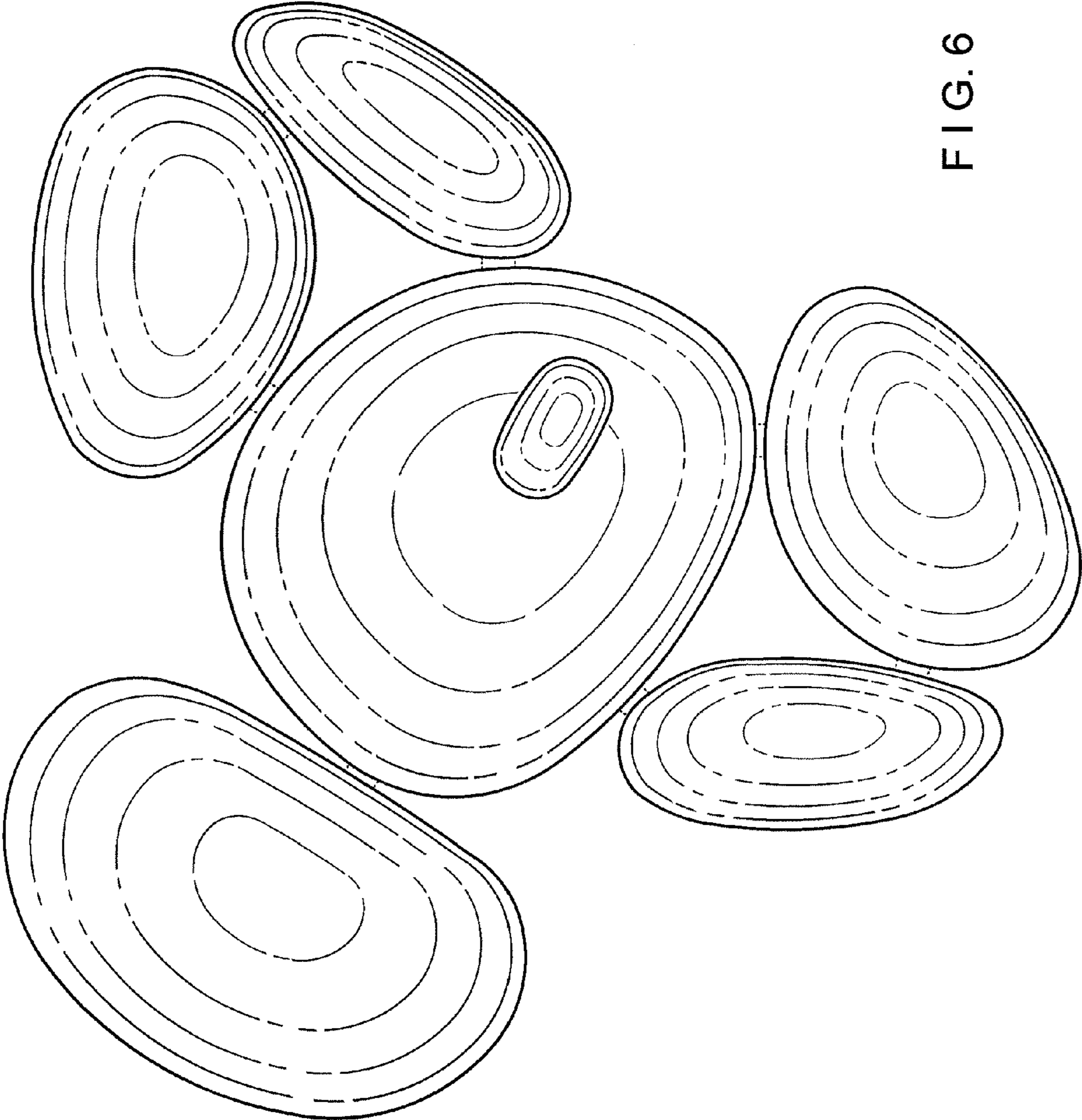


FIG. 6

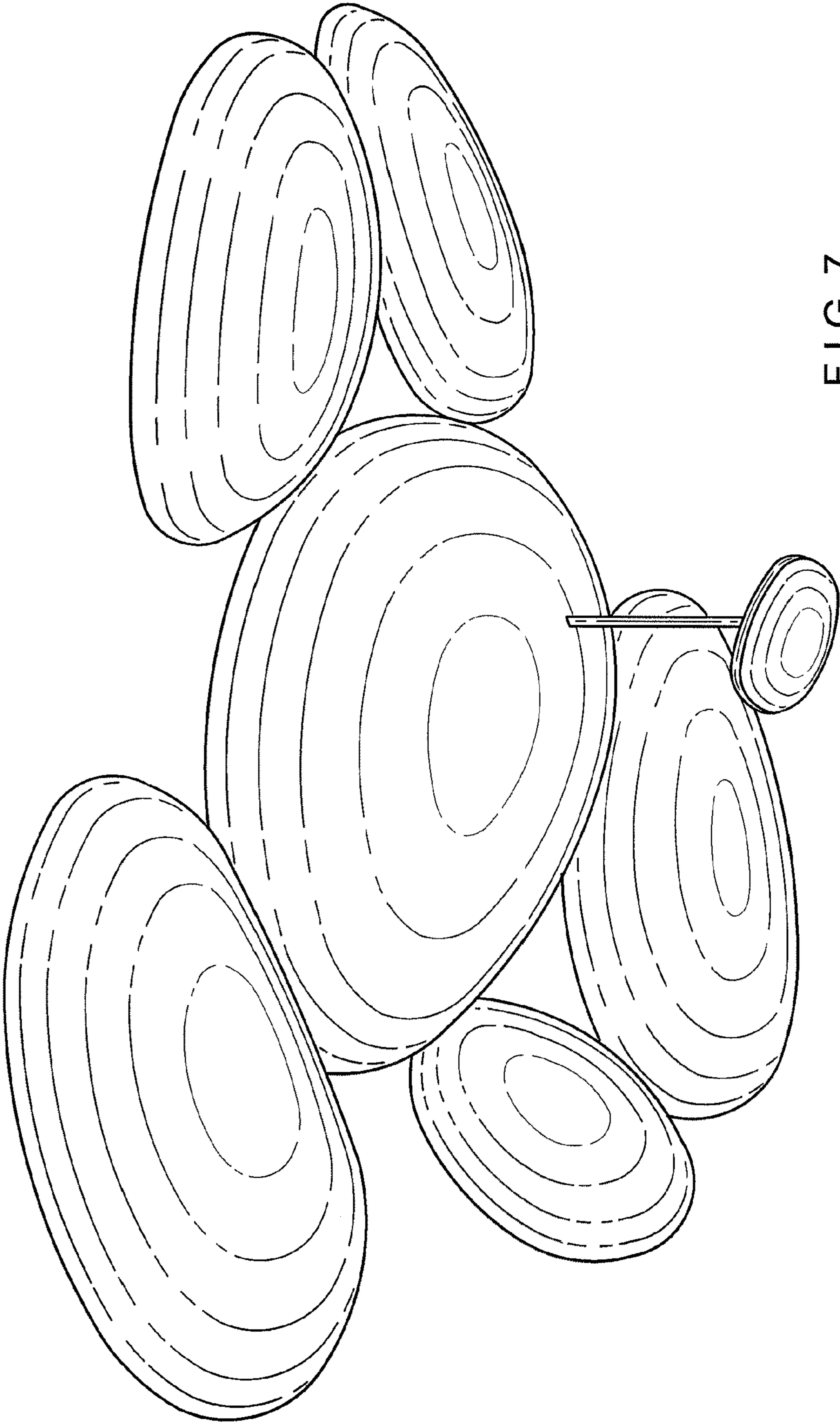


FIG. 7