



US00D644776S

(12) **United States Design Patent**  
**Rea et al.**

(10) **Patent No.:** **US D644,776 S**  
(45) **Date of Patent:** **\*\* Sep. 6, 2011**

(54) **LIGHTING APPARATUS**

(75) Inventors: **Gerald W. Rea**, Scottsburg, IN (US);  
**Robert A. Drake**, Nashville, IN (US)

(73) Assignee: **Stray Light Optical Technologies Inc.**,  
Scottsburg, IN (US)

(\*\*) Term: **14 Years**

(21) Appl. No.: **29/378,868**

(22) Filed: **Nov. 10, 2010**

(51) **LOC (9) Cl.** ..... **26-05**

(52) **U.S. Cl.** ..... **D26/63**

(58) **Field of Classification Search** ..... D26/60-66,  
D26/72, 75, 76, 85, 87, 91, 92, 93, 67-71,  
D26/106, 107, 104, 51; 362/145, 153, 153.1,  
362/257, 264, 267-289, 294, 413, 414, 418,  
362/427, 430, 431, 183, 231, 373, 419, 410-412;  
40/559, 564, 565, 568, 569, 571-574, 578,  
40/582; D20/19

See application file for complete search history.

(56) **References Cited**

**U.S. PATENT DOCUMENTS**

4,167,783	A	9/1979	Mitchell	
4,220,981	A	9/1980	Koether	
4,392,187	A	7/1983	Bornhorst	
4,712,167	A	12/1987	Gordin et al.	
5,207,747	A	5/1993	Gordin et al.	
5,225,765	A	7/1993	Callahan et al.	
5,265,362	A *	11/1993	Yamaguchi	40/603
D378,143	S *	2/1997	Kollins	D26/67
6,737,809	B2	5/2004	Espiau et al.	
6,922,021	B2	7/2005	Espiau et al.	
7,348,732	B2	3/2008	Espiau et al.	
7,358,678	B2	4/2008	Espiau et al.	
7,362,054	B2	4/2008	Espiau et al.	
7,362,055	B2	4/2008	Espiau et al.	
7,362,056	B2	4/2008	Espiau et al.	
7,372,209	B2	5/2008	Espiau et al.	
7,391,158	B2	6/2008	Espiau et al.	
7,429,818	B2	9/2008	Chang et al.	

7,498,747	B2	3/2009	Espiau et al.	
7,518,315	B2	4/2009	Espiau et al.	
7,525,253	B2	4/2009	Espiau et al.	
7,638,951	B2	12/2009	DeVincentis et al.	
D607,593	S *	1/2010	Yoo	D26/71

(Continued)

**OTHER PUBLICATIONS**

Stray Light Optical Technologies, Photograph of Light Emitting Plasma Streetlight, Disclosed before Nov. 10, 2009, one page.

*Primary Examiner* — Susan M Lee

*Assistant Examiner* — Linda Brooks

(74) *Attorney, Agent, or Firm* — Baker & Daniels LLP

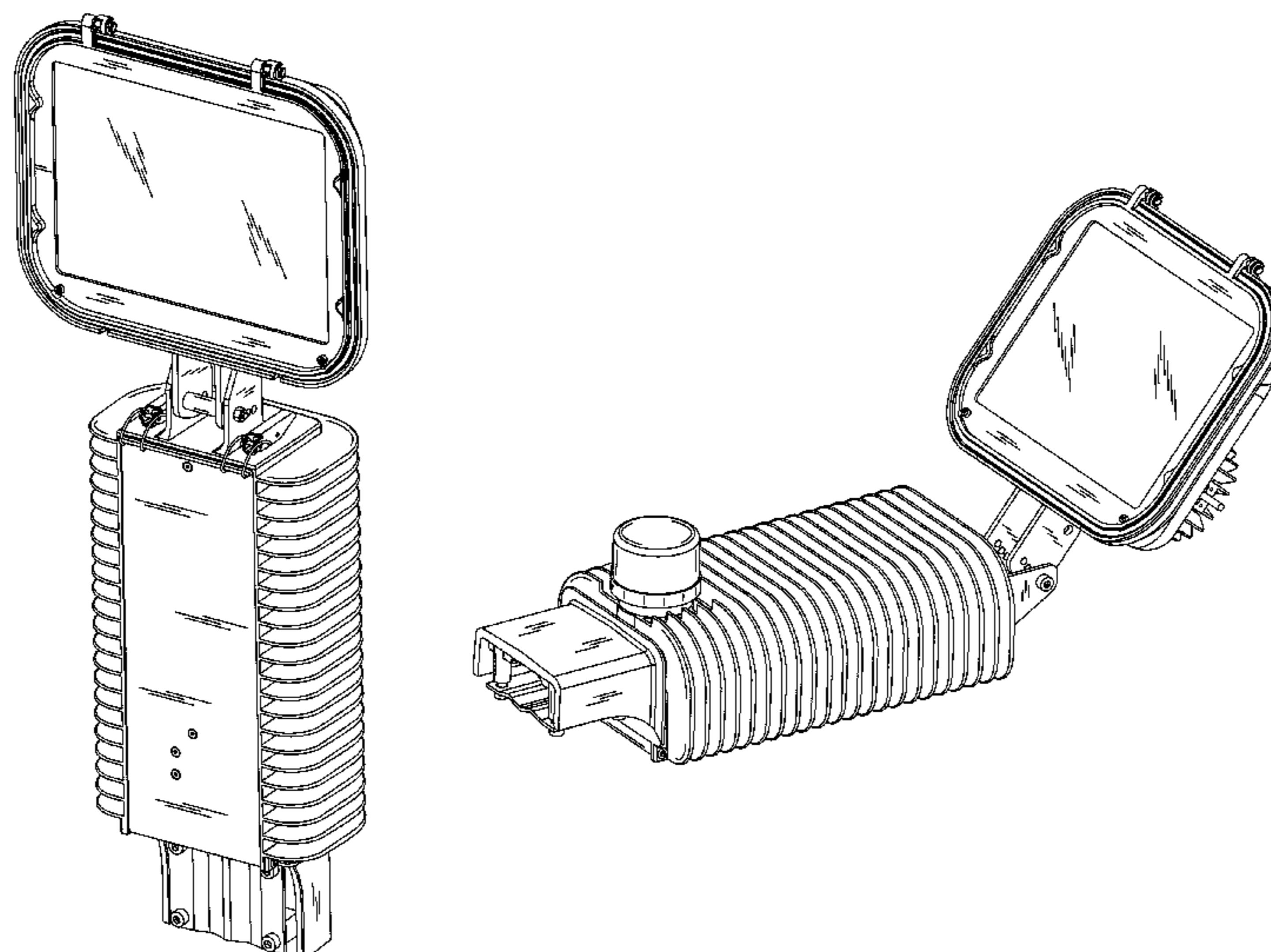
(57) **CLAIM**

We claim the ornamental design for the lighting apparatus, as shown and described.

**DESCRIPTION**

FIG. 1 is a bottom perspective view of a lighting apparatus of the present invention;  
 FIG. 2 is a top perspective view of a lighting apparatus of FIG. 1;  
 FIG. 3 shows a bottom view of the lighting apparatus of FIGS. 1 and 2;  
 FIG. 4 shows a top view of the lighting apparatus of FIGS. 1 and 2;  
 FIG. 5 shows a left side view of the lighting apparatus of FIGS. 1 and 2;  
 FIG. 6 shows a right side view of the lighting apparatus of FIGS. 1 and 2;  
 FIG. 7 shows a front view of the lighting apparatus of FIGS. 1 and 2;  
 FIG. 8 shows a rear view of the lighting apparatus of FIGS. 1 and 2; and,  
 FIG. 9 is a top perspective view of the lighting apparatus of FIGS. 1 and 2, with an orientation of the components being changed.

**1 Claim, 8 Drawing Sheets**



# US D644,776 S

Page 2

## U.S. PATENT DOCUMENTS

D610,286	S *	2/2010	Kimura .....	D26/71	2008/0203922	A1	8/2008	Guthrie et al.
7,701,143	B2	4/2010	DeVincentis		2008/0211971	A1	9/2008	Pradhan
7,719,195	B2	5/2010	DeVincentis et al.		2008/0258627	A1	10/2008	DeVincentis et al.
D619,748	S *	7/2010	Jong .....	D26/71	2009/0026911	A1	1/2009	Hafidi et al.
D619,749	S *	7/2010	Jong .....	D26/71	2009/0026975	A1	1/2009	Ralston et al.
7,791,278	B2	9/2010	DeVincentis et al.		2009/0146543	A1	6/2009	Chang et al.
7,791,280	B2	9/2010	DeVincentis et al.		2009/0167201	A1	7/2009	Duelli et al.
D627,093	S *	11/2010	Shiau et al. ....	D26/71	2009/0243488	A1	10/2009	Espiau et al.
D631,179	S *	1/2011	Kim et al. ....	D26/63	2009/0284166	A1	11/2009	DeVincentis et al.
D631,590	S *	1/2011	Areh .....	D26/71	2010/0097808	A1	4/2010	Jurik
D631,998	S *	2/2011	Little et al. ....	D26/71	2010/0102724	A1	4/2010	Gilliard et al.
D632,000	S *	2/2011	Little et al. ....	D26/71	2010/0123396	A1	5/2010	DeVincentis et al.
2005/0134188	A1	6/2005	Lindqvist		2010/0123407	A1	5/2010	Duelli
2006/0250090	A9	11/2006	Guthrie et al.		2010/0148669	A1	6/2010	DeVincentis et al.
2007/0211990	A1	9/2007	Espiau et al.		2010/0156301	A1	6/2010	Hollingsworth et al.
2007/0211991	A1	9/2007	Espiat et al.		2010/0156310	A1	6/2010	Hollingsworth et al.
2007/0217732	A1	9/2007	Chang et al.		2010/0165306	A1	7/2010	McGettigan et al.
2007/0236119	A1	10/2007	Espiau		2010/0171436	A1	7/2010	DeVincentis et al.
2007/0241688	A1	10/2007	DeVincentis et al.		2010/0253231	A1	10/2010	DeVincentis et al.
2008/0054813	A1	3/2008	Espiau et al.					

\* cited by examiner

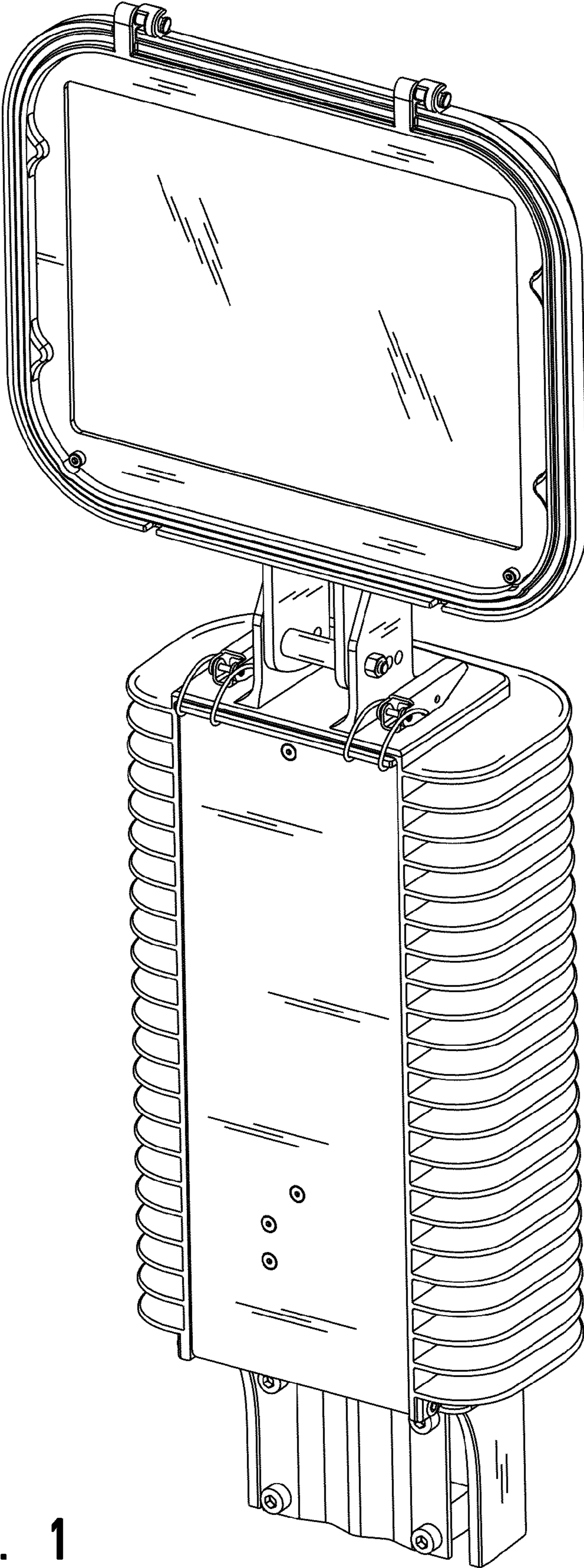


FIG. 1

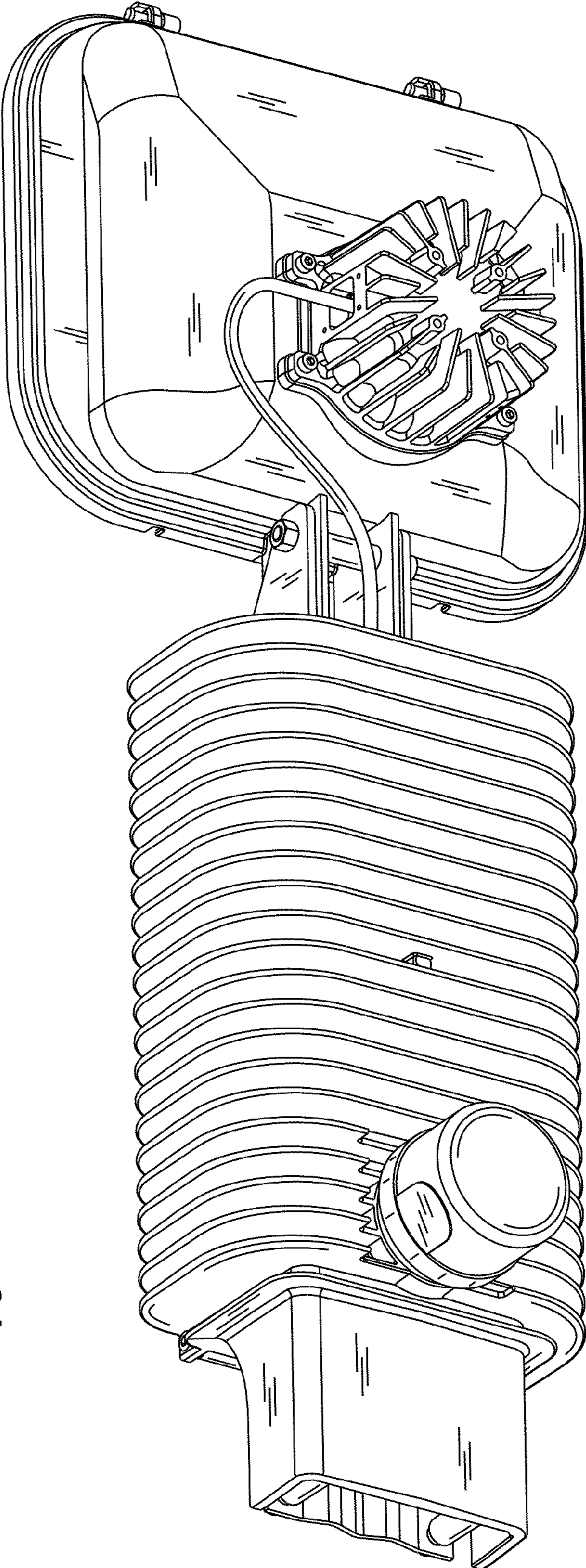


FIG. 2

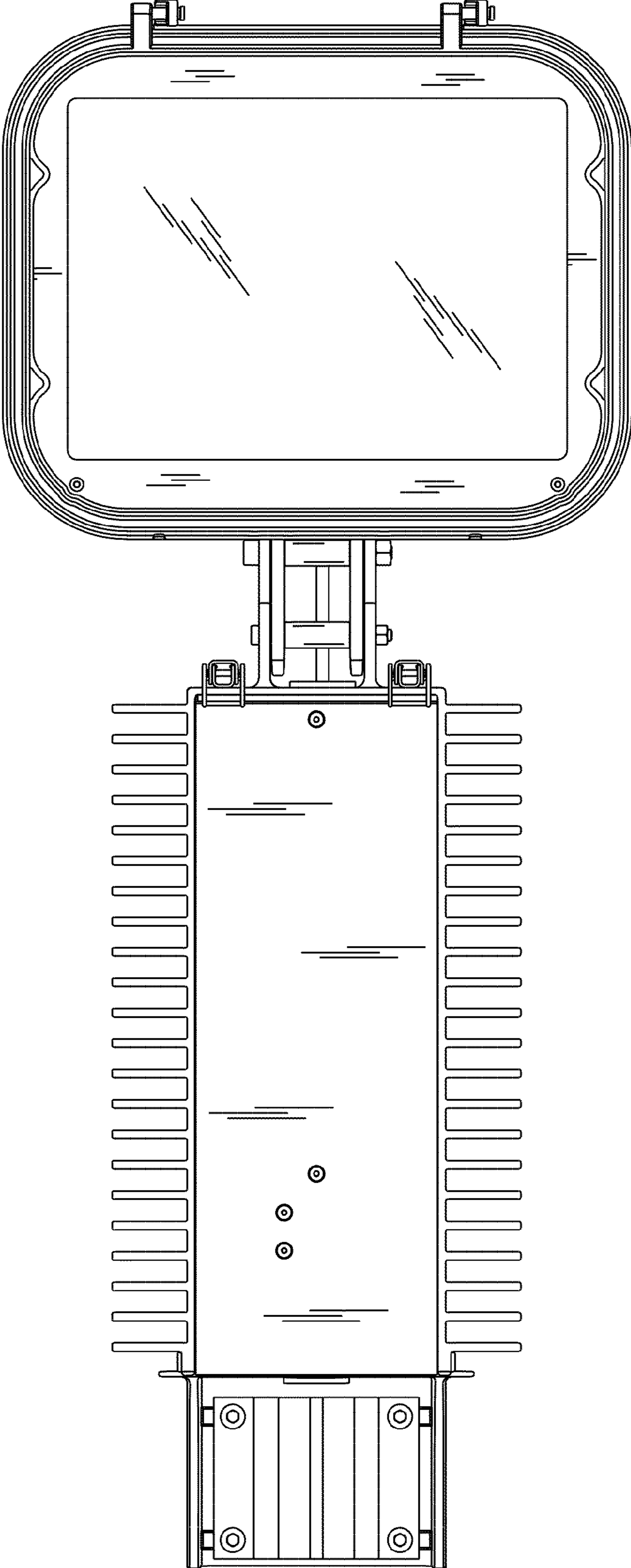


FIG. 3

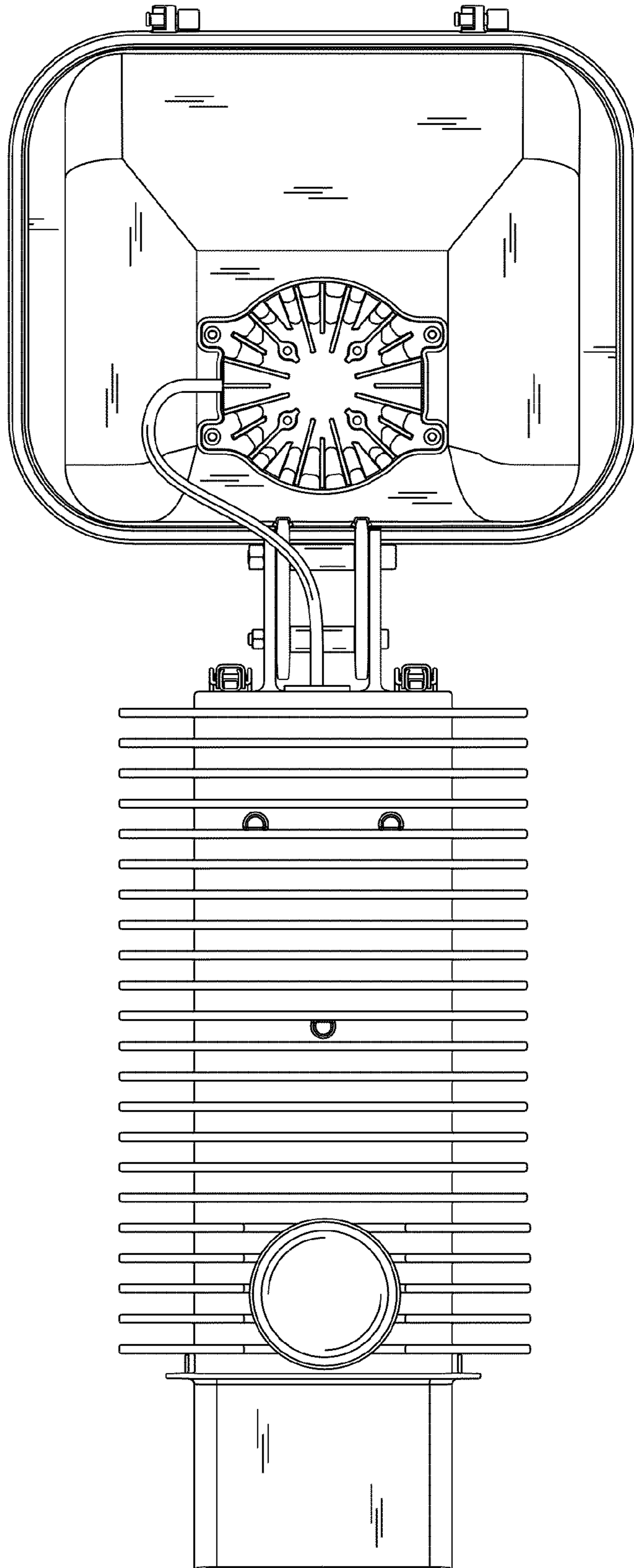


FIG. 4

FIG. 5

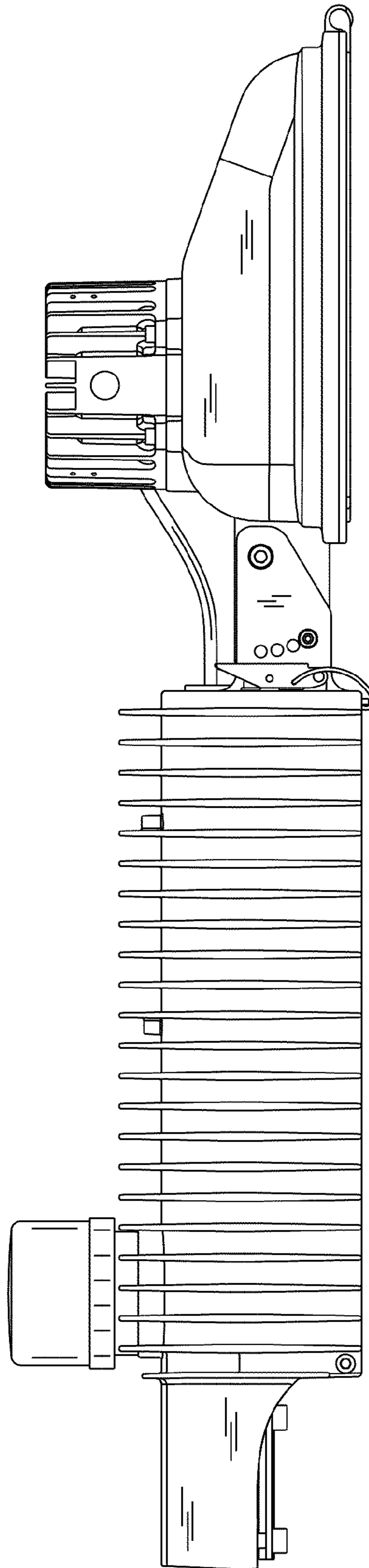
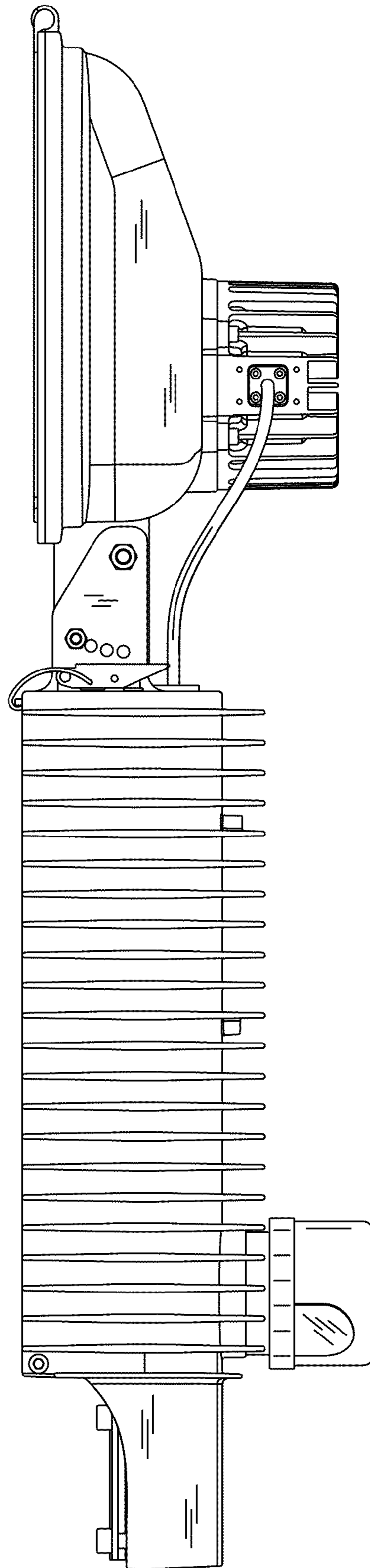


FIG. 6





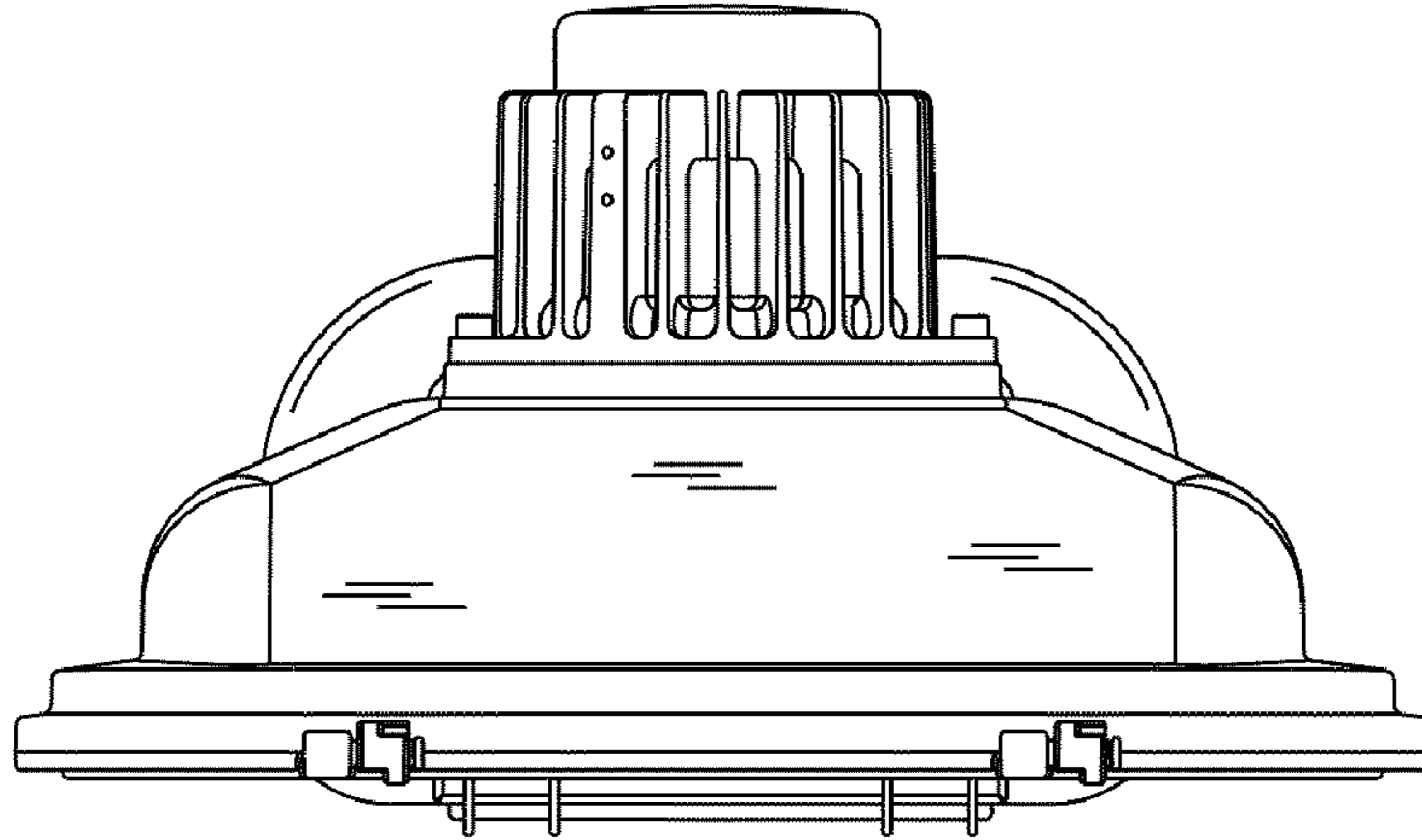


FIG. 7

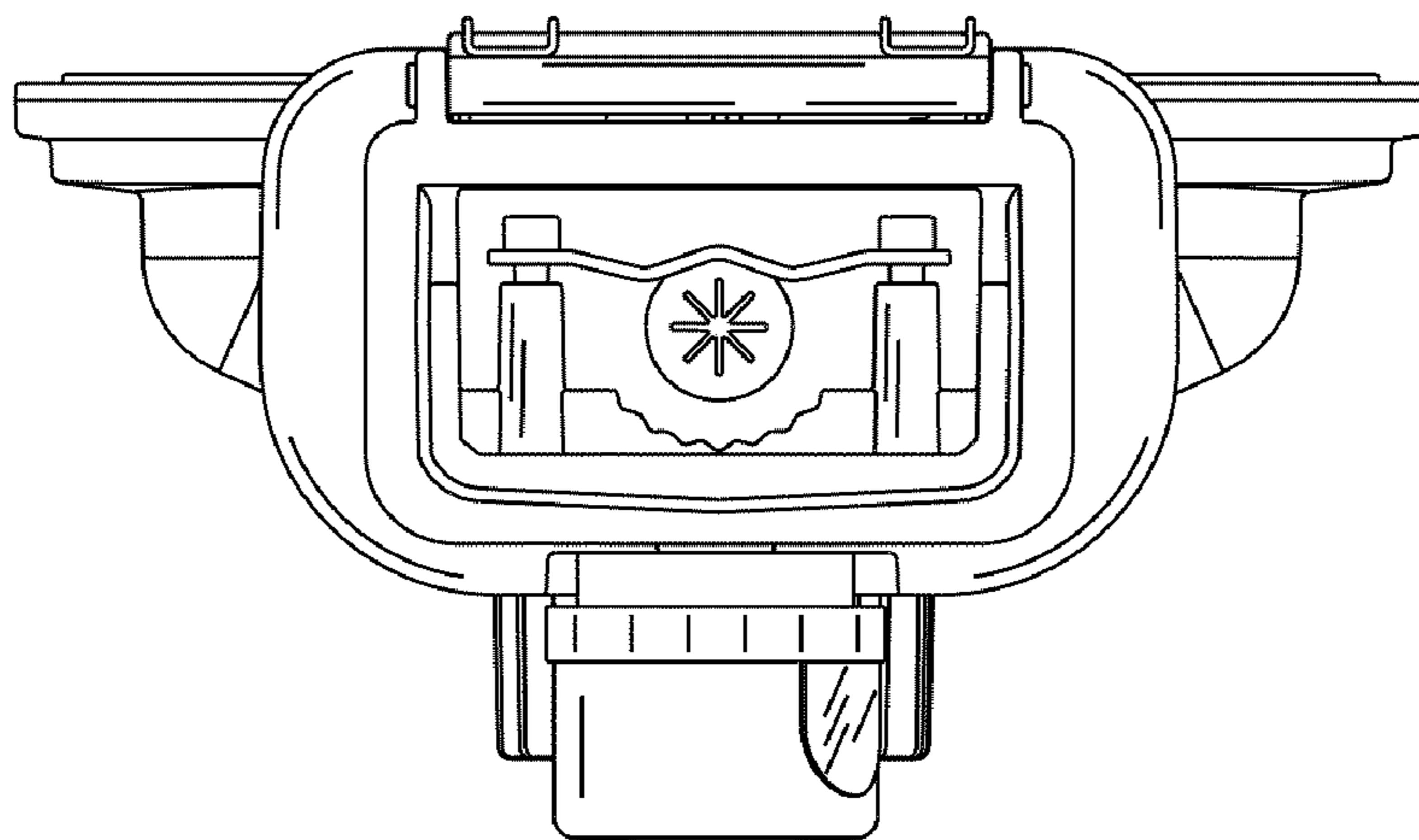


FIG. 8

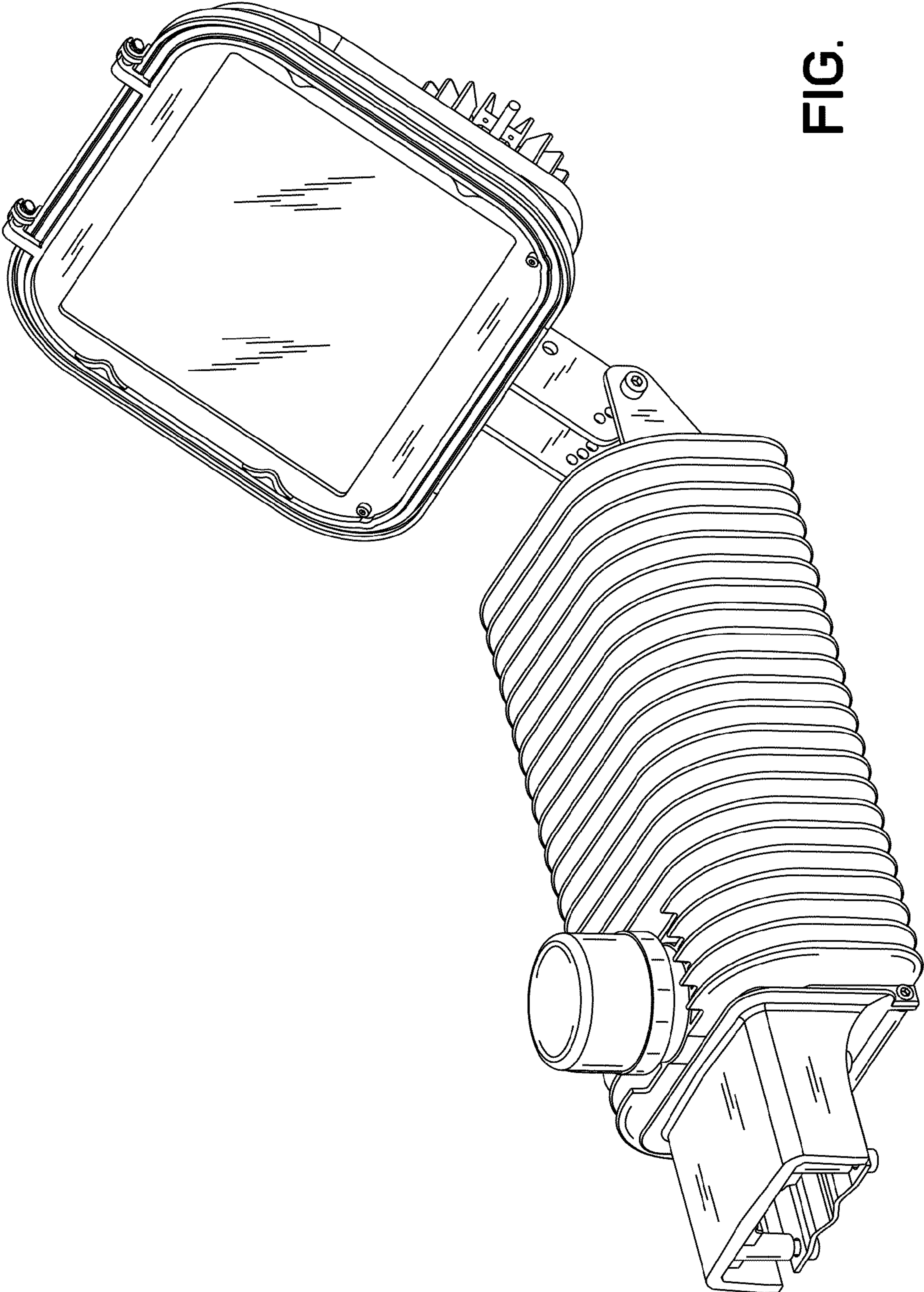


FIG. 9