



US00D644775S

(12) **United States Design Patent**  
**Nguyen et al.**

(10) **Patent No.:** **US D644,775 S**  
(45) **Date of Patent:** **\*\* Sep. 6, 2011**

(54) **LIGHTING DEVICE**

(75) Inventors: **Loc Nguyen**, Santa Ana, CA (US);  
**Douglas J. Port**, Huntington Beach, CA  
(US)

(73) Assignee: **SureFire, LLC**, Fountain Valley, CA  
(US)

(\*\*) Term: **14 Years**

(21) Appl. No.: **29/376,046**

(22) Filed: **Sep. 30, 2010**

(51) **LOC (9) Cl.** ..... **26-02**

(52) **U.S. Cl.** ..... **D26/49**

(58) **Field of Classification Search** ..... D26/37,  
D26/46, 49, 38; 362/157, 158, 183, 184,  
362/194-196, 202-208

See application file for complete search history.

(56) **References Cited**

U.S. PATENT DOCUMENTS

D433,171	S *	10/2000	Petterson et al.	.....	D26/49
7,278,764	B2 *	10/2007	Kim	.....	362/382
D566,314	S *	4/2008	Jen	.....	D26/49
D579,135	S *	10/2008	Shiu	.....	D26/49
D586,489	S *	2/2009	Shiu	.....	D26/49
D598,151	S *	8/2009	McGraw	.....	D26/49
D599,928	S *	9/2009	Shiu	.....	D26/49
7,604,371	B2 *	10/2009	Bushee et al.	.....	362/206
7,686,472	B1 *	3/2010	Huang	.....	362/202
D621,538	S *	8/2010	Bushee	.....	D26/49

D630,783	S *	1/2011	Baker et al.	.....	D26/49
2008/0291666	A1 *	11/2008	Bushee et al.	.....	362/206
2009/0295310	A1 *	12/2009	Duerr et al.	.....	315/297
2010/0315805	A1 *	12/2010	Dongpan	.....	362/157

OTHER PUBLICATIONS

U.S. Appl. No. 29/376,044, filing date: Sep. 30, 2010, inventors: Loc Nguyen and Douglas J. Port.

\* cited by examiner

*Primary Examiner* — Ian Simmons

*Assistant Examiner* — Carissa C Fitts

(74) *Attorney, Agent, or Firm* — Haynes and Boone, LLP

(57) **CLAIM**

The ornamental design for a lighting device, as shown and described.

**DESCRIPTION**

FIG. 1 is a front perspective view of a lighting device showing our new design;

FIG. 2 is a rear perspective view thereof;

FIG. 3 is a top plan view thereof.

FIG. 4 is a bottom plan view thereof;

FIG. 5 is a right side elevational view thereof;

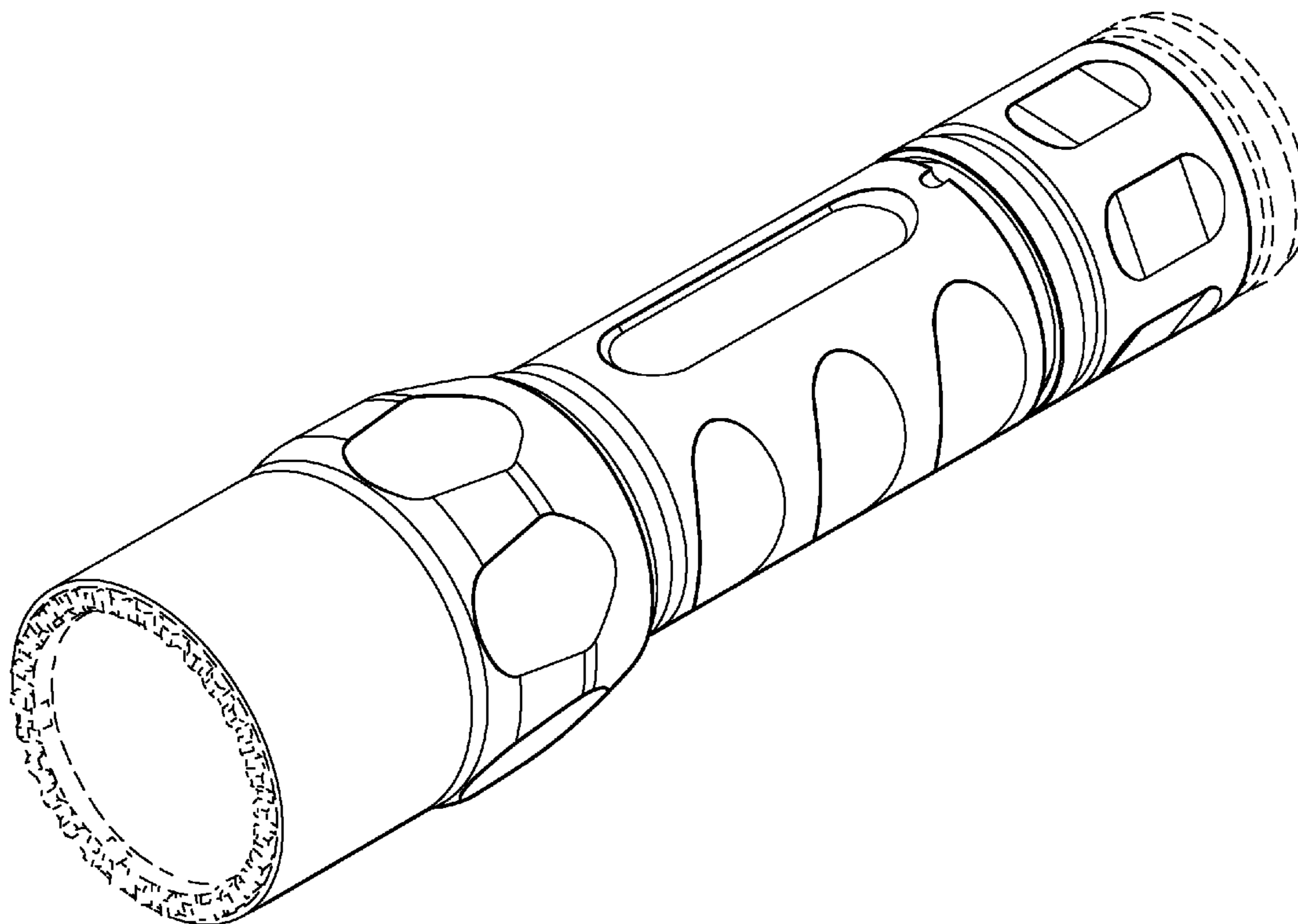
FIG. 6 is a left side elevational view thereof;

FIG. 7 is a front side elevational view thereof; and,

FIG. 8 is a rear side elevational view thereof.

The dashed lines in FIGS. 1-8 are shown for illustrative purposes and form no part of the claimed design.

**1 Claim, 7 Drawing Sheets**



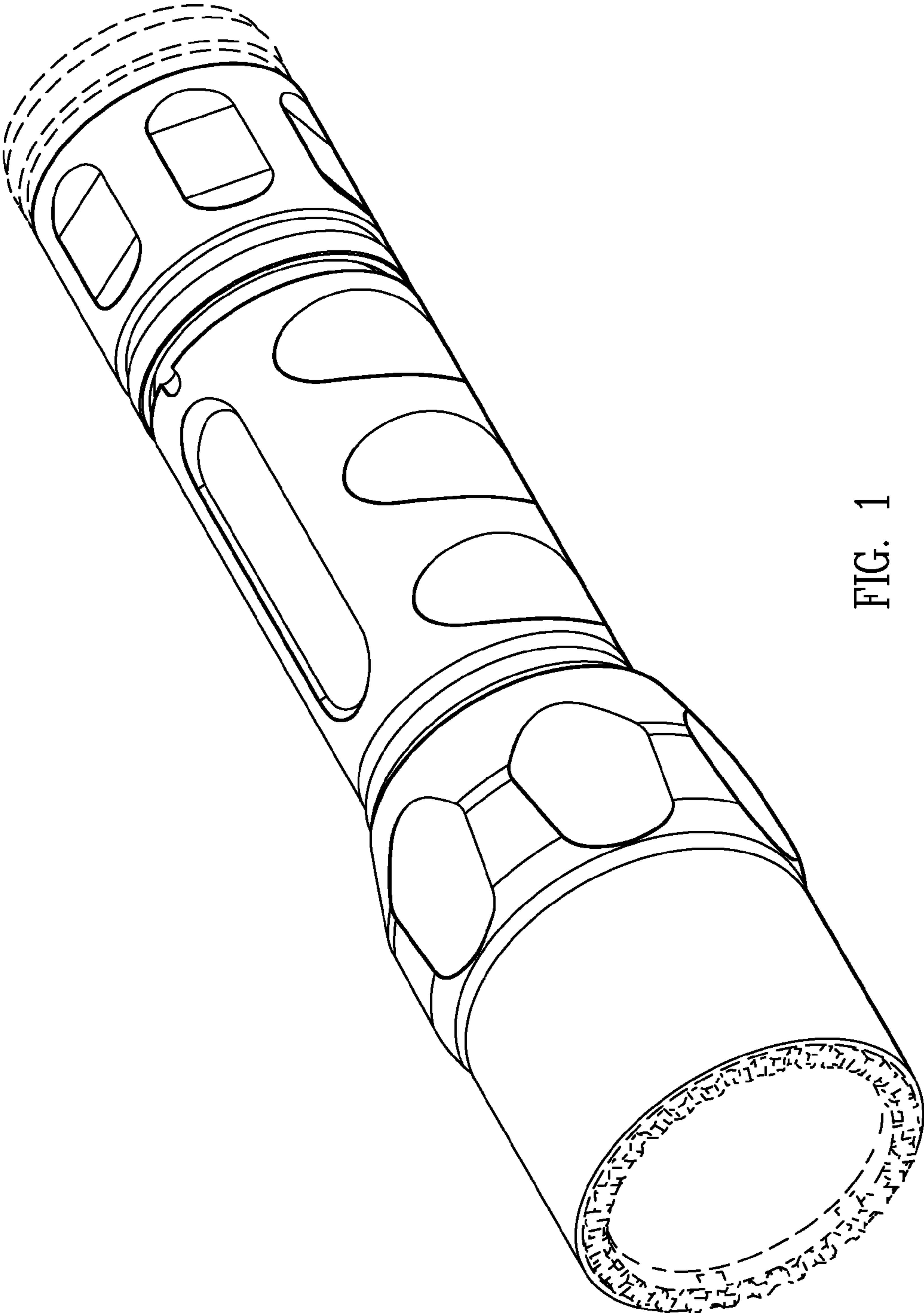


FIG. 1

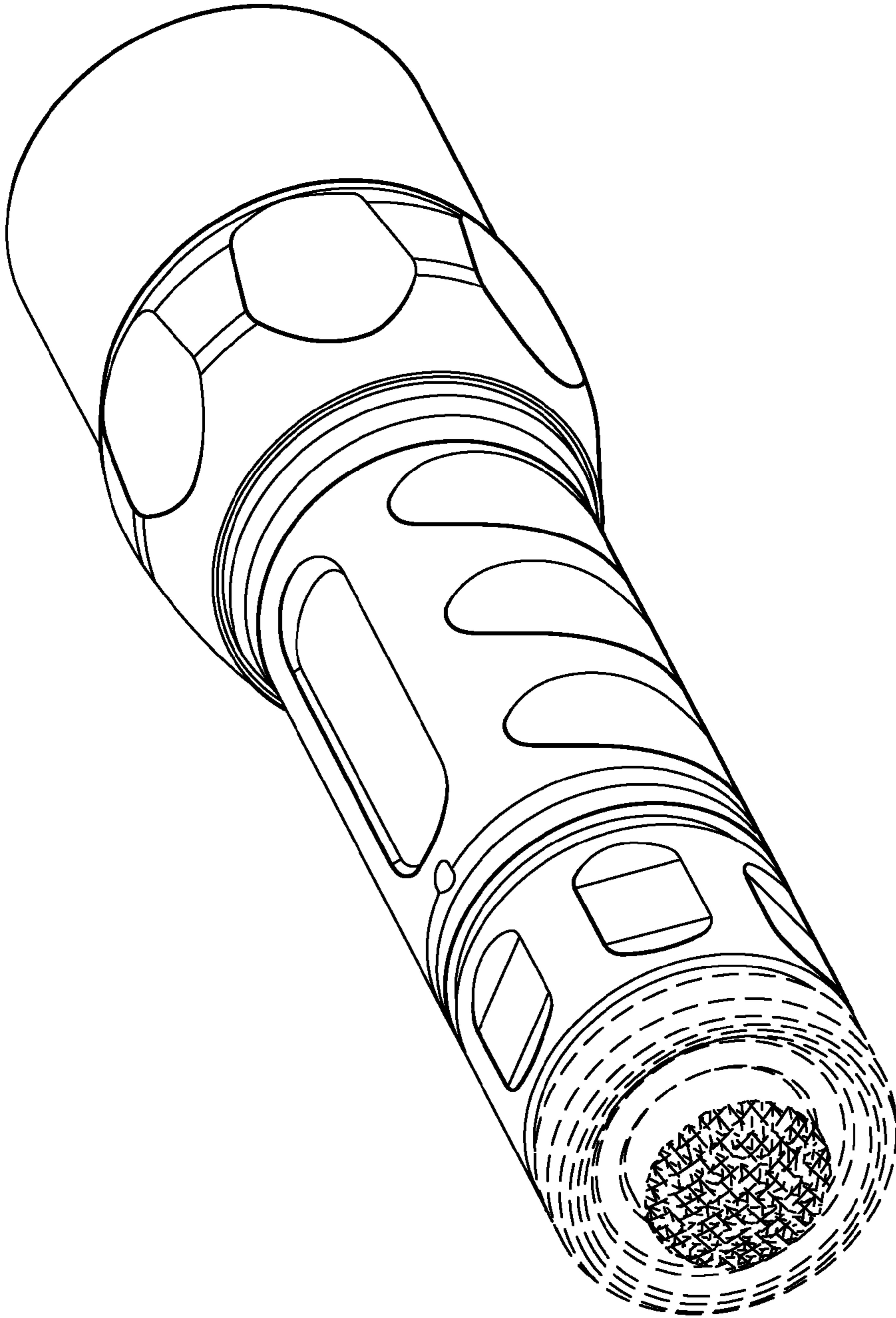


FIG. 2

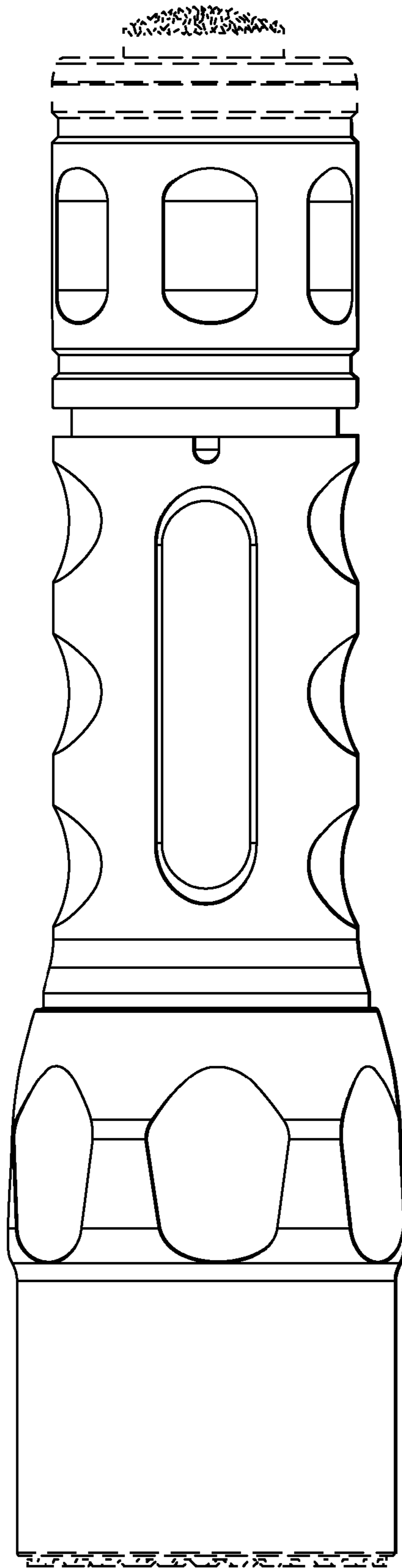


FIG. 3

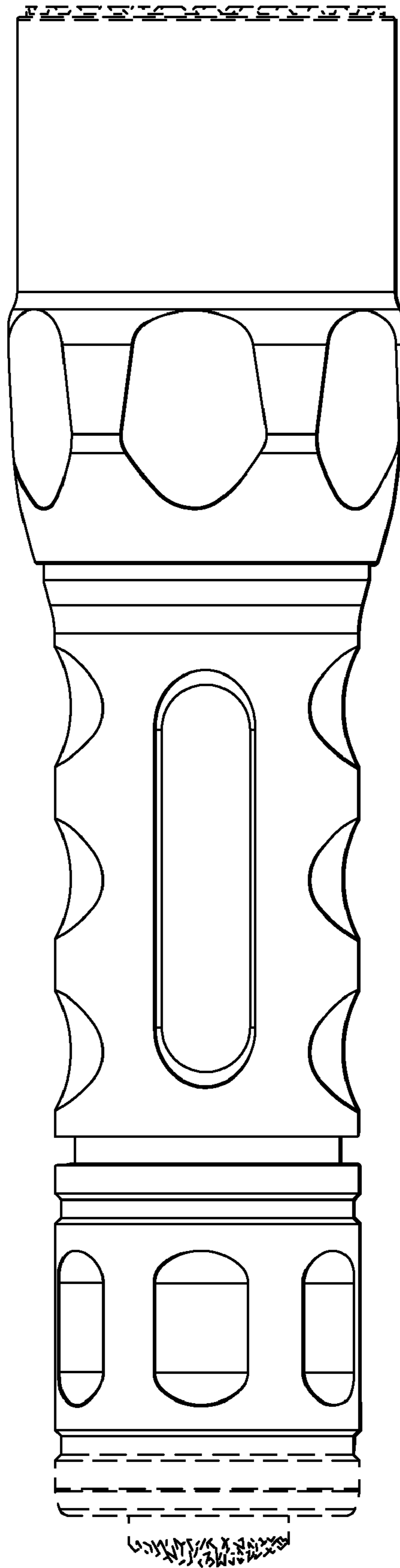


FIG. 4

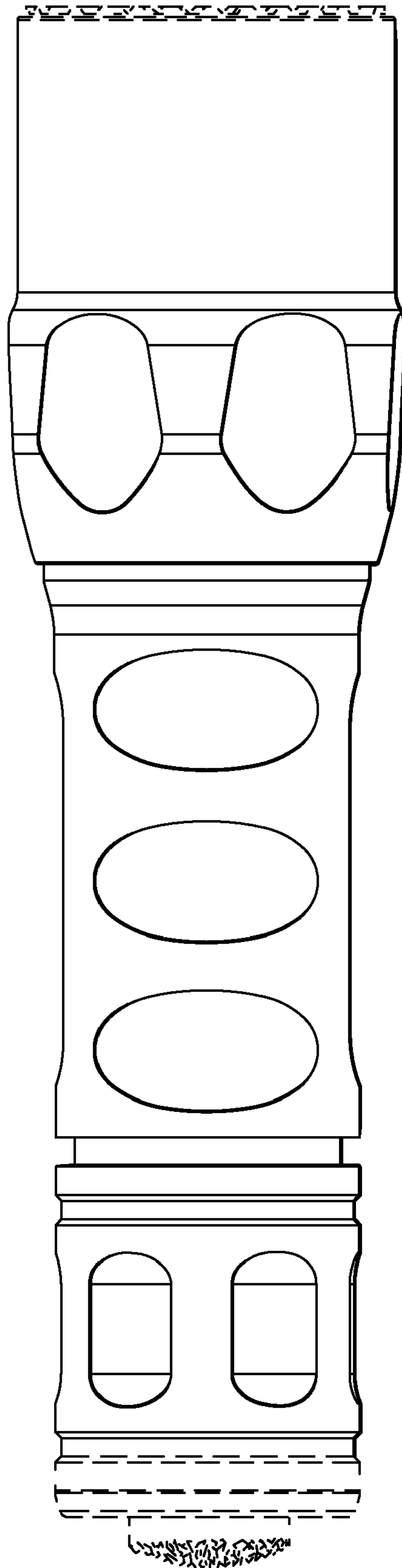


FIG. 5



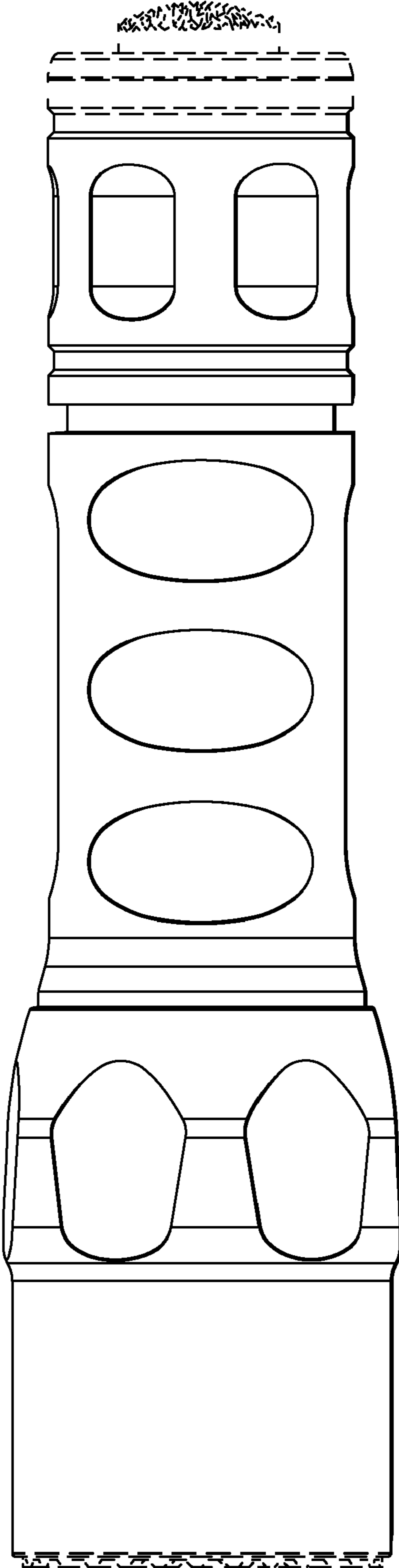


FIG. 6

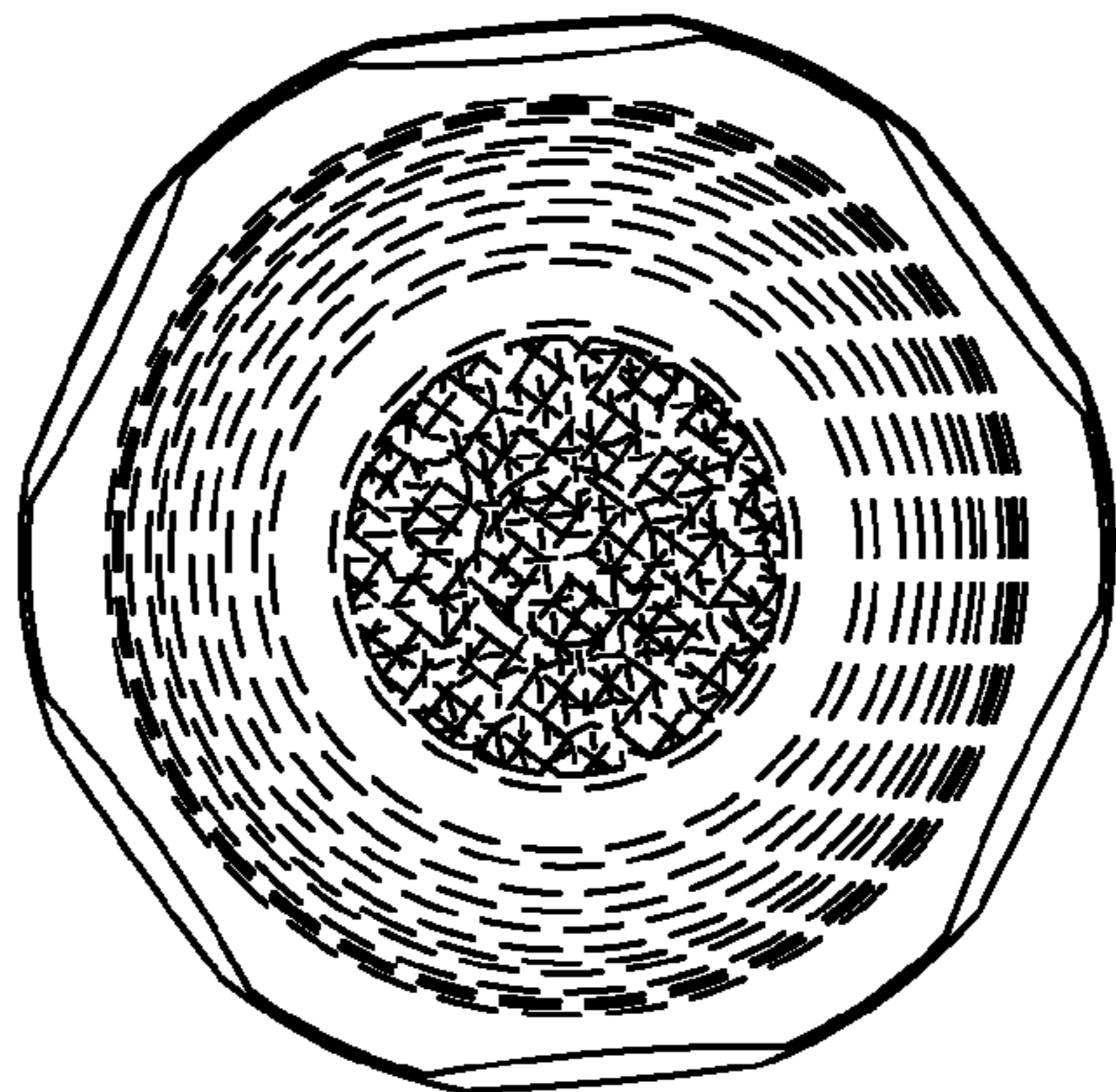


FIG. 8

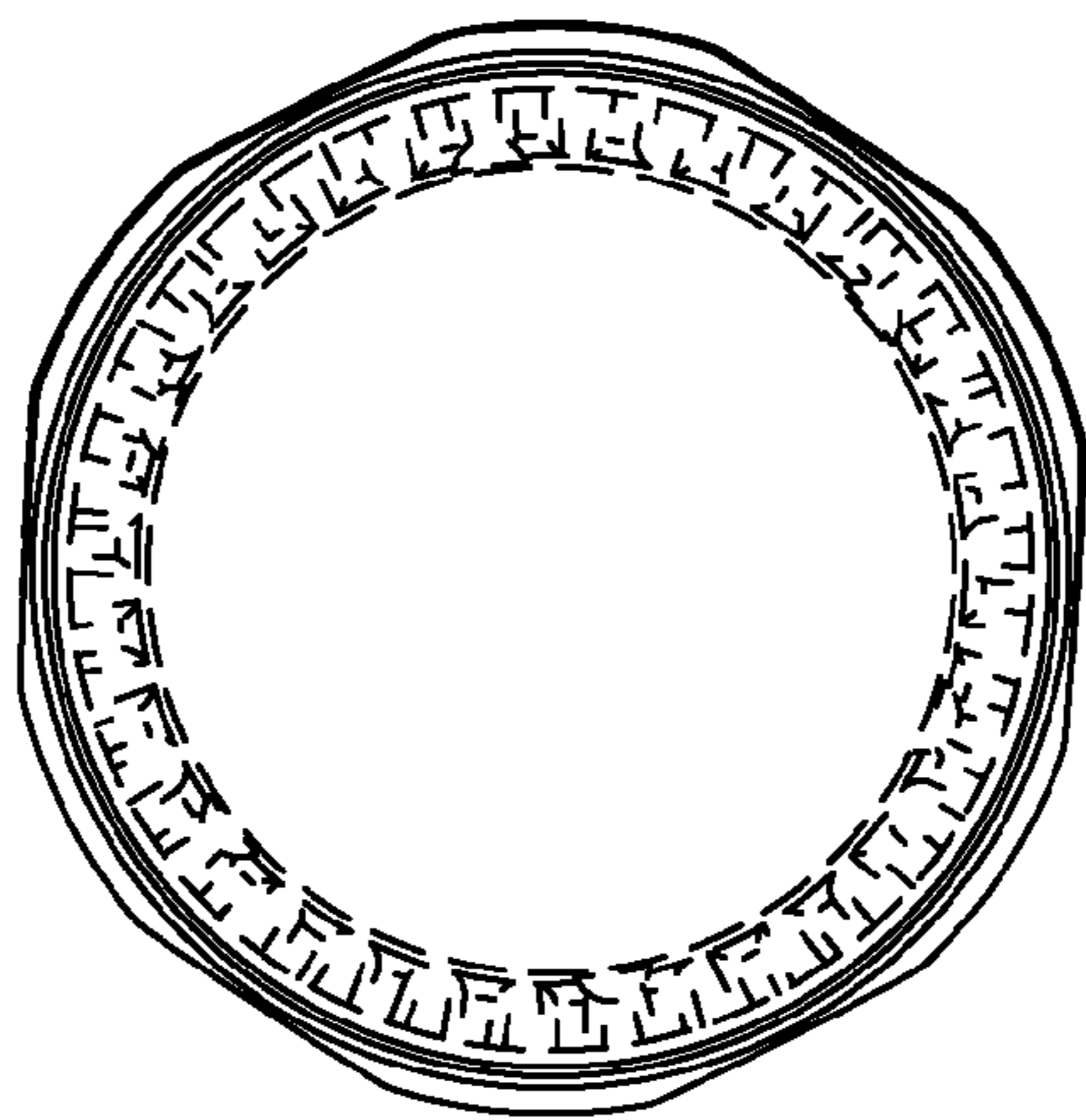


FIG. 7