



US00D644774S

(12) **United States Design Patent**
Keeven

(10) **Patent No.:** **US D644,774 S**

(45) **Date of Patent:** **** Sep. 6, 2011**

(54) **HEADLAMP**

(76) Inventor: **Jeffrey Keeven**, St. Louis County, MO
(US)

(**) Term: **14 Years**

(21) Appl. No.: **29/380,700**

(22) Filed: **Dec. 9, 2010**

Related U.S. Application Data

(62) Division of application No. 29/266,541, filed on Sep. 22, 2006, now Pat. No. Des. 634,869.

(51) **LOC (9) Cl.** **26-06**

(52) **U.S. Cl.** **D26/32**

(58) **Field of Classification Search** D26/28-36;
362/459-468, 475-478, 485-487

See application file for complete search history.

(56) **References Cited**

U.S. PATENT DOCUMENTS

D490,172 S *	5/2004	Yamamoto	D26/28
D503,004 S *	3/2005	Jiao et al.	D26/28
D511,583 S *	11/2005	Tanaka et al.	D26/28
D521,163 S *	5/2006	Song	D26/28

D532,130 S *	11/2006	Yeh	D26/28
D564,683 S *	3/2008	Roach et al.	D26/28
D570,009 S *	5/2008	Kani et al.	D26/28
D581,069 S *	11/2008	Vanderhoek	D26/28
D617,017 S *	6/2010	Grebert et al.	D26/28
D634,869 S *	3/2011	Keeven	D26/32

* cited by examiner

Primary Examiner — Marcus Jackson

(74) *Attorney, Agent, or Firm* — Polster Lieder Woodruff & Lucchesi, LC

(57) **CLAIM**

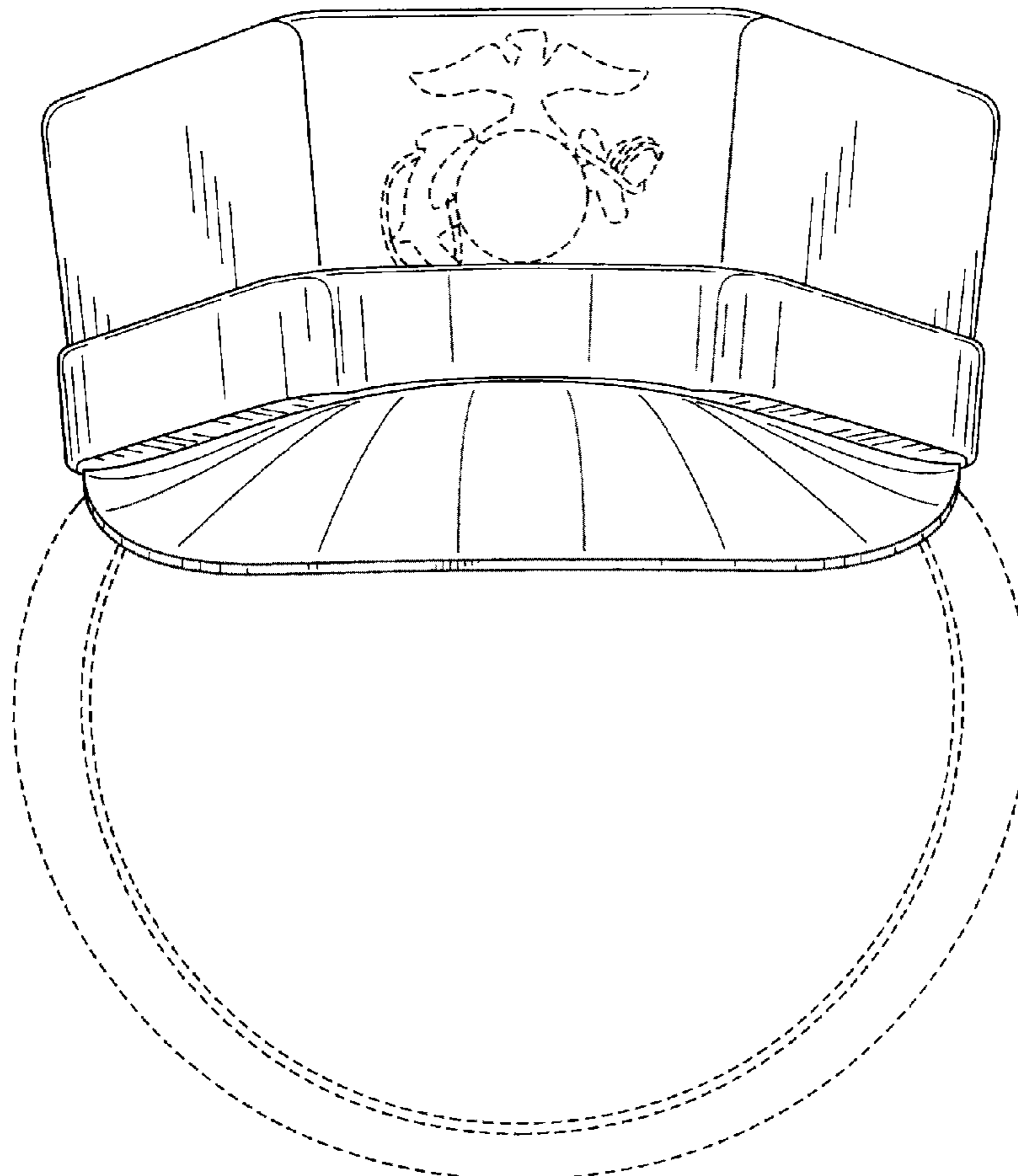
The ornamental design for headlamp, as shown and described.

DESCRIPTION

FIG. 1 is a front elevational of the headlamp;
FIG. 2 is a perspective view thereof;
FIG. 3 is a left side elevational view thereof;
FIG. 4 is a right side elevational view thereof;
FIG. 5 is a back view thereof;
FIG. 6 is a top plan view thereof; and,
FIG. 7 is a bottom view thereof.

The broken lines are included for the purpose of illustrating environment and form no part of the claimed design.

1 Claim, 7 Drawing Sheets



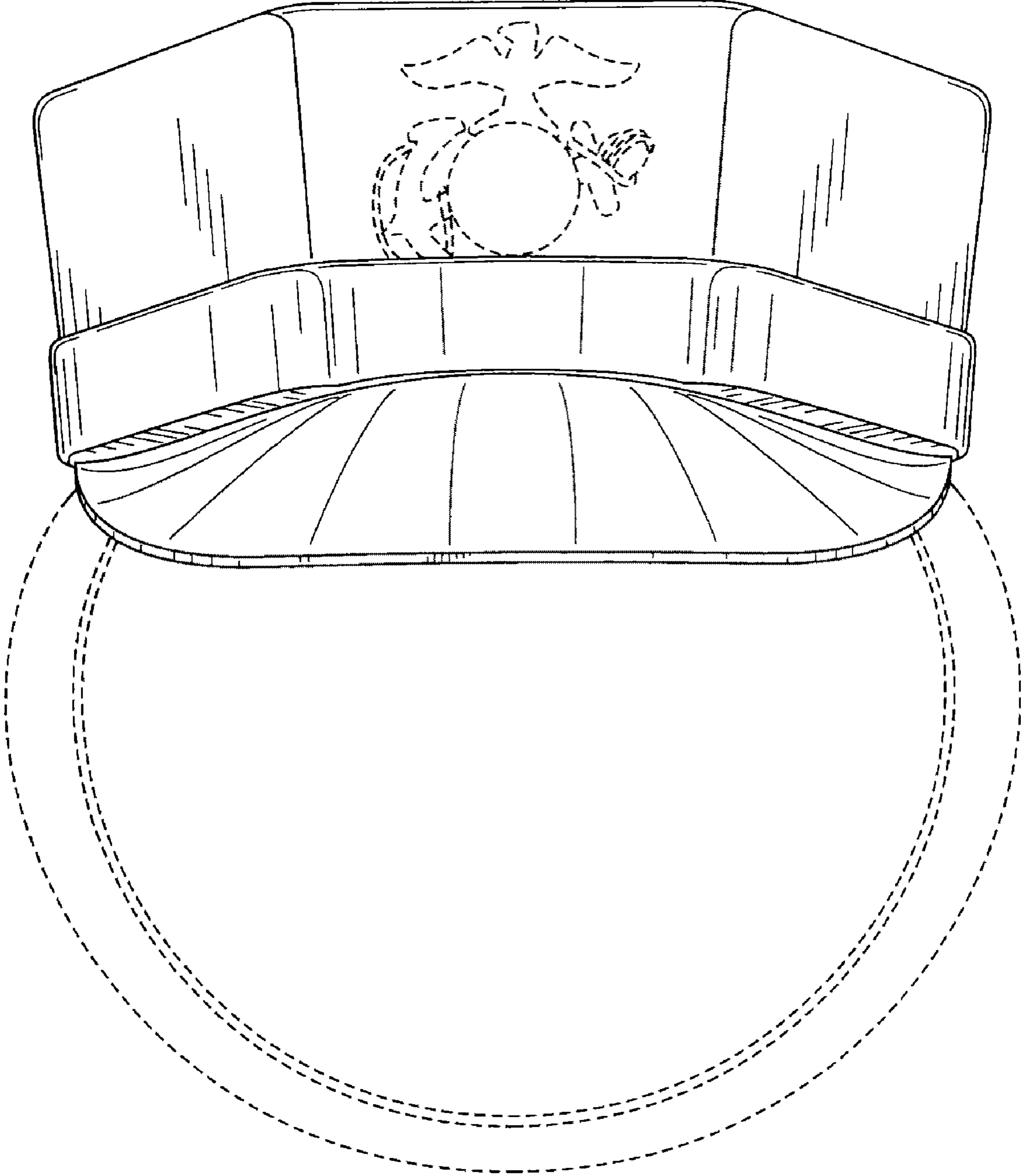


FIG. 1

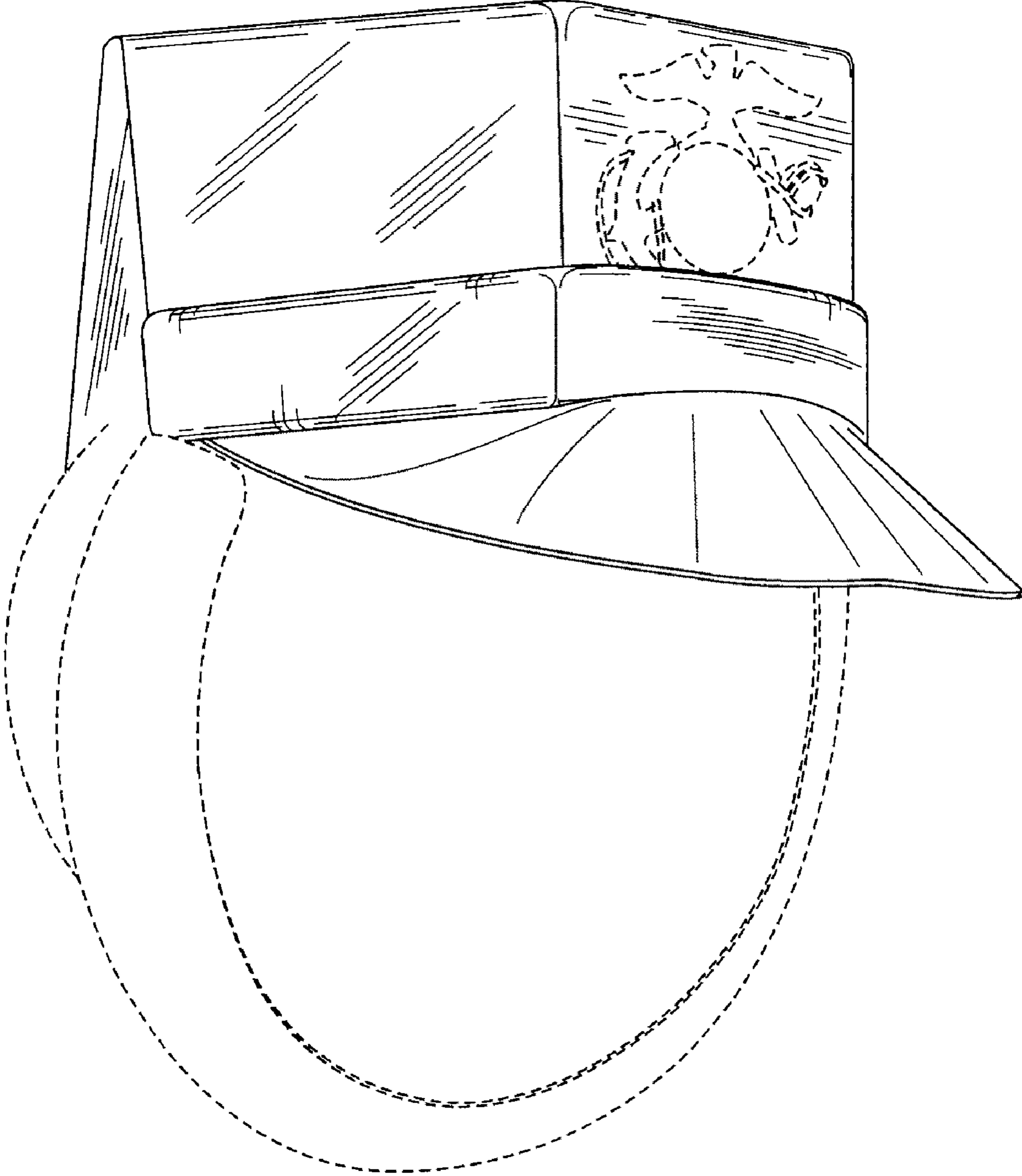


FIG. 2

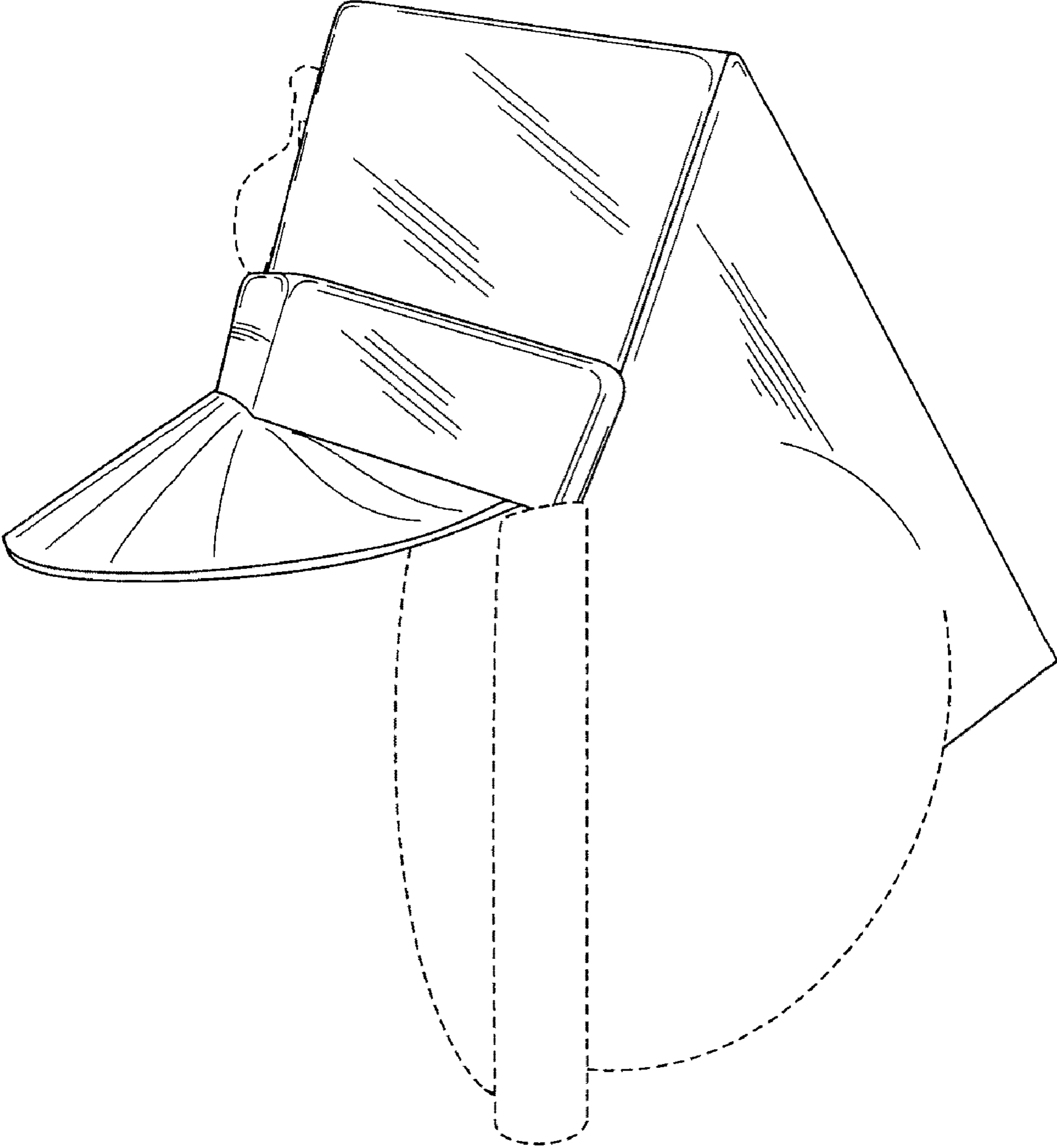


FIG. 3

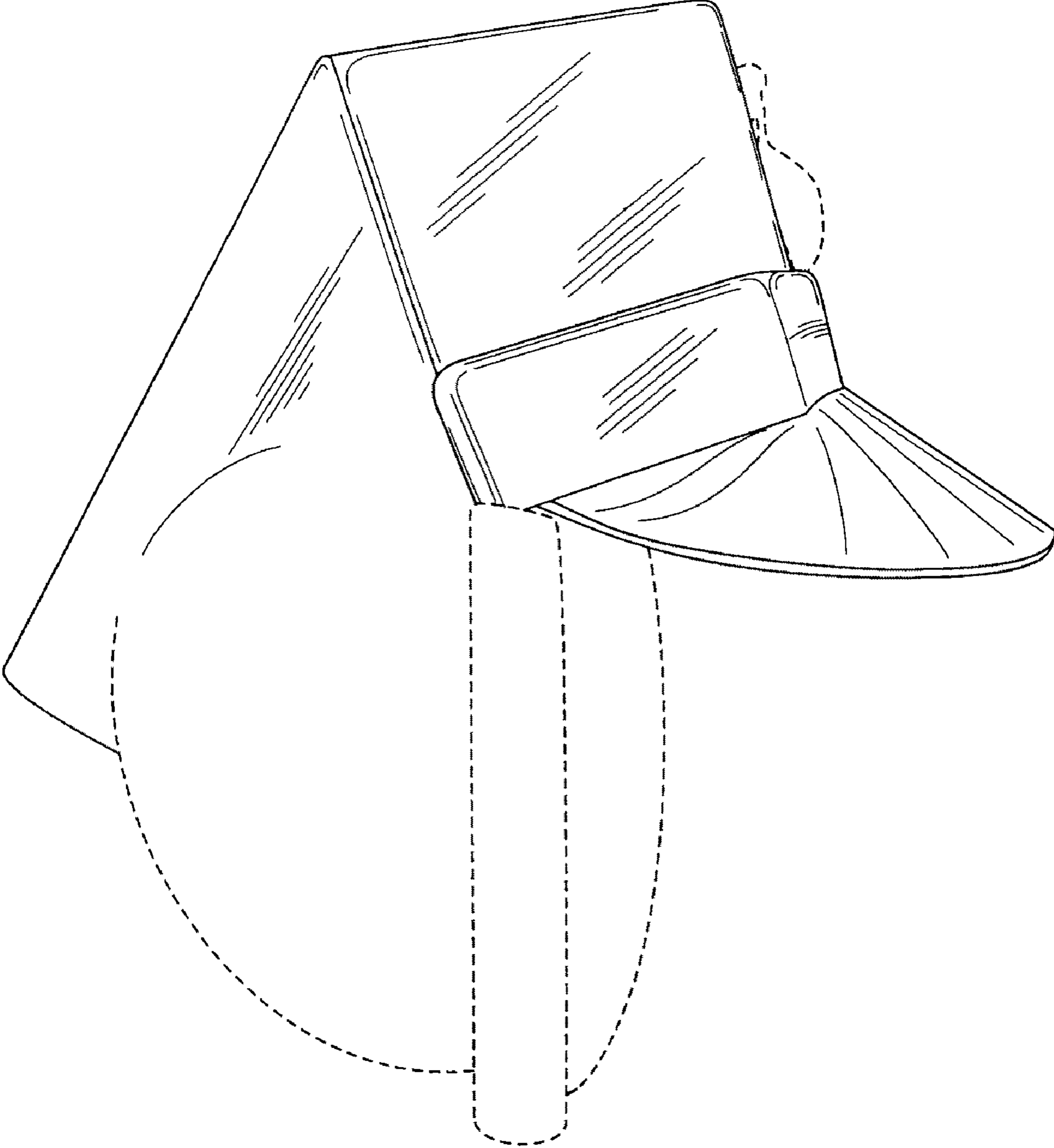


FIG. 4

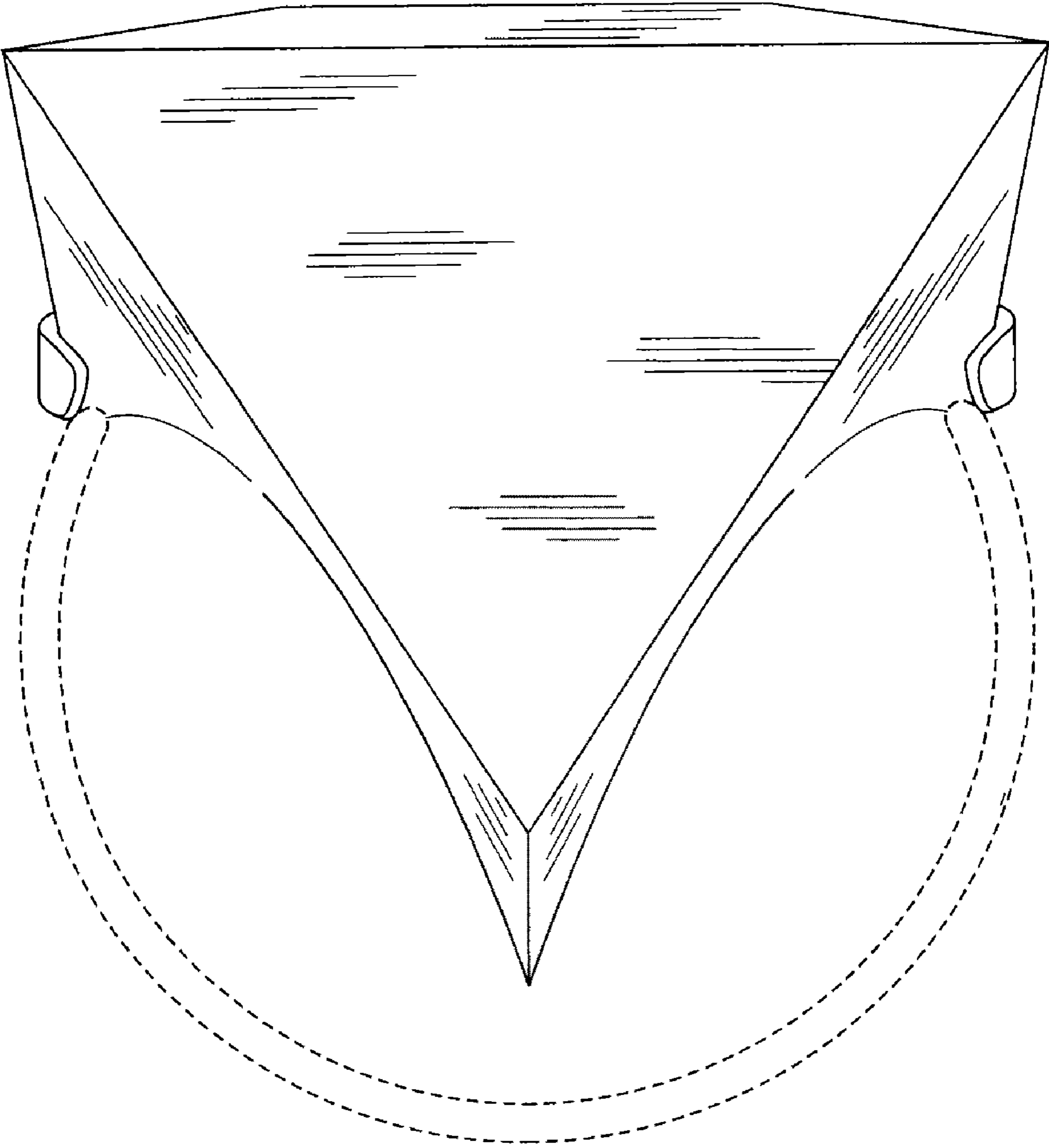


FIG. 5

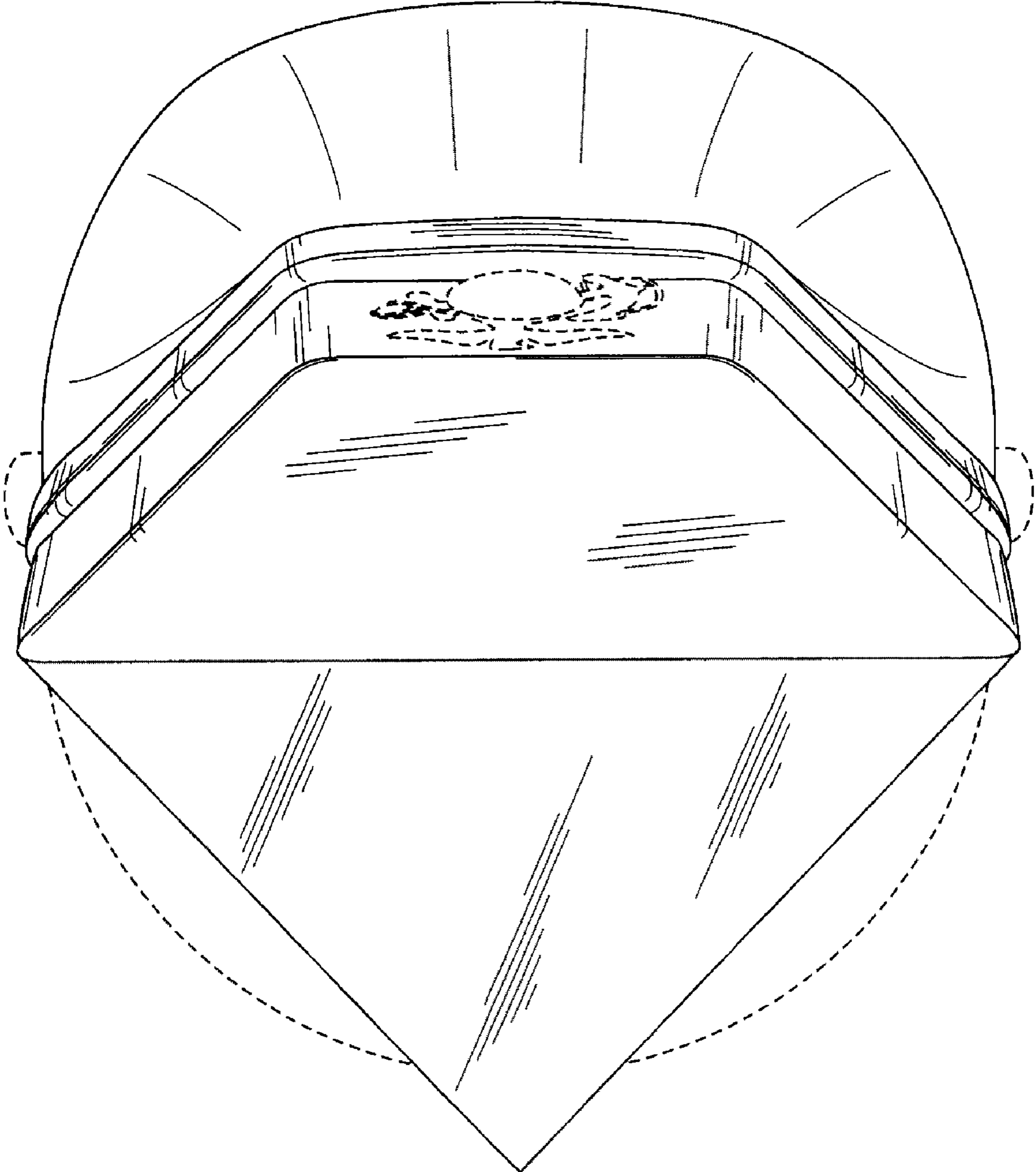


FIG. 6

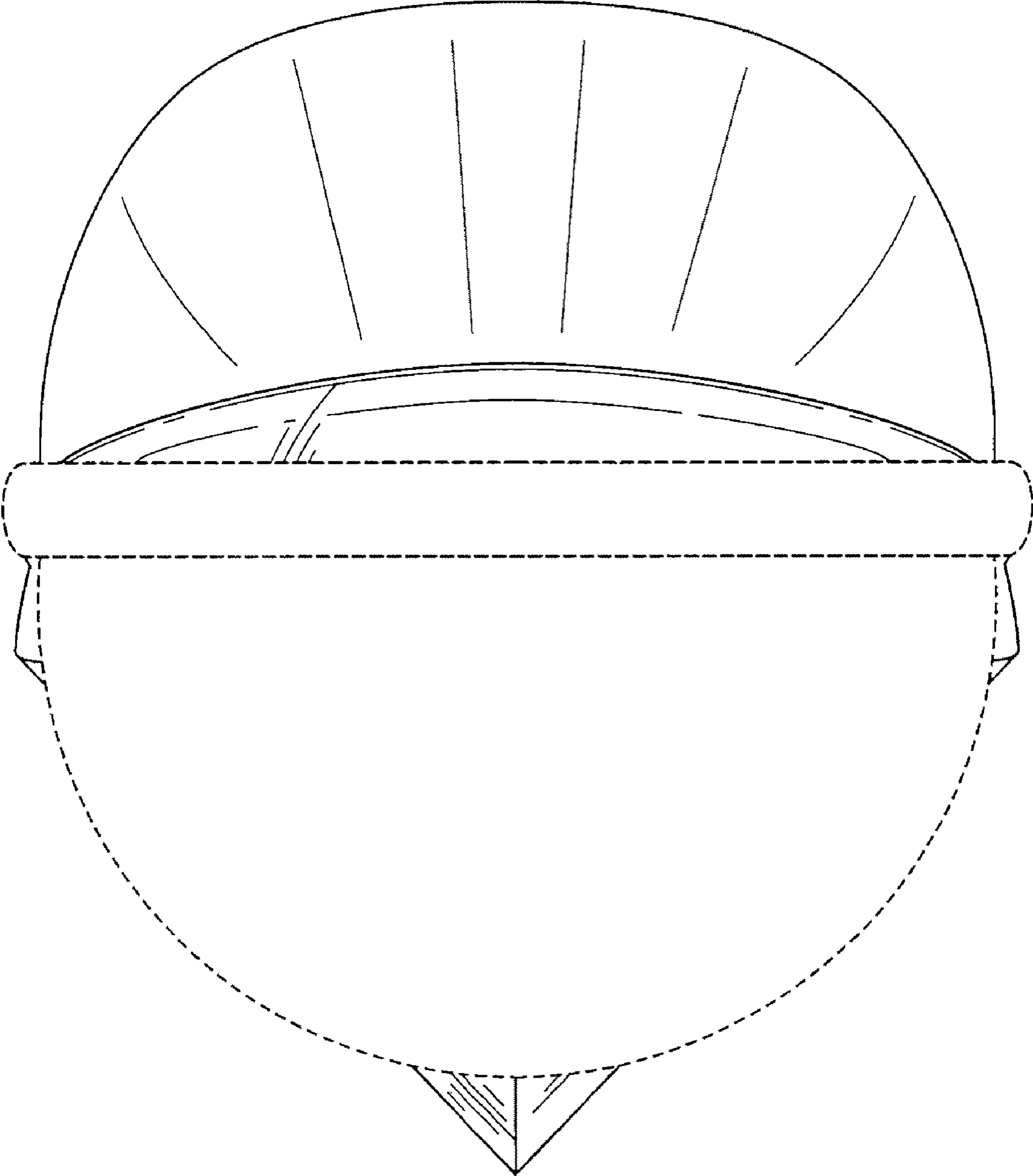


FIG. 7