



US00D644773S

(12) **United States Design Patent**
Karras et al.

(10) **Patent No.:** **US D644,773 S**

(45) **Date of Patent:** **** Sep. 6, 2011**

(54) **VEHICLE TAIL LAMP**

(75) Inventors: **Panayiotis J. Karras**, Ferndale, MI
(US); **Hoon S Kim**, Rochester Hills, MI
(US); **Robert Hunwick**, Dearborn, MI
(US)

(73) Assignee: **GM Global Technology Operations LLC**, Detroit, MI (US)

(**) Term: **14 Years**

(21) Appl. No.: **29/382,017**

(22) Filed: **Dec. 28, 2010**

(51) **LOC (9) Cl.** **26-06**

(52) **U.S. Cl.** **D26/28**

(58) **Field of Classification Search** D26/28-36;
362/459-468, 475-478, 485-487

See application file for complete search history.

(56) **References Cited**

U.S. PATENT DOCUMENTS

D549,363 S * 8/2007 Pfeiffer D26/28
D552,769 S * 10/2007 Leclercq D26/28

D553,268 S * 10/2007 Pfeiffer D26/28
D560,292 S * 1/2008 Sato D26/28
D561,357 S * 2/2008 Leclercq D26/28
D570,015 S * 5/2008 Hsu D26/28
D605,793 S * 12/2009 Weil D26/28

* cited by examiner

Primary Examiner — Marcus Jackson

(74) *Attorney, Agent, or Firm* — Parks IP Law LLC; Mickki D. Murray

(57) **CLAIM**

The ornamental design for a vehicle tail lamp, as shown and described.

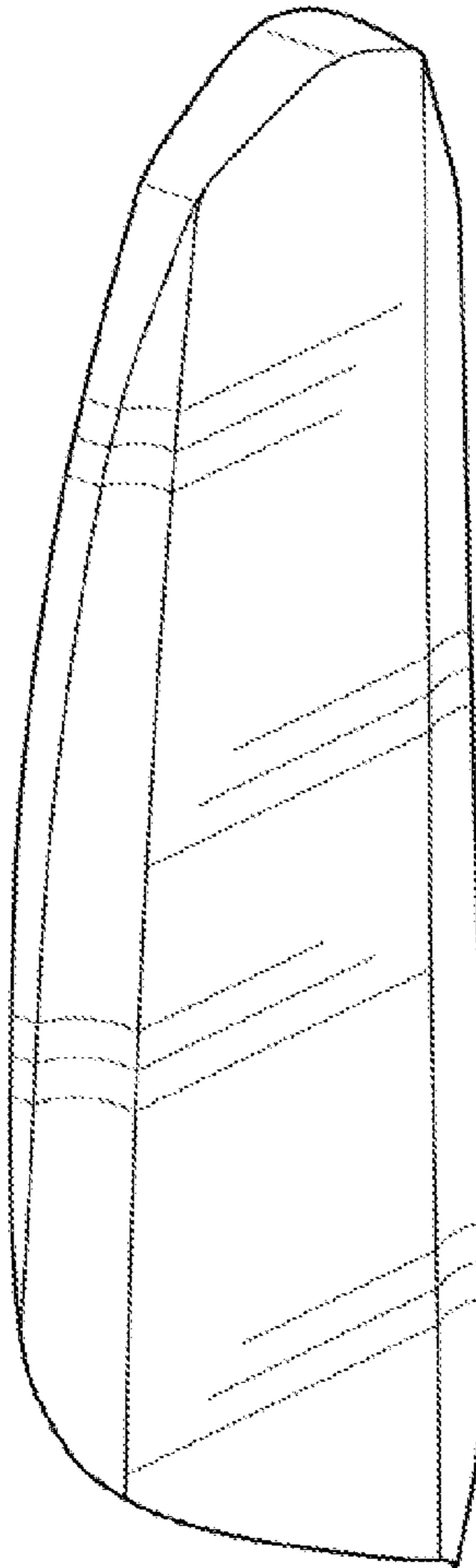
DESCRIPTION

FIG. 1 is a rear view of a vehicle tail lamp showing the new design;

FIG. 2 is a perspective view, thereof; and,

FIG. 3 is a plan view, thereof.

1 Claim, 1 Drawing Sheet



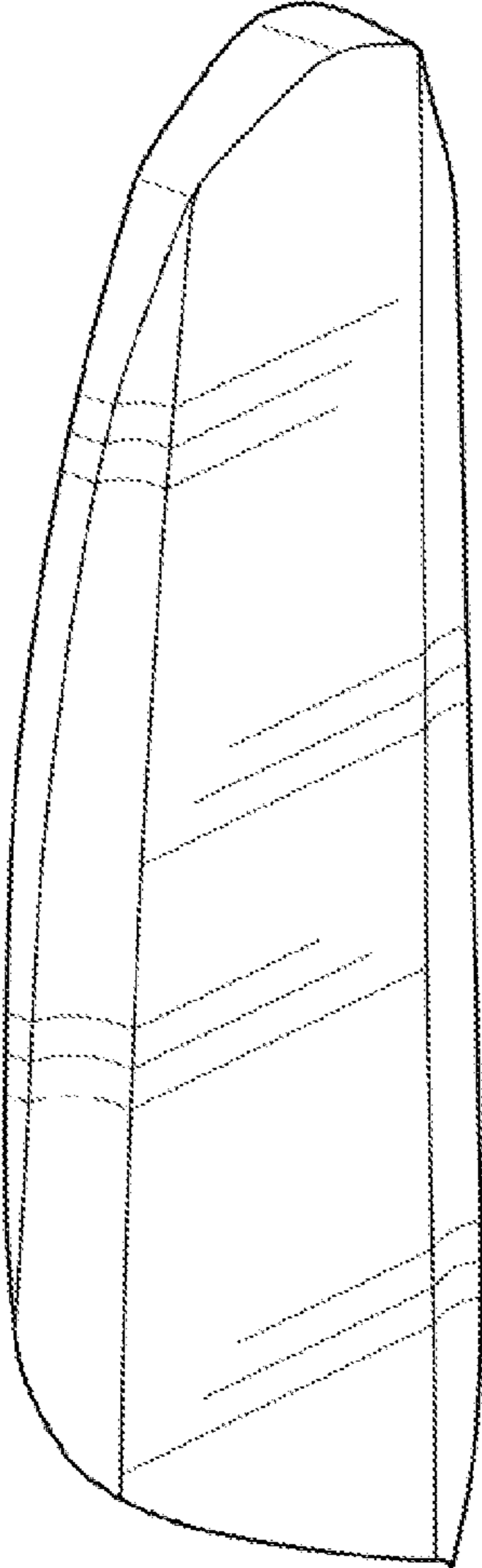


Fig-1

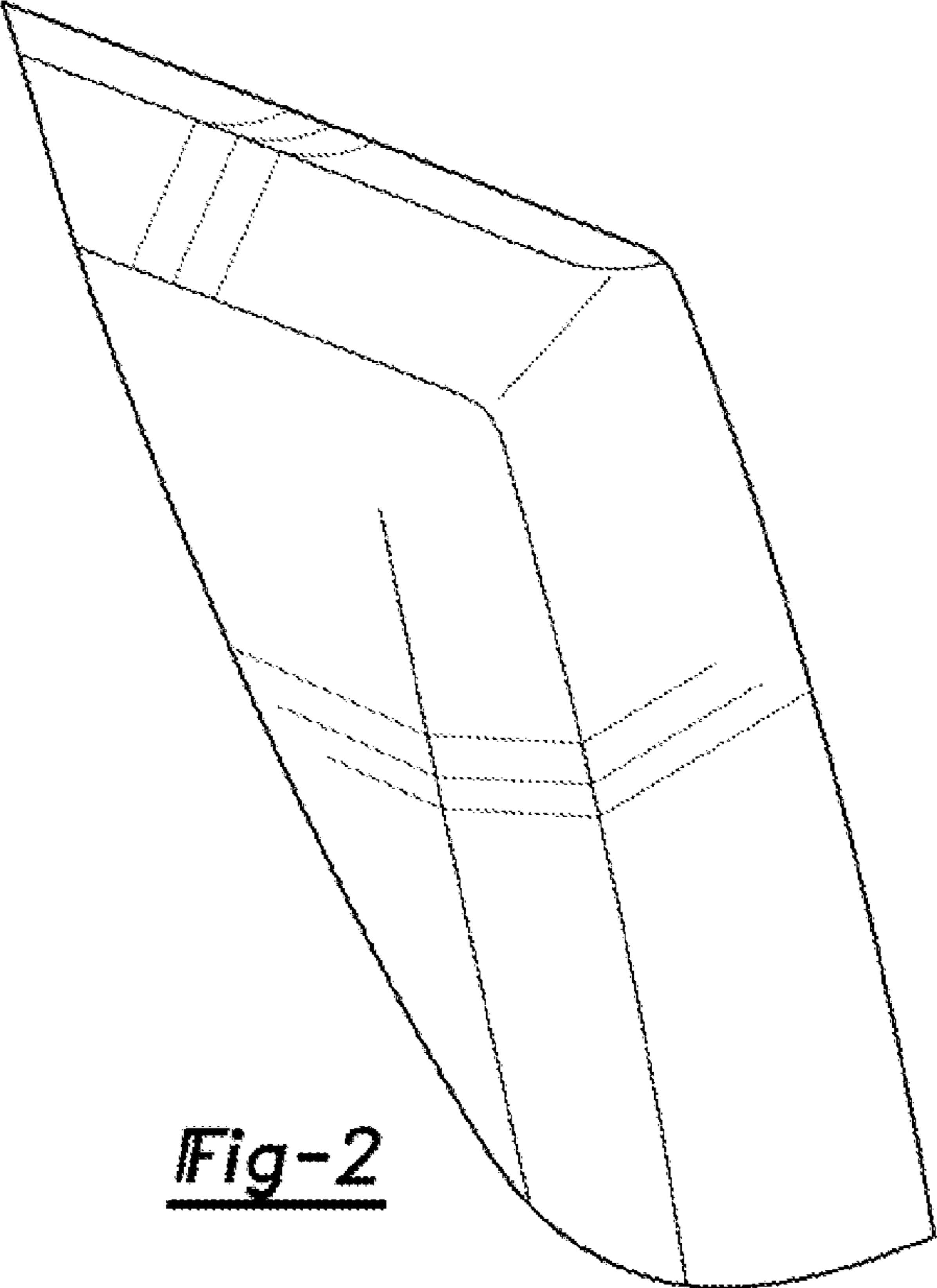


Fig-2

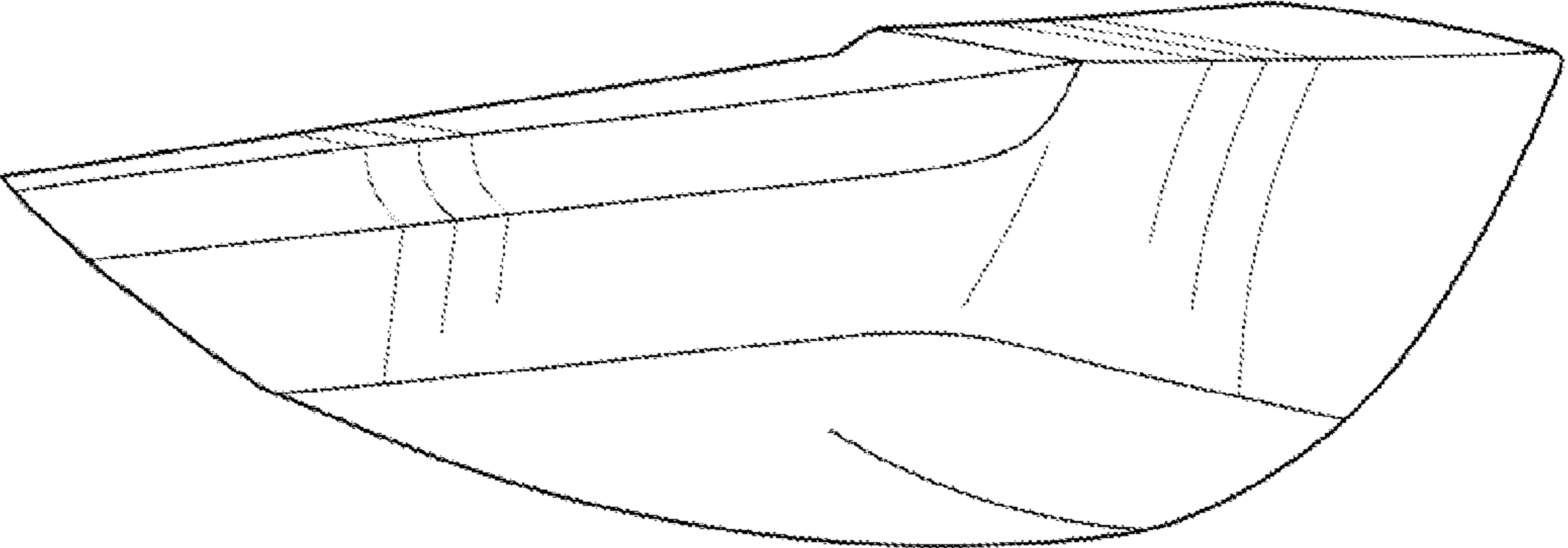


Fig-3