



US00D644770S

(12) **United States Design Patent**
Chao

(10) **Patent No.:** **US D644,770 S**

(45) **Date of Patent:** **** Sep. 6, 2011**

(54) **BLACKOUT AND NIGHT LIGHT**

(76) Inventor: **Albert Chao**, Saddle River, NJ (US)

(**) Term: **14 Years**

(21) Appl. No.: **29/356,671**

(22) Filed: **Mar. 1, 2010**

(51) **LOC (9) Cl.** **26-05**

(52) **U.S. Cl.** **D26/26**

(58) **Field of Classification Search** D26/26,
D26/24, 37, 38, 57, 73, 94, 98, 101; D10/110,
D10/114; D22/120, 122, 123; D21/315,
D21/318, 650, 712, 713, 780, 788; D11/119,
D11/137, 139, 144, 162; 362/640, 641, 642,
362/643, 644, 652, 653, 657, 658, 659, 563,
362/567, 122, 124, 183, 805, 806
See application file for complete search history.

(56) **References Cited**

U.S. PATENT DOCUMENTS

| | | | |
|--------------|---------|---------------------|--------|
| D287,408 S * | 12/1986 | Gaines | D26/26 |
| D294,180 S * | 2/1988 | Johnson et al. | D26/93 |
| D302,319 S * | 7/1989 | Yuen | D26/26 |
| D303,717 S * | 9/1989 | Korte | D26/26 |
| D331,292 S * | 11/1992 | Ham | D26/26 |
| D343,015 S * | 1/1994 | Yuen | D26/26 |

| | | | |
|--------------|---------|----------------------|--------|
| D347,703 S * | 6/1994 | Ham | D26/26 |
| D350,407 S * | 9/1994 | Yuen | D26/26 |
| D374,294 S * | 10/1996 | Yuen | D26/26 |
| D389,591 S * | 1/1998 | Blackman et al. | D26/26 |
| D424,721 S * | 5/2000 | Garrity et al. | D26/26 |
| D430,320 S * | 8/2000 | Ham | D26/26 |
| D633,236 S * | 2/2011 | Voshell | D26/26 |

* cited by examiner

Primary Examiner — Angela J Lee

(74) *Attorney, Agent, or Firm* — Notaro, Michalos & Zaccaria P.C.

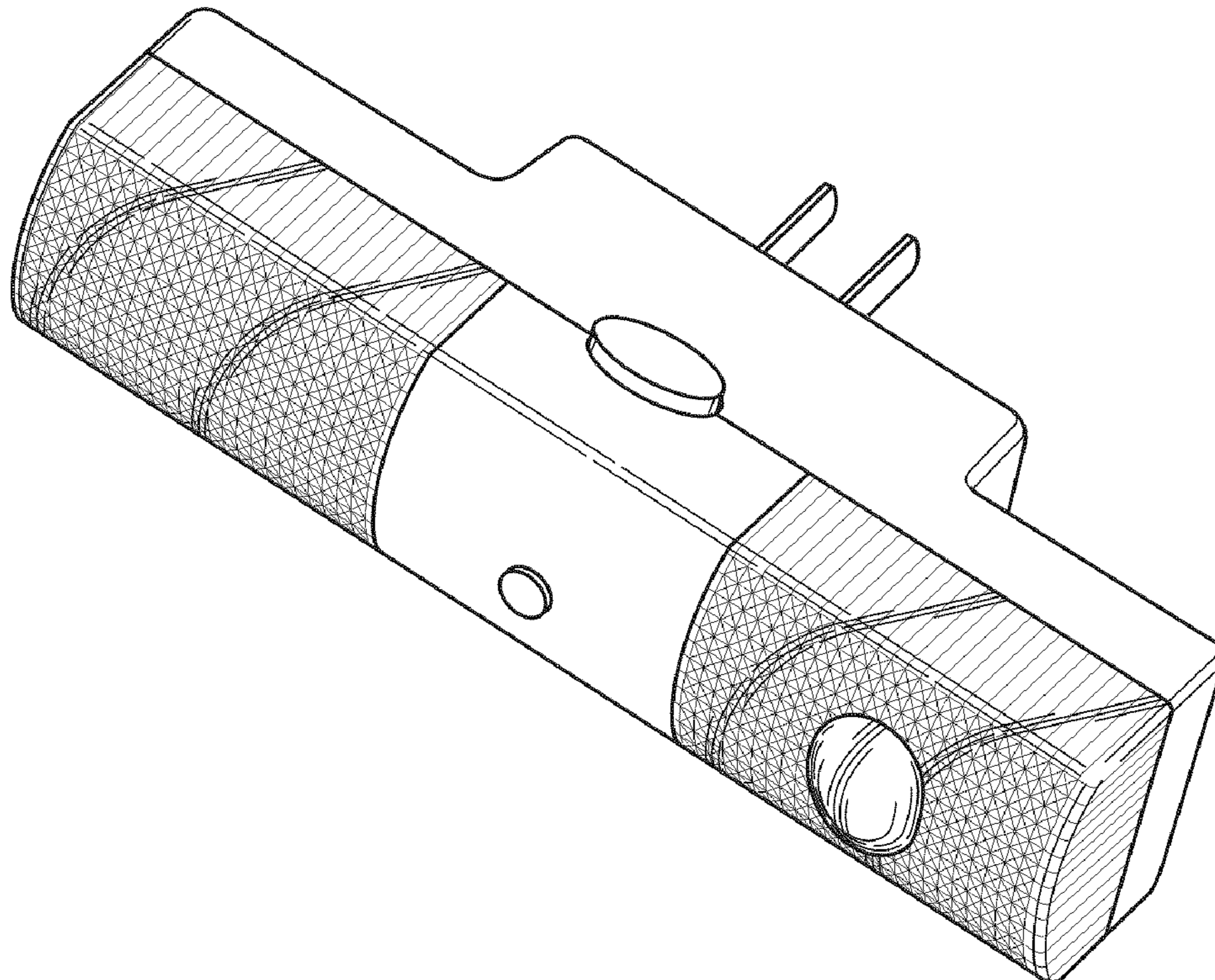
(57) **CLAIM**

The ornamental design for a blackout and night light, as shown and described.

DESCRIPTION

FIG. 1 is a top, front, side perspective view of a blackout and night light showing my design therefore;
FIG. 2 is a front elevational view thereof;
FIG. 3 is a rear elevational view thereof the broken line area forming no part of the design;
FIG. 4 is a left side elevational view thereof;
FIG. 5 is a right side elevational view thereof;
FIG. 6 is a top plan view thereof; and,
FIG. 7 is a bottom plan view thereof.

1 Claim, 4 Drawing Sheets



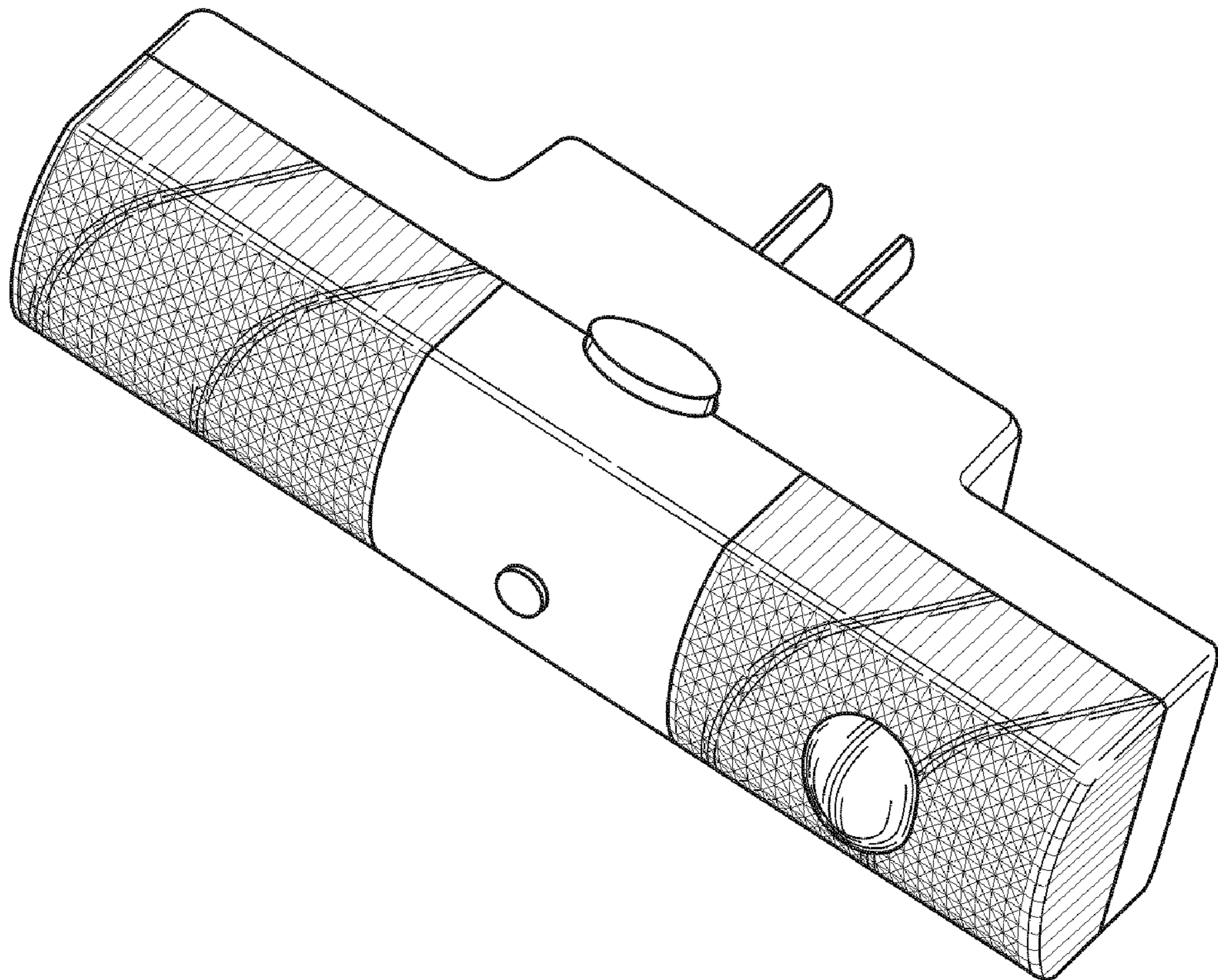


FIG. 1

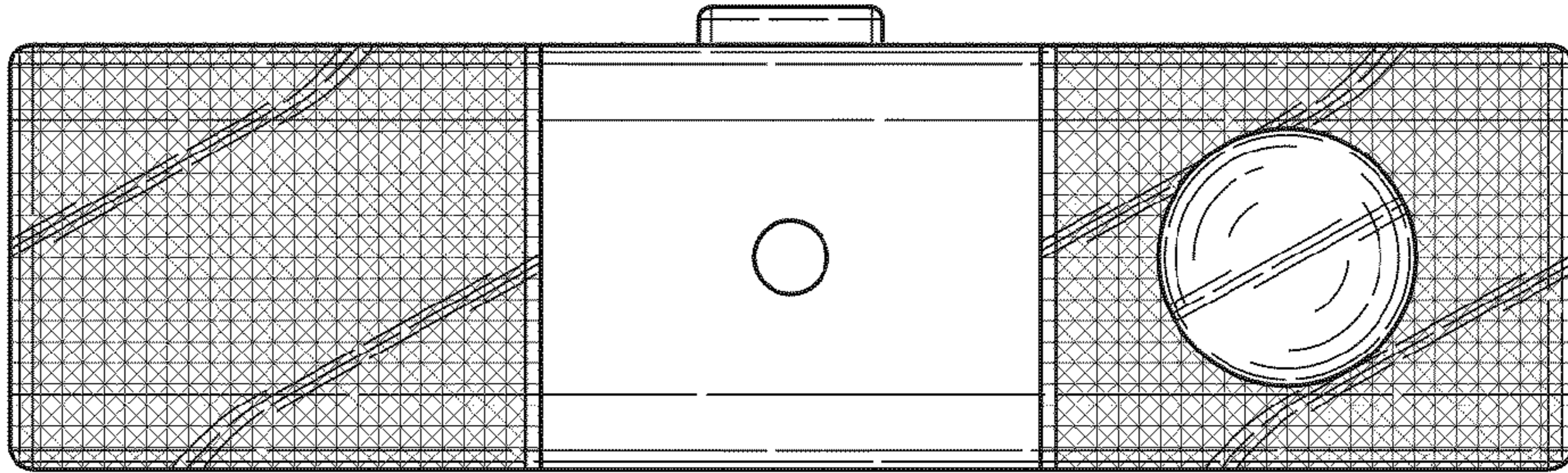


FIG. 2

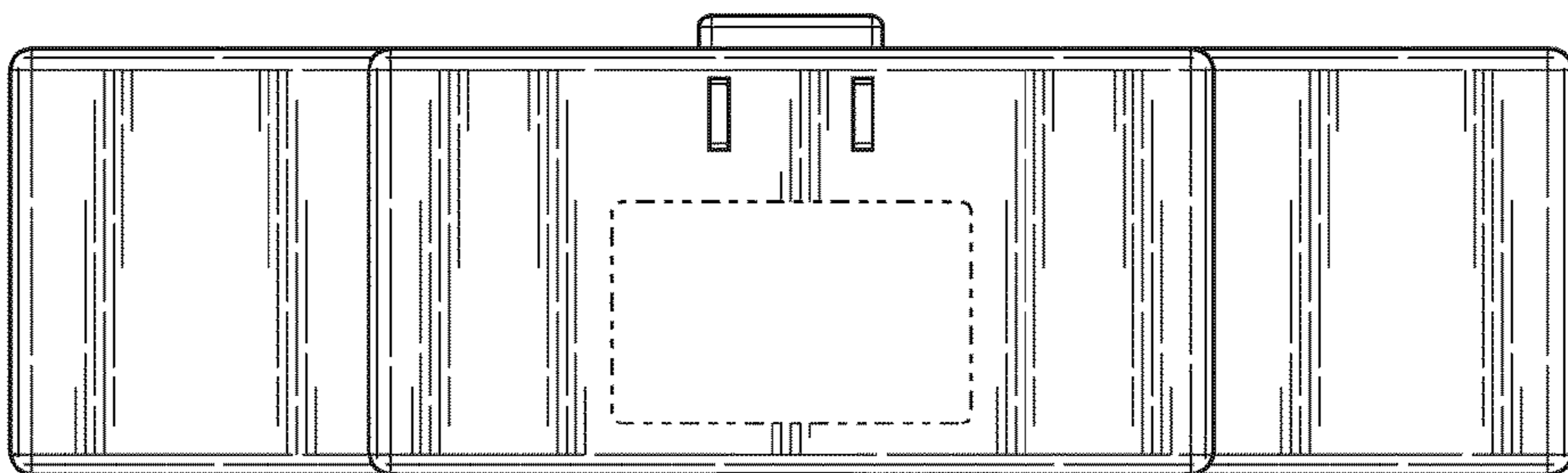


FIG. 3

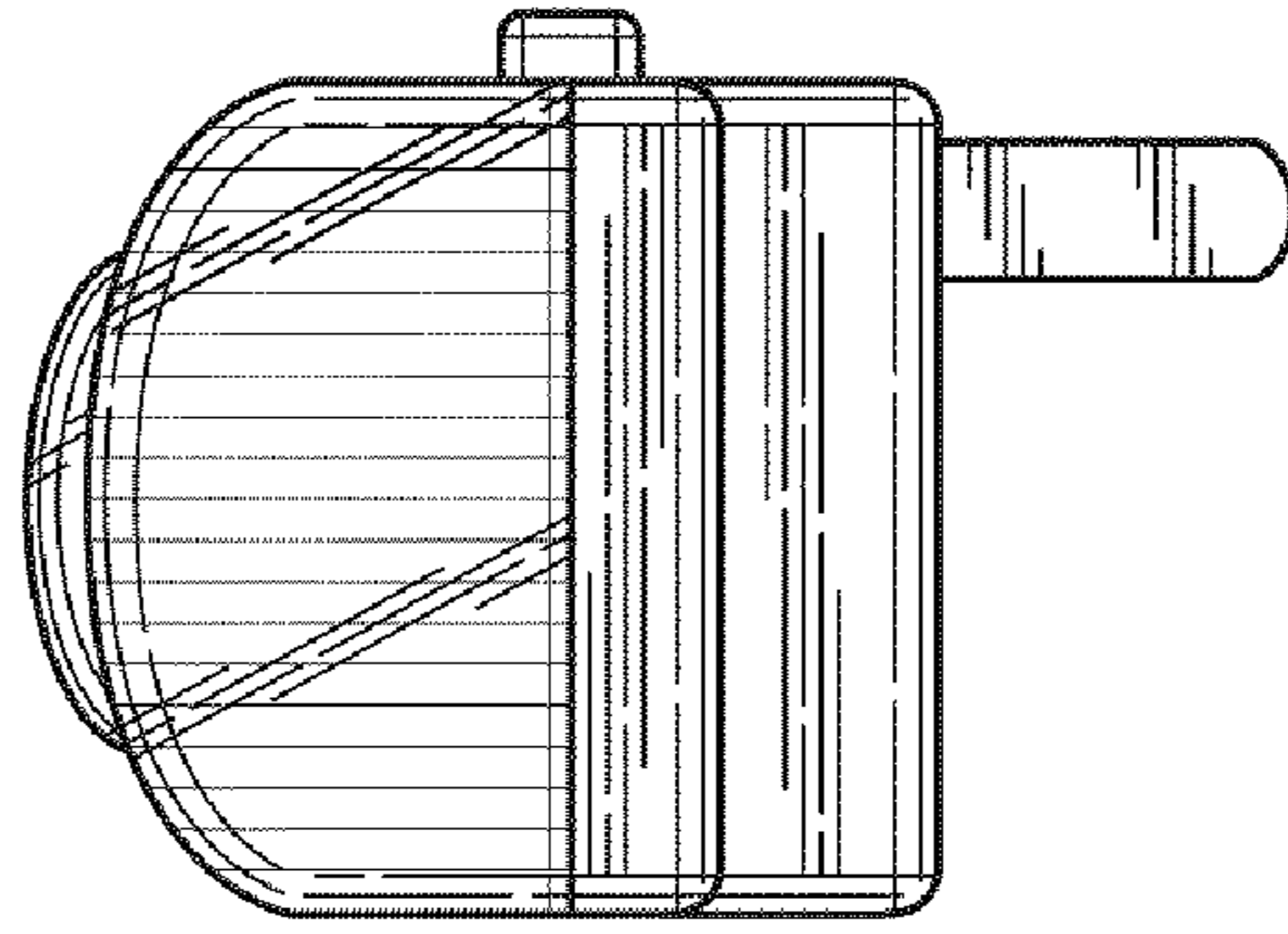


FIG. 4

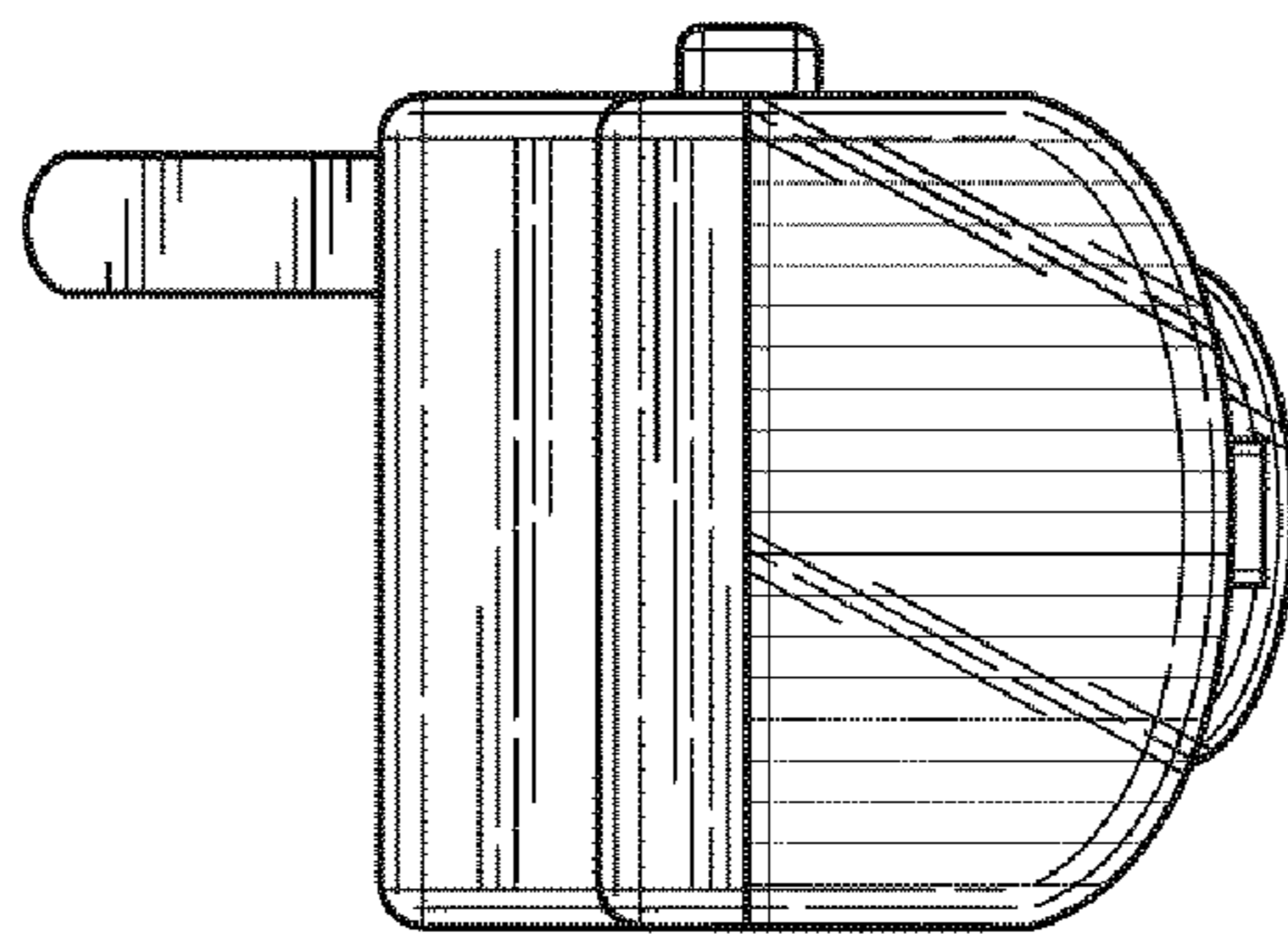


FIG. 5

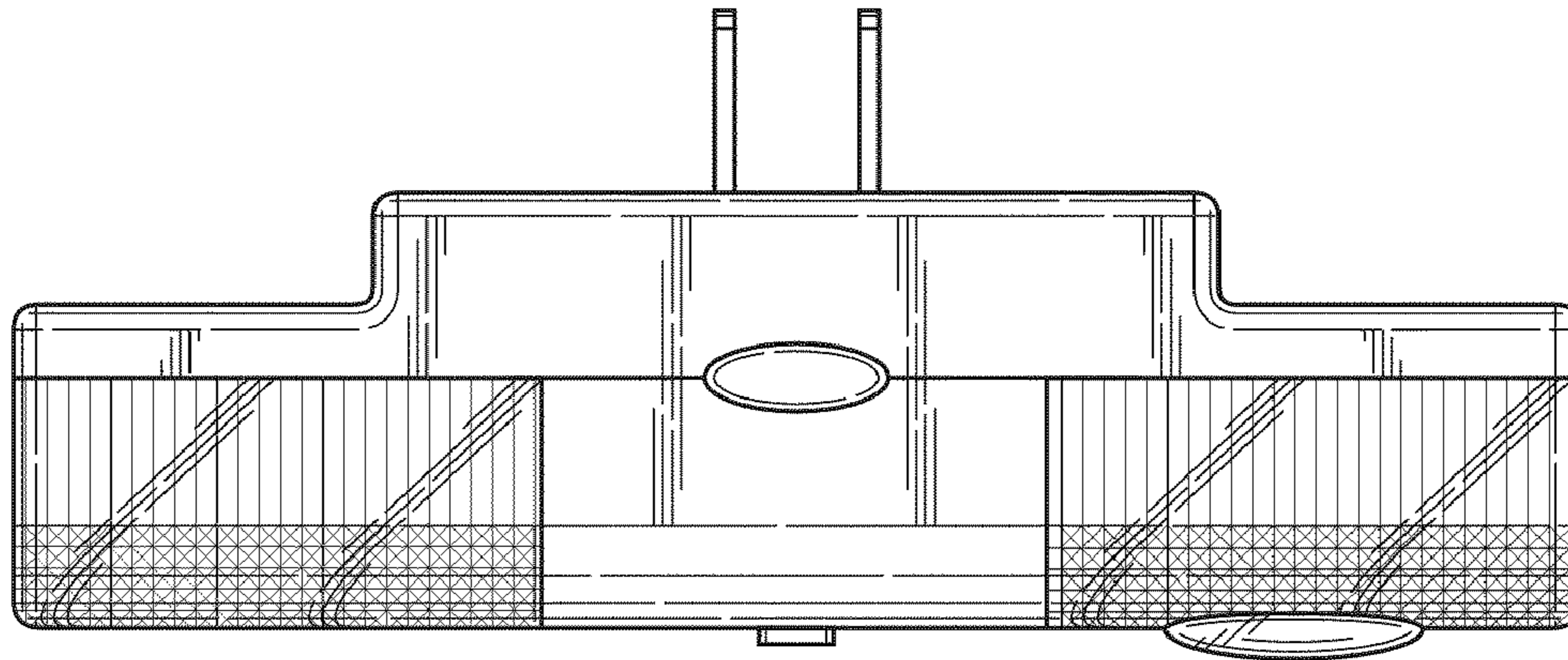


FIG. 6

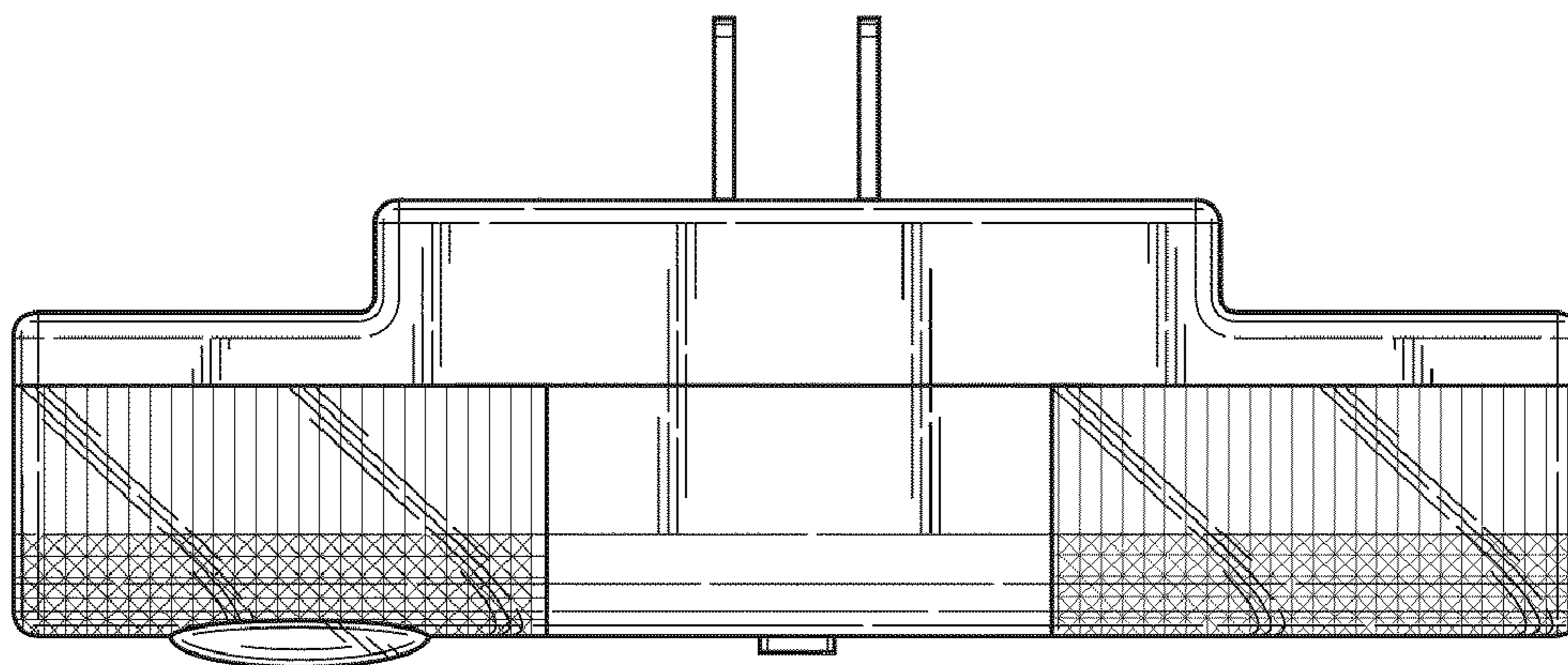


FIG. 7