

US00D644764S

(12) **United States Design Patent**  
**Foo**

(10) **Patent No.:** **US D644,764 S**

(45) **Date of Patent:** **\*\* Sep. 6, 2011**

(54) **LAMP**

(56) **References Cited**

(75) Inventor: **Onn Fah Foo**, Kowloon (HK)

(73) Assignee: **Mass Technology (H.K.) Limited** (HK)

(\*\*) Term: **14 Years**

(21) Appl. No.: **29/386,278**

(22) Filed: **Feb. 26, 2011**

(30) **Foreign Application Priority Data**

Aug. 30, 2010 (HK) ..... 1001558.6M002

(51) **LOC (9) Cl.** ..... **26-04**

(52) **U.S. Cl.** ..... **D26/2**

(58) **Field of Classification Search** ..... D26/1-4;  
313/313, 315, 317, 318, 493; 315/52, 53,  
315/56, 57, 58

See application file for complete search history.

U.S. PATENT DOCUMENTS

D625,030	S	*	10/2010	Yamamoto et al.	.....	D26/2
D627,492	S	*	11/2010	Yamamoto et al.	.....	D26/2
D628,317	S	*	11/2010	Yamamoto et al.	.....	D26/2
D628,722	S	*	12/2010	Yamamoto et al.	.....	D26/2
D629,933	S	*	12/2010	Foo	.....	D26/2
D631,573	S	*	1/2011	Yamamoto et al.	.....	D26/2

\* cited by examiner

*Primary Examiner* — Marcus Jackson

(74) *Attorney, Agent, or Firm* — Kevin J. McNeely;  
McNeely, Hare & War LLP

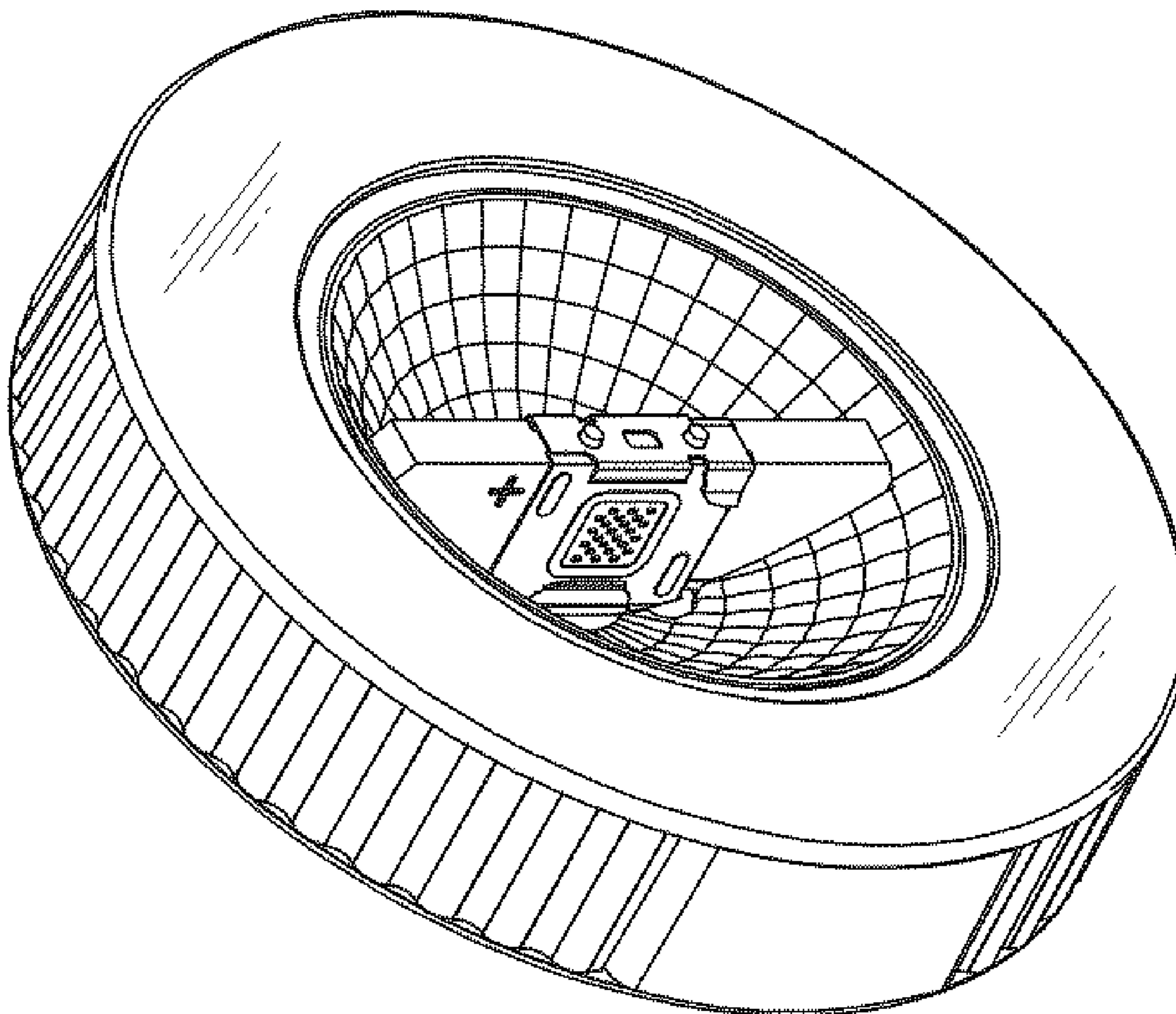
(57) **CLAIM**

The ornamental design for a lamp, as shown.

**DESCRIPTION**

FIG. 1 is a front view of the lamp, showing the new design;  
FIG. 2 is a rear view of the lamp;  
FIG. 3 is a left side view of the lamp;  
FIG. 4 is a right side view of the lamp;  
FIG. 5 is a top view of the lamp;  
FIG. 6 is a bottom view of the lamp; and,  
FIG. 7 is top perspective view of the lamp.

**1 Claim, 4 Drawing Sheets**



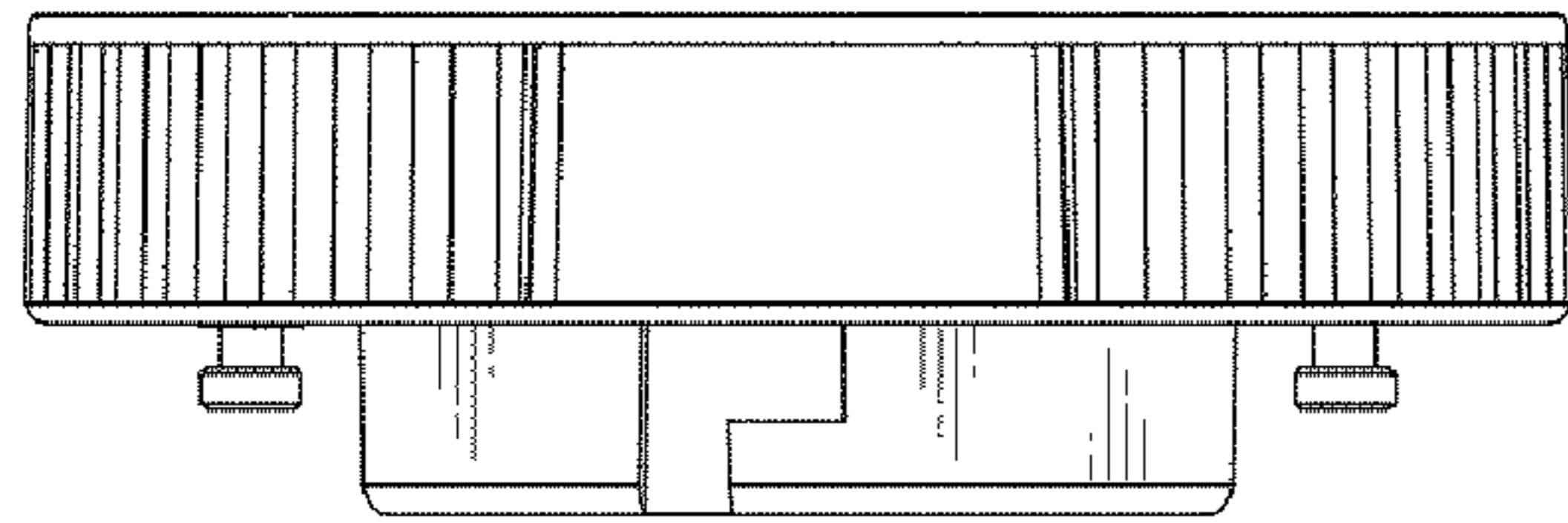


Fig. 1

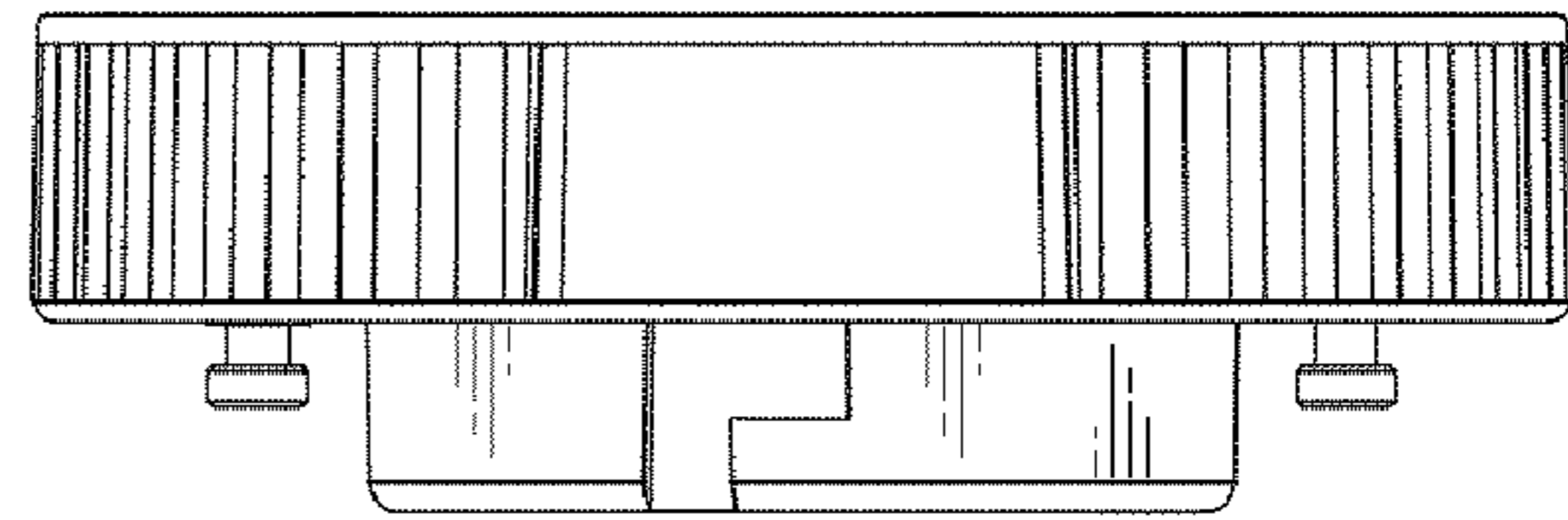


Fig. 2

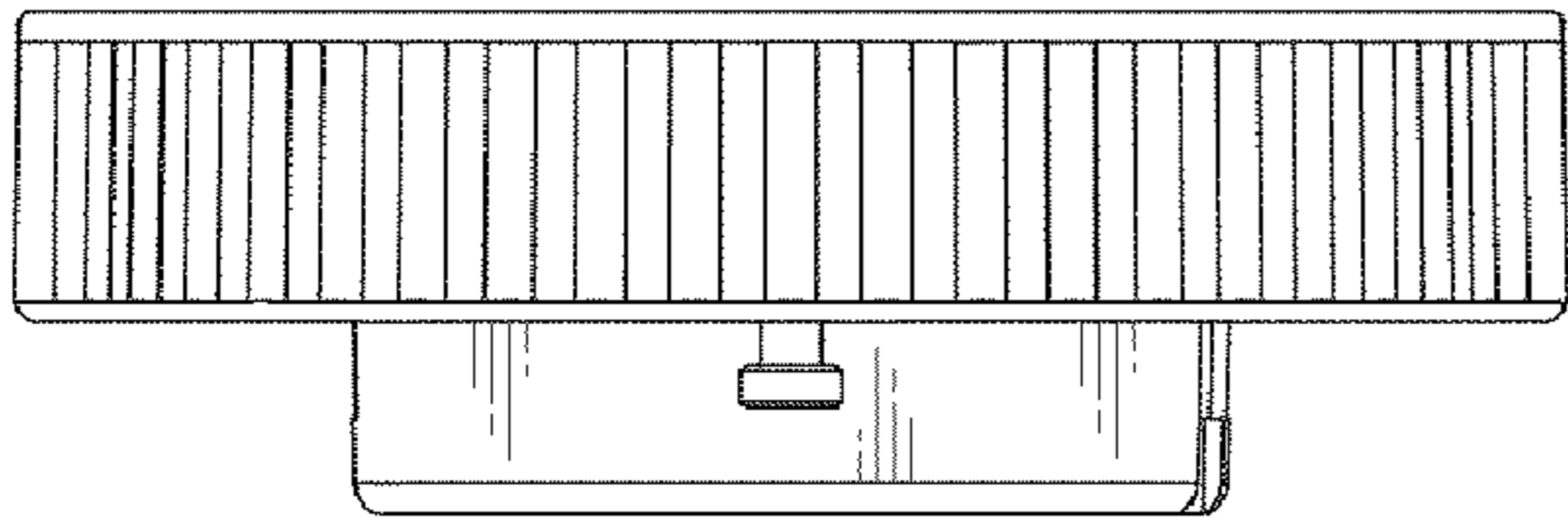


Fig. 3

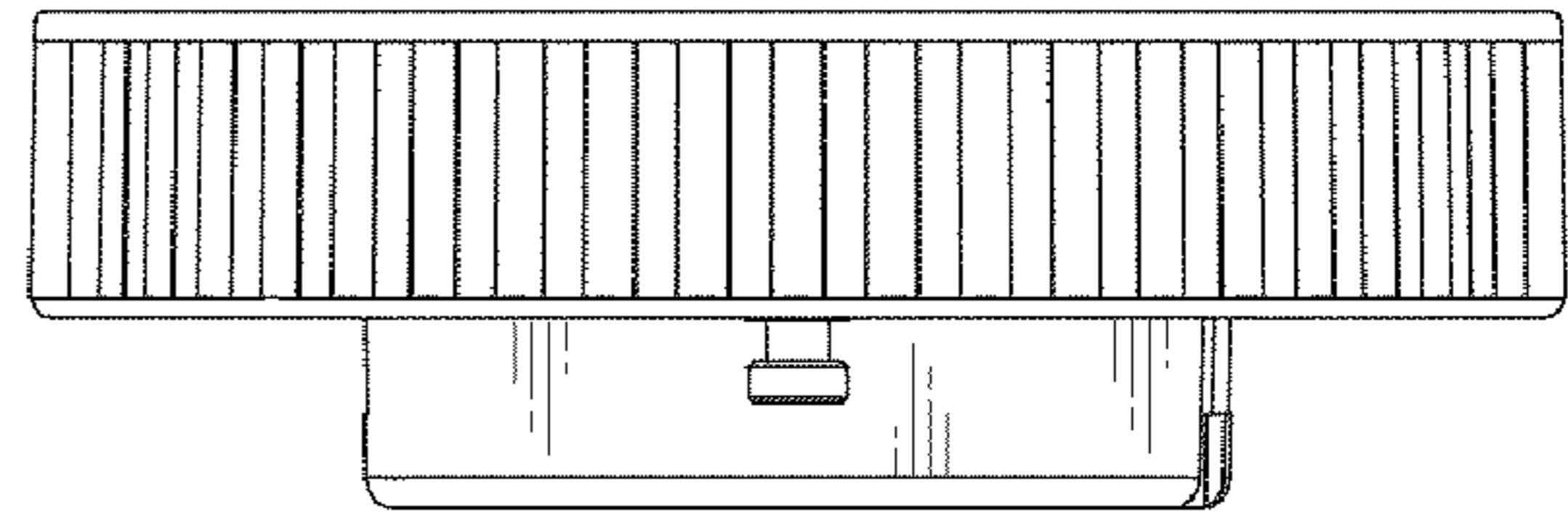


Fig. 4

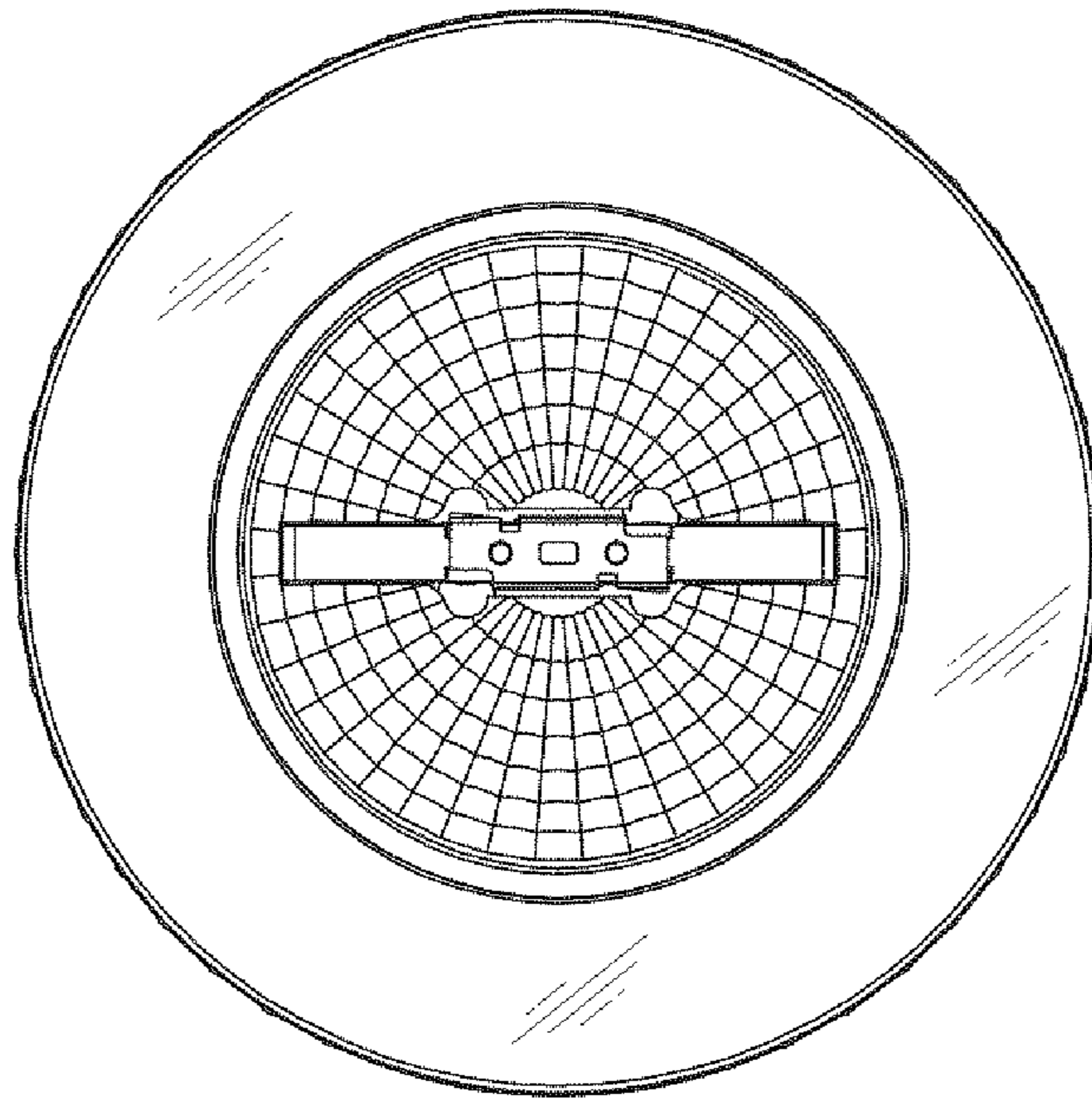


Fig. 5

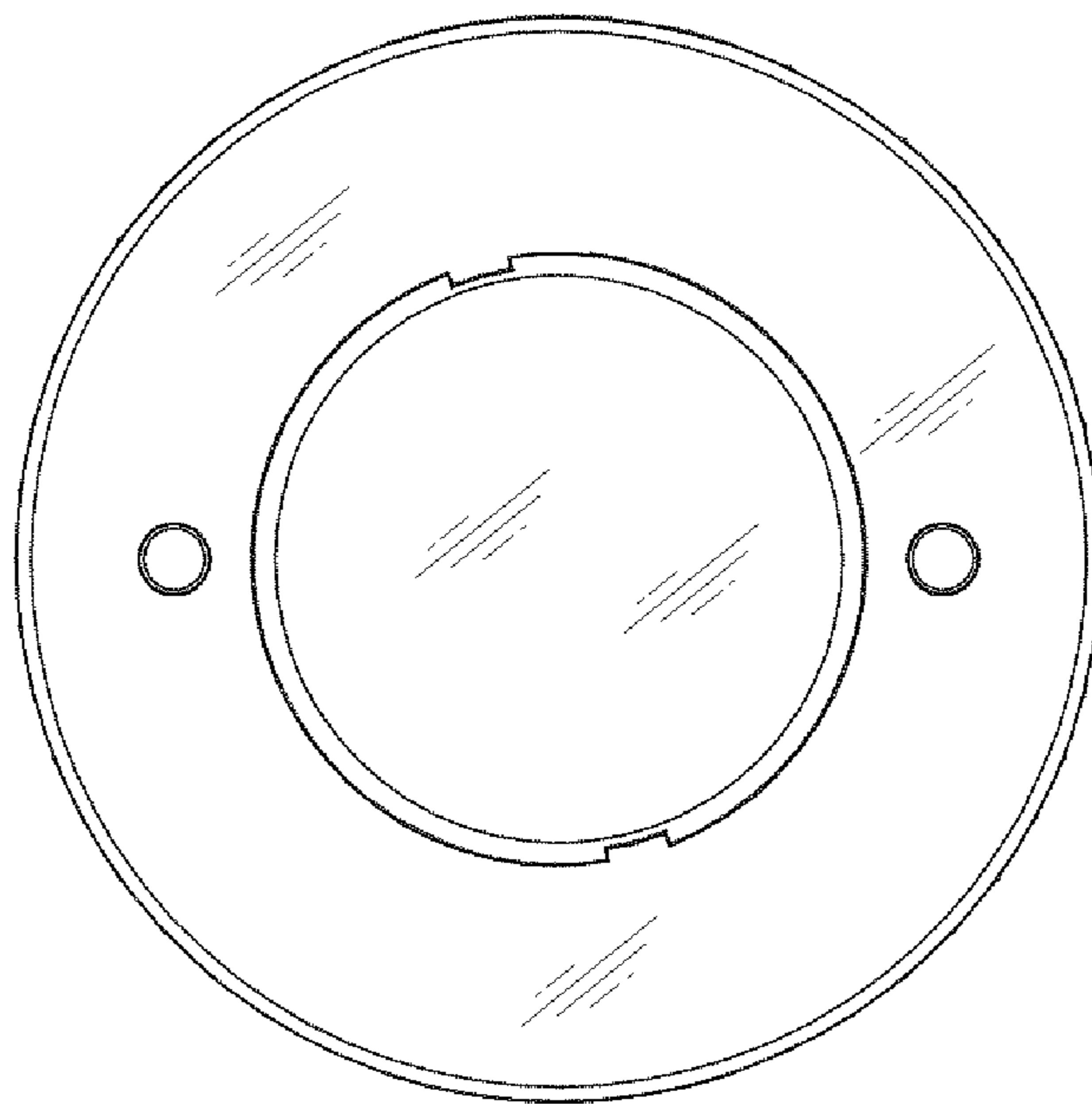


Fig. 6

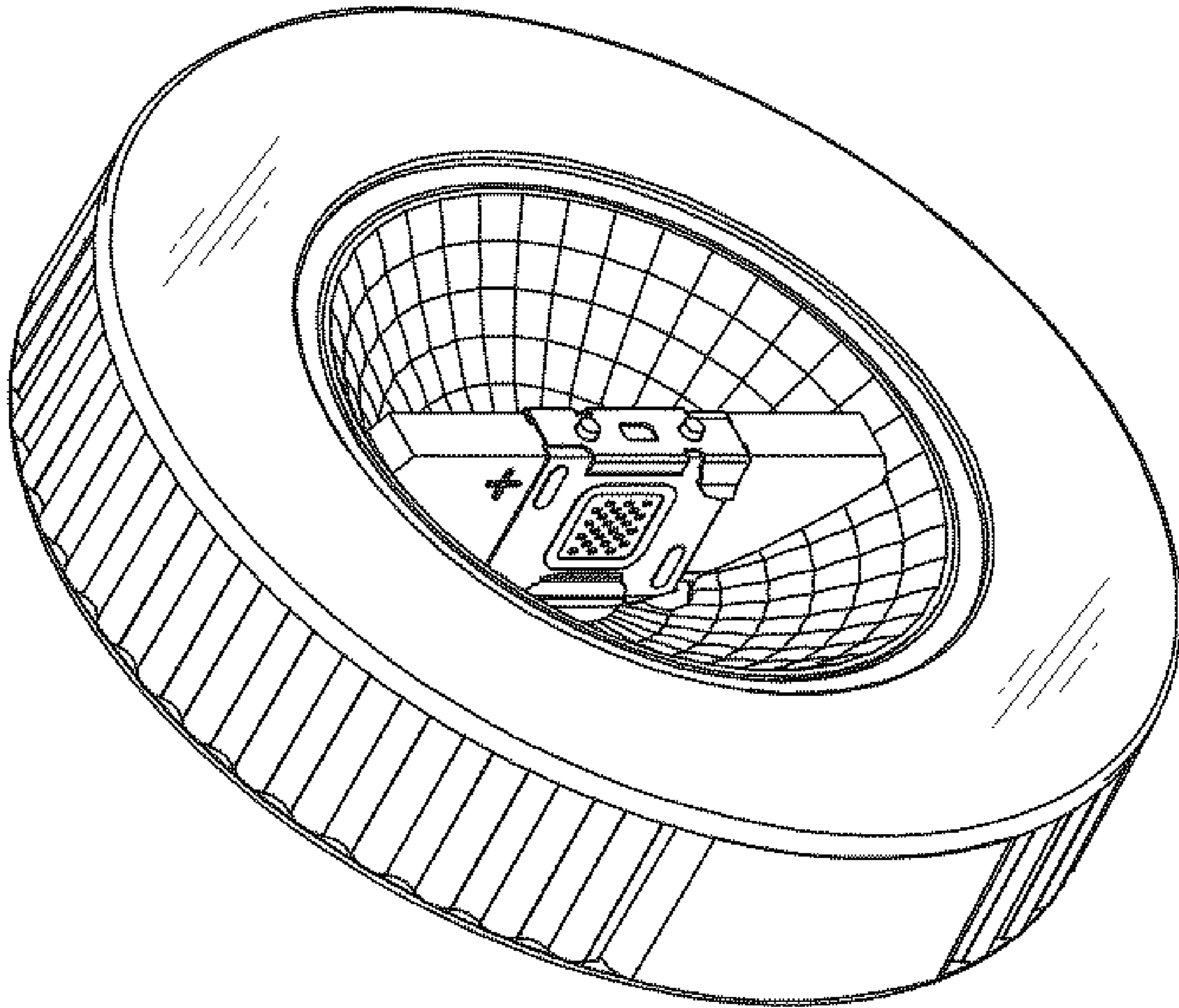


Fig. 7