



US00D644761S

(12) **United States Design Patent**  
**Lee et al.**

(10) **Patent No.:** **US D644,761 S**  
(45) **Date of Patent:** **\*\* Sep. 6, 2011**

(54) **LED LAMP**

(75) Inventors: **Seong Jin Lee**, Ansan-si (KR); **Ki Tae Kang**, Ansan-si (KR); **Do Hyong Kim**, Ansan-si (KR)

(73) Assignee: **Seoul Semiconductor Co., Ltd.**, Seoul (KR)

(\*\*) Term: **14 Years**

(21) Appl. No.: **29/382,053**

(22) Filed: **Dec. 28, 2010**

(30) **Foreign Application Priority Data**

Jul. 15, 2010 (KR) ..... 30-2010-0031024

(51) **LOC (9) Cl.** ..... **26-04**

(52) **U.S. Cl.** ..... **D26/2**

(58) **Field of Classification Search** ..... D26/1-4;  
313/313, 315, 316, 317, 318, 493; 315/52,  
315/53, 56, 57, 58

See application file for complete search history.

(56) **References Cited**

U.S. PATENT DOCUMENTS

D581,555	S	*	11/2008	To et al.	.....	D26/2
D593,222	S	*	5/2009	To et al.	.....	D26/2
D594,997	S	*	6/2009	Zhu et al.	.....	D26/2
D601,277	S	*	9/2009	Grajcar	.....	D26/2
D629,933	S	*	12/2010	Foo	.....	D26/2

\* cited by examiner

*Primary Examiner* — Marcus Jackson

(74) *Attorney, Agent, or Firm* — H.C. Park & Associates, PLC

(57) **CLAIM**

The ornamental design for a LED lamp, as shown and described.

**DESCRIPTION**

FIG. 1 is a perspective view of the LED lamp.  
FIG. 2 is a front view of the LED lamp.  
FIG. 3 is a rear view of the LED lamp.  
FIG. 4 is a left side view of the LED lamp.  
FIG. 5 is a right side view of the LED lamp.  
FIG. 6 is a top plan view of the LED lamp; and,  
FIG. 7 is a bottom plan view of the LED lamp.

**1 Claim, 4 Drawing Sheets**

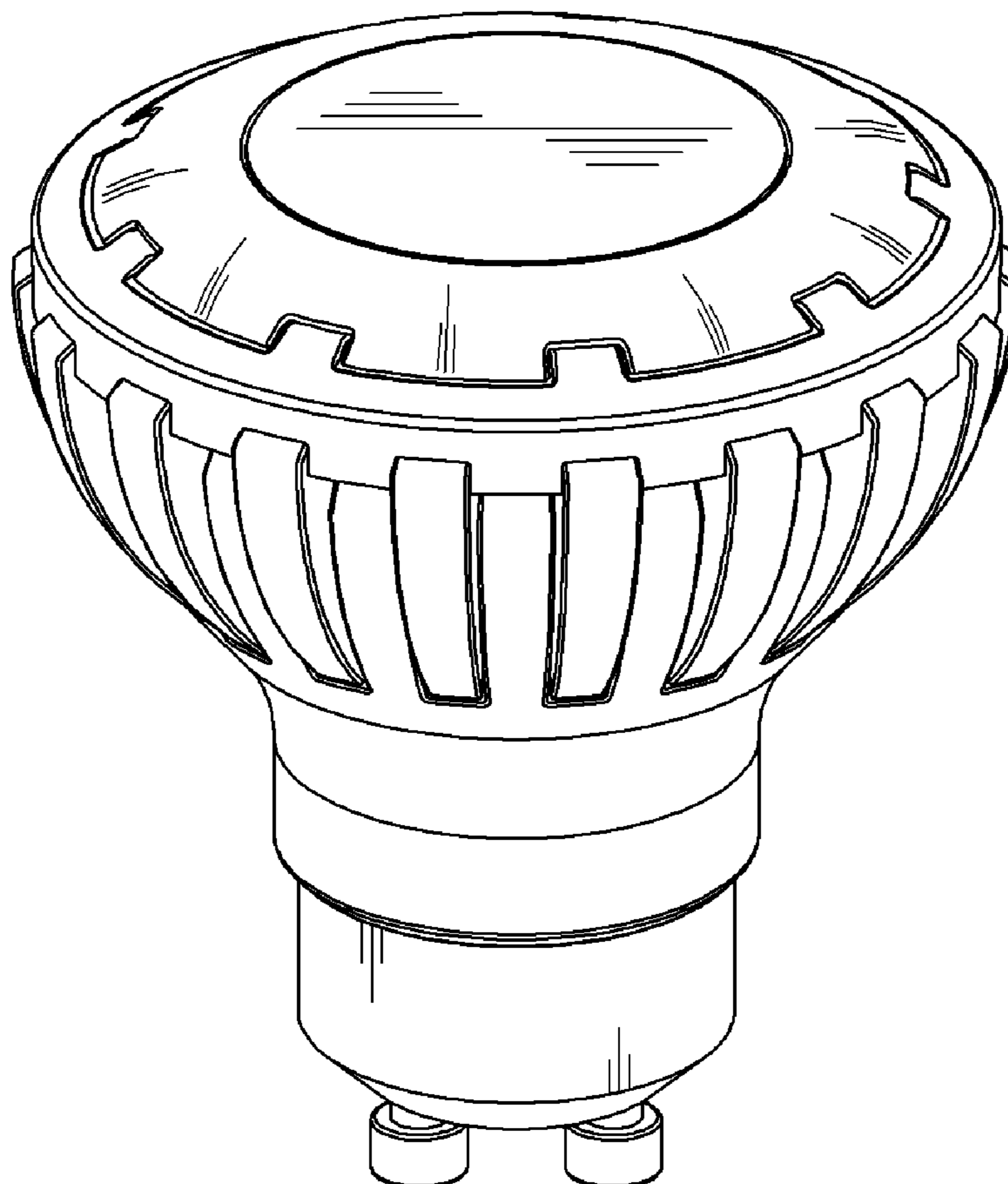


Fig. 1

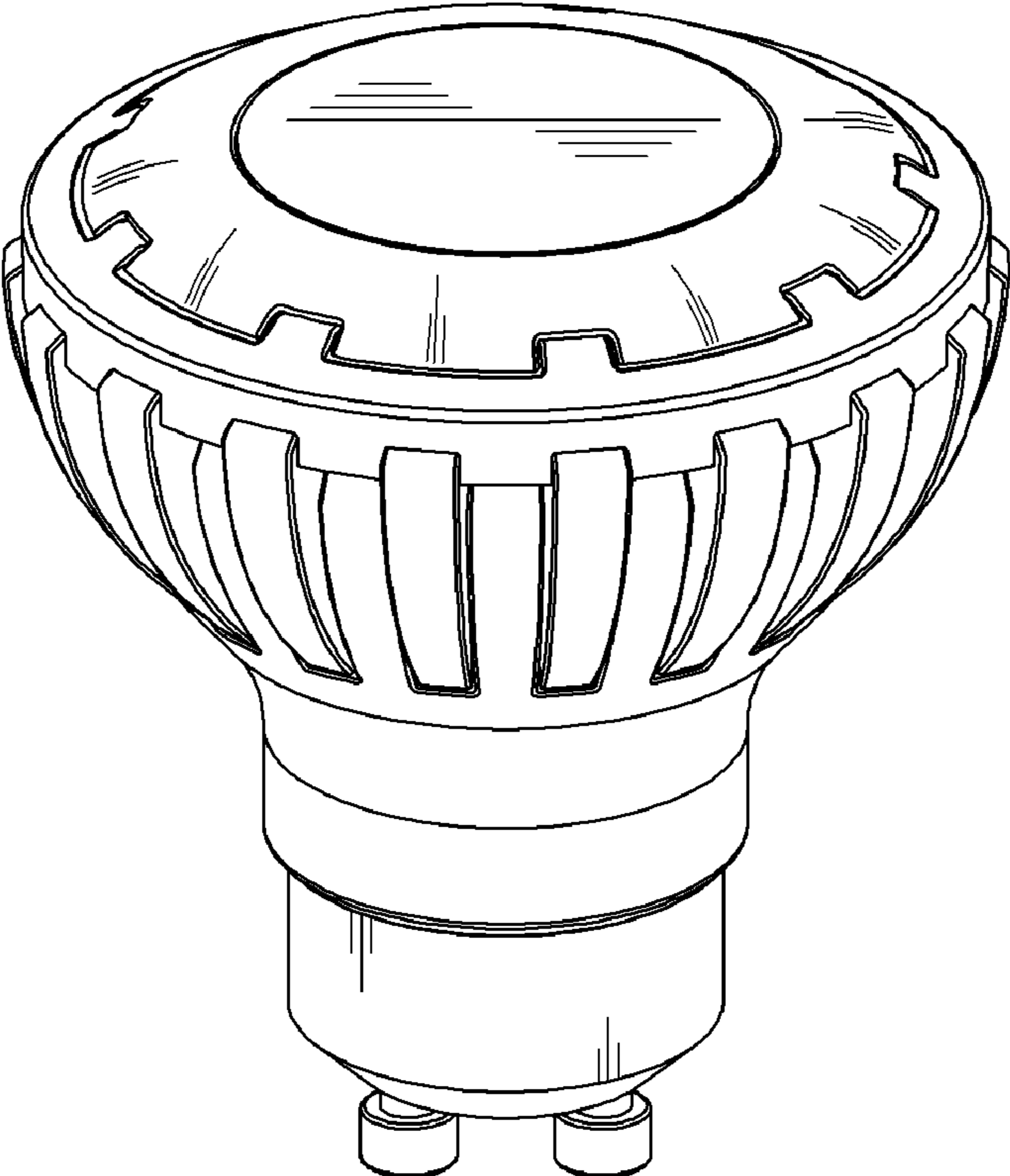


Fig. 2

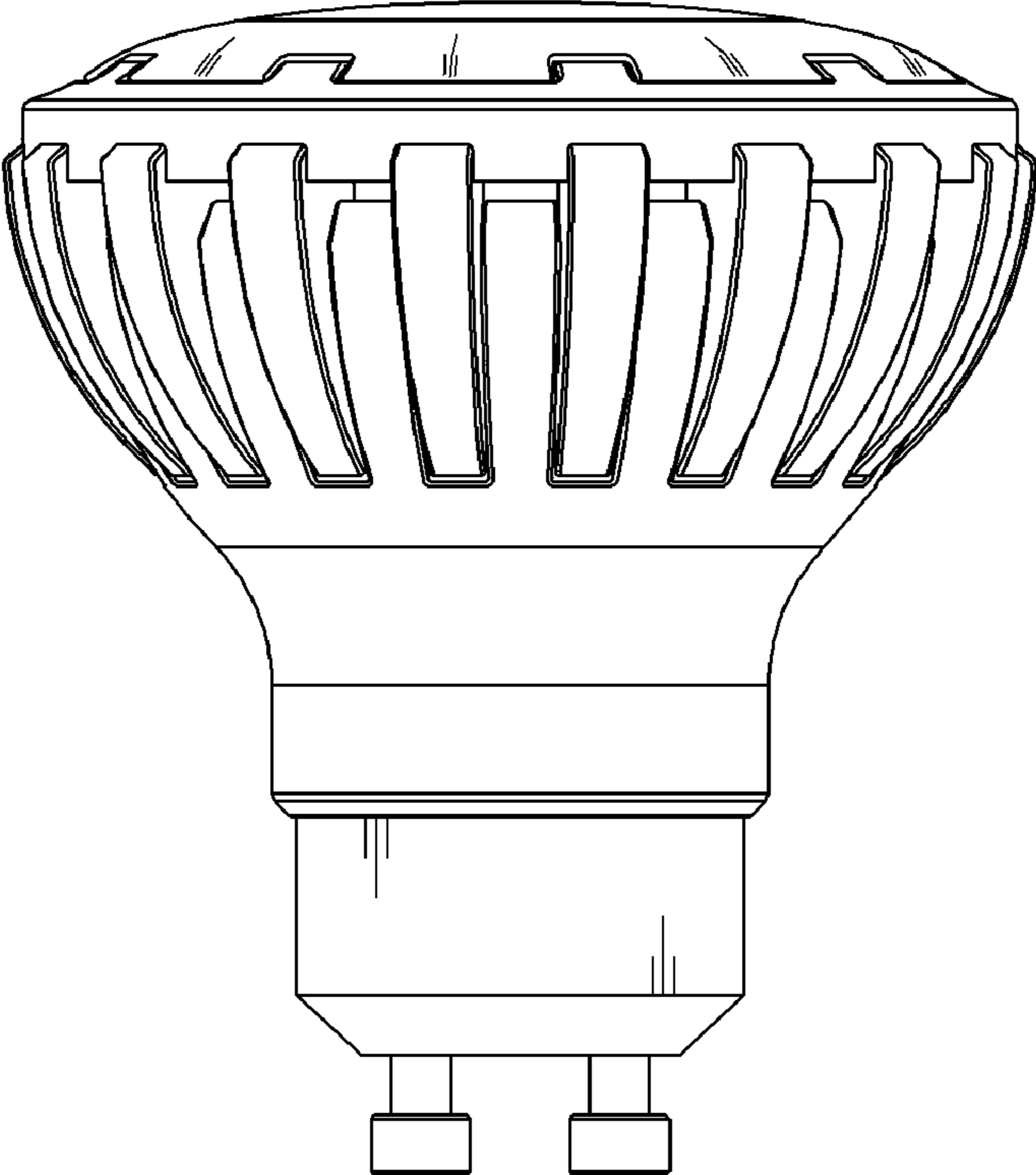


Fig. 3

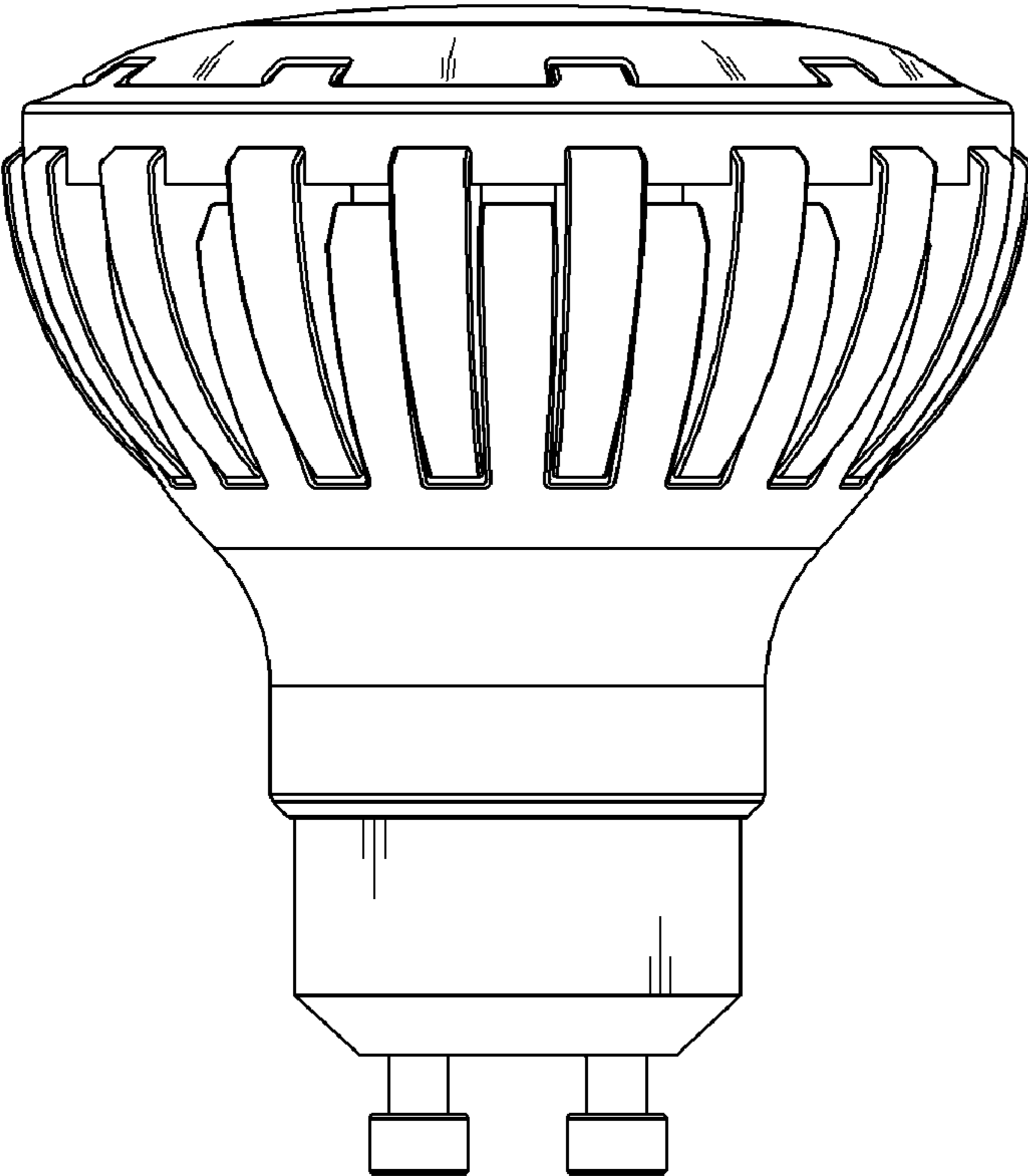


Fig. 4

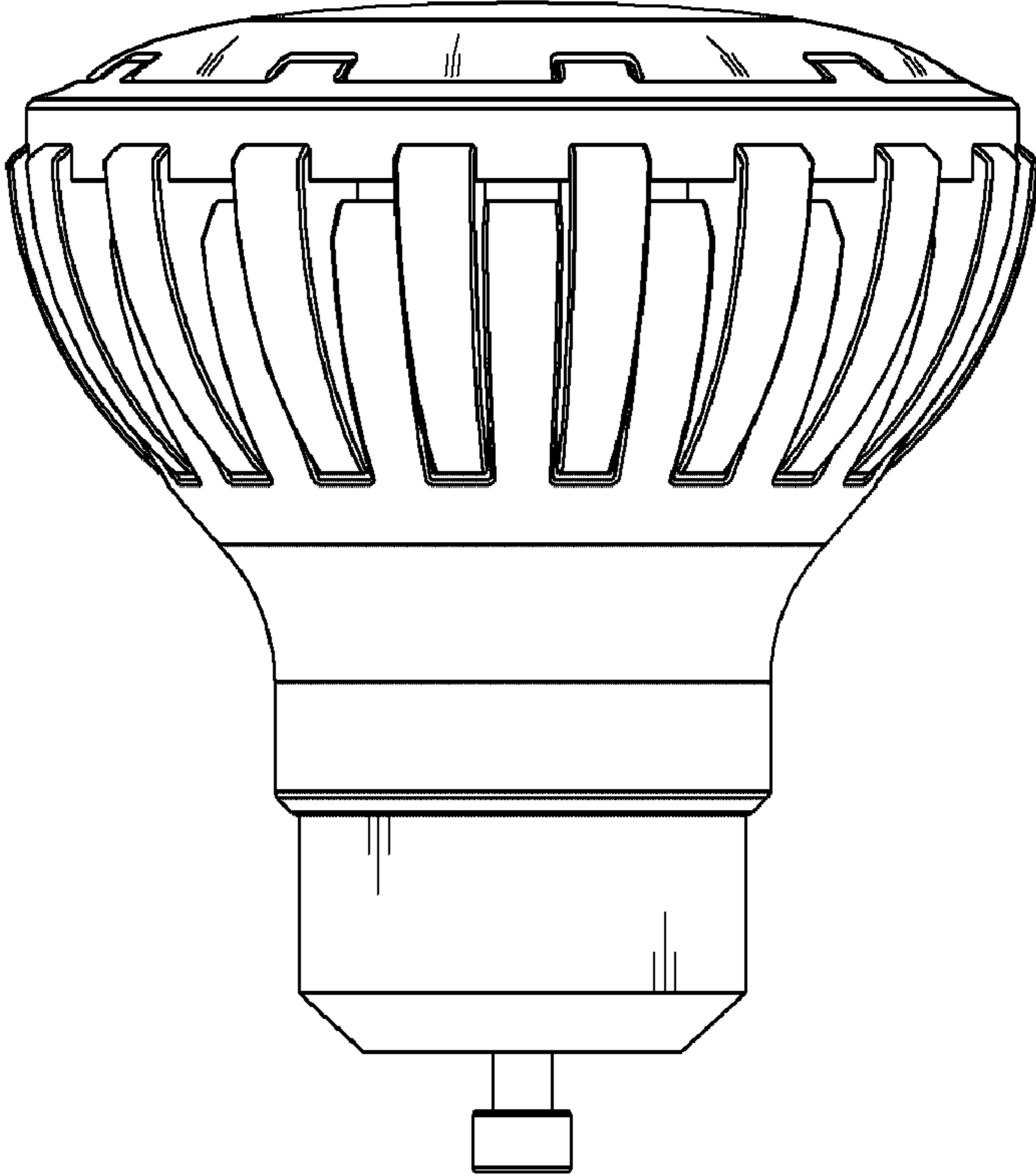


Fig. 5

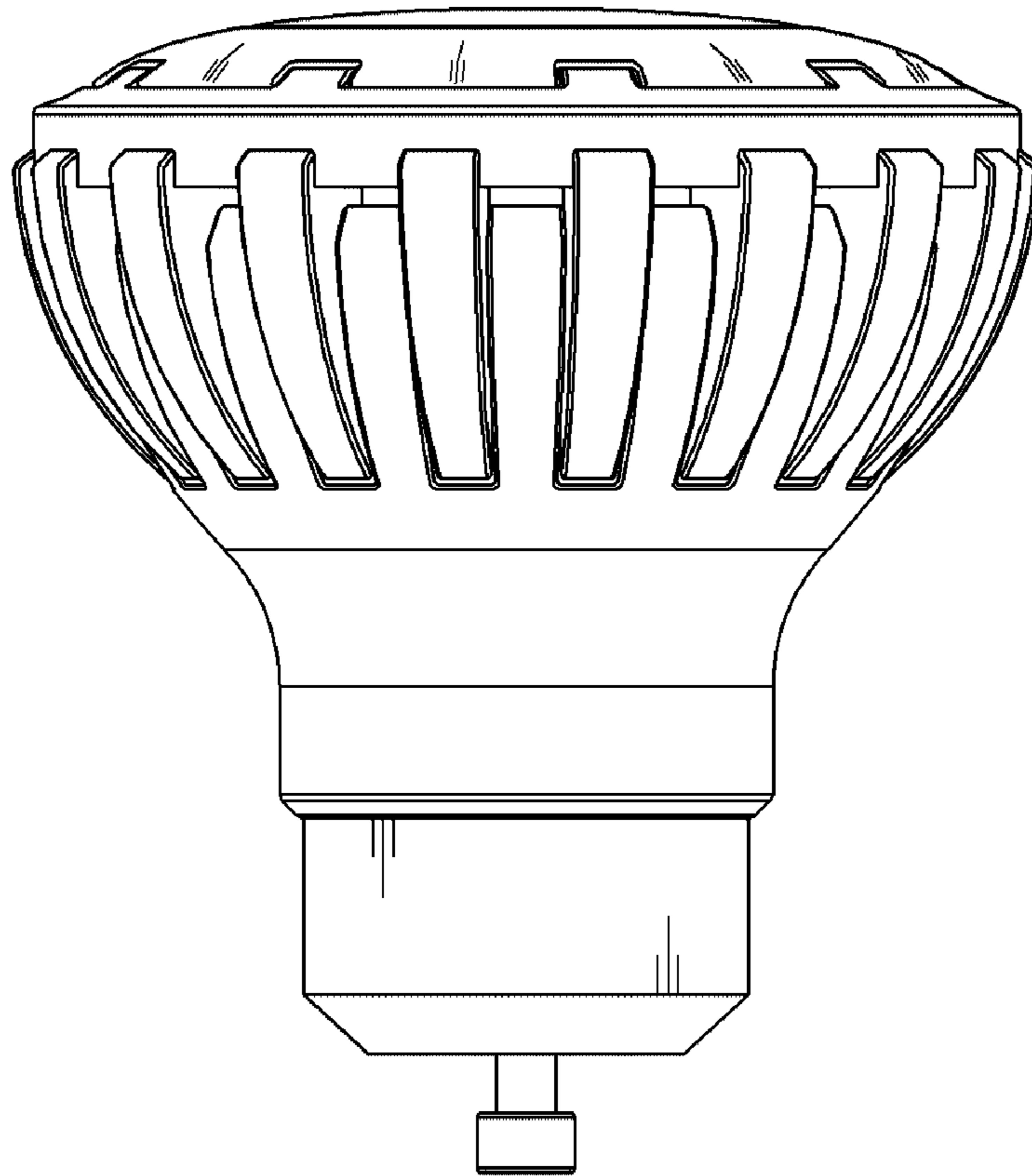


Fig. 6

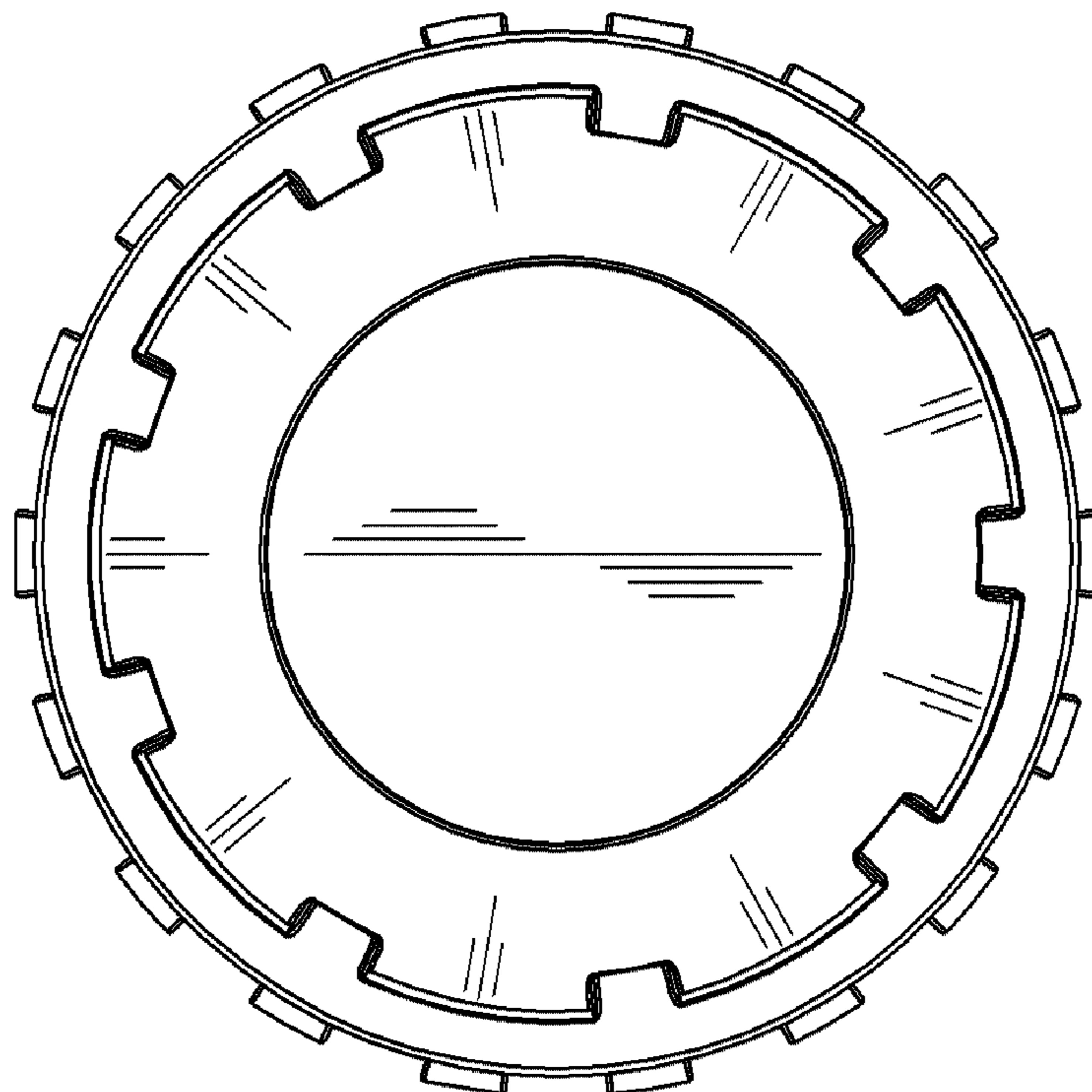


Fig. 7

