



US00D644757S

(12) **United States Design Patent**  
**Vappula**

(10) **Patent No.:** **US D644,757 S**

(45) **Date of Patent:** **\*\* Sep. 6, 2011**

(54) **CHAMFER STRIP**

(75) Inventor: **Kari Vappula**, Toijala (FI)

(73) Assignee: **Elematic Group Oy**, Toijala (FI)

(\*\*) Term: **14 Years**

(21) Appl. No.: **29/357,982**

(22) Filed: **Mar. 19, 2010**

(30) **Foreign Application Priority Data**

Oct. 6, 2009 (EM) ..... 001619768

(51) **LOC (9) Cl.** ..... **25-01**

(52) **U.S. Cl.** ..... **D25/199**

(58) **Field of Classification Search** ..... D25/199;  
249/48, 188, 98, 101

See application file for complete search history.

(56) **References Cited**

**U.S. PATENT DOCUMENTS**

2,985,938	A *	5/1961	Rappas	.....	264/316
3,782,680	A *	1/1974	Hopkins	.....	249/188
4,183,497	A *	1/1980	Tamez	.....	249/205
D475,470	S *	6/2003	Oakley	.....	D25/199

\* cited by examiner

*Primary Examiner* — Doris Clark

(74) *Attorney, Agent, or Firm* — Birch, Stewart, Kolasch & Birch, LLP

(57) **CLAIM**

The ornamental design for a chamfer strip, as shown and described.

**DESCRIPTION**

FIG. 1 is a front, right perspective view of a chamfer strip showing my new design;

FIG. 2 is a front view thereof;

FIG. 3 is a back view thereof;

FIG. 4 is a right side view thereof;

FIG. 5 is a left side view thereof;

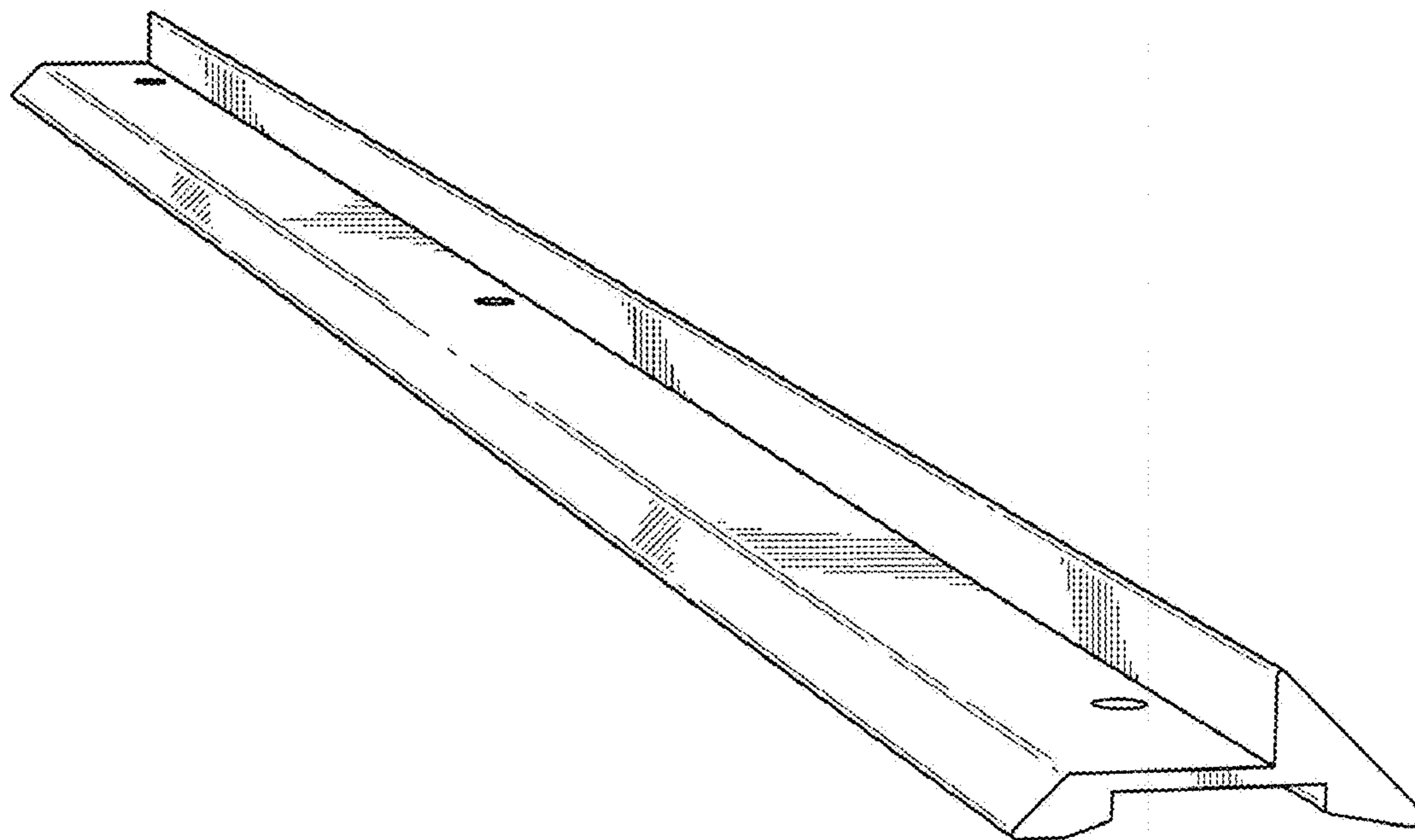
FIG. 6 is a bottom view thereof; and,

FIG. 7 is a top view thereof.

The chamfer strip can be adapted to a top of a concrete mold.

The holes allow nails and screws to fix the chamfer strip to a concrete mold therethrough.

**1 Claim, 3 Drawing Sheets**



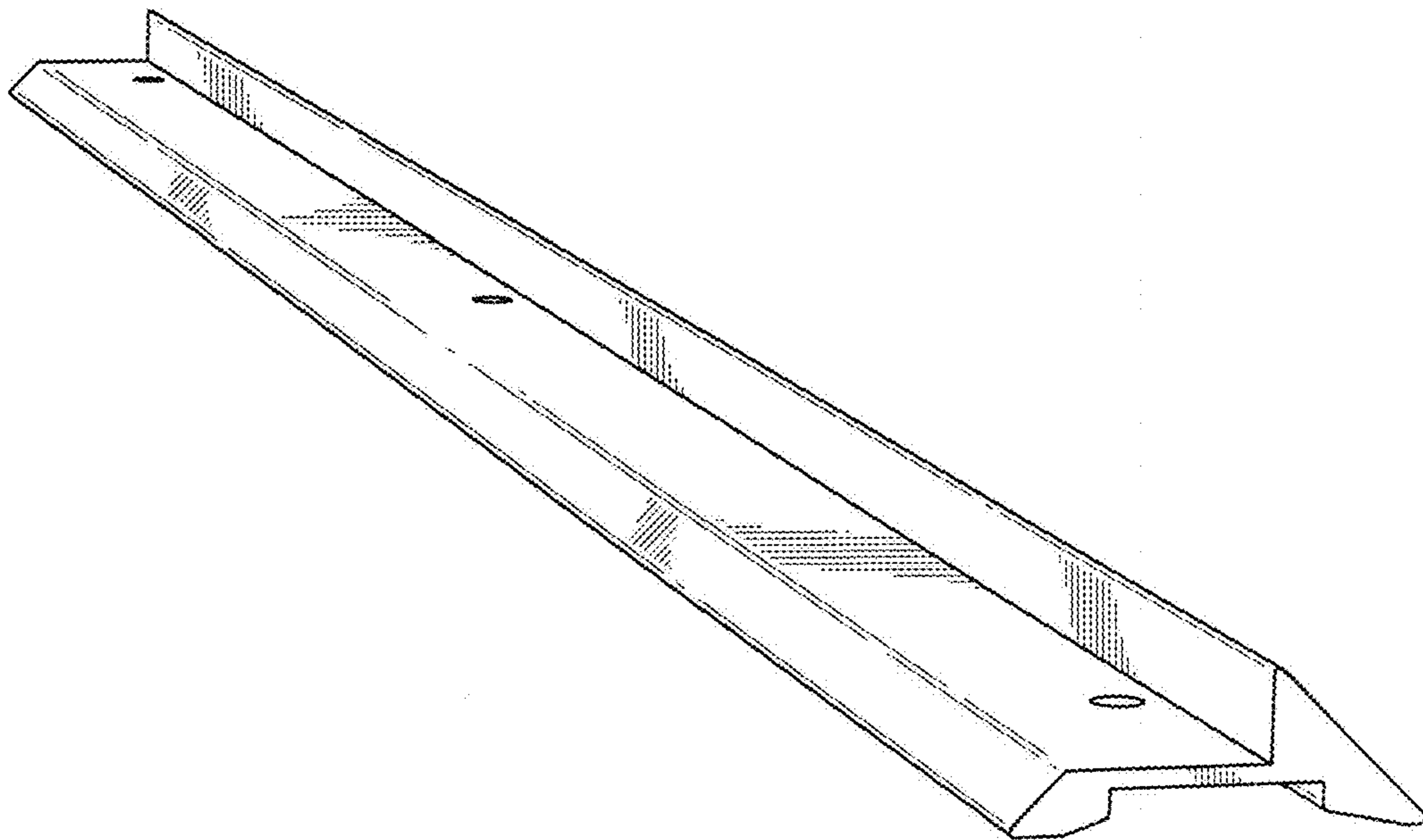


FIG. 1



FIG. 2



FIG. 3

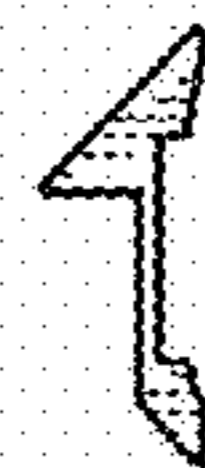


FIG. 4

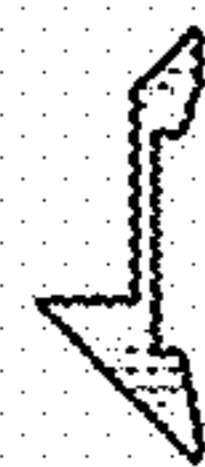


FIG. 5

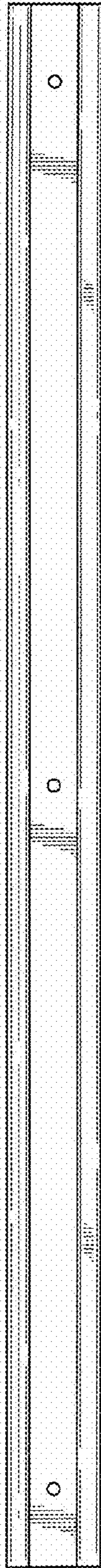


FIG. 6

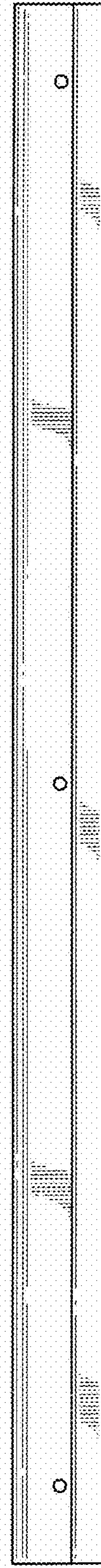


FIG. 7