



US00D644751S

(12) **United States Design Patent**  
**Martin et al.**

(10) **Patent No.:** **US D644,751 S**

(45) **Date of Patent:** **\*\* Sep. 6, 2011**

(54) **COMBINED CEILING AND WALL PANEL**

(75) Inventors: **Guillaume Martin**, Rochetoirin (FR);  
**Michael Damen**, Rochetoirin (FR)

(73) Assignee: **3form, Inc.**, Salt Lake City, UT (US)

(\*\*) Term: **14 Years**

(21) Appl. No.: **29/377,232**

(22) Filed: **Oct. 19, 2010**

(51) **LOC (9) Cl.** ..... **25-01**

(52) **U.S. Cl.** ..... **D25/138**

(58) **Field of Classification Search** ..... D25/138,  
D25/157, 150, 58; 52/222, 220.6, 236.1,  
52/313, 390, 506.01, 506.06, 506.08, 22,  
52/506.07; 428/51, 52, 106  
See application file for complete search history.

(56) **References Cited**

**U.S. PATENT DOCUMENTS**

D244,547 S \* 5/1977 Tellman et al. .... D25/150  
D373,831 S \* 9/1996 Lechleiter et al. .... D25/58  
6,807,785 B2 \* 10/2004 Lynch et al. .... 52/506.06  
6,834,467 B2 \* 12/2004 Gulbrandsen et al. .... 52/506.07  
D513,537 S \* 1/2006 Gulbrandsen ..... D25/150

D533,284 S \* 12/2006 Bledsoe et al. .... D25/138  
7,406,802 B2 \* 8/2008 Stackenwalt et al. .... 52/222  
D585,571 S \* 1/2009 Zeilinger et al. .... D25/138  
D612,066 S \* 3/2010 Waters ..... D25/58  
7,681,370 B2 \* 3/2010 Waters et al. .... 52/506.08

\* cited by examiner

*Primary Examiner* — Doris Clark

(74) *Attorney, Agent, or Firm* — Workman Nydegger

(57) **CLAIM**

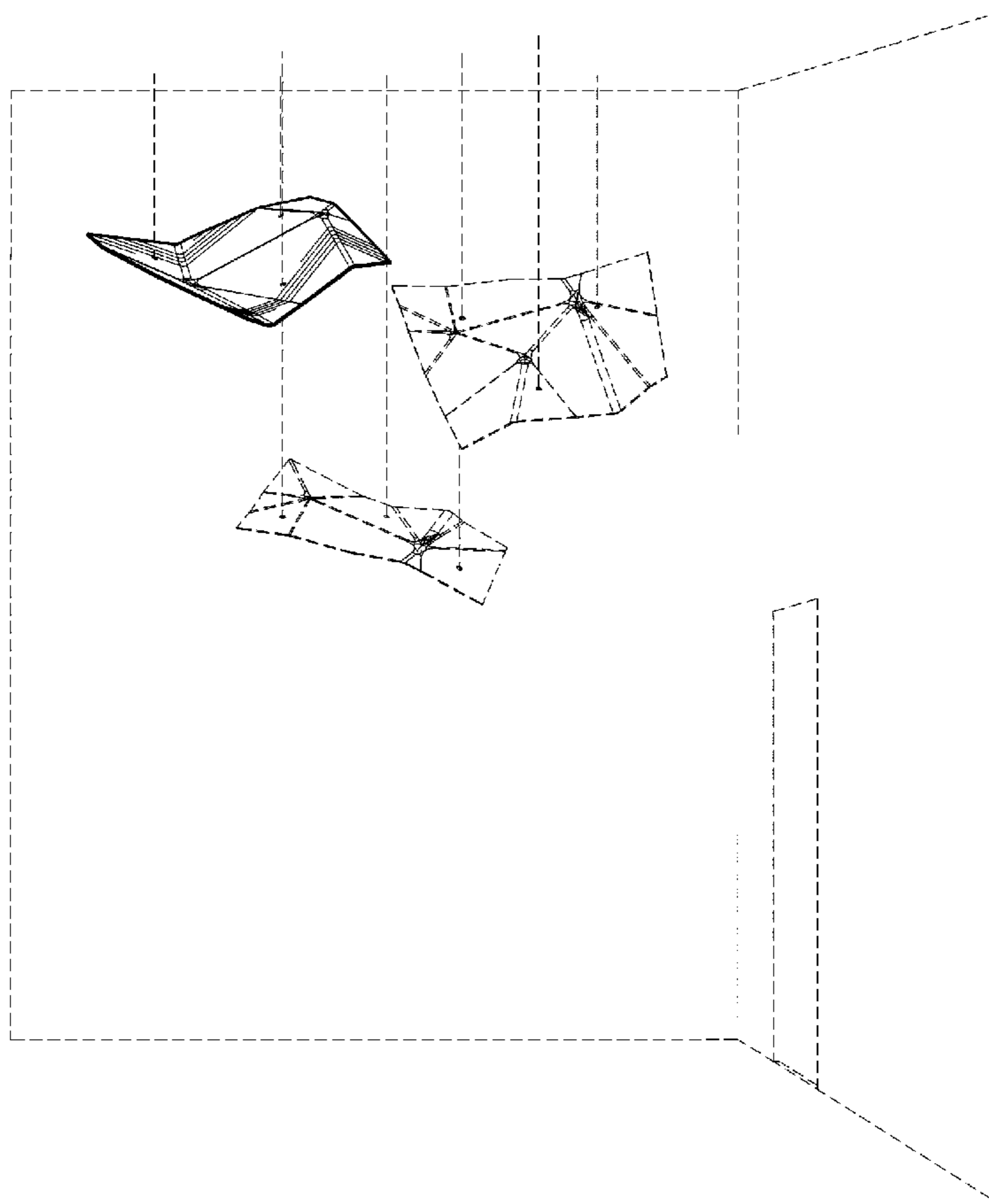
We claim the ornamental design for a combined ceiling and wall panel, as shown and described.

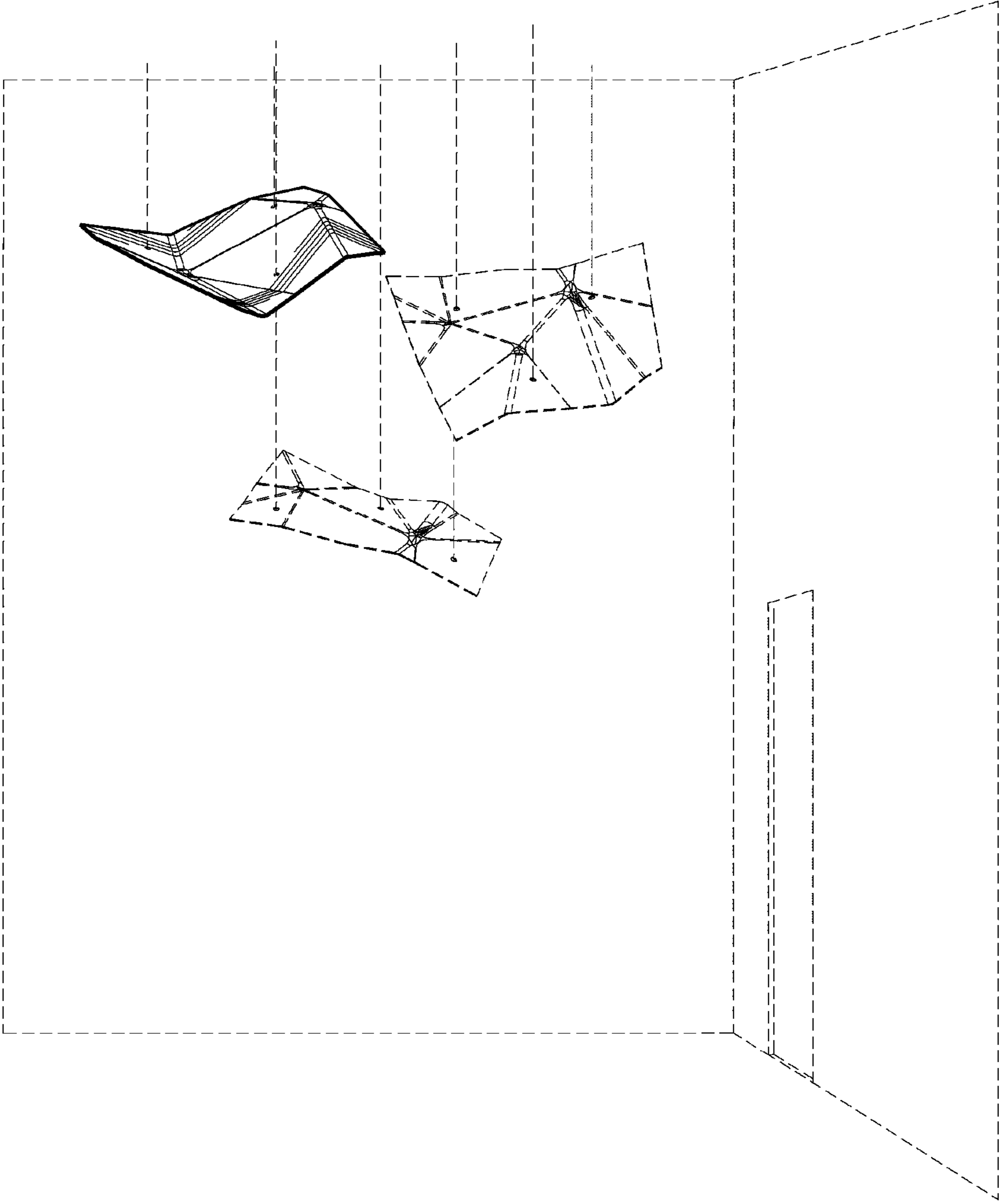
**DESCRIPTION**

FIG. 1 is a side perspective view of an Alta medium II design as used in a ceiling structure in an exemplary environment; FIG. 2 is a top perspective view thereof; FIG. 3 is a top plan view thereof; FIG. 4 is a left elevational view thereof; FIG. 5 is right elevational view thereof; FIG. 6 is a front elevational view thereof; FIG. 7 is a front elevational view thereof; and, FIG. 8 is a bottom plan view thereof.

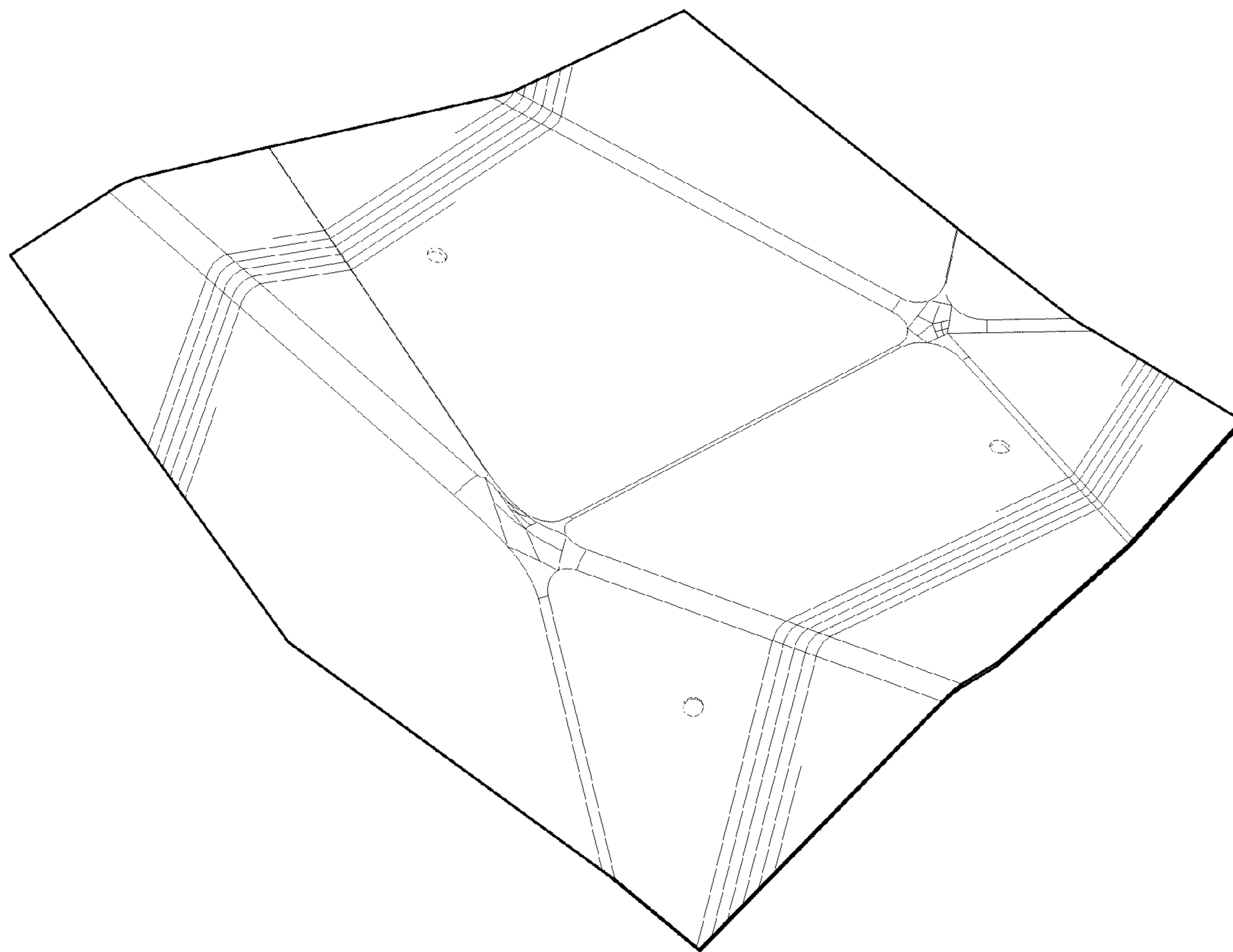
The broken lines included in the drawings are for illustrative purposes and form no part of the claimed design.

**1 Claim, 4 Drawing Sheets**

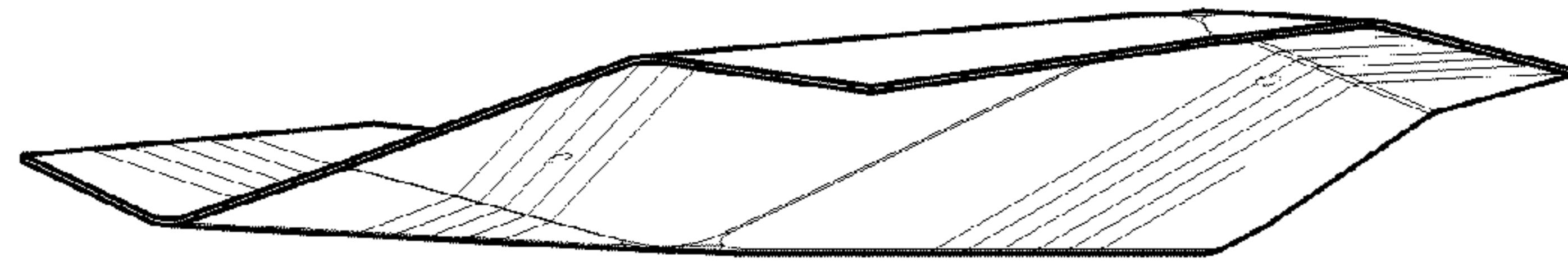




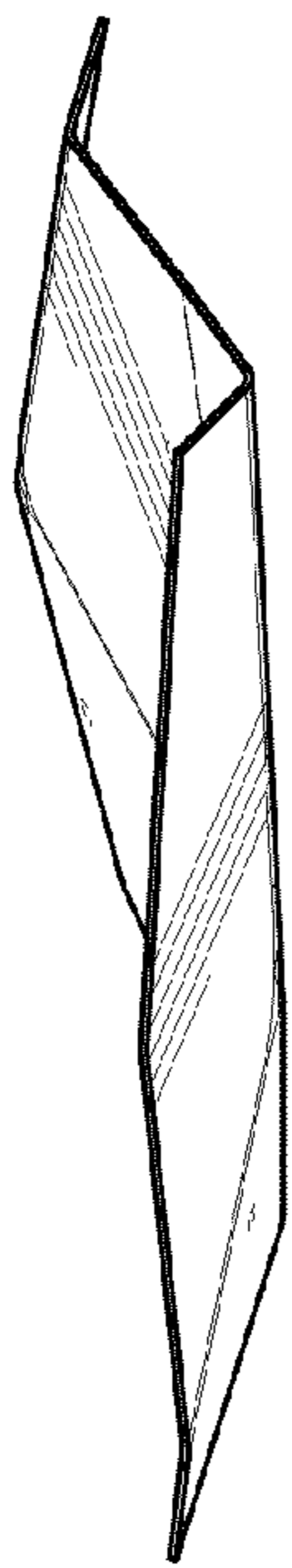
**Fig. 1**



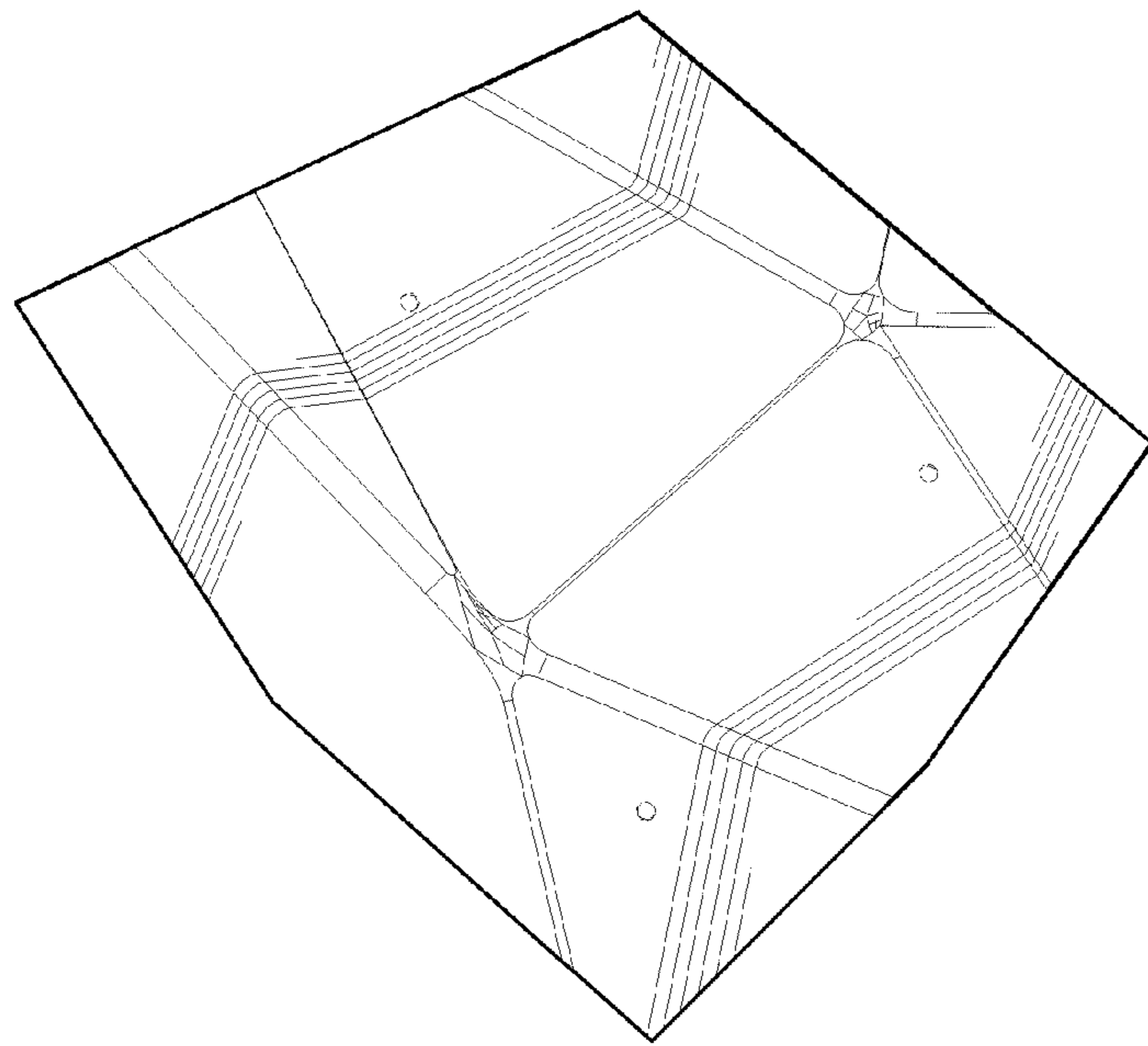
**Fig. 2**



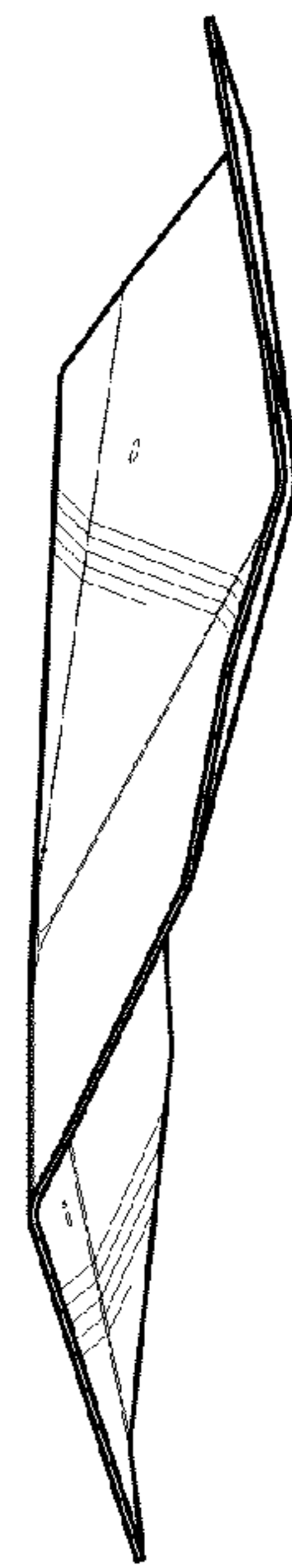
**Fig. 6**



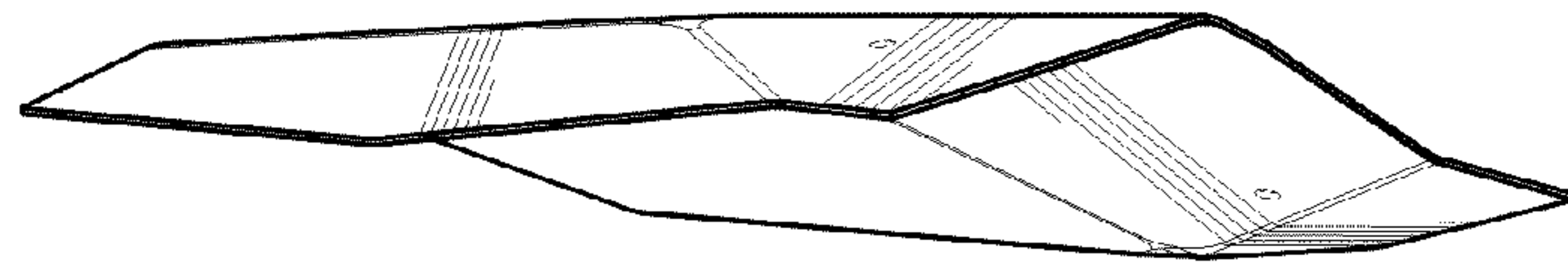
**Fig. 4**



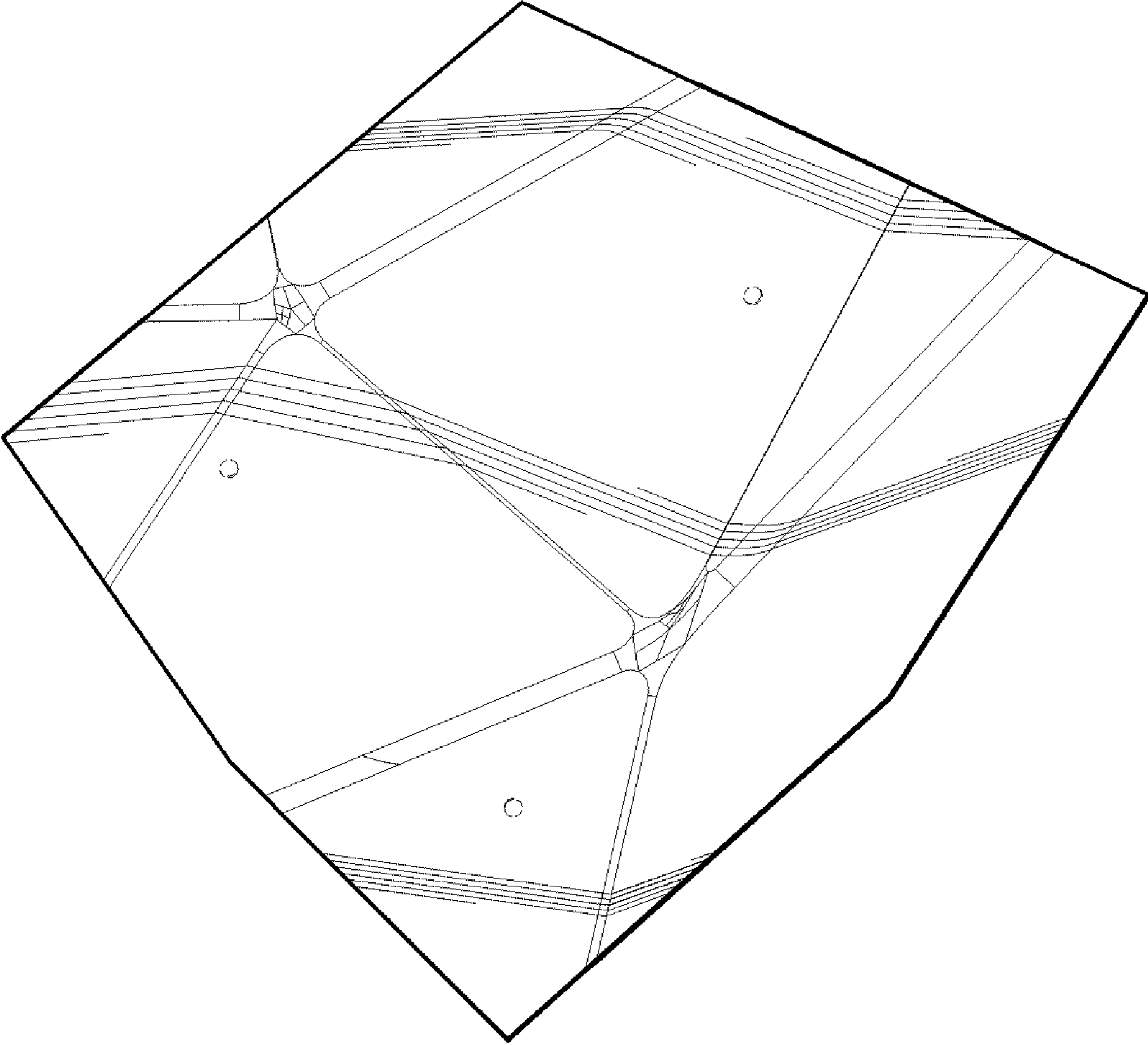
**Fig. 3**



**Fig. 5**



**Fig. 7**



**Fig. 8**