



US00D644743S

(12) **United States Design Patent**
Lopez

(10) **Patent No.:** **US D644,743 S**

(45) **Date of Patent:** **** Sep. 6, 2011**

(54) **STEP RE-FACER**

(76) Inventor: **Michael Lopez**, Point Pleasant, NJ (US)

(**) Term: **14 Years**

(21) Appl. No.: **29/346,161**

(22) Filed: **Oct. 28, 2009**

Related U.S. Application Data

(63) Continuation of application No. 12/113,313, filed on May 1, 2008, now abandoned.

(51) **LOC (9) Cl.** **25-04**

(52) **U.S. Cl.** **D25/69**

(58) **Field of Classification Search** D25/69,
D25/68, 62; 52/182, 184

See application file for complete search history.

(56) **References Cited**

U.S. PATENT DOCUMENTS

6,088,977	A *	7/2000	Lawrence	52/182
D506,271	S *	6/2005	Westby et al.	D25/69
D519,648	S *	4/2006	Enersen	D25/69
7,621,236	B2 *	11/2009	Steffey et al.	119/847

* cited by examiner

Primary Examiner — Doris Clark

(57) **CLAIM**

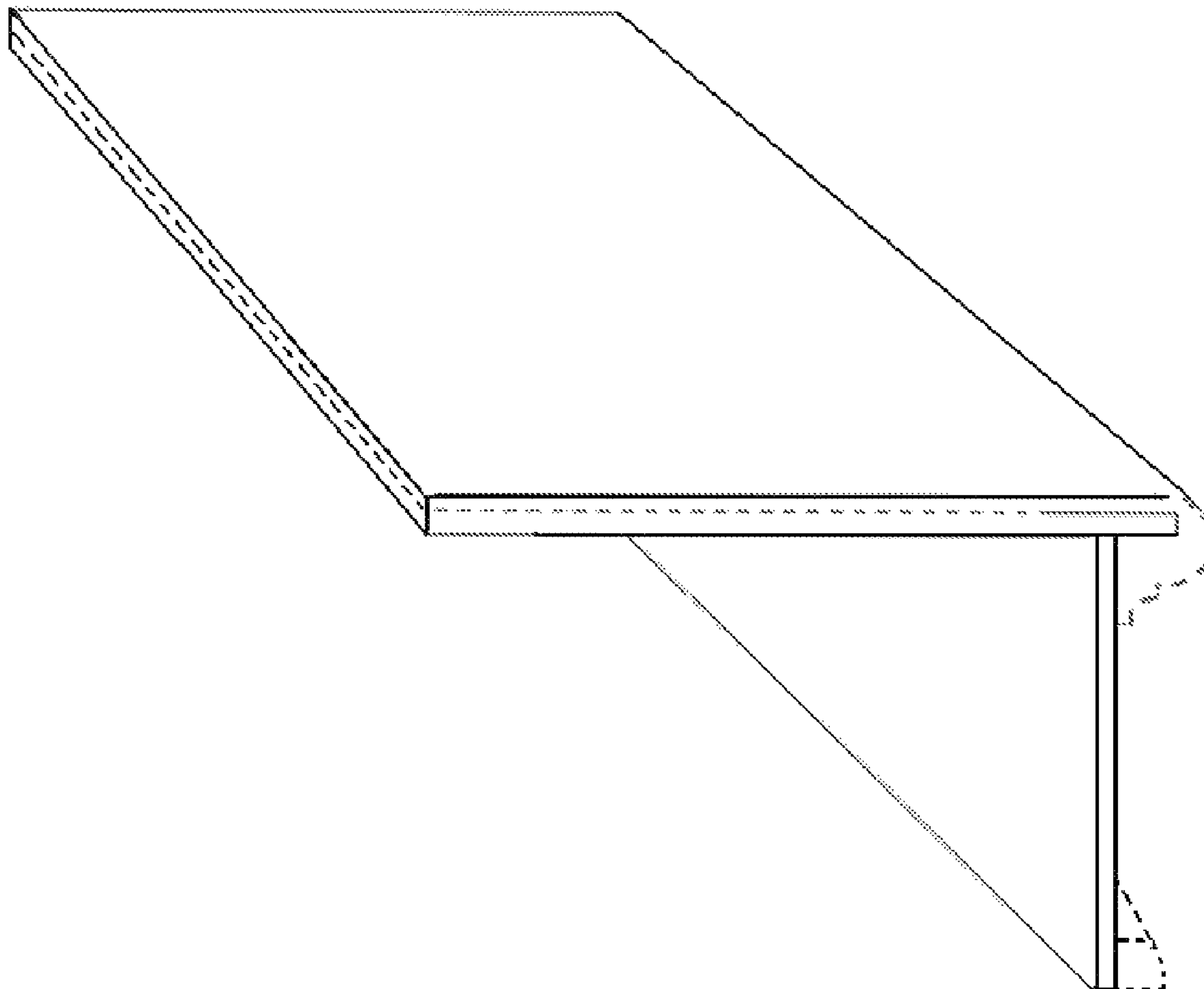
I claim the ornamental design for a step re-facer, as shown and described.

DESCRIPTION

FIG. 1 is a perspective view of the step re-facer with dashed lines representing environmental aspects only; and, FIG. 2 is a close-up side view of a featured portion of the step re-facer with dashed lines representing environmental aspects only.

The invention applied for is intended for use to re-face a single stair step or plurality of steps.

1 Claim, 2 Drawing Sheets



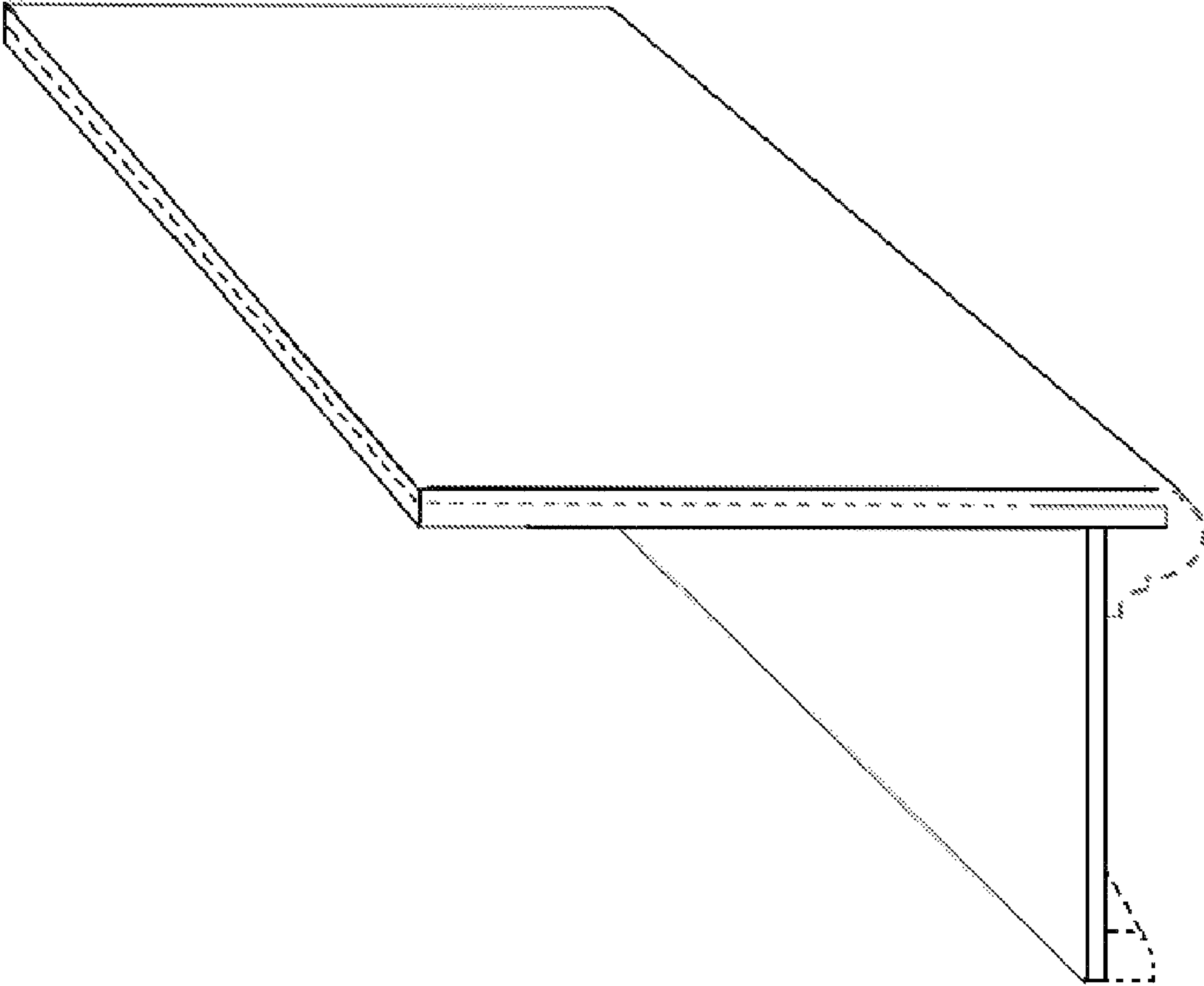


FIGURE 1

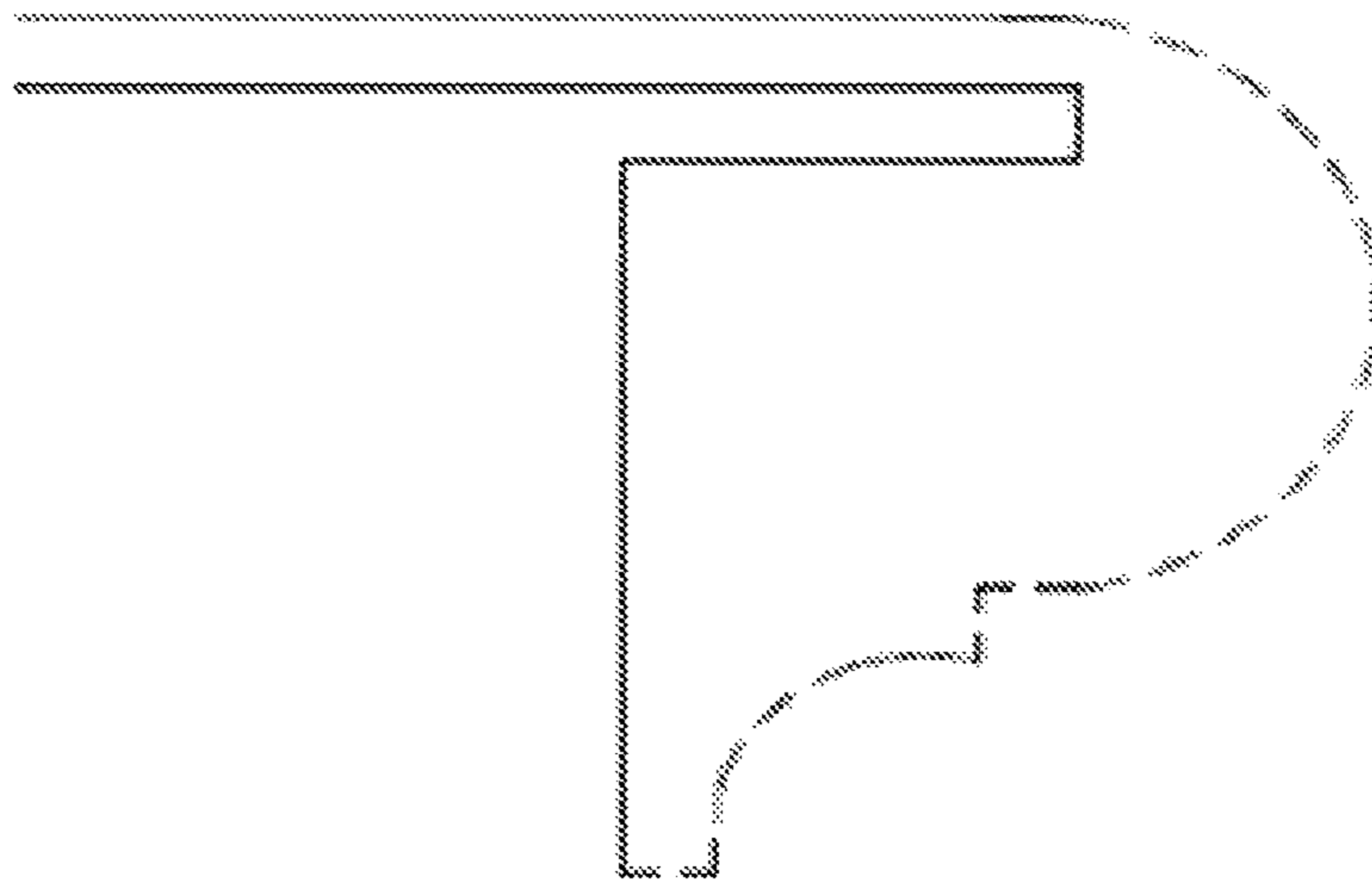


FIGURE 2