



US00D644742S

(12) **United States Design Patent**
Rivera, Jr. et al.

(10) **Patent No.:** **US D644,742 S**

(45) **Date of Patent:** **** Sep. 6, 2011**

(54) **CHORAL RISER**

5,605,025 A * 2/1997 Paddock 52/741.3
* cited by examiner

(75) Inventors: **Jeremias C. Rivera, Jr.**, Elmhurst, IL (US); **Doss Samikkannu**, Des Plaines, IL (US); **Gregory Hanusiak**, Chicago, IL (US); **Zelio Ferrarini**, Oswego, IL (US)

Primary Examiner — Doris Clark
(74) *Attorney, Agent, or Firm* — Ryndak & Suri LLP

(73) Assignee: **AmTab Manufacturing Corporation**, Aurora, IL (US)

(57) **CLAIM**
We claim the ornamental design for a choral riser, as shown and described.

(**) Term: **14 Years**

DESCRIPTION

(21) Appl. No.: **29/372,435**

FIG. 1 is a perspective view of a choral riser depicting the new design;
FIG. 2 is a front elevation view of the choral riser depicted in FIG. 1;
FIG. 3 is a rear elevation view of the choral riser depicted in FIG. 1;
FIG. 4 is a right side elevation view of the choral riser depicted in FIG. 1;
FIG. 5 is a left side elevation view of the choral riser depicted in FIG. 1;
FIG. 6 is a top plan view of the choral riser depicted in FIG. 1;
FIG. 7 is a bottom plan view of the choral riser depicted in FIG. 1; and,
FIG. 8 is a perspective view of a folded configuration of the choral riser depicted in FIG. 1.
Any broken lines showing in the drawings are for illustrative purposes only and form no part of the claimed design.

(22) Filed: **Nov. 18, 2010**

(51) **LOC (9) Cl.** **25-04**

(52) **U.S. Cl.** **D25/62**

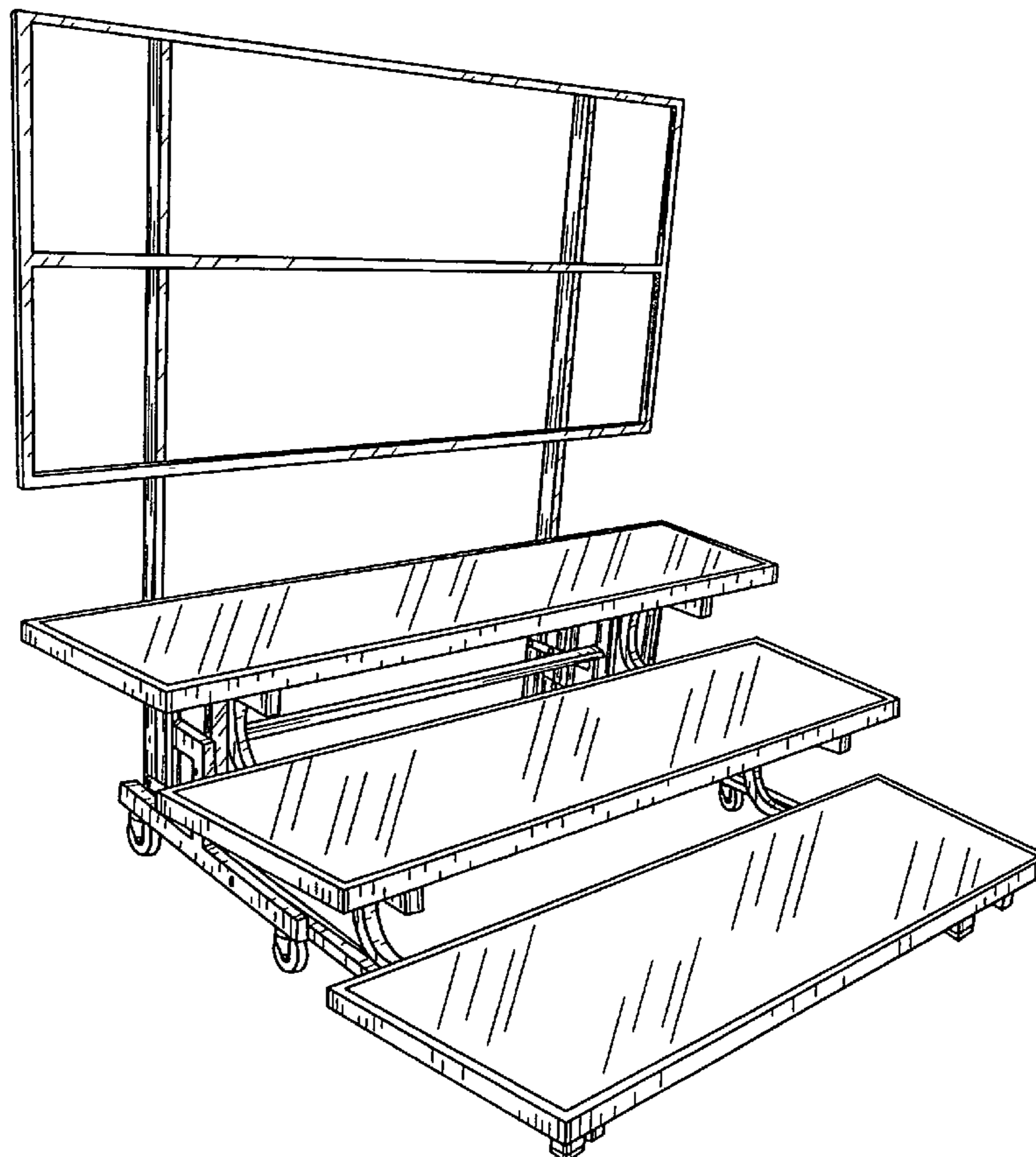
(58) **Field of Classification Search** D25/62;
182/141, 132; 52/188, 190, 191, 8, 9
See application file for complete search history.

(56) **References Cited**

U.S. PATENT DOCUMENTS

3,117,350 A * 1/1964 Margadant 52/8
4,631,874 A * 12/1986 Griffin, Jr. 52/8
D307,186 S * 4/1990 Rogers et al. D25/62

1 Claim, 5 Drawing Sheets



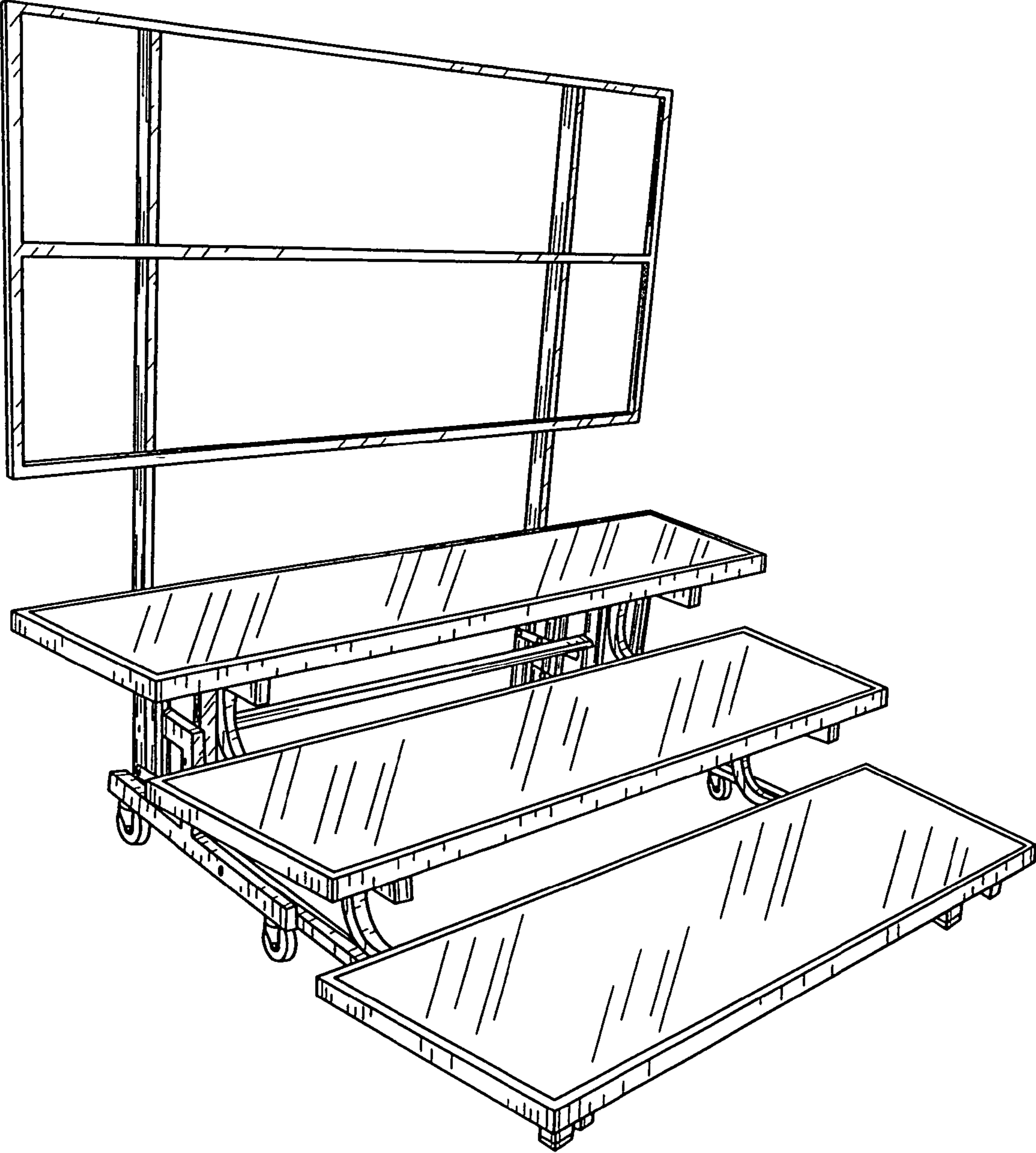


Fig. 1

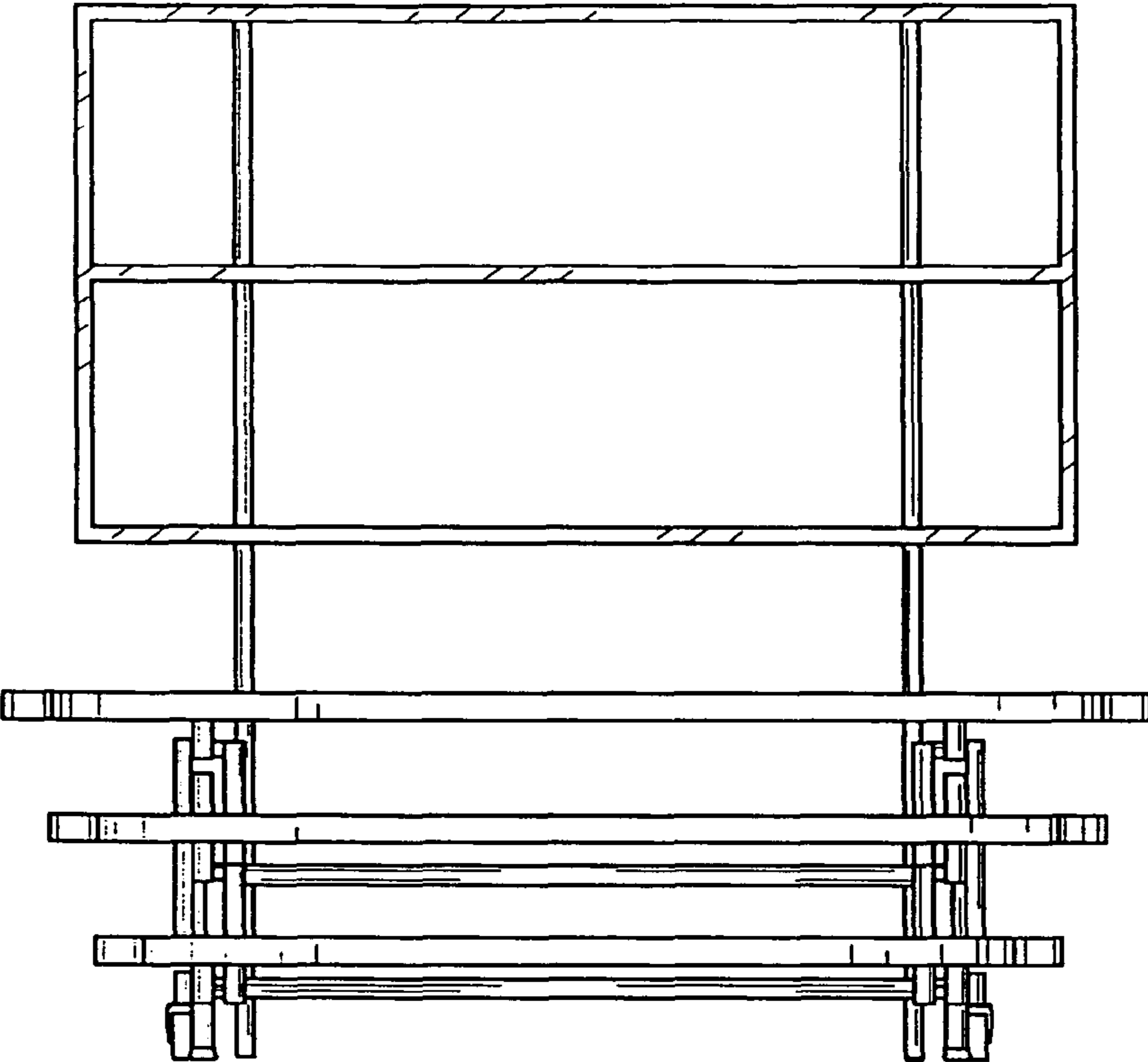


Fig. 2

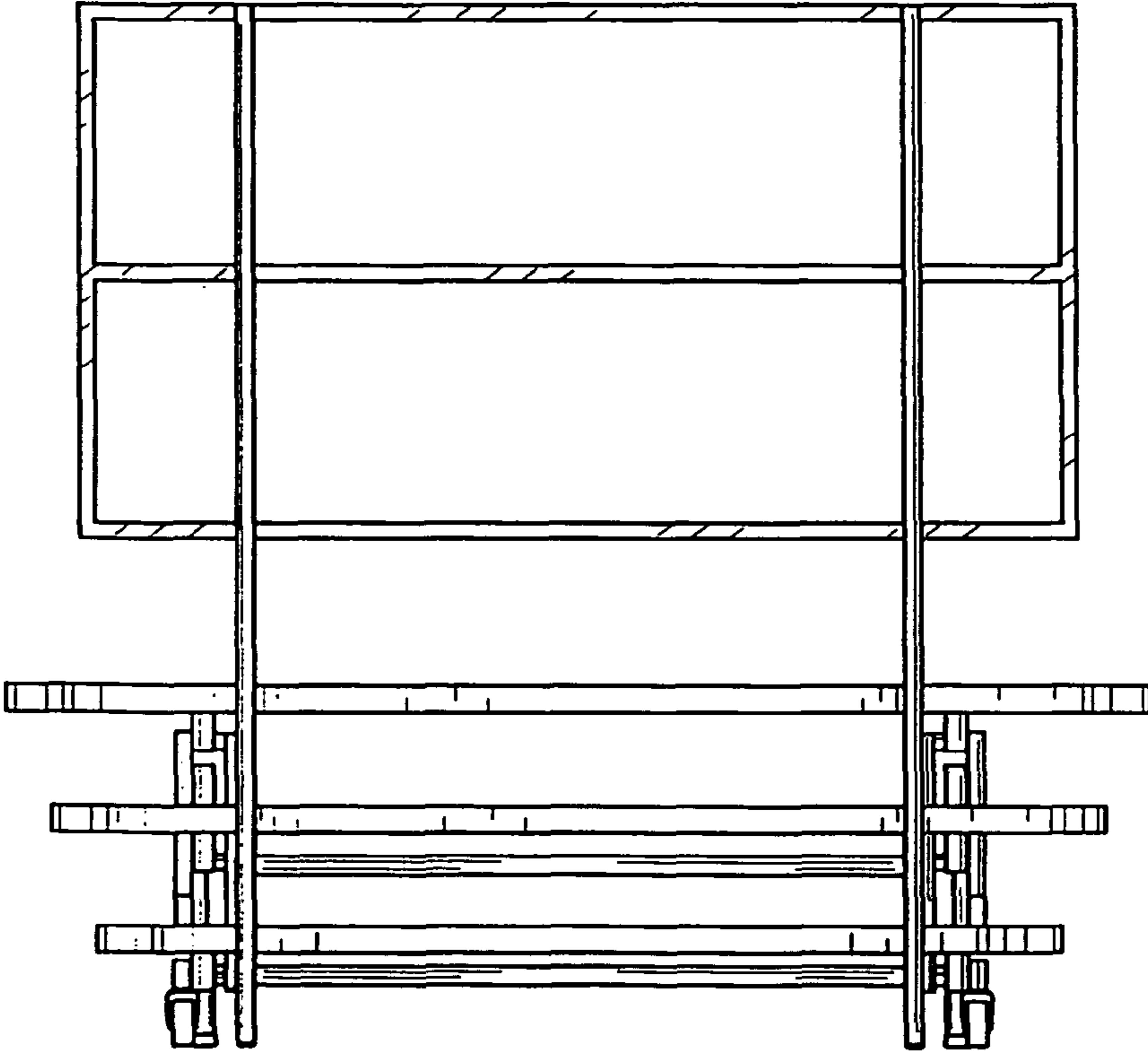
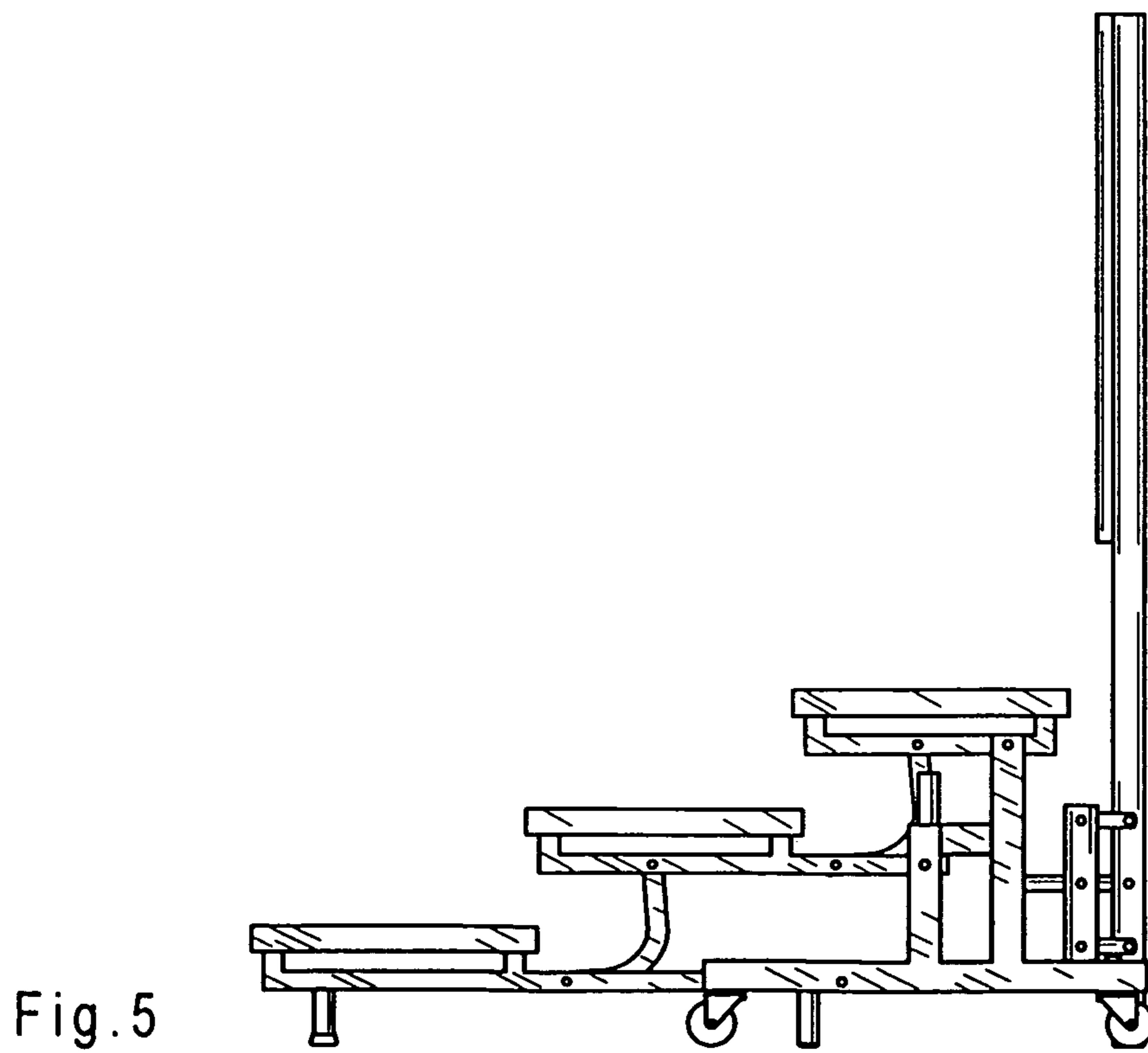
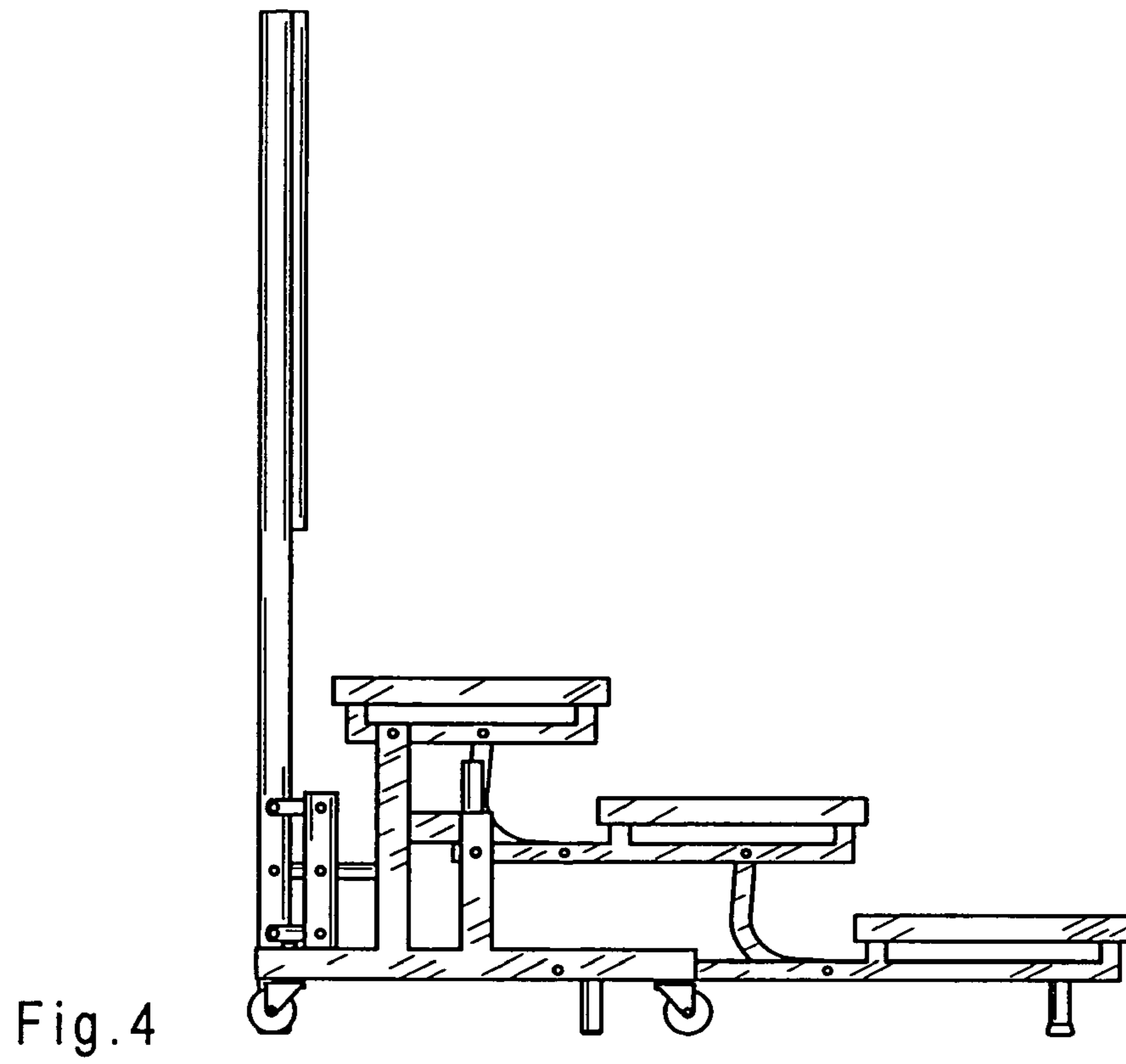


Fig. 3



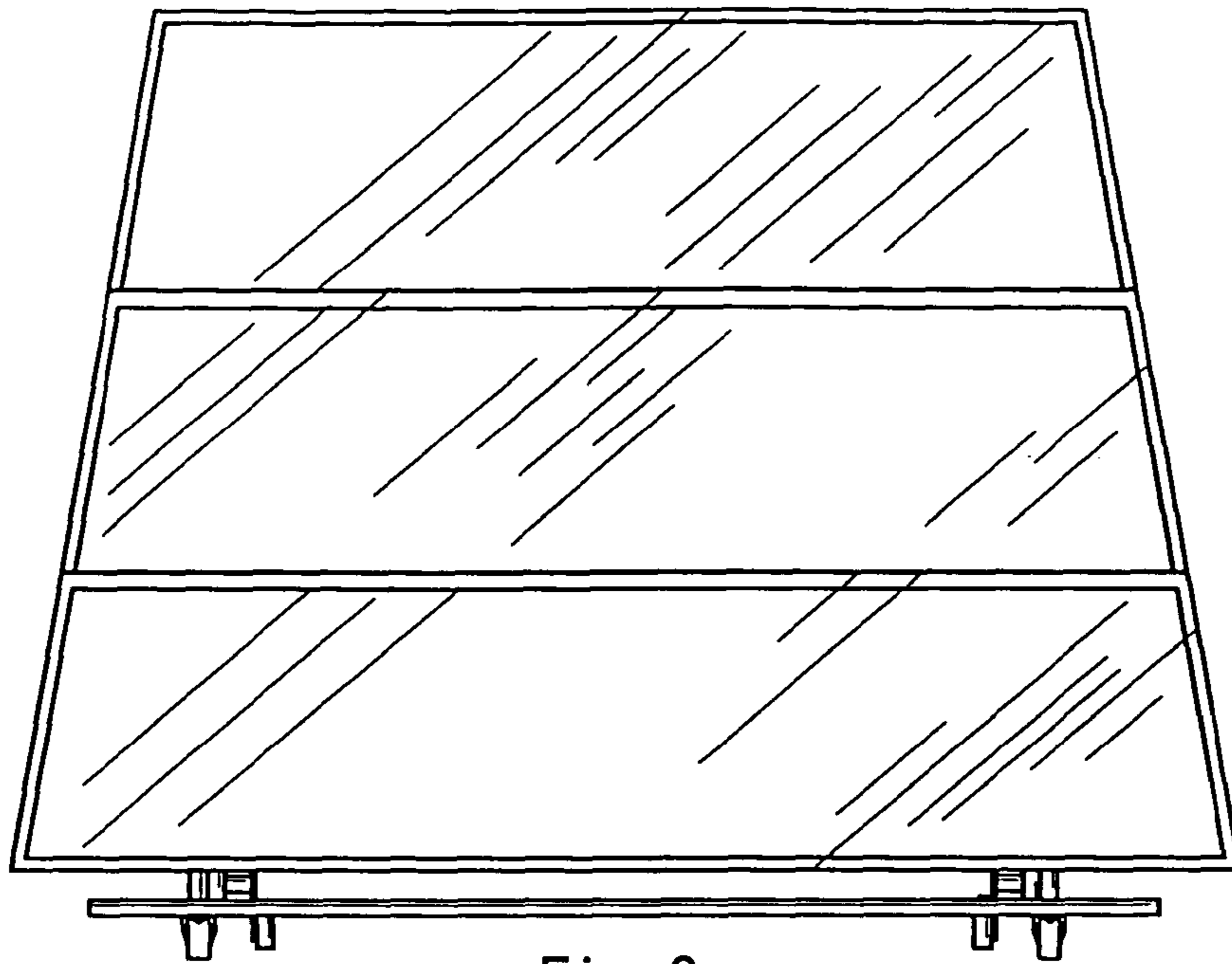


Fig. 6

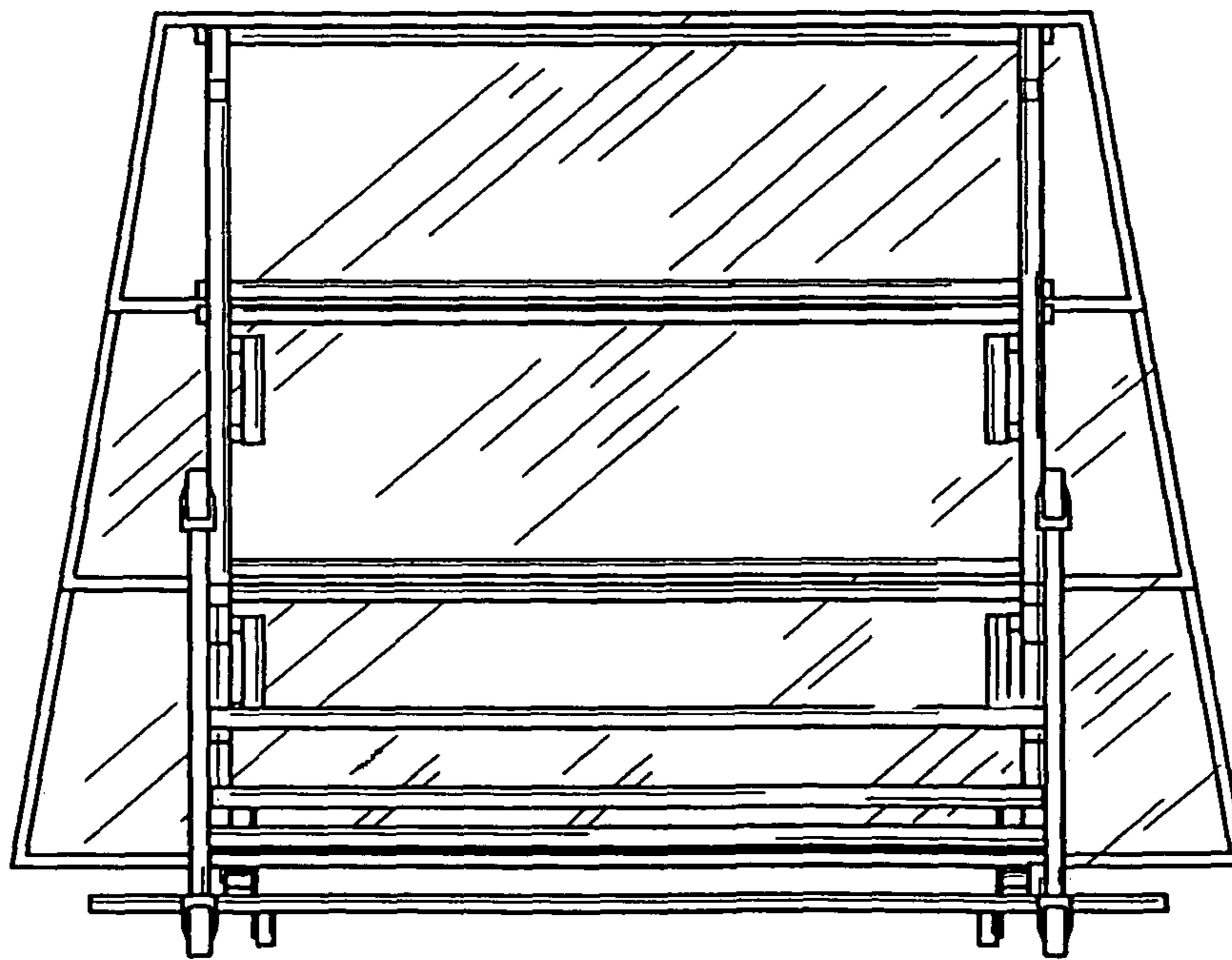


Fig. 7

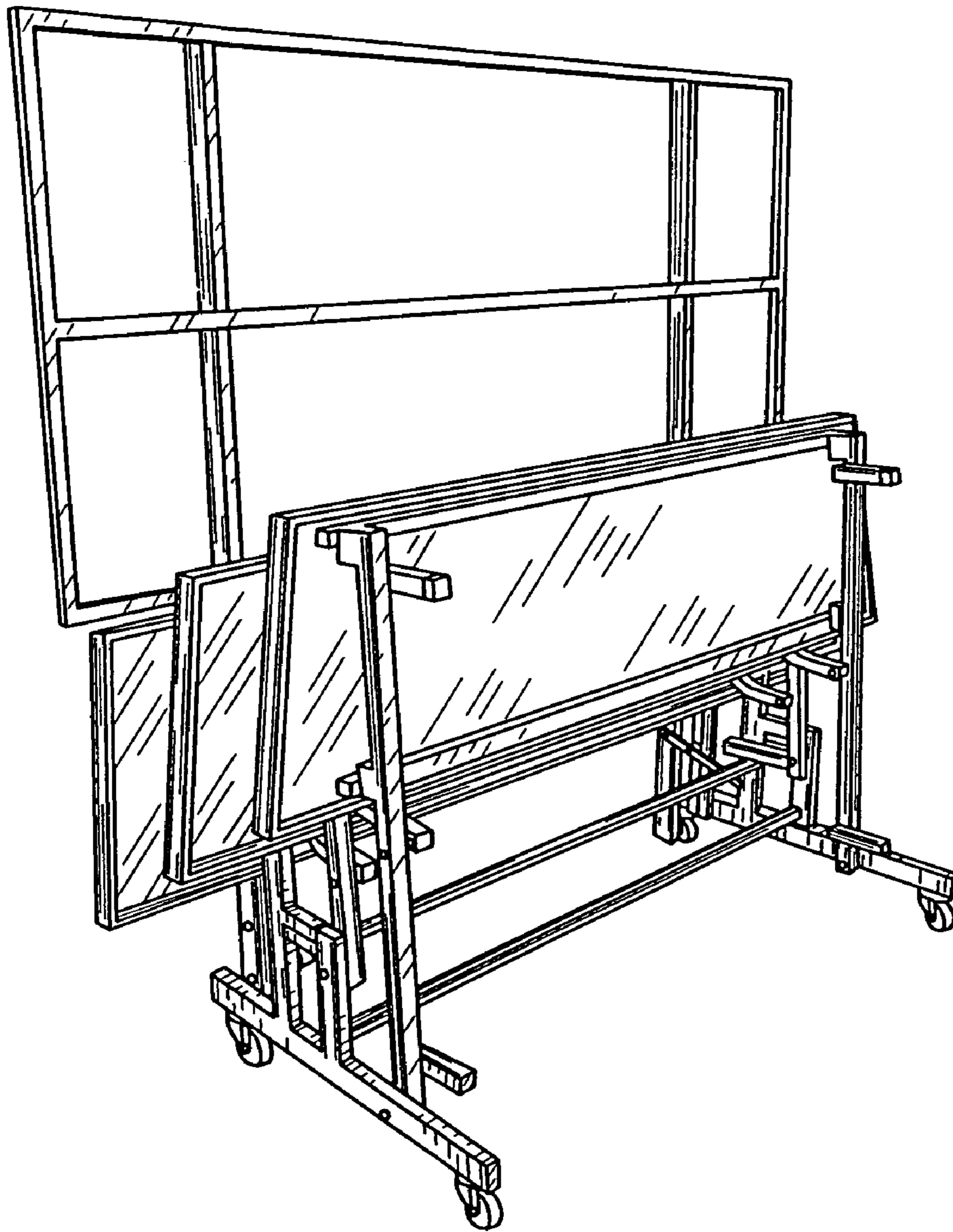


Fig. 8