

US00D644741S

(12) **United States Design Patent**
Sattler et al.

(10) **Patent No.:** **US D644,741 S**
(45) **Date of Patent:** **** Sep. 6, 2011**

- (54) **REAGENT HOLDER TUBE**
- (75) Inventors: **Stephan Sattler**, Starnberg (DE);
Reinhold Kraemer, Peissenberg (DE)
- (73) Assignee: **Roche Diagnostics Operations, Inc.**,
Indianapolis, IN (US)
- (**) Term: **14 Years**
- (21) Appl. No.: **29/382,948**
- (22) Filed: **Jan. 10, 2011**

D380,555	S	7/1997	Kurosaki et al.
5,735,418	A	4/1998	Erb et al.
D400,263	S	10/1998	Shugart
D401,700	S	11/1998	Gray et al.
5,862,934	A	1/1999	Sattler et al.
6,372,293	B1	4/2002	Mathus et al.
D463,864	S *	10/2002	Treadwell et al. D24/224
6,511,634	B1	1/2003	Bradshaw et al.
6,827,904	B2	12/2004	Kitagawa
7,018,587	B2	3/2006	Heath et al.
D616,093	S *	5/2010	Kawamura D24/130
7,731,903	B2	6/2010	Sattler et al.
2002/0073647	A1	6/2002	Heath et al.
2003/0044323	A1	3/2003	Diamond et al.
2005/0142040	A1	6/2005	Hanawa et al.
2010/0080732	A1	4/2010	Mototsu et al.

Related U.S. Application Data

- (62) Division of application No. 29/356,134, filed on Feb. 19, 2010, now Pat. No. Des. 634,441.

Foreign Application Priority Data

- (30) Aug. 19, 2009 (EP) 001 159 404-0029
- Aug. 19, 2009 (EP) 001 159 404-0030

- (51) **LOC (9) Cl.** **24-01**
- (52) **U.S. Cl.** **D24/224**
- (58) **Field of Classification Search** D24/216-232,
D24/130, 169; D10/81; 422/500, 547, 549,
422/556, 557, 558; 435/287.1, 288.1
See application file for complete search history.

References Cited

U.S. PATENT DOCUMENTS

4,487,324	A	12/1984	Ostrowsky
4,713,219	A	12/1987	Gerken et al.
4,849,177	A	7/1989	Jordan
4,956,103	A	9/1990	Jessop et al.
5,145,646	A	9/1992	Tyranski
D342,140	S	12/1993	Sakagami et al.
D342,793	S	12/1993	Balmer
D344,138	S	2/1994	Nagata
5,305,900	A	4/1994	Maguire et al.
D355,260	S	2/1995	Tomasso
5,571,479	A	11/1996	Koch
5,604,101	A	2/1997	Hanley et al.

OTHER PUBLICATIONS

- US Notice of Allowance dated Oct. 19, 2010 pertaining to U.S. Appl. No. 29/356,128.
- US Office Action dated Oct. 20, 2010 pertaining to U.S. Appl. No. 29/356,132.
- US Notice of Allowance dated Feb. 7, 2011 pertaining to U.S. Appl. No. 29/356,132.

* cited by examiner

Primary Examiner — Anhdao Doan
(74) *Attorney, Agent, or Firm* — Dinsmore & Shohl LLP

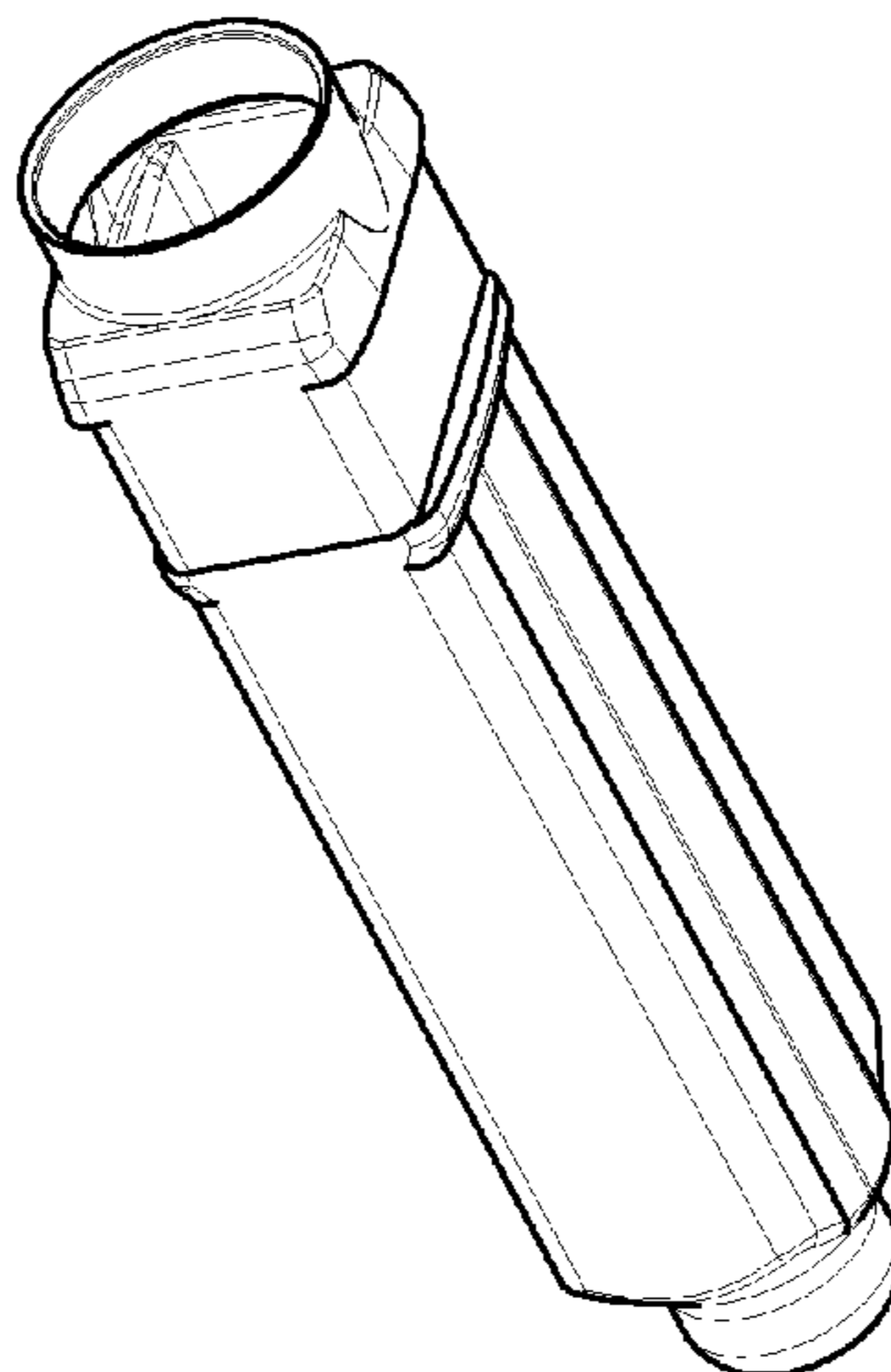
CLAIM

(57) The ornamental design for a reagent holder tube, as shown and described.

DESCRIPTION

FIG. 1 is a bottom perspective view of the reagent holder tube; FIG. 2 is a top perspective view thereof; FIG. 3 is bottom view thereof; FIG. 4 is a right side view thereof; FIG. 5 is a front view thereof; FIG. 6 is a left side view thereof; FIG. 7 is a back view thereof; and, FIG. 8 is a top view thereof.

1 Claim, 2 Drawing Sheets



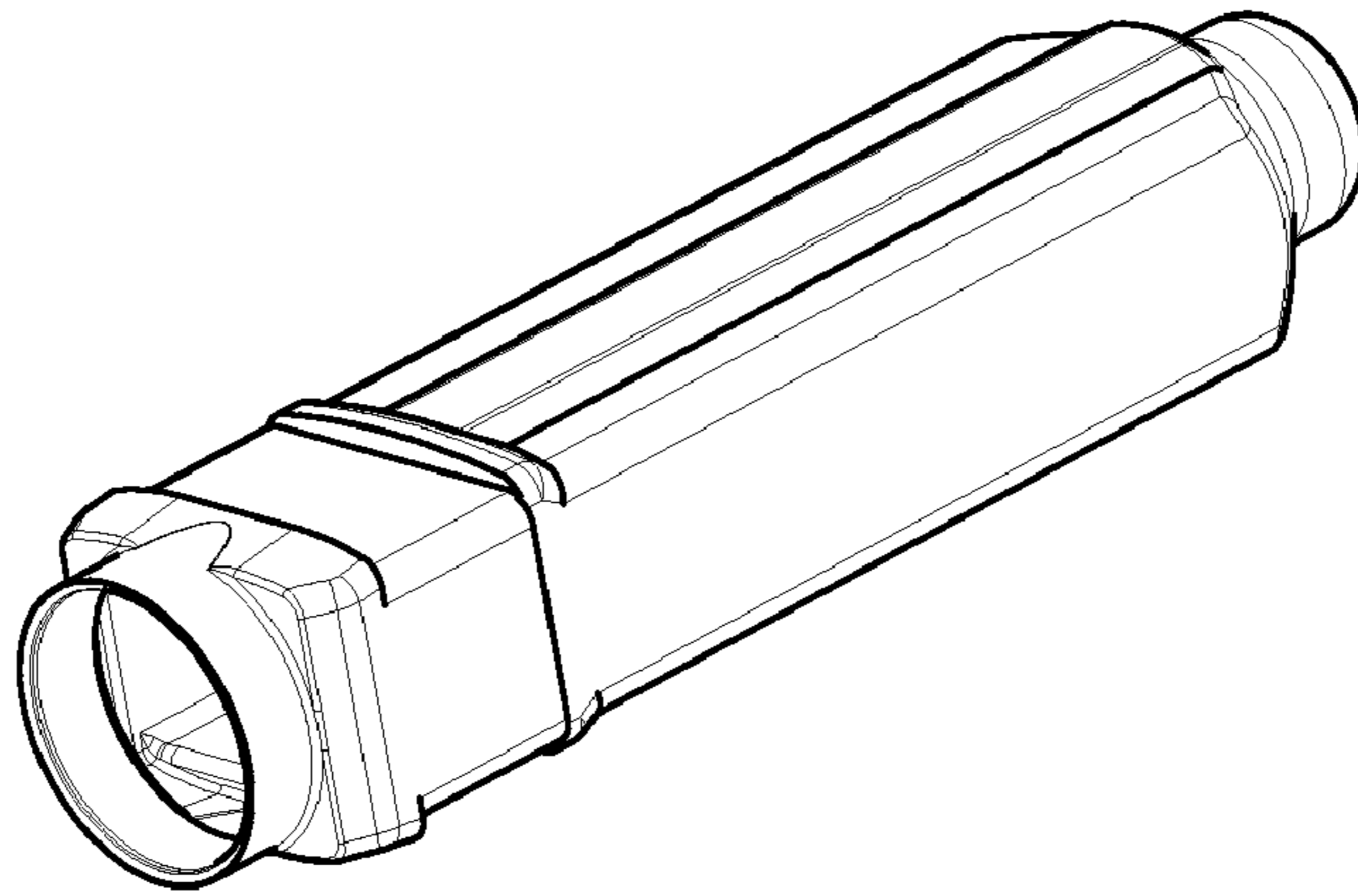


FIG. 2

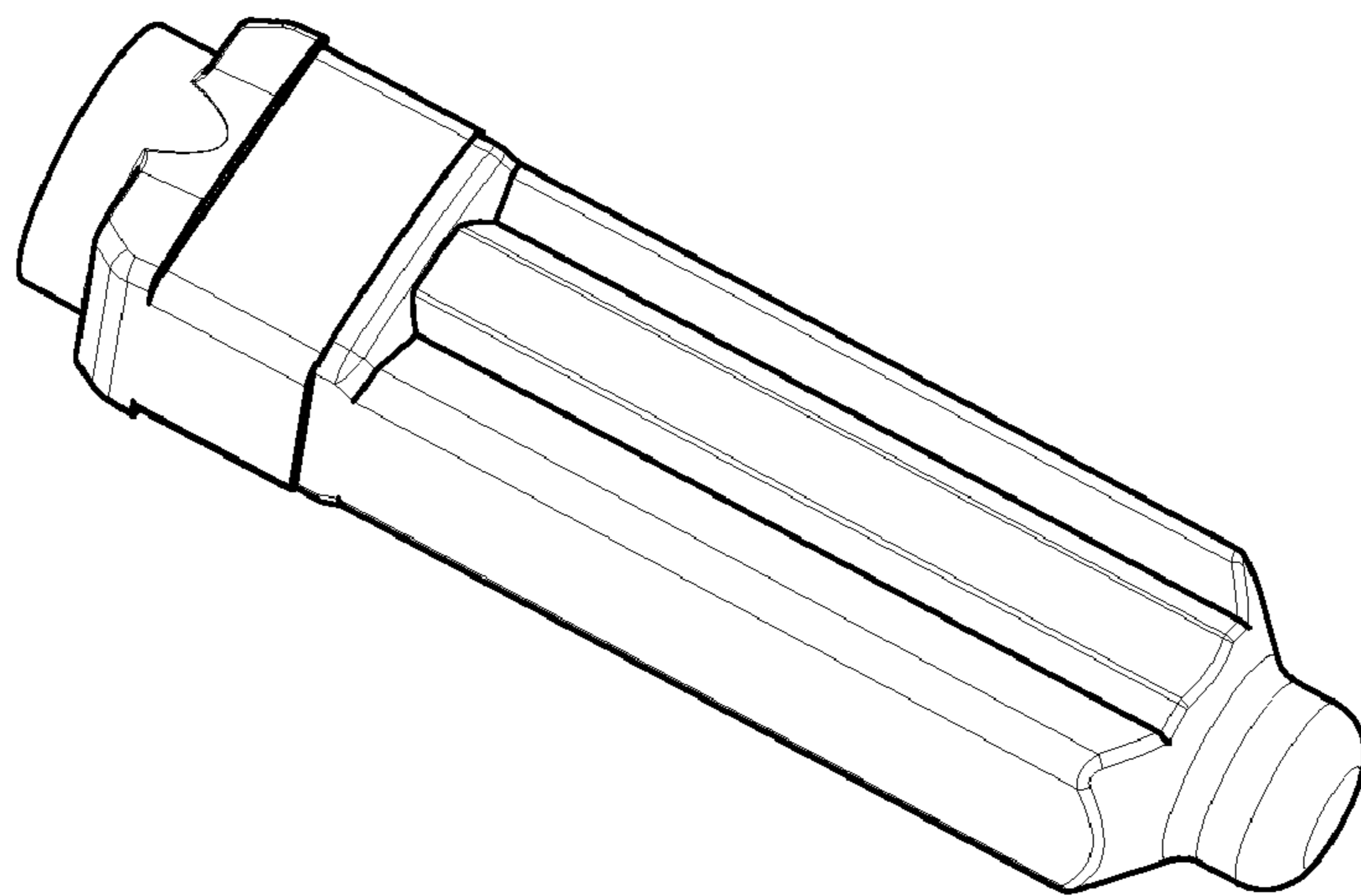


FIG. 1

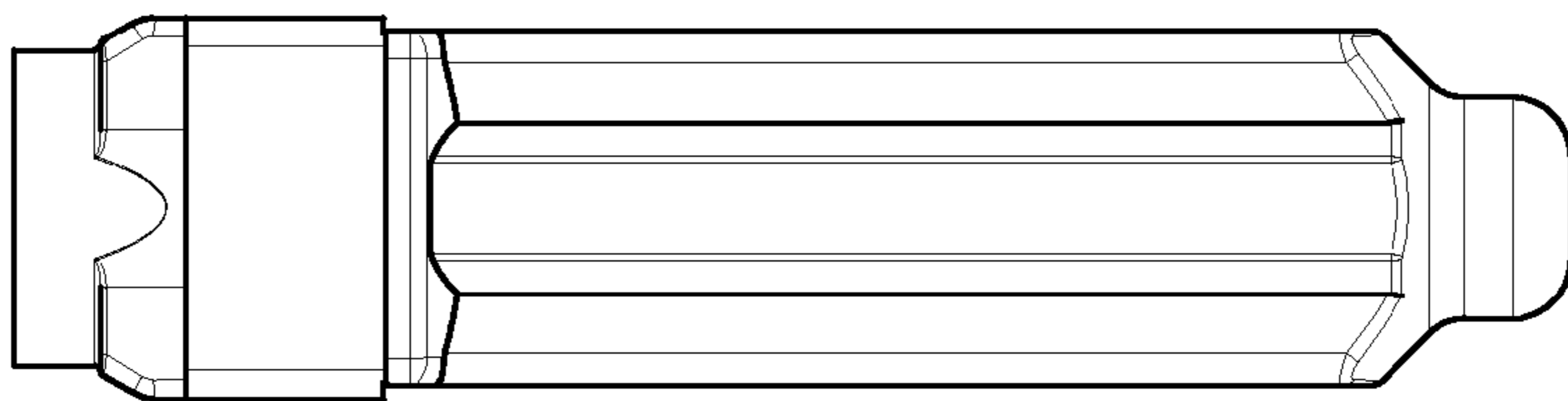


FIG. 7

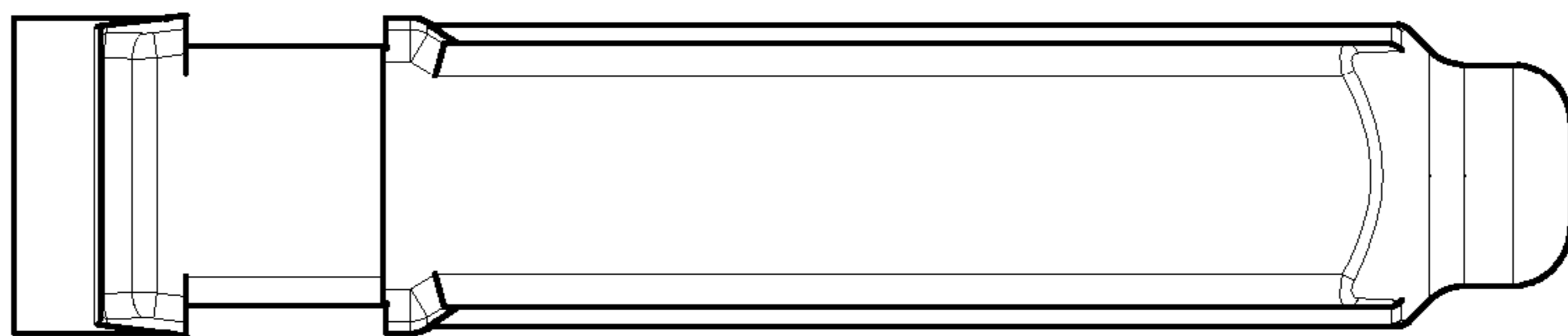


FIG. 6

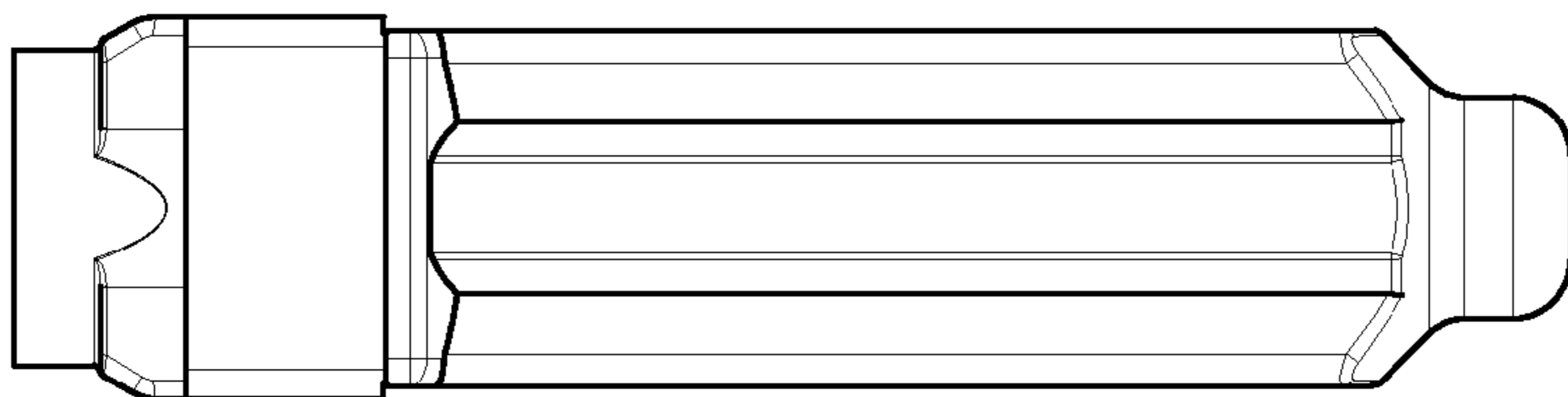


FIG. 5

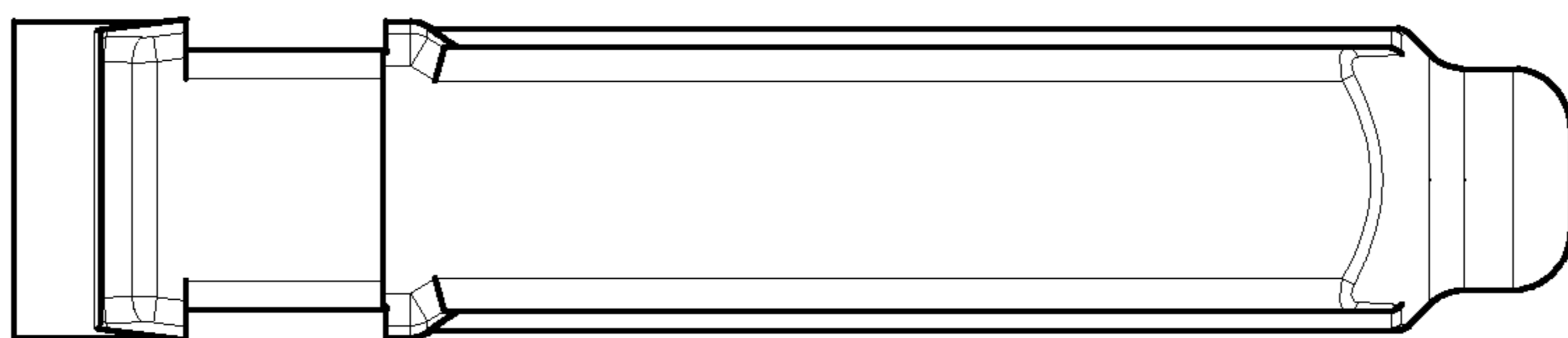


FIG. 4

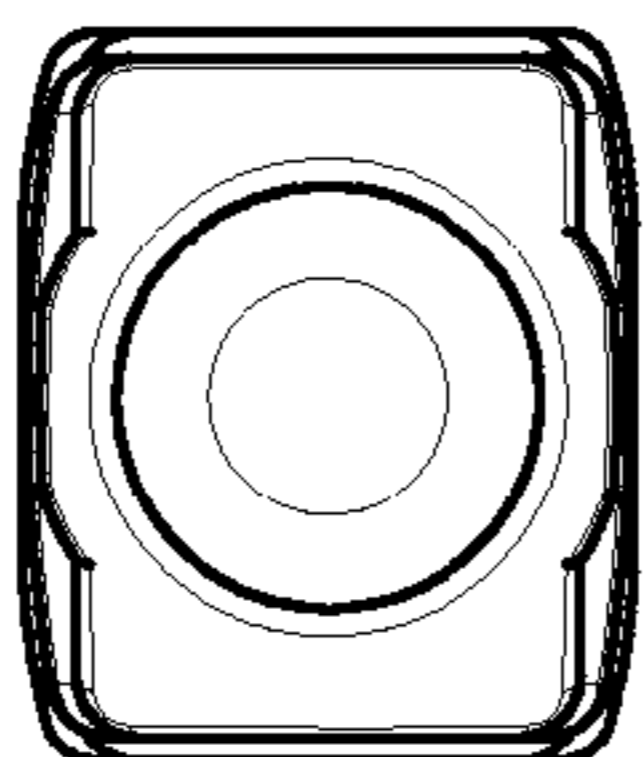


FIG. 3

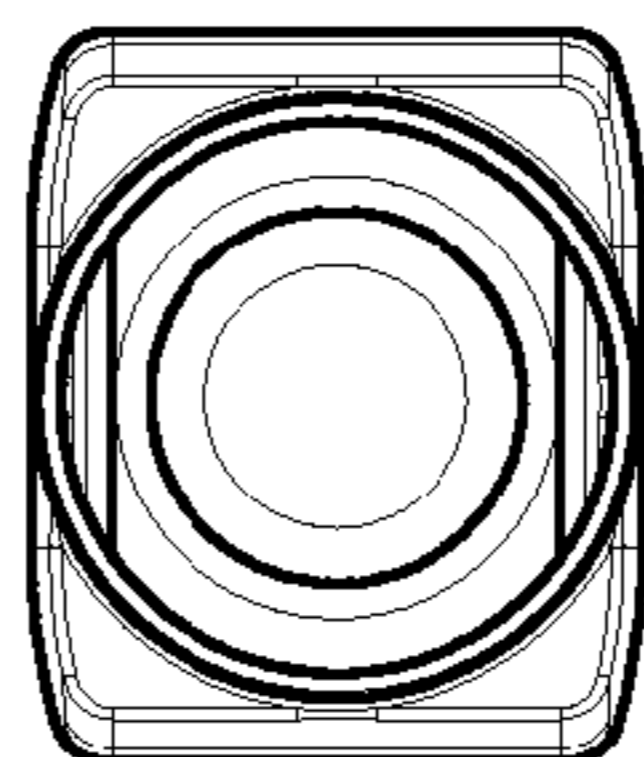


FIG. 8