



US00D644739S

(12) **United States Design Patent**
Belfance et al.

(10) **Patent No.:** **US D644,739 S**

(45) **Date of Patent:** **** Sep. 6, 2011**

(54) **VIAL**

(75) Inventors: **John Belfance**, Phenix City, AL (US);
Ronald Supranowicz, Lenox, MA (US)

(73) Assignee: **CSP Technologies, Inc.**, Auburn, AL
(US)

(**) Term: **14 Years**

(21) Appl. No.: **29/380,884**

(22) Filed: **Dec. 13, 2010**

(51) **LOC (9) Cl.** **24-01**

(52) **U.S. Cl.** **D24/224**

(58) **Field of Classification Search** D24/216–232,
D24/110, 115; D10/81; 422/500, 547, 549,
422/556, 557, 558; 435/287.1, 288.1; D3/203.1,
D3/203.2; D9/420, 529, 549, 503, 504;
215/235–237

See application file for complete search history.

(56) **References Cited**

U.S. PATENT DOCUMENTS

D238,886	S *	2/1976	Goy	D24/224
D263,023	S *	2/1982	Commisso	D9/420
5,012,941	A	5/1991	Abrams		
6,398,067	B1	6/2002	Belfance		
6,705,463	B1	3/2004	Bucholtz		
D491,275	S *	6/2004	Walters et al.	D24/224
6,769,558	B1	8/2004	Bucholtz		
D510,867	S *	10/2005	Uzkan	D9/504
D555,490	S *	11/2007	Liu	D9/549
D574,507	S *	8/2008	Muir et al.	D24/224
7,413,083	B2	8/2008	Belfance		
D589,305	S *	3/2009	Morales	D7/629
D599,032	S	8/2009	Bucholtz		
D599,655	S *	9/2009	Friebe et al.	D9/420
D608,011	S	1/2010	Giraud		
D618,362	S	6/2010	Giraud		
D621,951	S	8/2010	Bucholtz		
D627,081	S	11/2010	Giraud		
7,854,895	B2 *	12/2010	Gallagher et al.	422/553

(Continued)

FOREIGN PATENT DOCUMENTS

WO 0228736 4/2002

(Continued)

Primary Examiner — Anhdao Doan

(57) **CLAIM**

The ornamental design for a vial, as shown and described.

DESCRIPTION

FIG. 1 is a perspective view of a first embodiment of the vial, in a closed state;

FIG. 2 is a perspective view of the vial of FIG. 1, in an opened state;

FIG. 3 is a top plan view of the vial of FIG. 1, in an opened state;

FIG. 4 is a bottom plan view of the vial of FIG. 1, in an opened state;

FIG. 5 is a right side elevation of the vial of FIG. 1, in an opened state;

FIG. 6 is a front elevation of the vial of FIG. 1, in an opened state;

FIG. 7 is a left side elevation of the vial of FIG. 1, in an opened state;

FIG. 8 is a rear elevation of the vial of FIG. 1, in an opened state;

FIG. 9 is a perspective view of a second embodiment of the vial, in an opened state;

FIG. 10 is a top plan view of the vial of FIG. 9, in an opened state;

FIG. 11 is a bottom plan view of the vial of FIG. 9, in an opened state;

FIG. 12 is a right side elevation of the vial of FIG. 9, in an opened state;

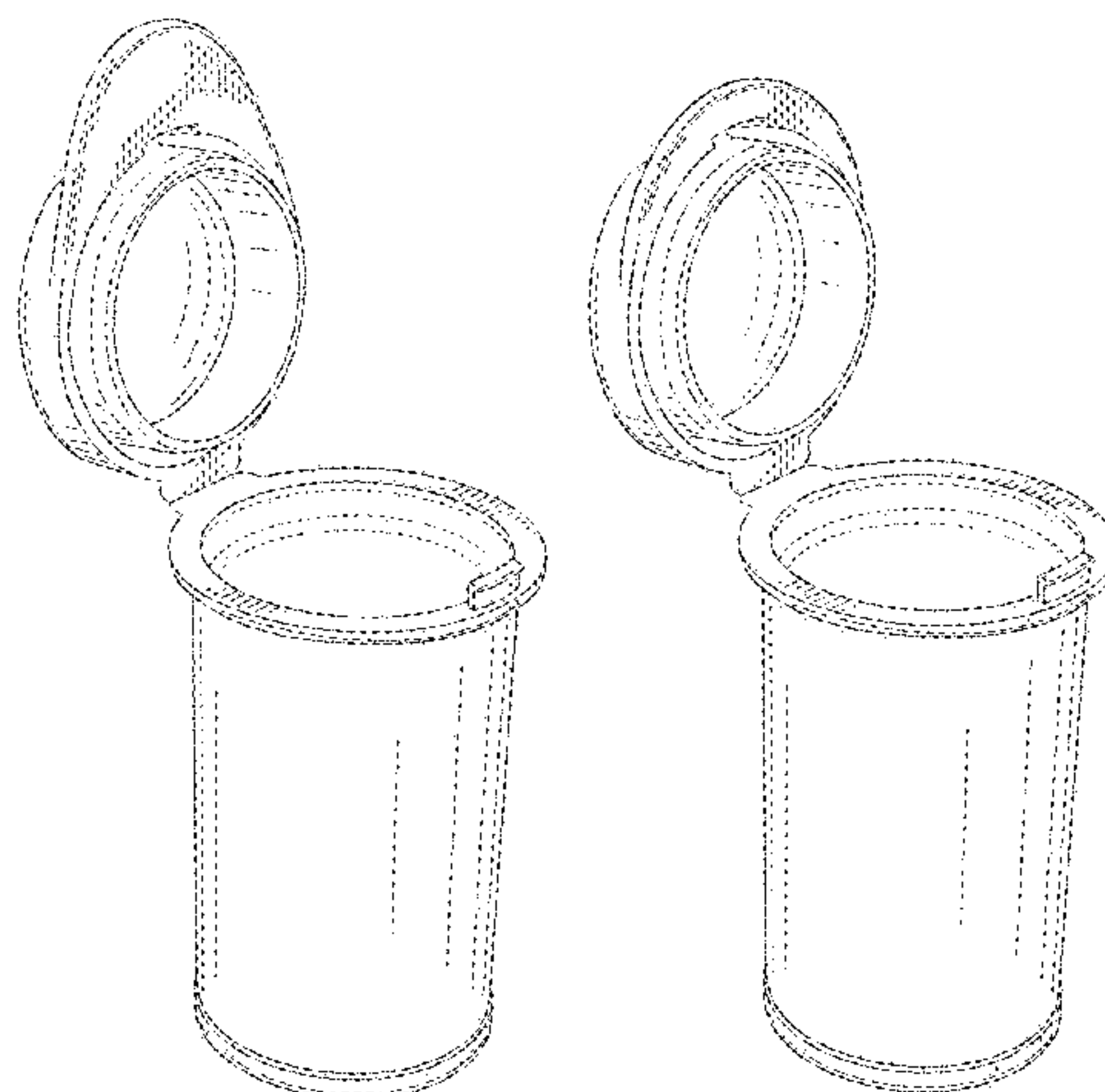
FIG. 13 is a front elevation of the vial of FIG. 9, in an opened state;

FIG. 14 is a left side elevation of the vial of FIG. 9, in an opened state; and,

FIG. 15 is a rear elevation of the vial of FIG. 9, in an opened state.

The broken lines in the drawing views are included for the purpose of illustrating portions of the vial that form no part of the claimed design.

1 Claim, 9 Drawing Sheets



US D644,739 S

Page 2

U.S. PATENT DOCUMENTS

2006/0219727	A1	10/2006	Giraud	
2007/0051739	A1	3/2007	Giraud	
2007/0080093	A1*	4/2007	Boozer et al.	206/569
2007/0228061	A1	10/2007	Giraud	
2008/0081000	A1*	4/2008	MacLeod et al.	422/68.1
2009/0095699	A1*	4/2009	Milante	215/217
2009/0166312	A1	7/2009	Giraud	

FOREIGN PATENT DOCUMENTS

WO	2007109166	9/2007
WO	2009149324	10/2009
WO	2009140627	11/2009

* cited by examiner

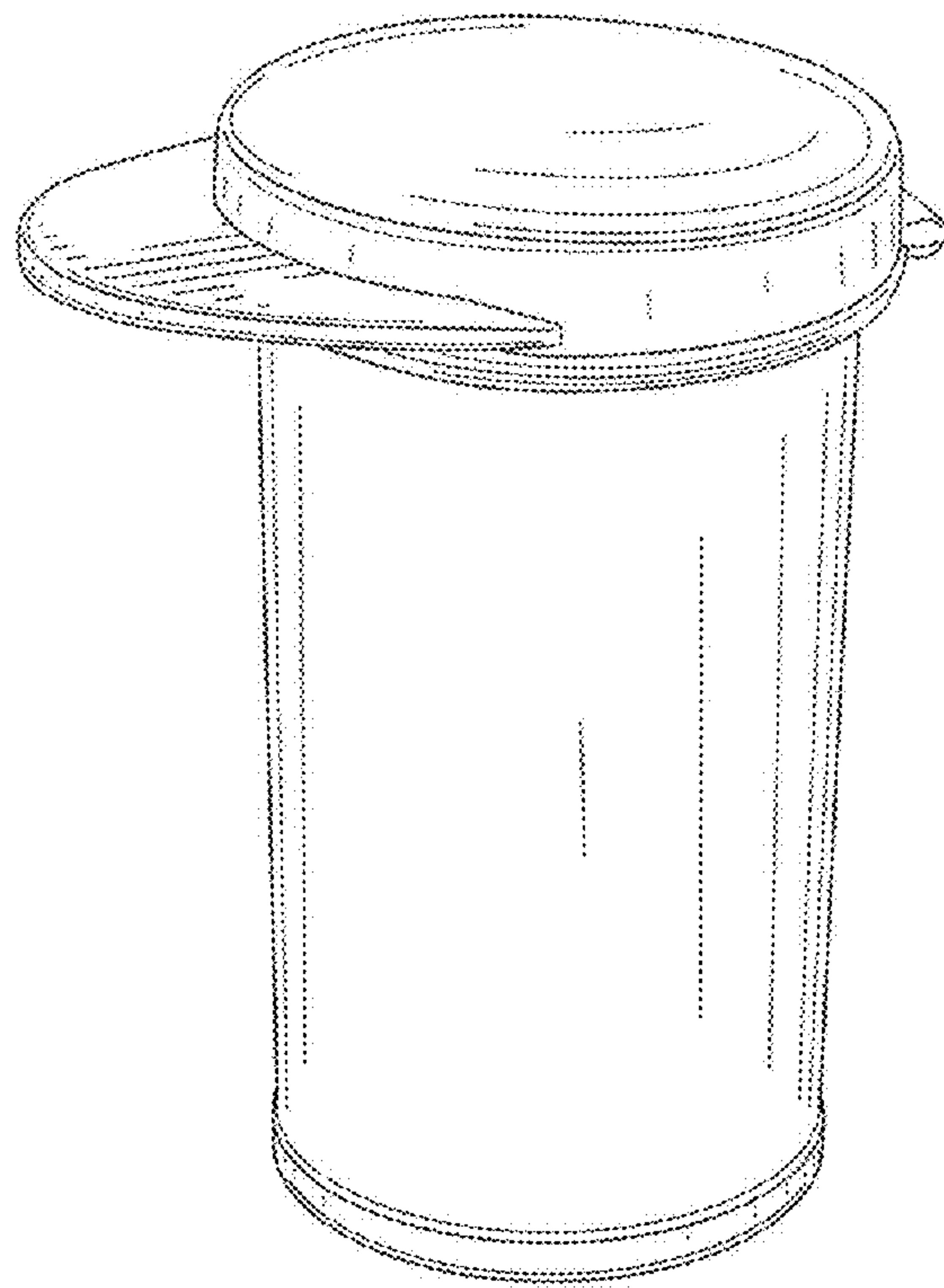


FIG. 1

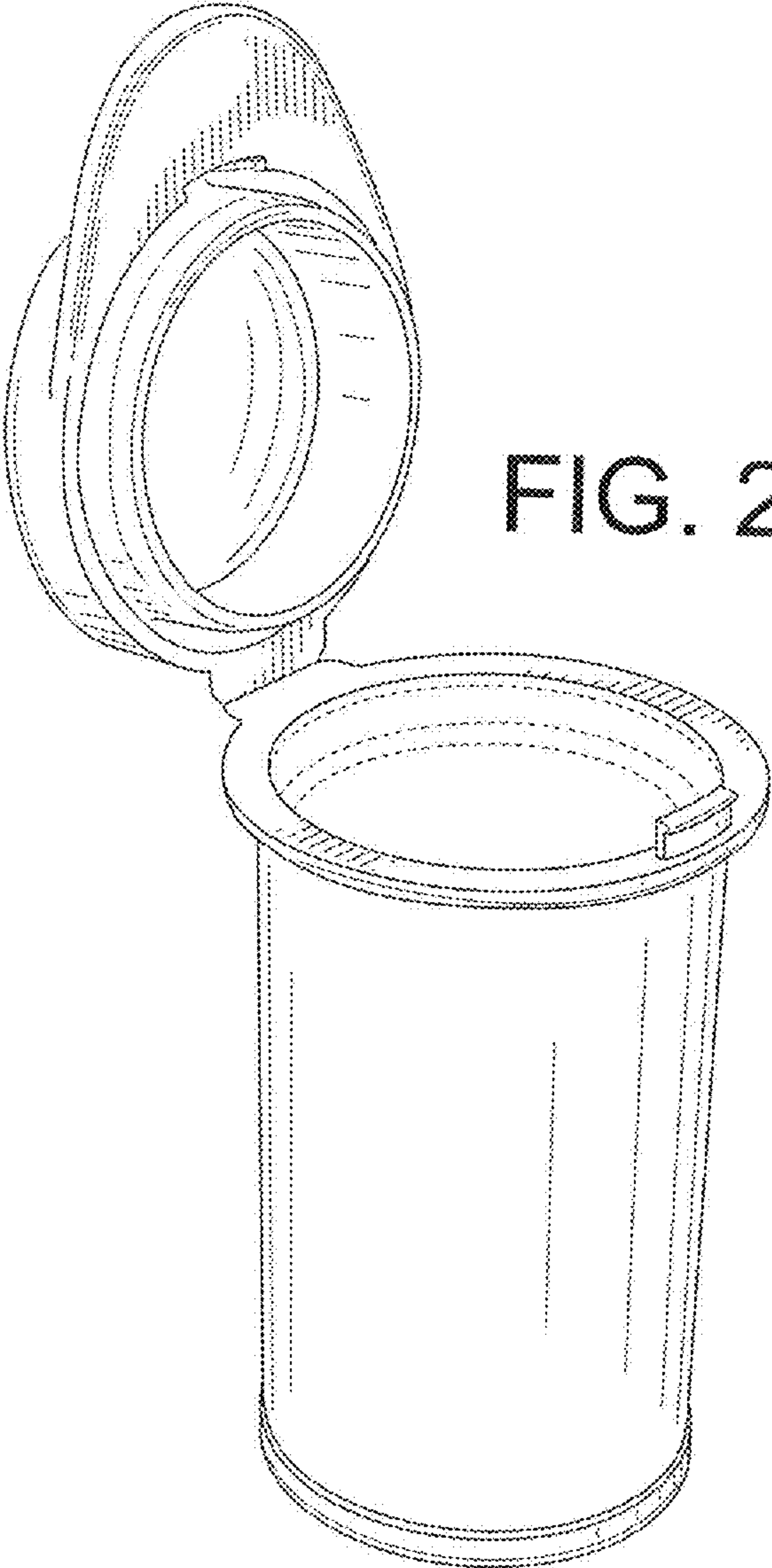


FIG. 2

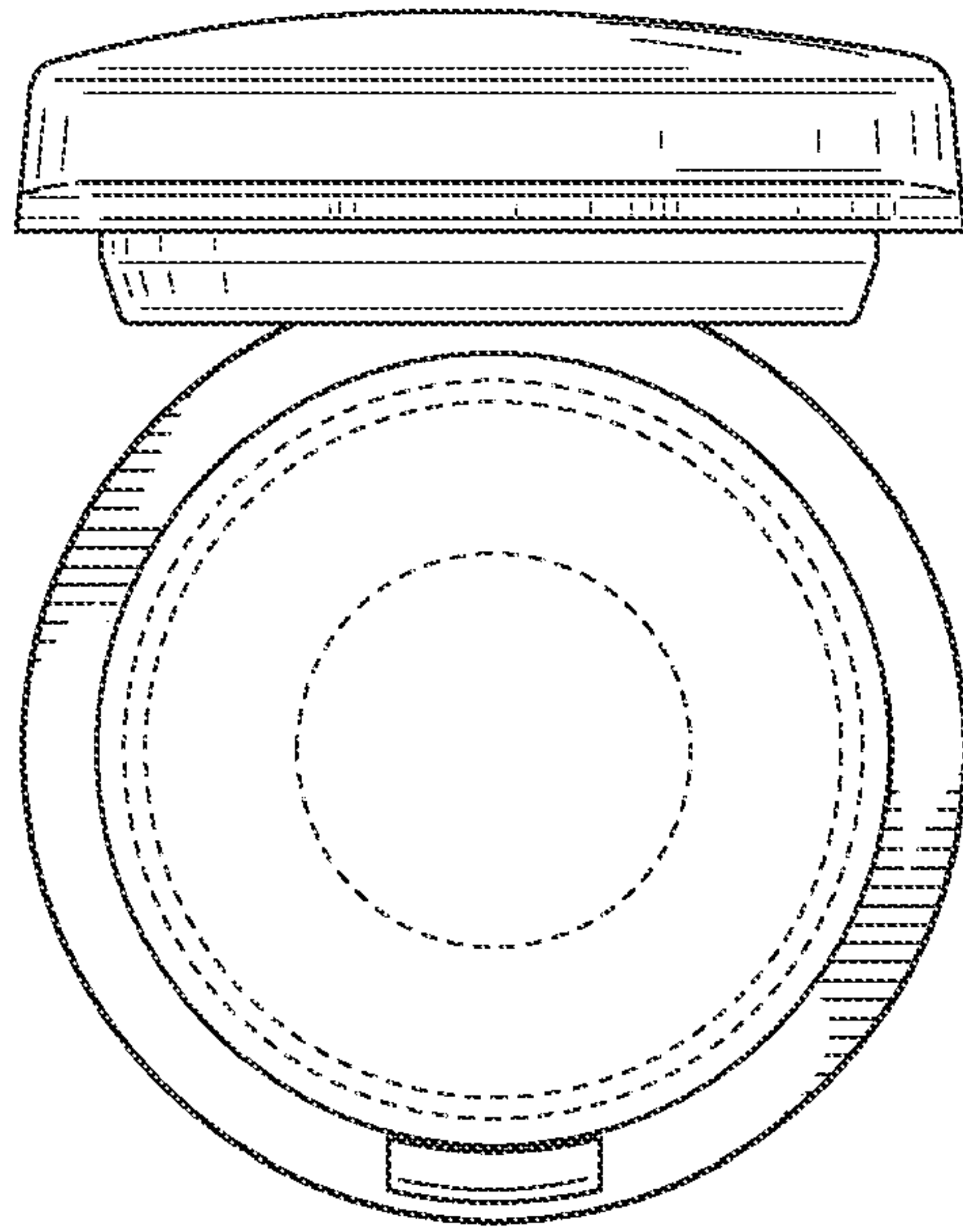


FIG. 3

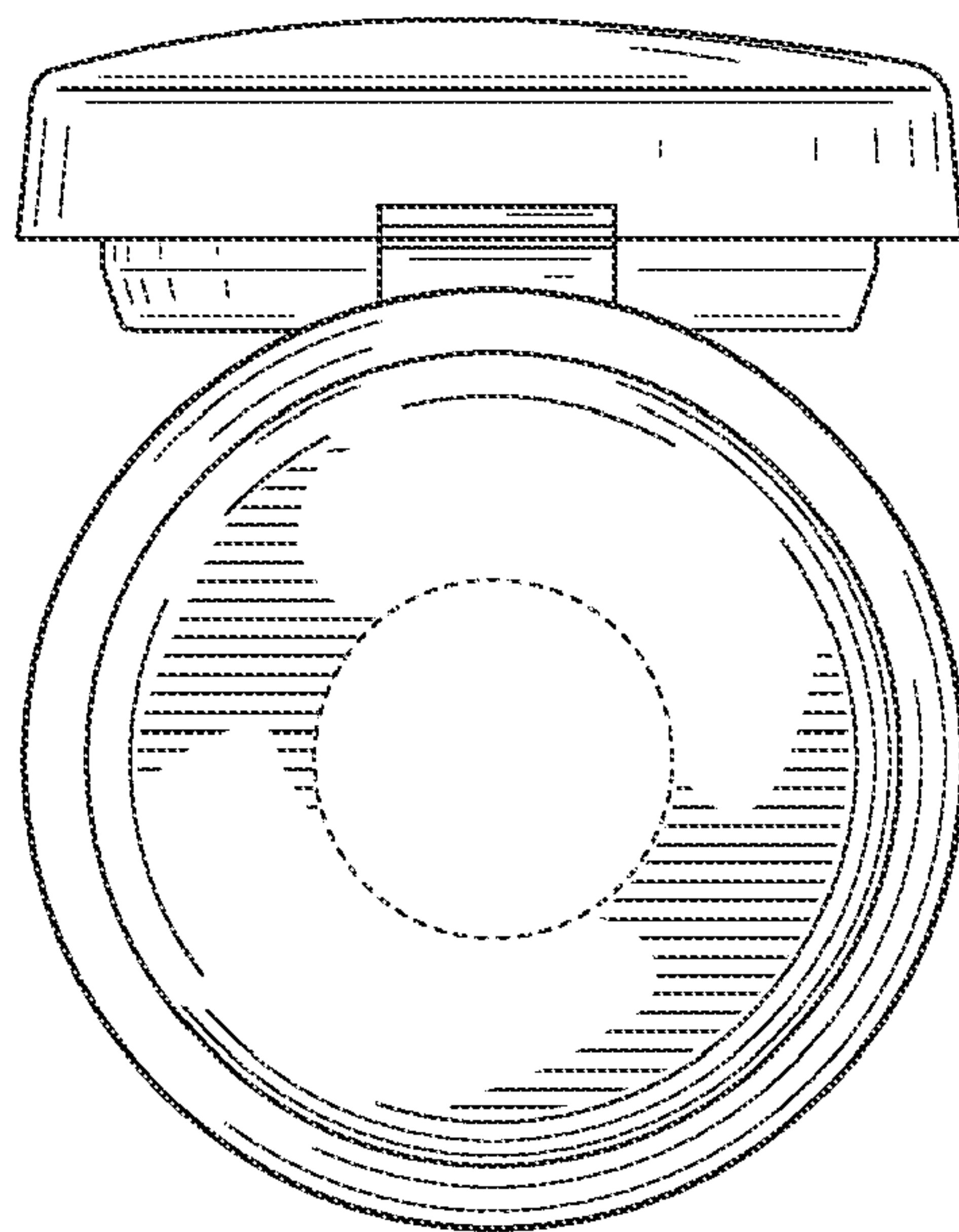


FIG. 4

FIG. 5

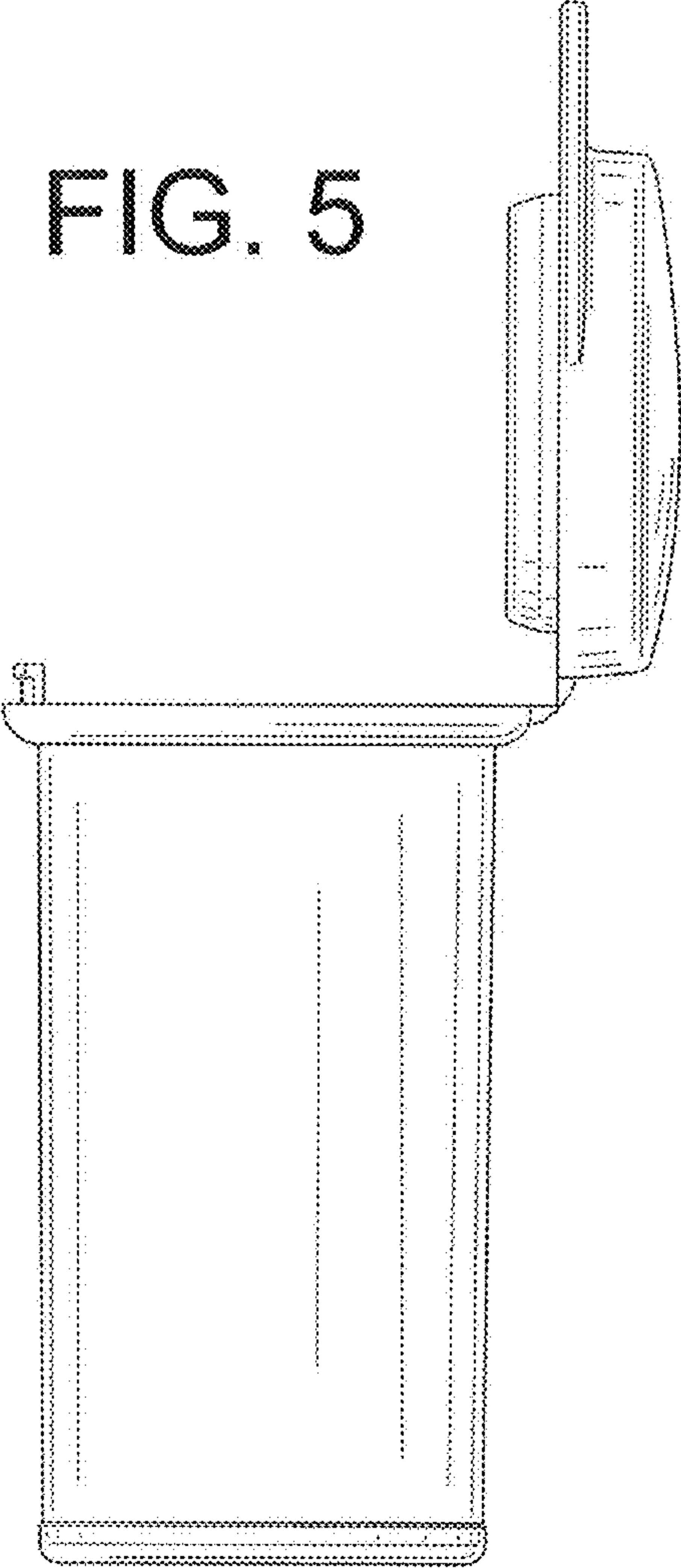
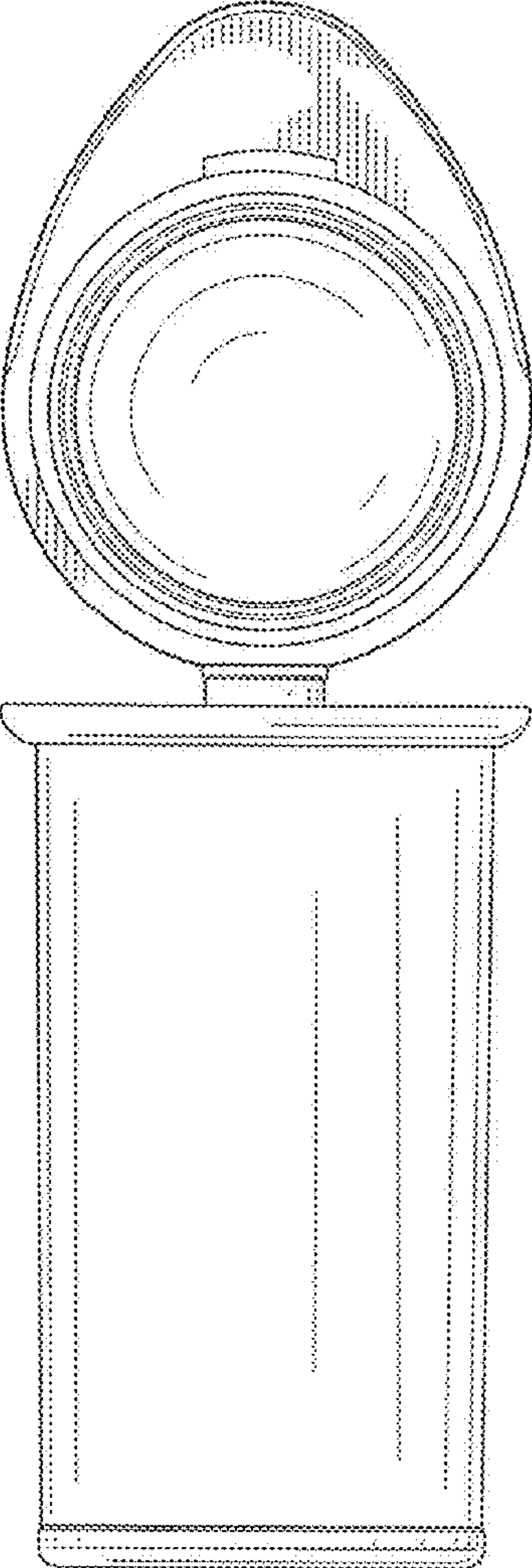
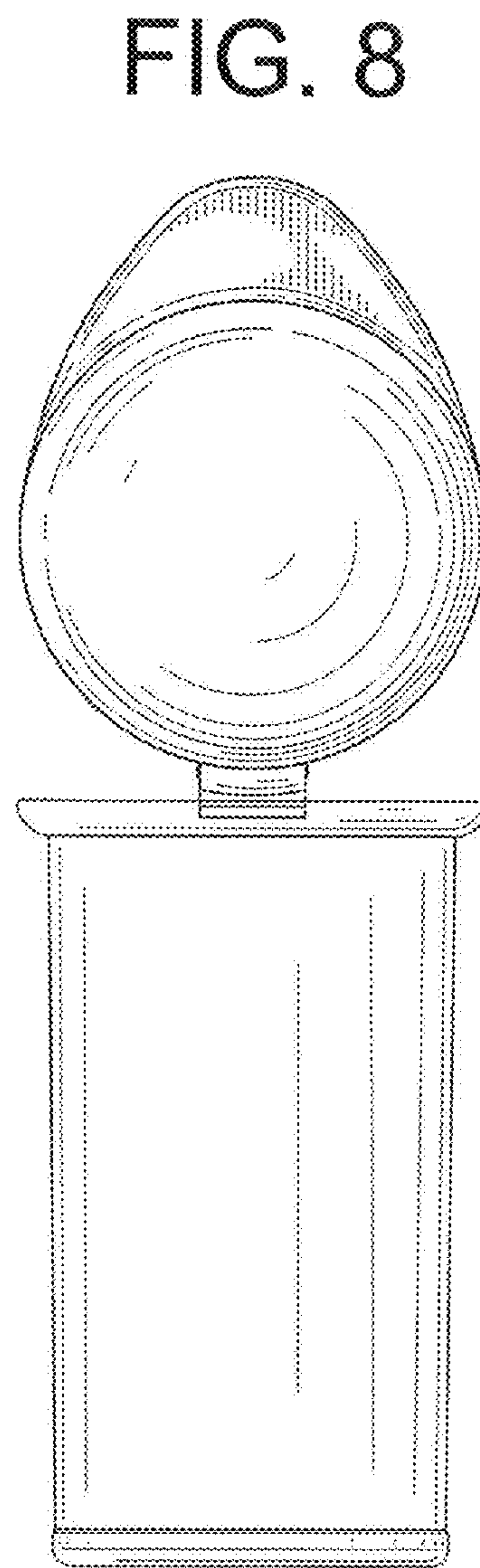
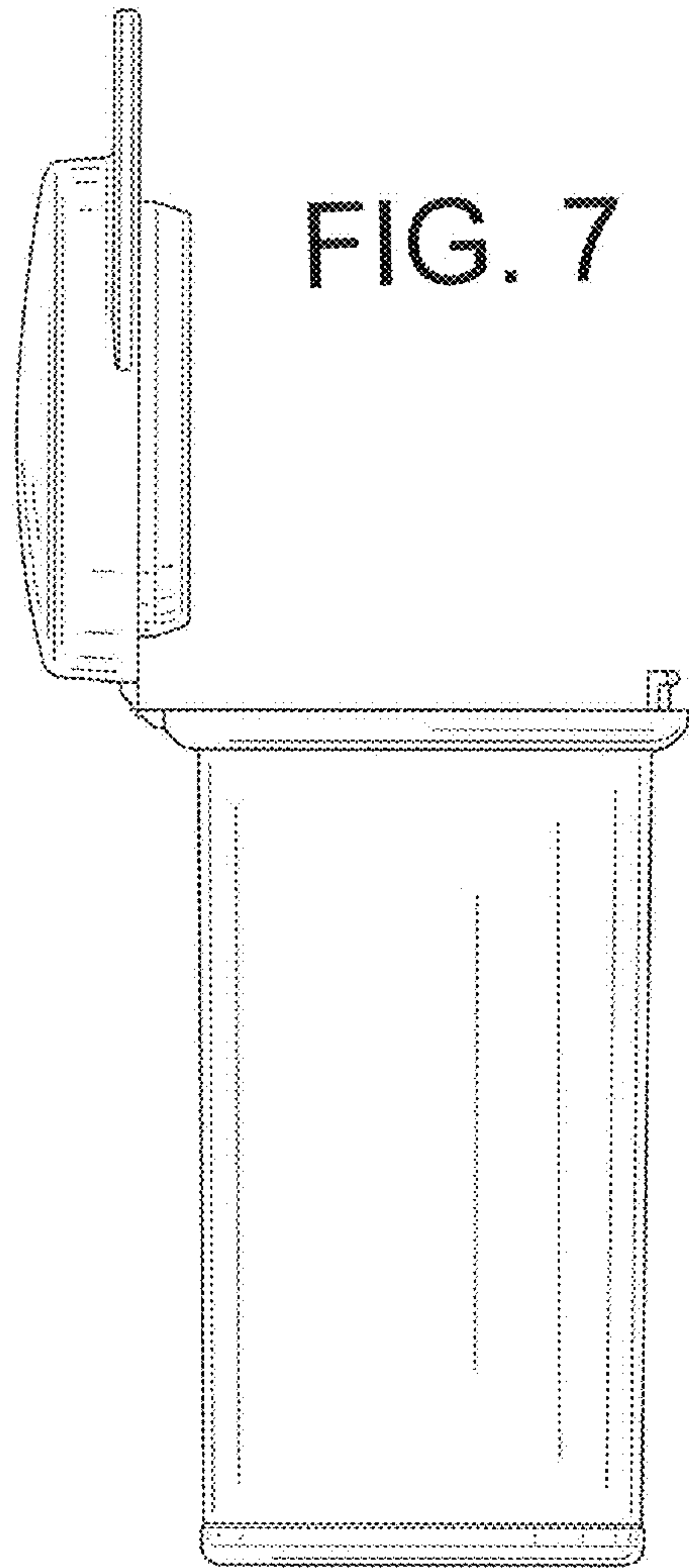


FIG. 6





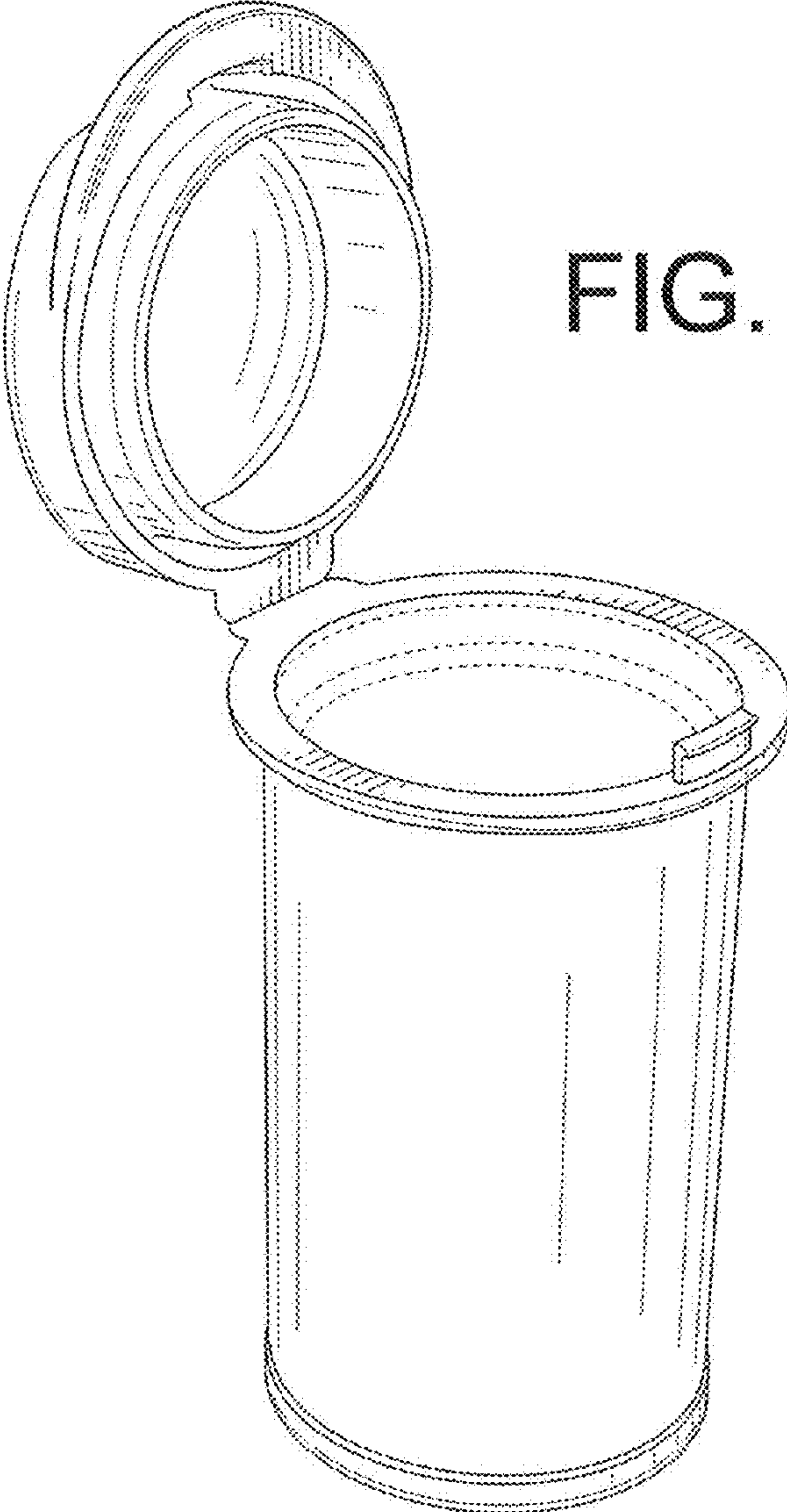


FIG. 9

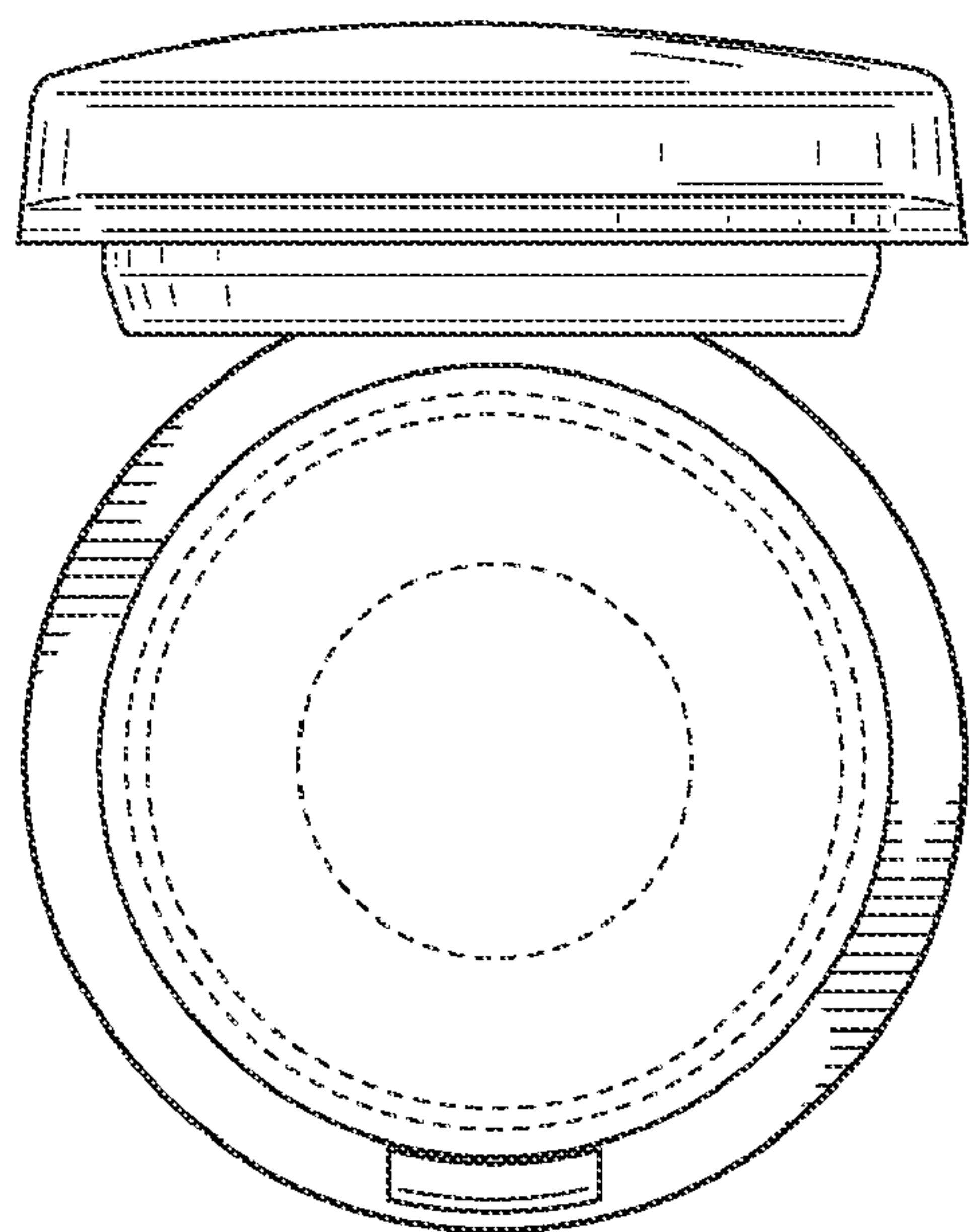


FIG. 10

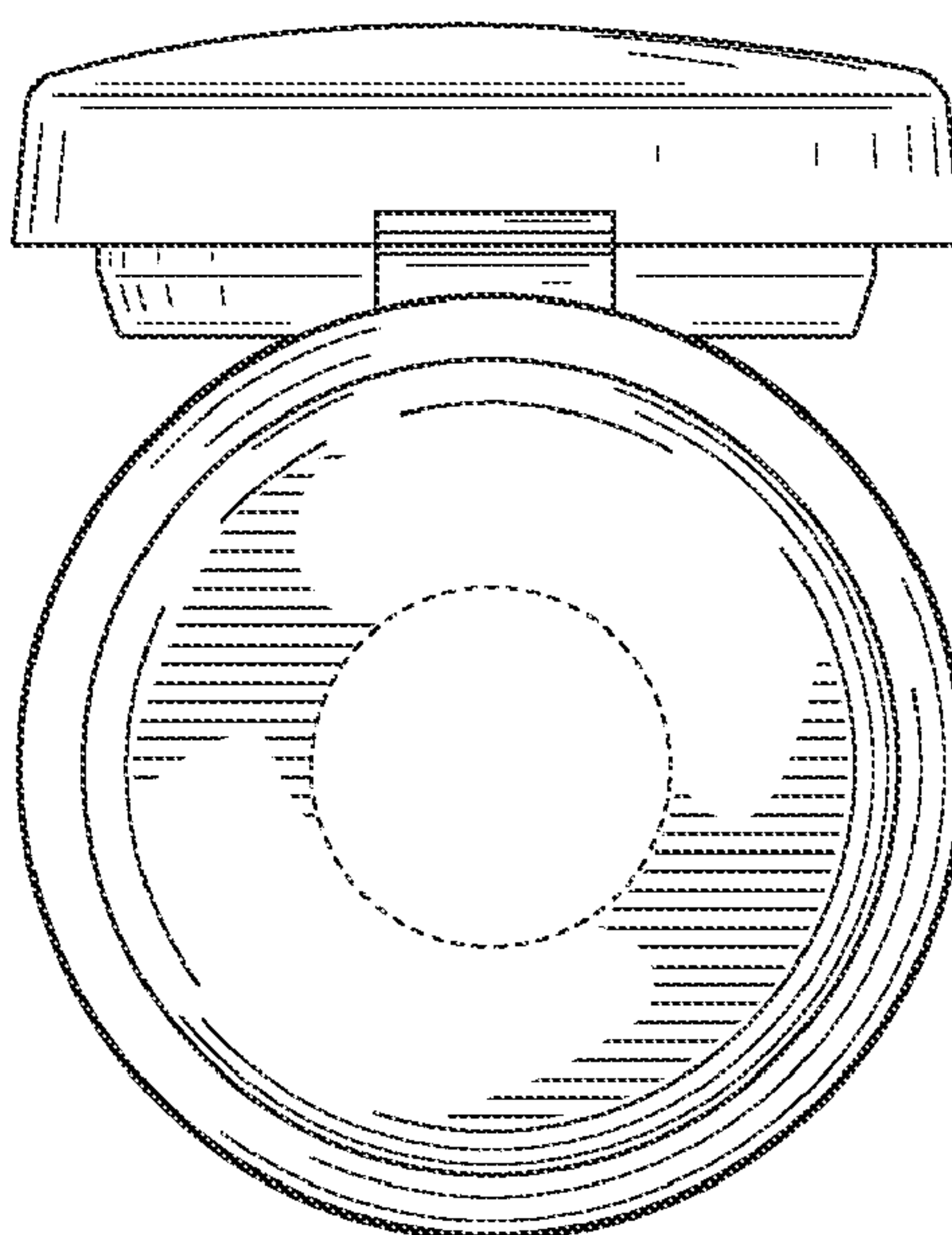


FIG. 11

FIG. 12

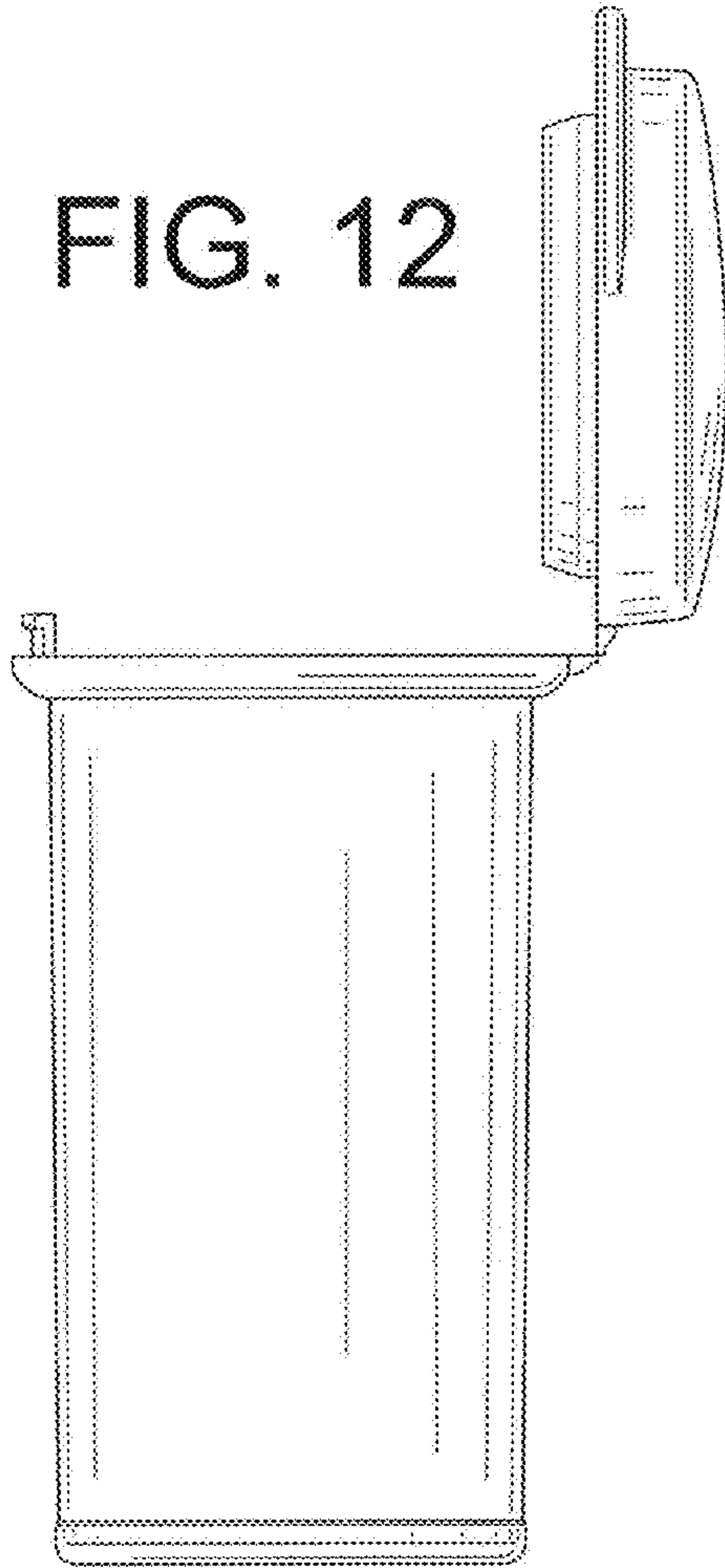


FIG. 13

