



US00D644733S

(12) **United States Design Patent**
Ellis et al.

(10) **Patent No.:** **US D644,733 S**

(45) **Date of Patent:** **** *Sep. 6, 2011**

(54) **NEEDLE HUB**

(75) Inventors: **Robert G. Ellis**, Wayne, NJ (US);
Anthony Economou, Sparta, NJ (US)

(73) Assignee: **Becton, Dickinson and Company**,
Franklin Lakes, NJ (US)

(*) Notice: This patent is subject to a terminal disclaimer.

(**) Term: **14 Years**

(21) Appl. No.: **29/368,025**

(22) Filed: **Aug. 17, 2010**

Related U.S. Application Data

(63) Continuation-in-part of application No. 29/356,202,
filed on Feb. 22, 2010, now Pat. No. Des. 627,880.

(51) **LOC (9) Cl.** **24-02**

(52) **U.S. Cl.** **D24/130**

(58) **Field of Classification Search** D24/127-132,
D24/11; 600/566-567, 576-578; 604/110,
604/157-158, 164.01-164.09, 192, 195,
604/198, 263, 272, 506

See application file for complete search history.

(56) **References Cited**

U.S. PATENT DOCUMENTS

D288,005	S *	1/1987	Glash et al.	D24/130
4,984,580	A *	1/1991	Wanamaker	600/576
5,104,381	A *	4/1992	Gresl et al.	604/158
5,256,153	A *	10/1993	Hake	604/198
5,584,816	A *	12/1996	Gyure et al.	604/192
5,752,940	A *	5/1998	Grimard	604/181
6,179,812	B1 *	1/2001	Botich et al.	604/110
6,196,998	B1 *	3/2001	Jansen et al.	604/111
6,391,008	B1 *	5/2002	Tsai	604/195

(Continued)

OTHER PUBLICATIONS

U.S. Appl. No. 29/356,207, filed Feb. 22, 2010, entitled "Needle Hub".

(Continued)

Primary Examiner — T. Chase Nelson

Assistant Examiner — Eric L Goodman

(74) *Attorney, Agent, or Firm* — The Webb Law Firm

(57) **CLAIM**

The ornamental design for a needle hub, as shown and described.

DESCRIPTION

FIG. 1 is a frontwardly directed perspective view of a needle hub in accordance with an embodiment of the present invention.

FIG. 2 is a rearwardly directed perspective view of the needle hub of FIG. 1 in accordance with an embodiment of the present invention.

FIG. 3 is a top view of the needle hub of FIG. 1 in accordance with an embodiment of the present invention.

FIG. 4 is a right side view of the needle hub of FIG. 1 in accordance with an embodiment of the present invention.

FIG. 5 is a rear view of the needle hub of FIG. 1 in accordance with an embodiment of the present invention.

FIG. 6 is a front view of the needle hub of FIG. 1 in accordance with an embodiment of the present invention.

FIG. 7 is a left side view of the needle hub of FIG. 1 in accordance with an embodiment of the present invention.

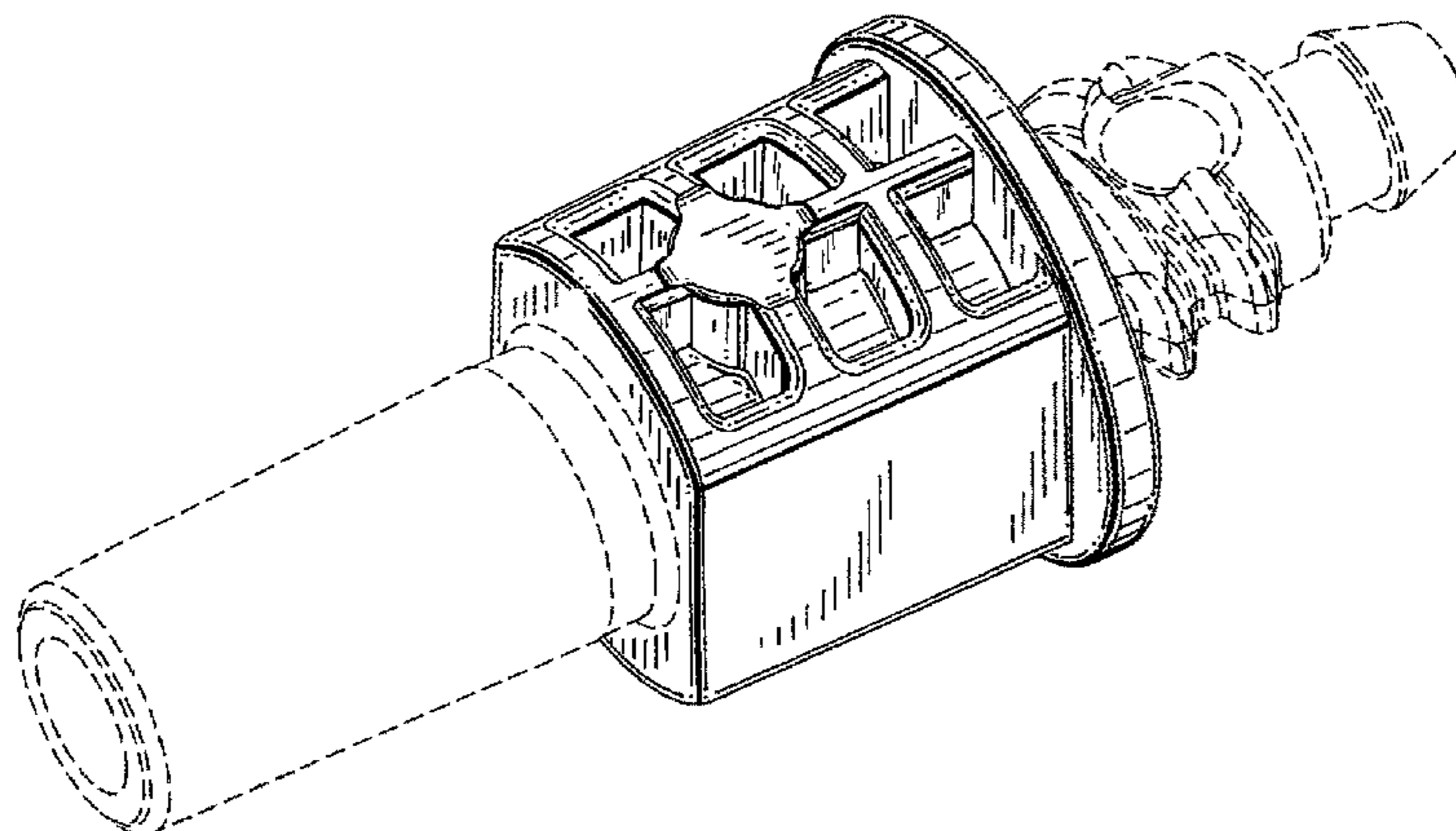
FIG. 8 is a bottom view of the needle hub of FIG. 1 in accordance with an embodiment of the present invention.

FIG. 9 is a perspective view of the needle hub of FIG. 1 engaged with a tube holder in accordance with an embodiment of the present invention; and,

FIG. 10 is a perspective view of the needle hub of FIG. 1 engaged with a flexible fluid collection or infusion set in accordance with an embodiment of the present invention.

The broken lines shown in FIGS. 1-10 are provided for the purpose of showing environment only, and form no portion of the claimed design.

1 Claim, 9 Drawing Sheets



US D644,733 S

Page 2

U.S. PATENT DOCUMENTS

6,629,956 B1 * 10/2003 Polidoro et al. 604/164.01
D494,677 S * 8/2004 Garvin D24/130
6,878,131 B2 * 4/2005 Novacek et al. 604/110
D506,548 S * 6/2005 Andrews et al. D24/130
D620,591 S * 7/2010 Young D24/130
7,794,432 B2 * 9/2010 Young et al. 604/192
D627,880 S * 11/2010 Ellis et al. D24/130
D627,881 S * 11/2010 Ellis et al. D24/130
2001/0018572 A1 * 8/2001 Kinsey et al. 604/164.06
2002/0055715 A1 * 5/2002 Young et al. 604/164.04
2005/0065482 A1 * 3/2005 Hauri et al. 604/263
2005/0148942 A1 * 7/2005 Newby et al. 604/192
2005/0192541 A1 * 9/2005 Novacek et al. 604/195

2006/0189934 A1 * 8/2006 Kuracina et al. 604/110
2008/0039800 A1 * 2/2008 Bush et al. 604/192
2009/0204026 A1 * 8/2009 Crawford et al. 600/576
2010/0094171 A1 * 4/2010 Conway et al. 600/575
2010/0137815 A1 * 6/2010 Kuracina et al. 604/263
2010/0160823 A1 * 6/2010 Parihar et al. 600/567

OTHER PUBLICATIONS

U.S. Appl. No. 29/356,209, filed Feb. 22, 2010, entitled "Needle Hub".

U.S. Appl. No. 29/356,203, filed Feb. 22, 2010, entitled "Needle Hub".

* cited by examiner

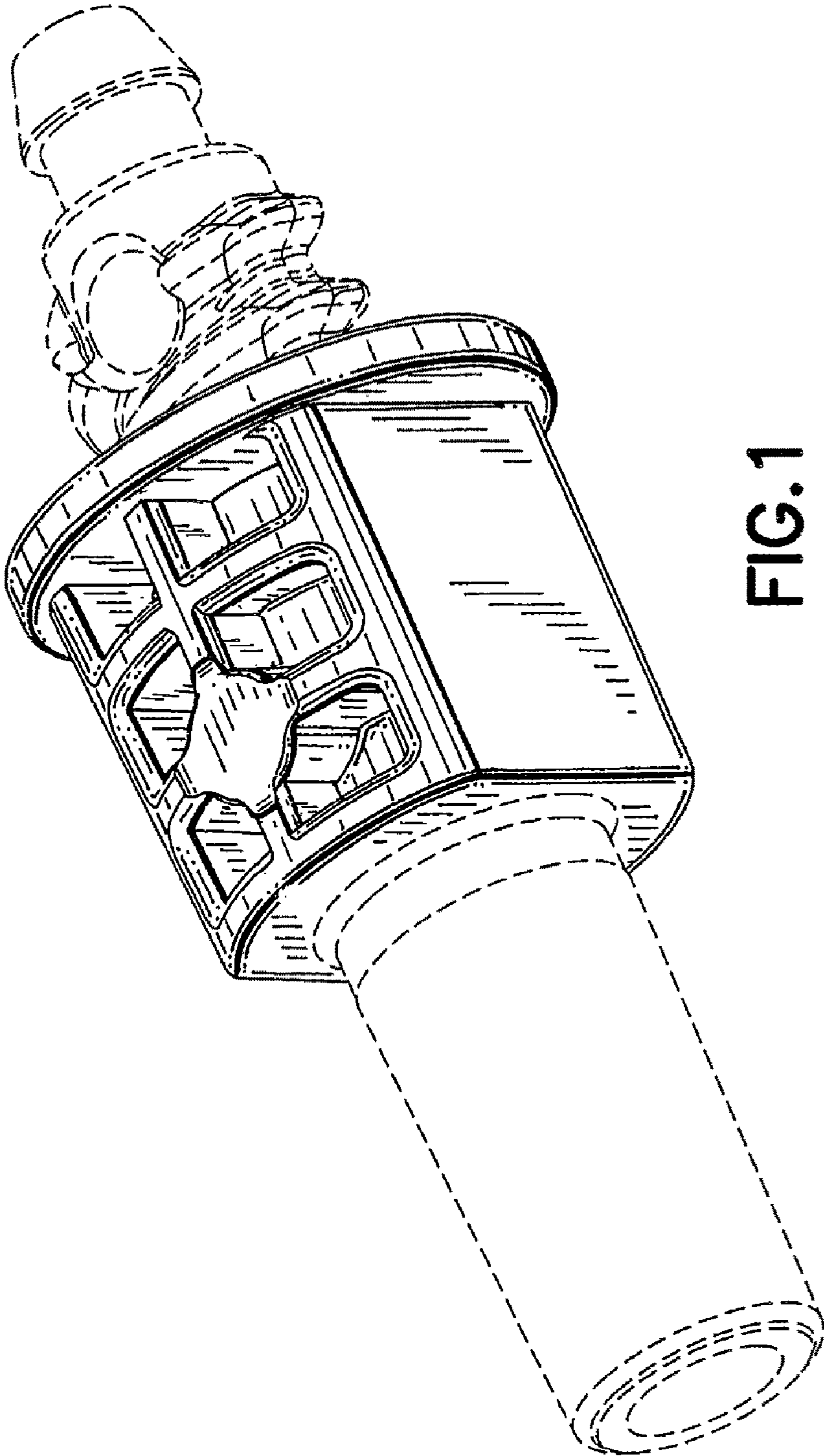


FIG.1

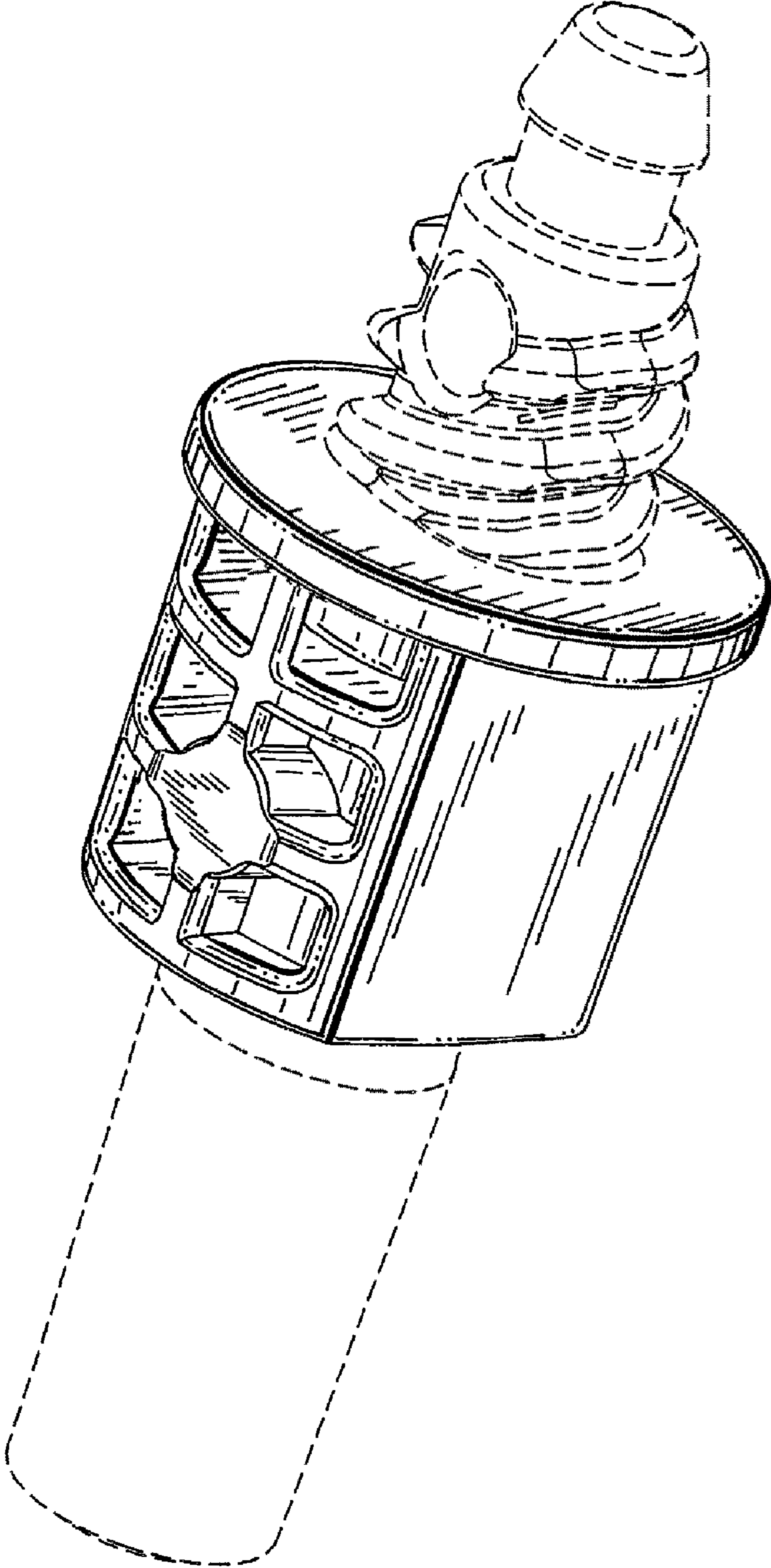


FIG.2

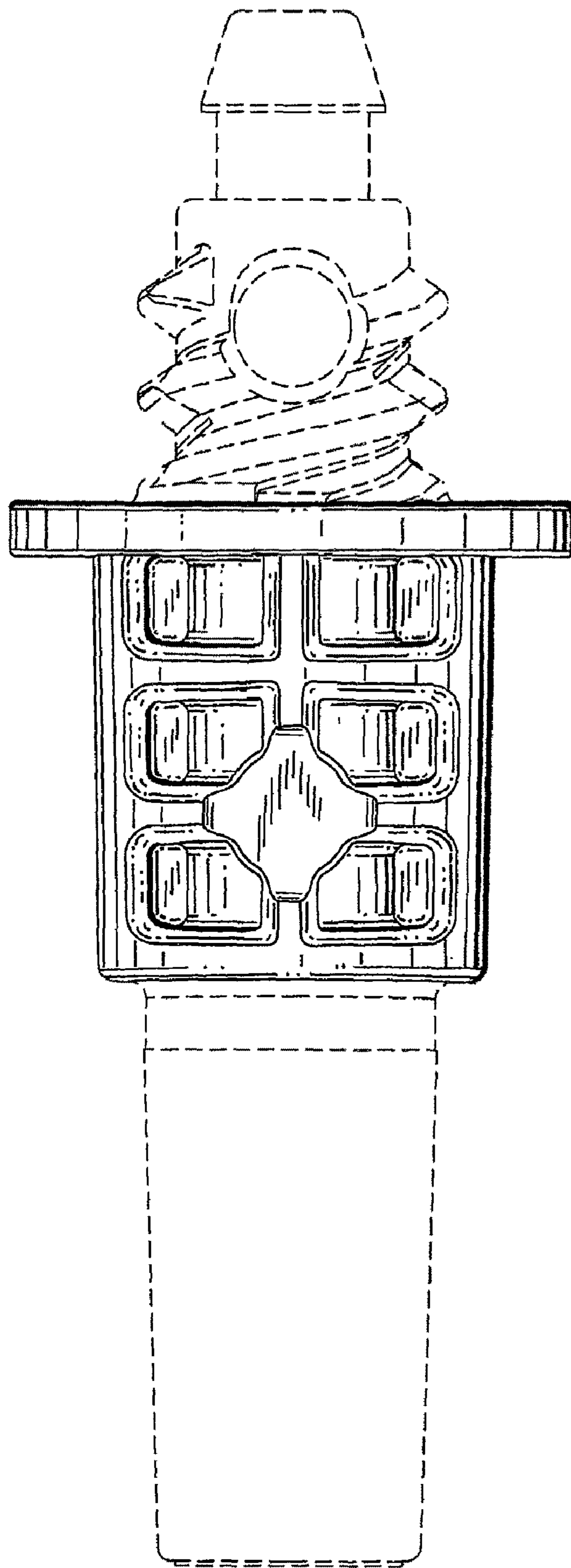


FIG. 3

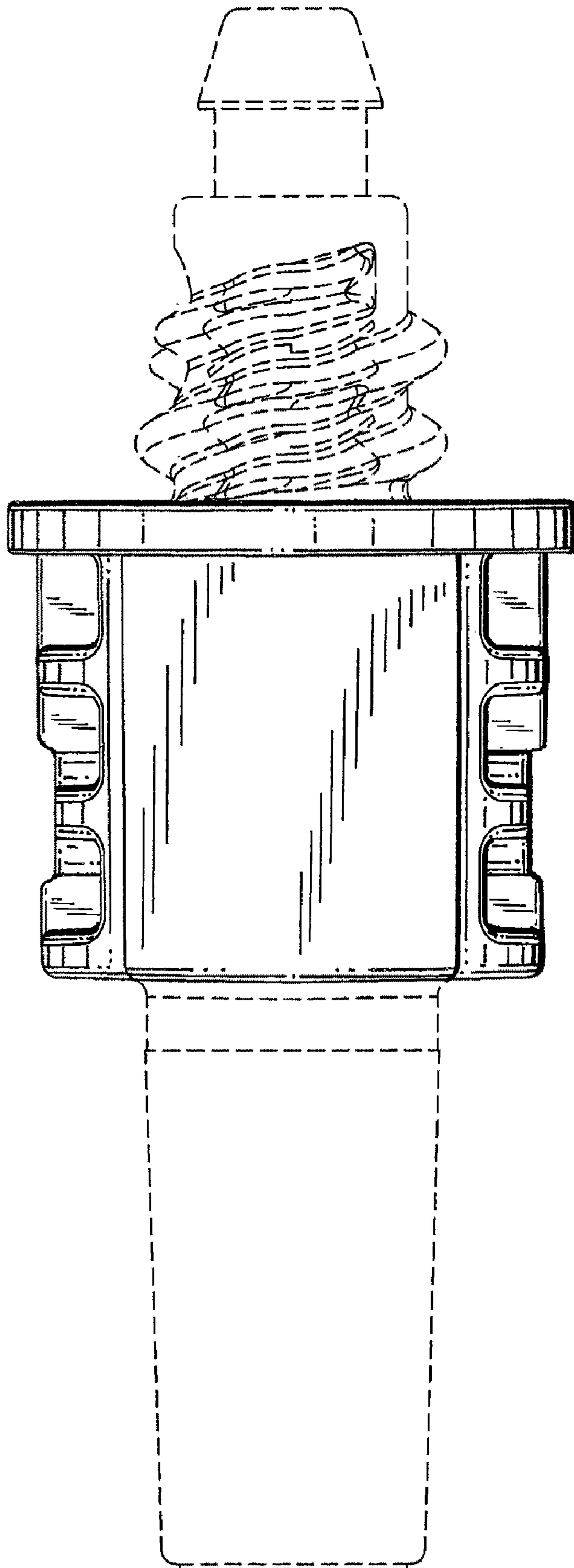


FIG.4

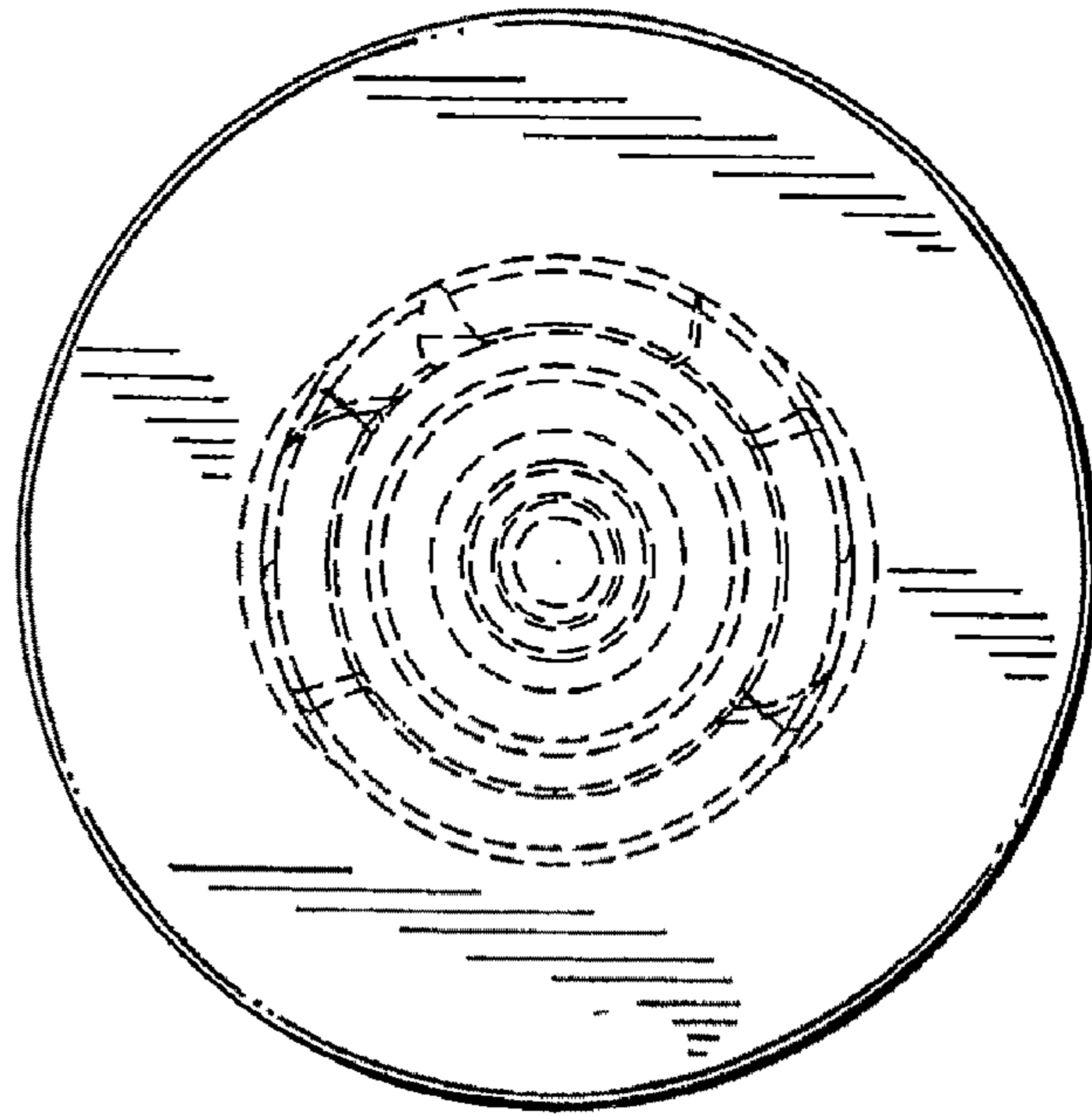


FIG. 5

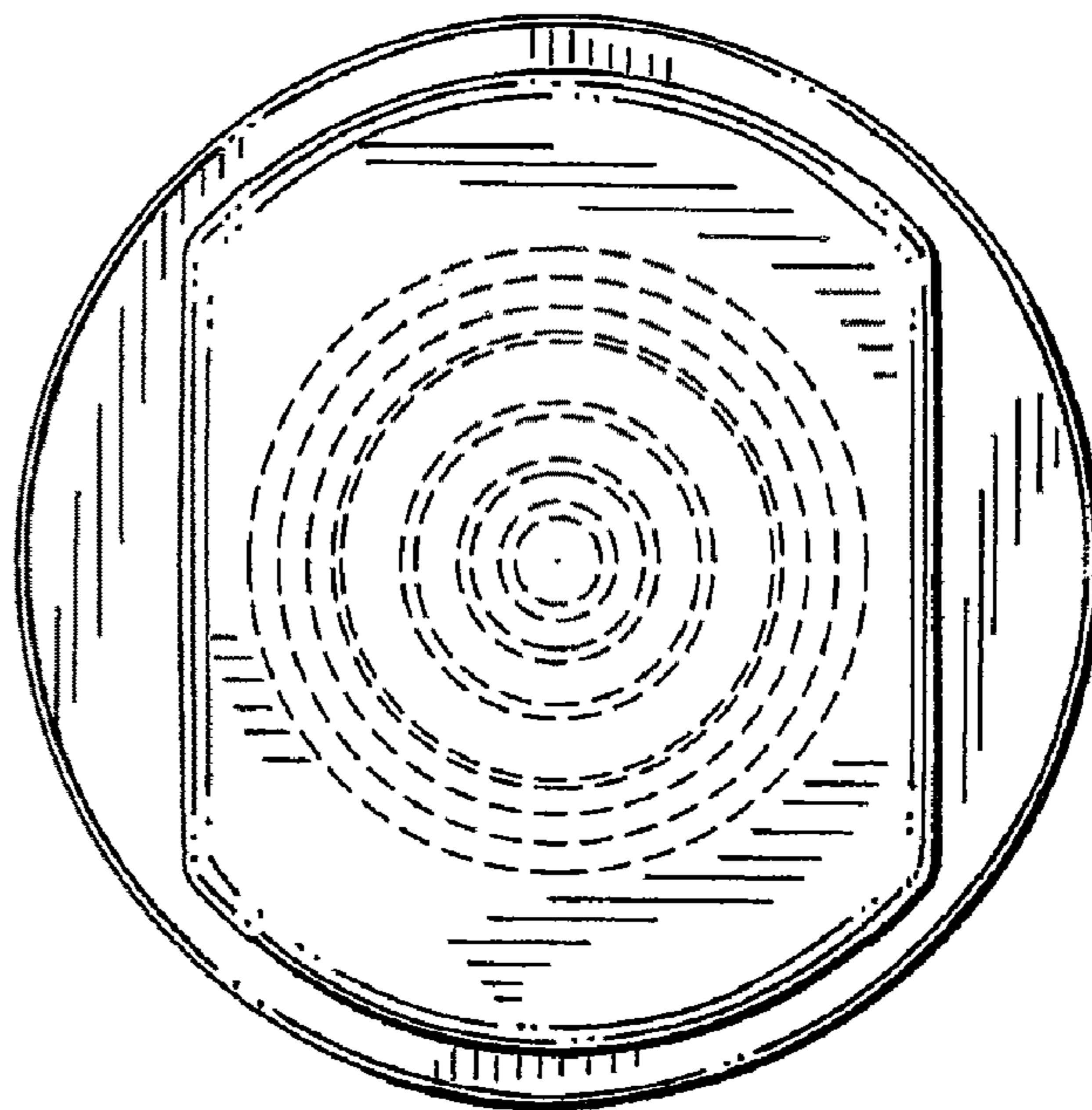


FIG. 6

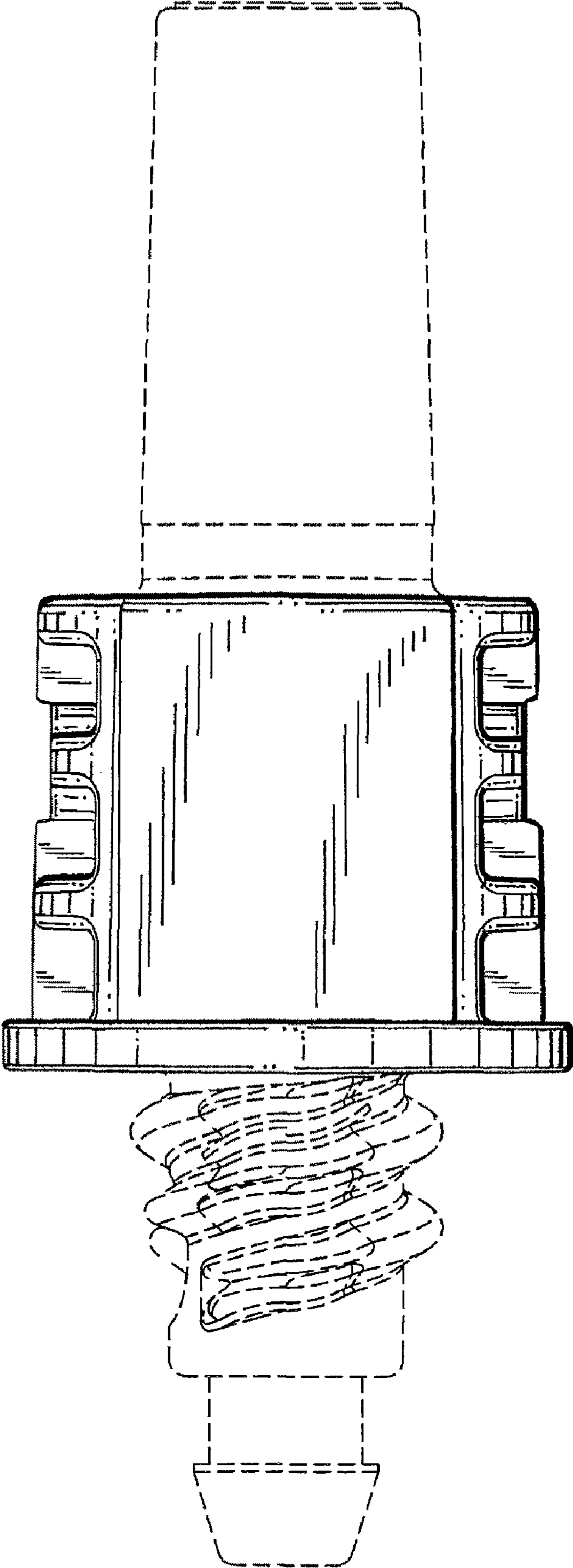


FIG.7

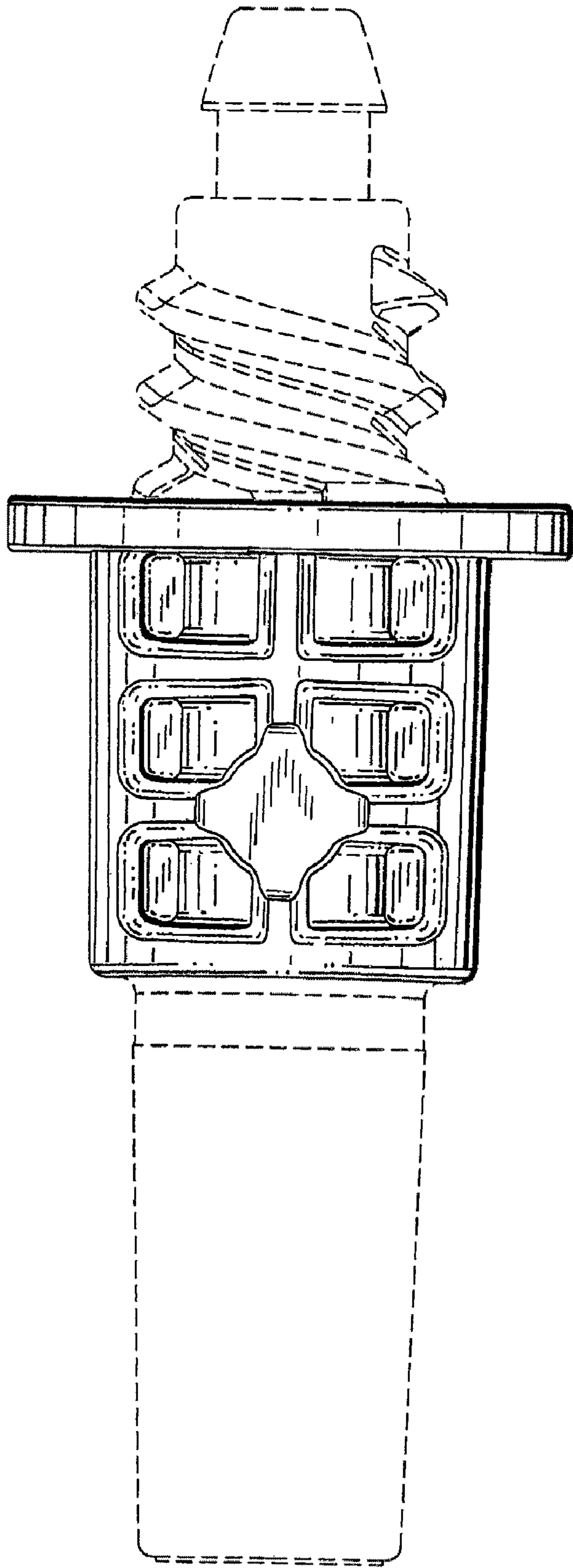


FIG.8

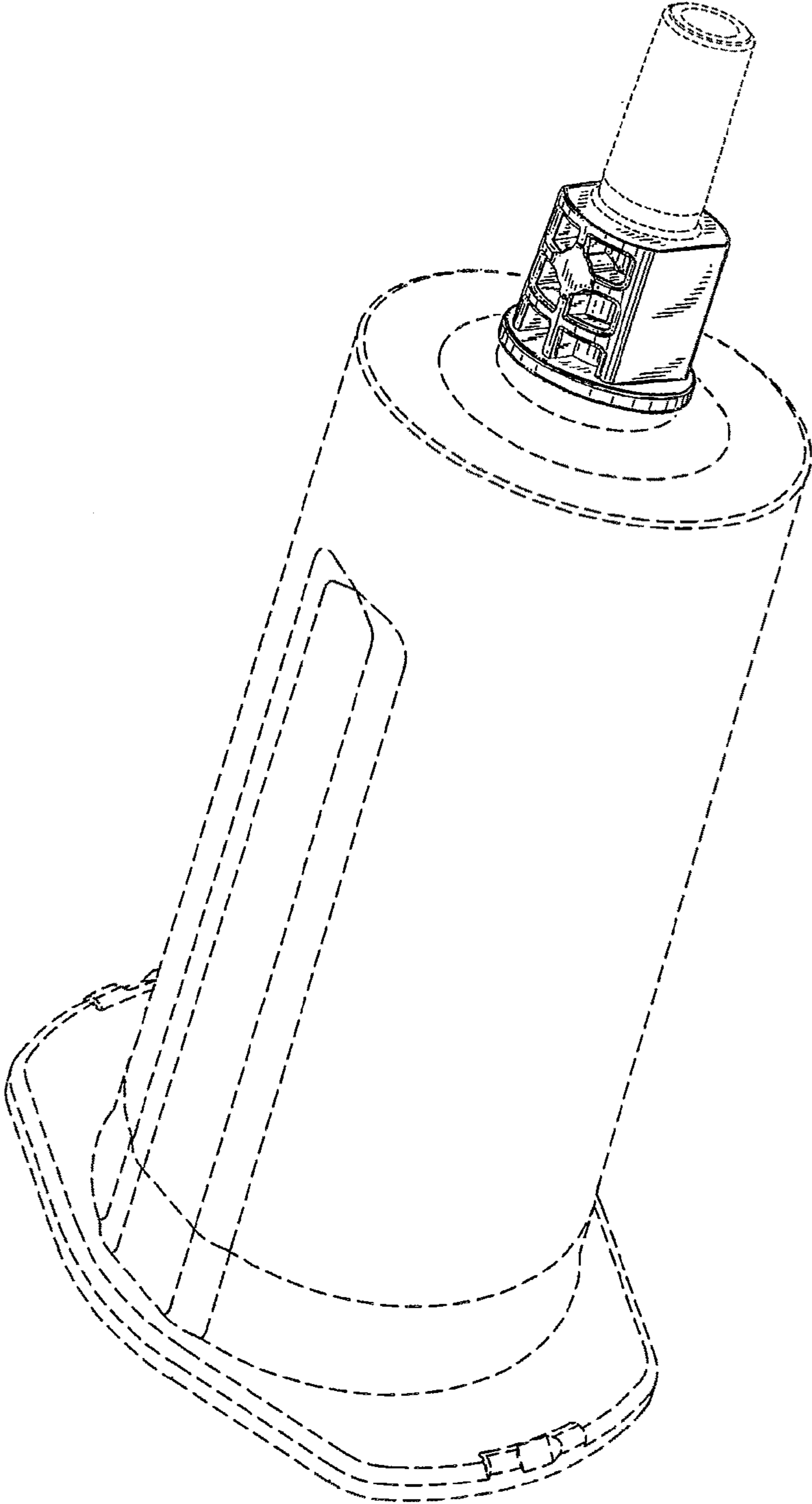


FIG. 9

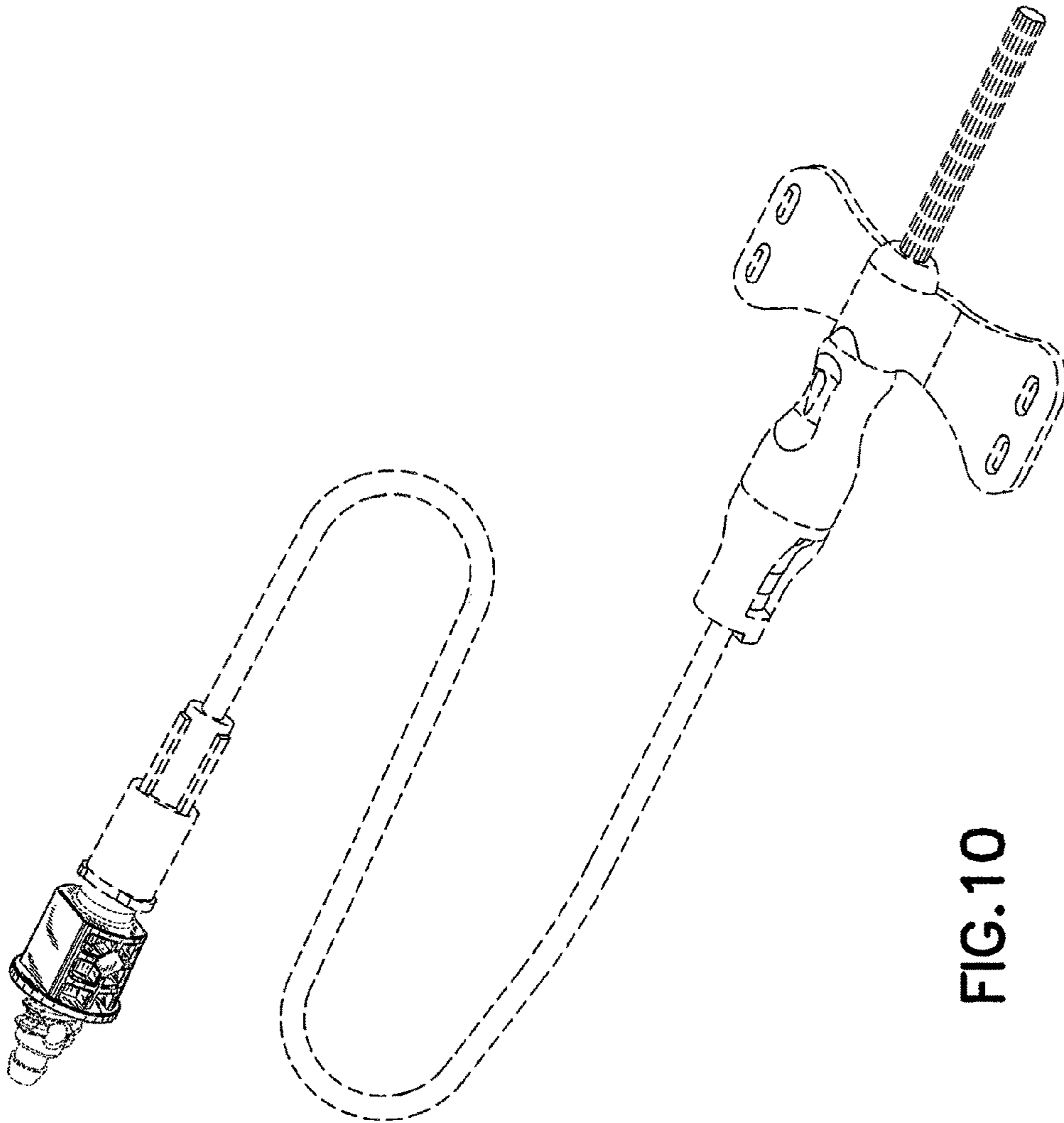


FIG.10