



US00D644732S

(12) **United States Design Patent**
Vleugels

(10) **Patent No.:** **US D644,732 S**

(45) **Date of Patent:** **** Sep. 6, 2011**

(54) **NEEDLE**

(75) **Inventor:** **Michel P. H. Vleugels**, Malden (NL)

(73) **Assignee:** **Vleugels Holding B.V.**, Maastricht (NL)

(**) **Term:** **14 Years**

(21) **Appl. No.:** **29/319,992**

(22) **Filed:** **Jun. 18, 2008**

(30) **Foreign Application Priority Data**

Dec. 18, 2007 (EM) 000844816-0001

(51) **LOC (9) Cl.** **24-02**

(52) **U.S. Cl.** **D24/130**

(58) **Field of Classification Search** D24/112,
D24/127-130; D8/61, 98; D19/36, 43, 51,
D19/48; 128/753-754; 604/170, 164, 30,
604/143, 232, 192, 263, 242; 600/107, 573,
600/578; D3/28; 112/80.05

See application file for complete search history.

(56) **References Cited**

U.S. PATENT DOCUMENTS

897,200	A *	8/1908	Ferrier	112/80.05
1,176,032	A *	3/1916	Cole	112/80.05
1,309,601	A *	7/1919	Pade et al.	112/80.05
1,371,977	A *	3/1921	Pade et al.	112/80.05
1,374,409	A *	4/1921	Valentine	112/80.05
1,428,960	A *	9/1922	Hover	112/80.05
D125,868	S *	3/1941	Davis	D3/28
2,560,162	A *	7/1951	Ferguson	604/274
2,610,598	A *	9/1952	Midas	112/80.05
2,830,587	A *	4/1958	Everett	604/272
3,093,134	A *	6/1963	Roehr	604/272
3,175,554	A *	3/1965	Stewart	600/567
3,308,822	A *	3/1967	De Luca	604/274
D250,770	S *	1/1979	McFarlane	D24/112
D254,444	S *	3/1980	Levine	D24/112

4,335,718	A *	6/1982	Calabrese	604/272
D274,195	S *	6/1984	Strauss	D3/28
4,765,264	A *	8/1988	Bruton	112/80.05
D303,290	S *	9/1989	McMenamy et al.	D24/147
5,117,772	A *	6/1992	Horton et al.	112/80.05
5,170,731	A *	12/1992	Walker	112/80.5
D403,405	S *	12/1998	Terwilliger	D24/130
5,928,200	A *	7/1999	Thorne et al.	604/195
D452,313	S *	12/2001	Niermann	D24/112
6,533,760	B2 *	3/2003	Leong	604/168.01
D476,417	S *	6/2003	Swenson et al.	D24/130
D476,418	S *	6/2003	Sprieck et al.	D24/130

(Continued)

OTHER PUBLICATIONS

Material Specification; Stainless Steel needle (see attached specification); Inkapol Products, Haanwijk 3, 5271 VG St. Michielsgestel, Netherlands.

Primary Examiner — T. Chase Nelson

Assistant Examiner — Eric Goodman

(74) *Attorney, Agent, or Firm* — Collen IP; Donald J. Ranft

(57) **CLAIM**

The ornamental design for a needle, as shown and described.

DESCRIPTION

FIG. 1 is a right side view of the needle point of my new, original and ornamental design for a needle;

FIG. 2 is a top view of the entire needle thereof;

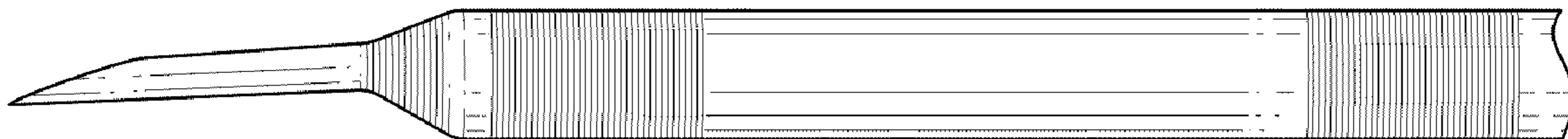
FIG. 3 is a partial left top perspective view of the needle point thereof;

FIG. 4 is another left top perspective view thereof; and,

FIG. 5 is another left top perspective view thereof.

The portions of the needle shown in broken lines form no part of the claimed design. All views, excepting FIGS. 2 and 3, are of the portion of the needle within the broken line circle shown in FIG. 2.

1 Claim, 3 Drawing Sheets



US D644,732 S

Page 2

U.S. PATENT DOCUMENTS

D531,726 S	*	11/2006	Blanco et al.	D24/146	D609,806 S	*	2/2010	Uchida et al.	D24/130
D580,052 S	*	11/2008	White	D24/133	2006/0271001 A1	*	11/2006	Hirota et al.	604/263
D607,100 S	*	12/2009	Uchida et al.	D24/130	2009/0318877 A1	*	12/2009	Korn	604/198
D609,804 S	*	2/2010	Uchida et al.	D24/112					

* cited by examiner

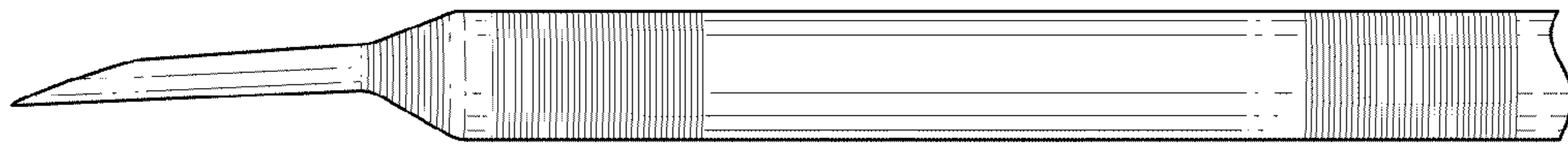


FIG. 1

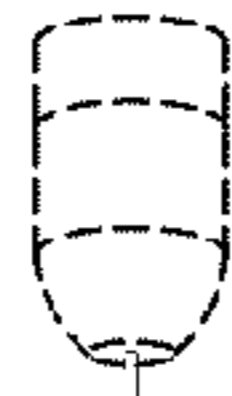


FIG. 2

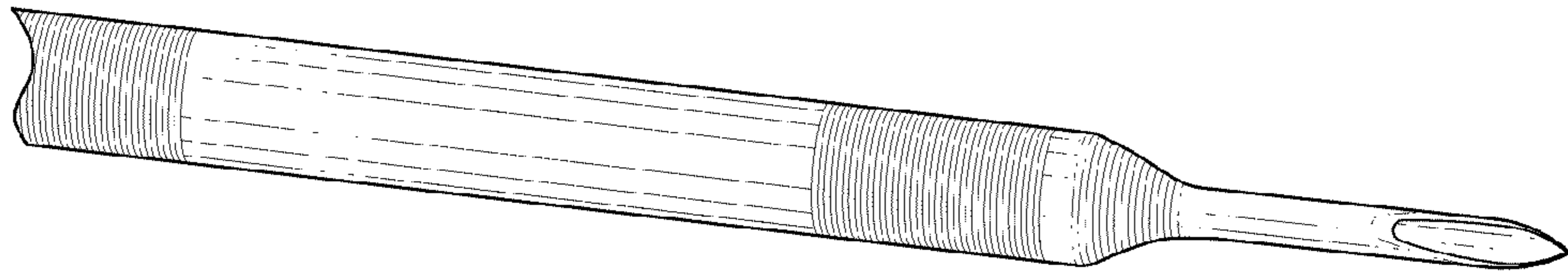


FIG. 3

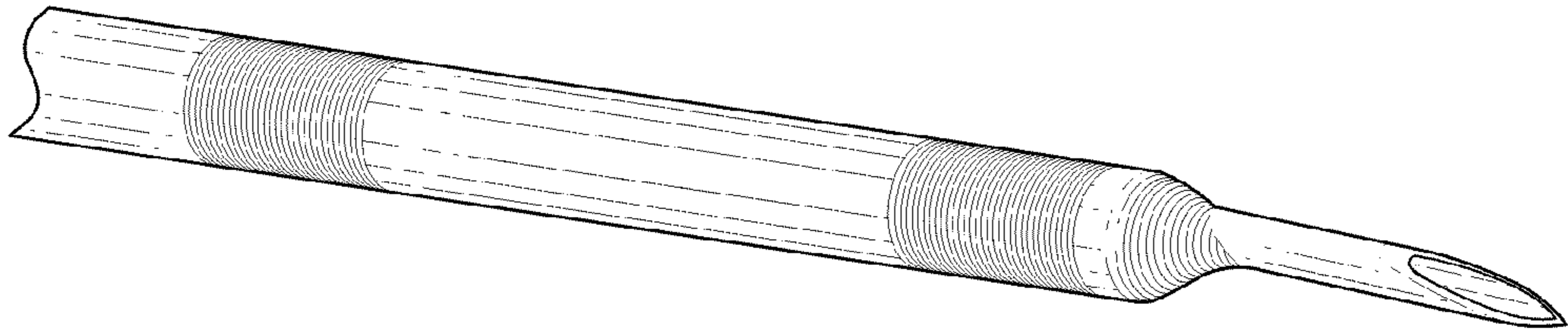


FIG. 4

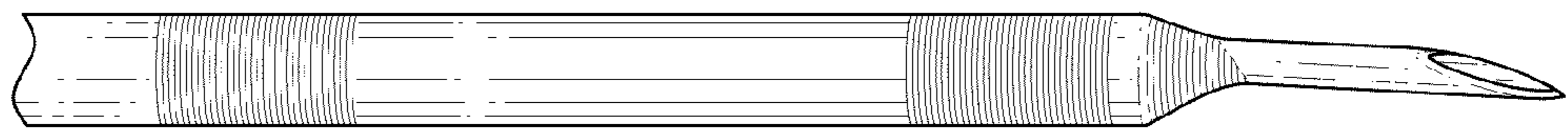


FIG. 5