



US00D644730S

(12) **United States Design Patent**  
**Franzoni et al.**

(10) **Patent No.:** **US D644,730 S**

(45) **Date of Patent:** **\*\* Sep. 6, 2011**

(54) **MODULE FOR FLUID TRANSPORT OF MEDICAL FLUID AND BLOOD**

(75) Inventors: **Giuseppe Franzoni**, Sassuolo (IT); **Ranko Sakota**, Naples (IT); **Luca Caleffi**, Carpi (IT)

(73) Assignee: **Gambro Lundia AB**, Lund (SE)

(\*\*) Term: **14 Years**

(21) Appl. No.: **29/318,836**

(22) Filed: **May 29, 2008**

(30) **Foreign Application Priority Data**

Apr. 11, 2008 (EP) ..... 000917679

(51) **LOC (9) Cl.** ..... **24-02**

(52) **U.S. Cl.** ..... **D24/111**

(58) **Field of Classification Search** ..... D24/111,  
D24/169, 186; 604/28, 29, 30, 34, 151, 153,  
604/118, 4.11, 6.01; 210/645, 646

See application file for complete search history.

(56) **References Cited**

**U.S. PATENT DOCUMENTS**

4,263,808	A *	4/1981	Bellotti et al. ....	73/714
4,436,620	A	3/1984	Bellotti et al.	
4,666,598	A	5/1987	Heath et al.	
4,681,606	A	7/1987	Swan, Jr. et al.	
D305,150	S *	12/1989	Pastrone .....	D24/111
4,909,713	A	3/1990	Finsternwald et al.	
D342,312	S *	12/1993	Pastrone et al. ....	D24/111
D348,730	S *	7/1994	Walker et al. ....	D24/111
D350,823	S *	9/1994	Lanigan .....	D24/111
D357,312	S *	4/1995	Riquier et al. ....	D24/111
5,441,636	A	8/1995	Chevallet et al.	
5,591,251	A	1/1997	Brugger	
5,605,540	A	2/1997	Utterberg	

D447,558	S *	9/2001	Cartledge et al. ....	D24/111
D476,414	S *	6/2003	Buck et al. ....	D24/111
7,316,662	B2	1/2008	Delnevo et al.	
D579,553	S *	10/2008	Crnkovich et al. ....	D24/111
D606,197	S *	12/2009	Collins et al. ....	D24/169
D616,539	S *	5/2010	McGill .....	D24/111
2003/0102264	A1 *	6/2003	Pope et al. ....	210/646
2005/0069437	A1	3/2005	Mittelstein et al.	
2005/0131331	A1	6/2005	Kelly et al.	
2007/0269340	A1	11/2007	Dannenmaier et al.	

**FOREIGN PATENT DOCUMENTS**

IT	1222122	8/1990
IT	ITTO950538	12/1996
WO	WO2004004807	1/2004
WO	WO2005033513	4/2005
WO	WO2005044340	5/2005
WO	WO2005044341	5/2005

\* cited by examiner

*Primary Examiner* — Ian Simmons

*Assistant Examiner* — Carissa C Fitts

(74) *Attorney, Agent, or Firm* — Pearne & Gordon LLP

(57) **CLAIM**

The ornamental design for a module for fluid transport of medical fluid and blood, as shown and described.

**DESCRIPTION**

FIG. 1 is a front perspective view of a first embodiment of a module for fluid transport of medical fluid and blood, showing our new design;

FIG. 2 is a bottom plan view thereof;

FIG. 3 is a front elevational view thereof;

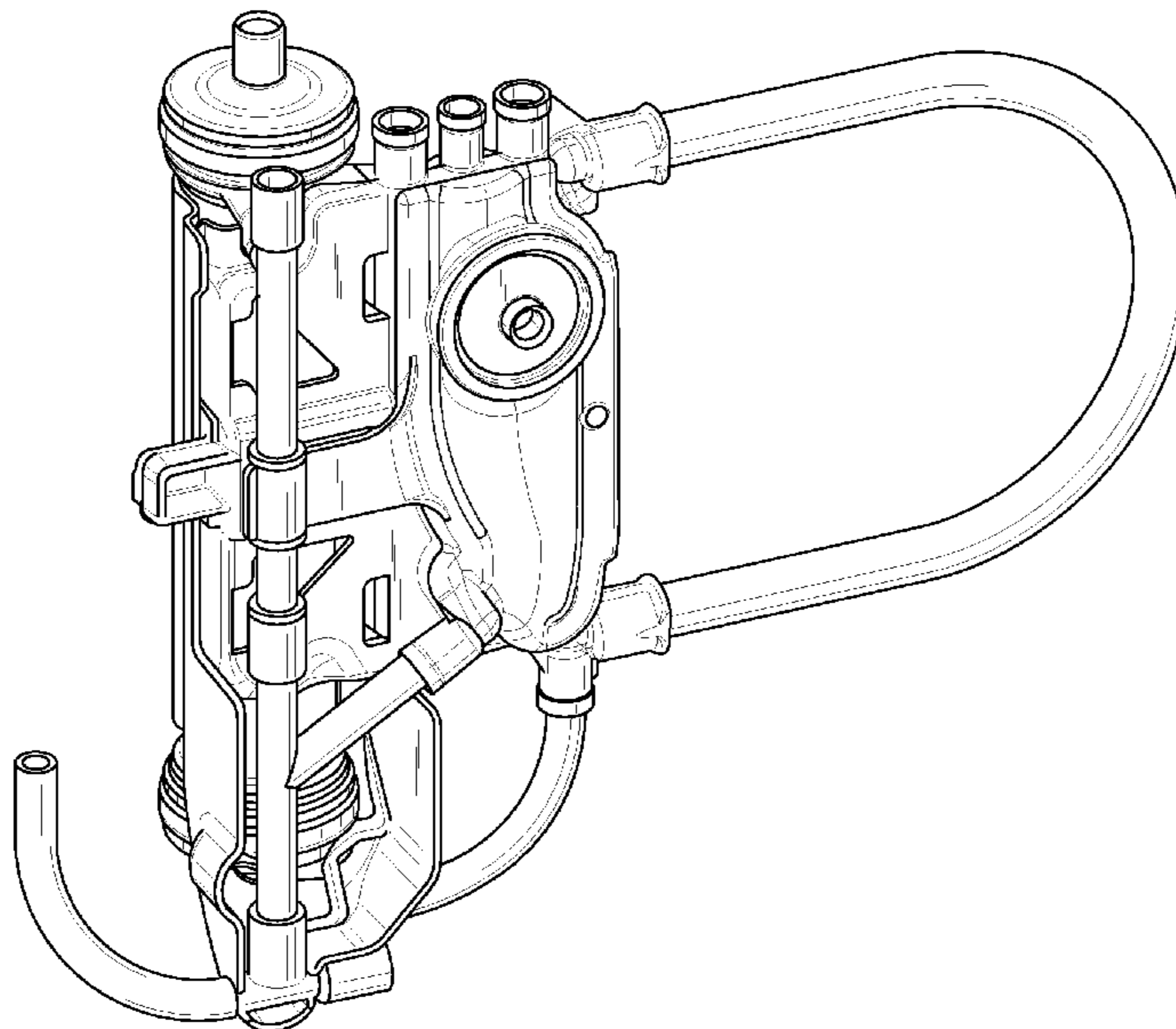
FIG. 4 is a left side elevational view thereof;

FIG. 5 is a back elevational view thereof;

FIG. 6 is a right side elevation view thereof; and,

FIG. 7 is a top plan view thereof.

**1 Claim, 4 Drawing Sheets**



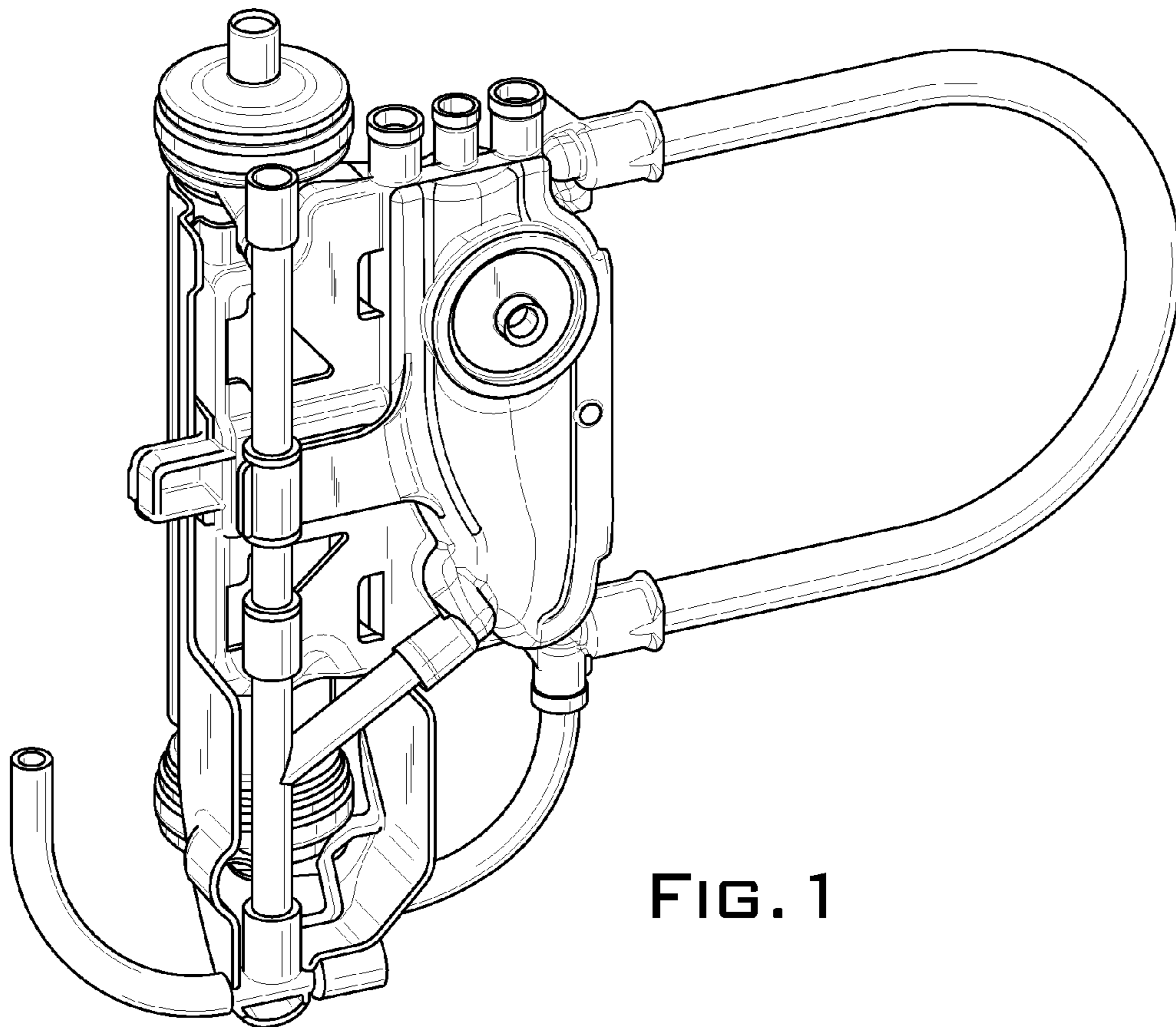


FIG. 1

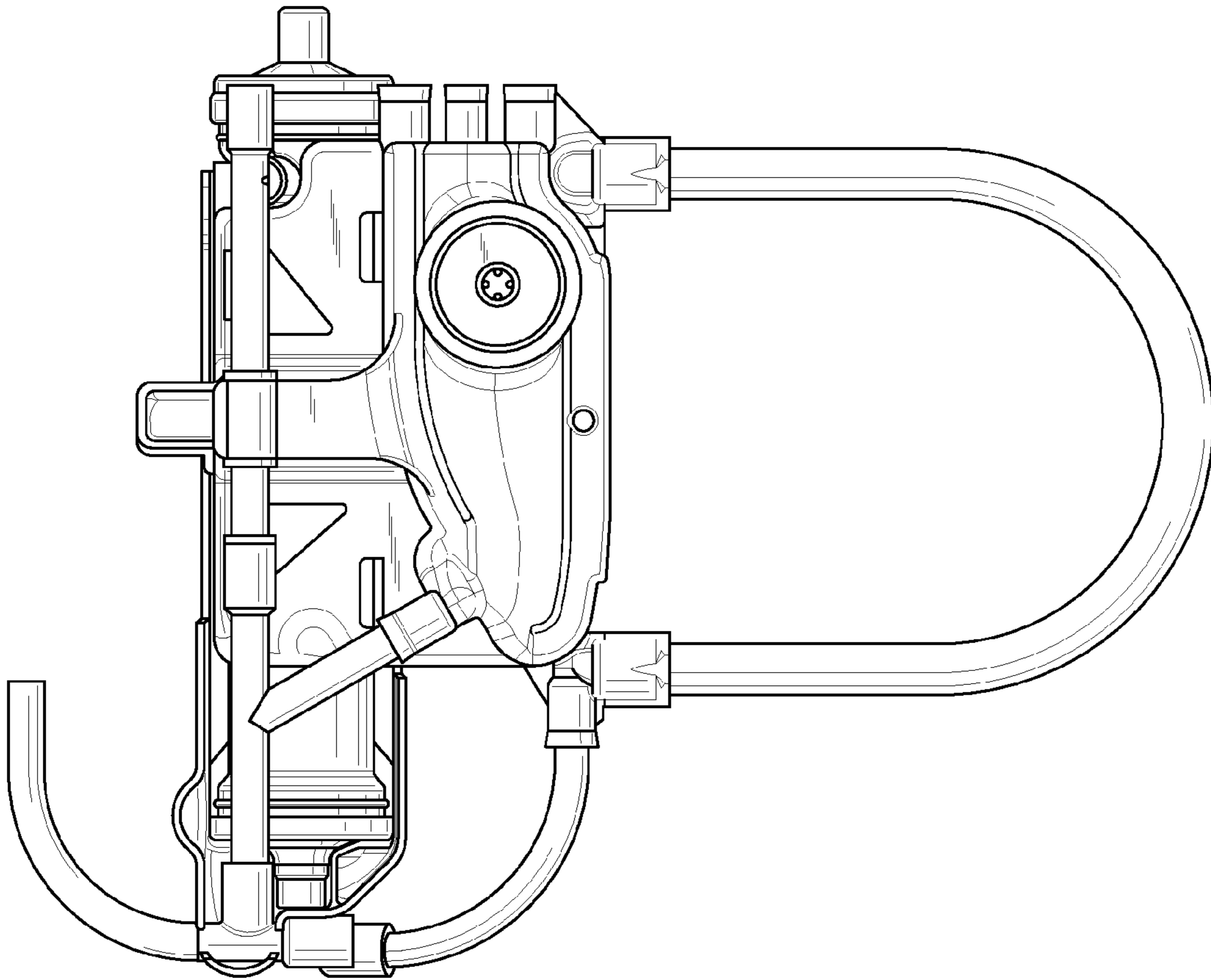


FIG. 3

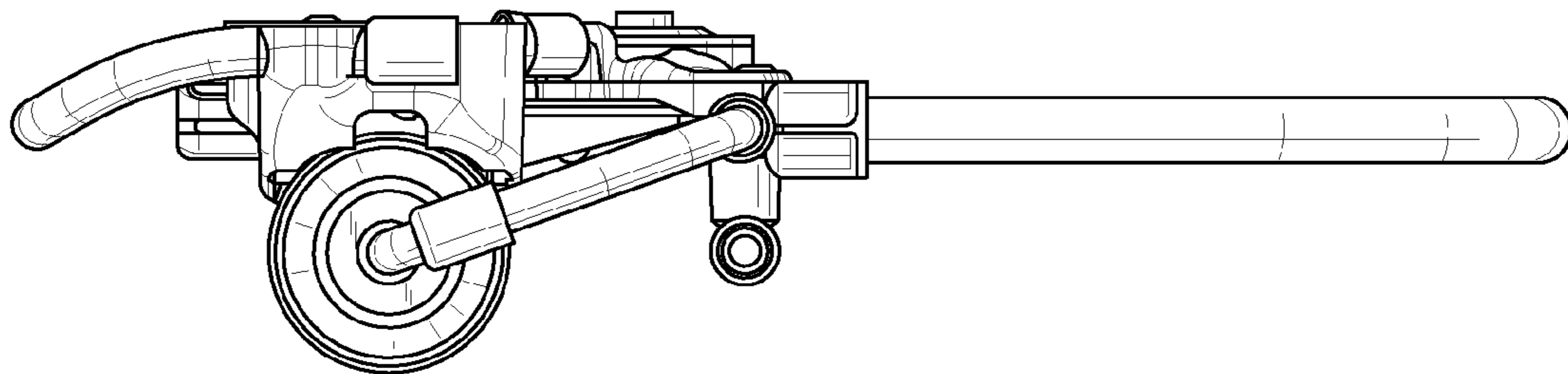


FIG. 2

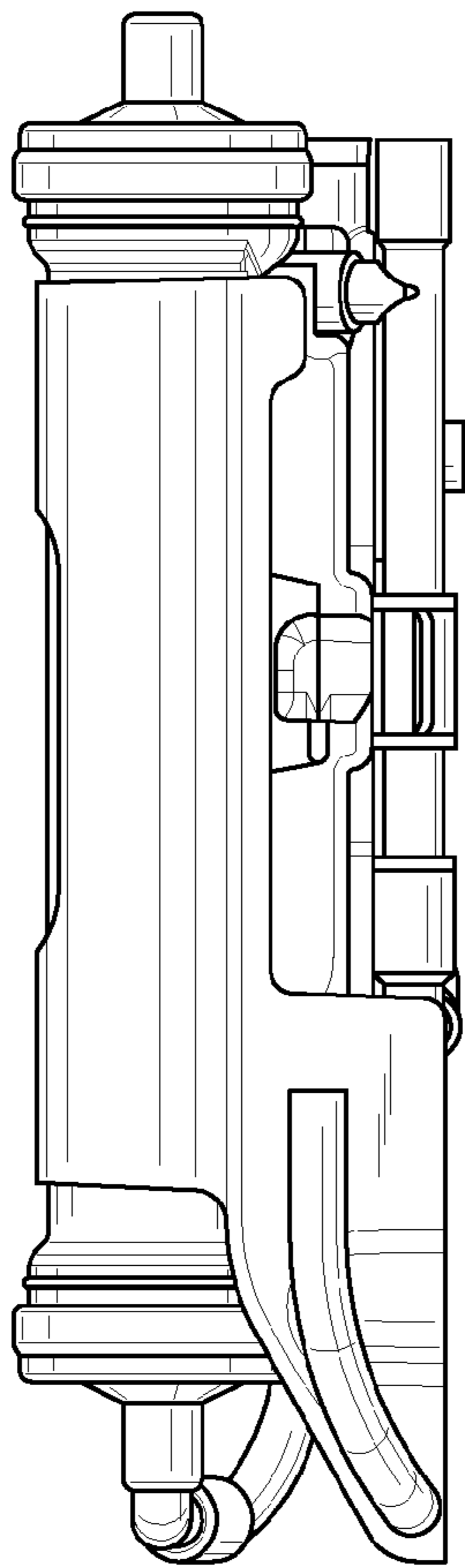


FIG. 4

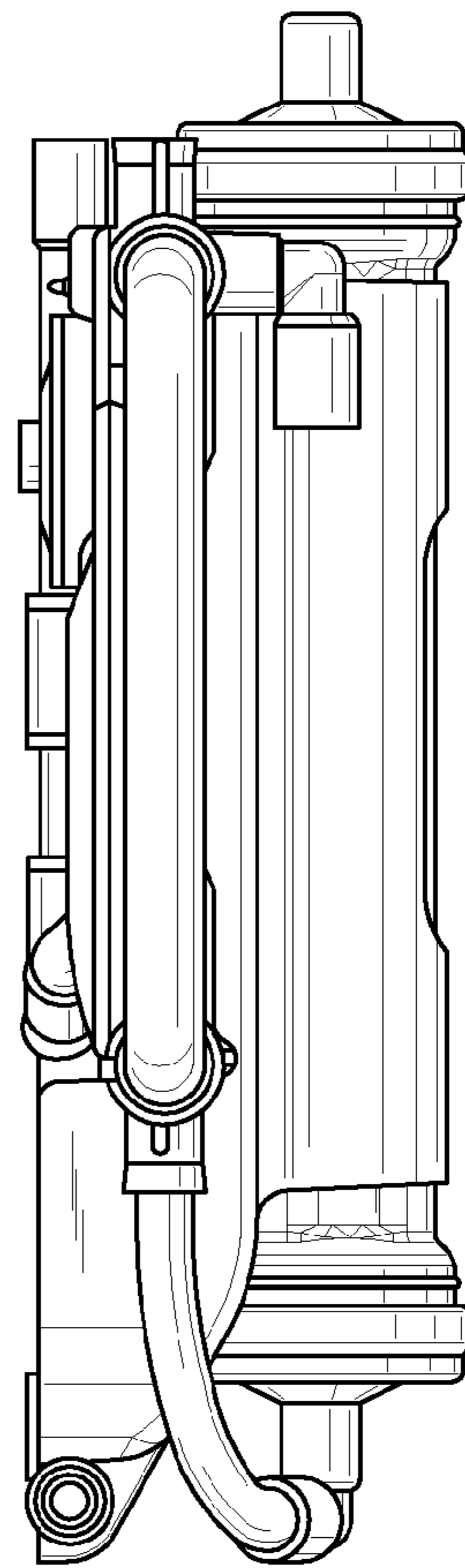


FIG. 6

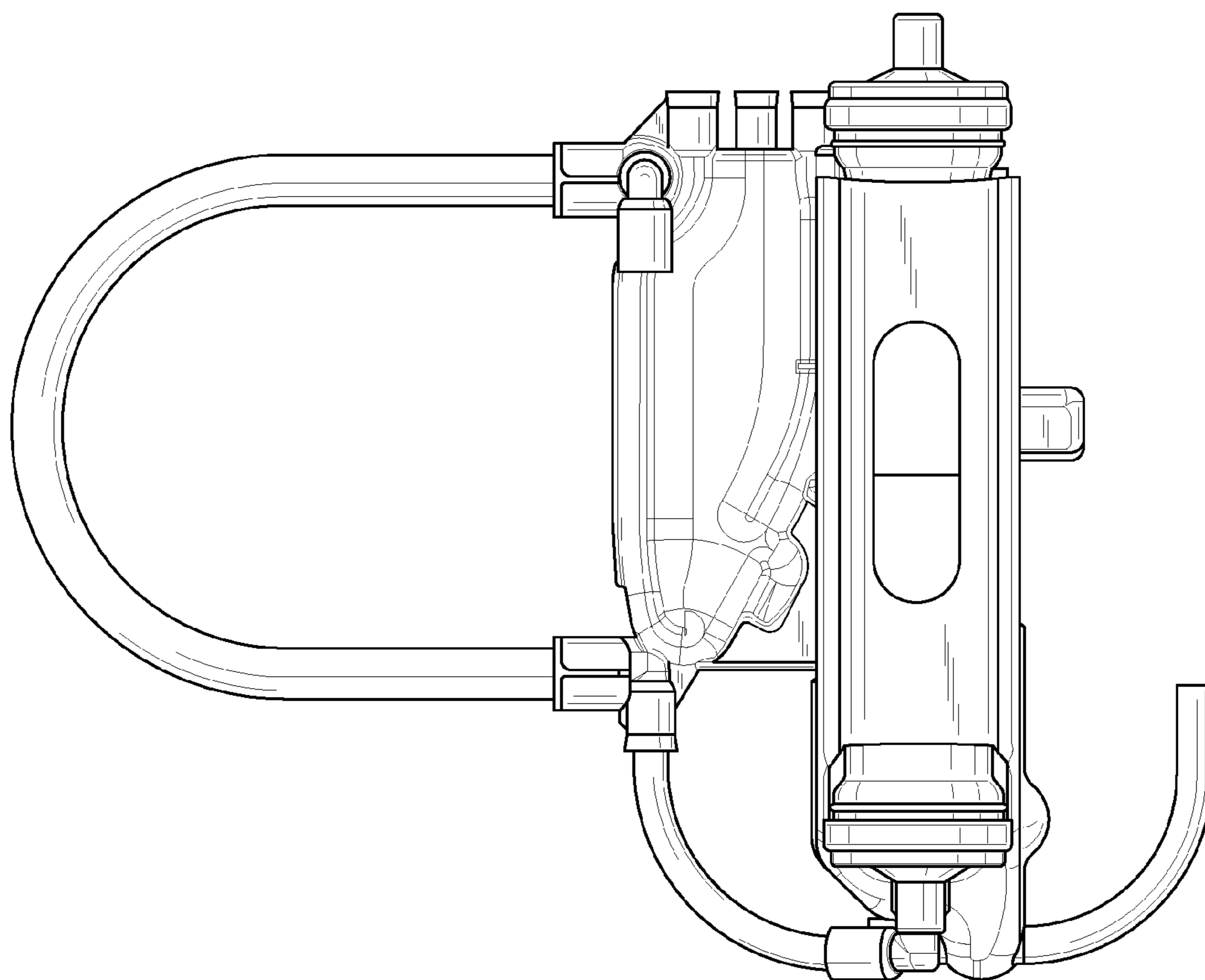


FIG. 5

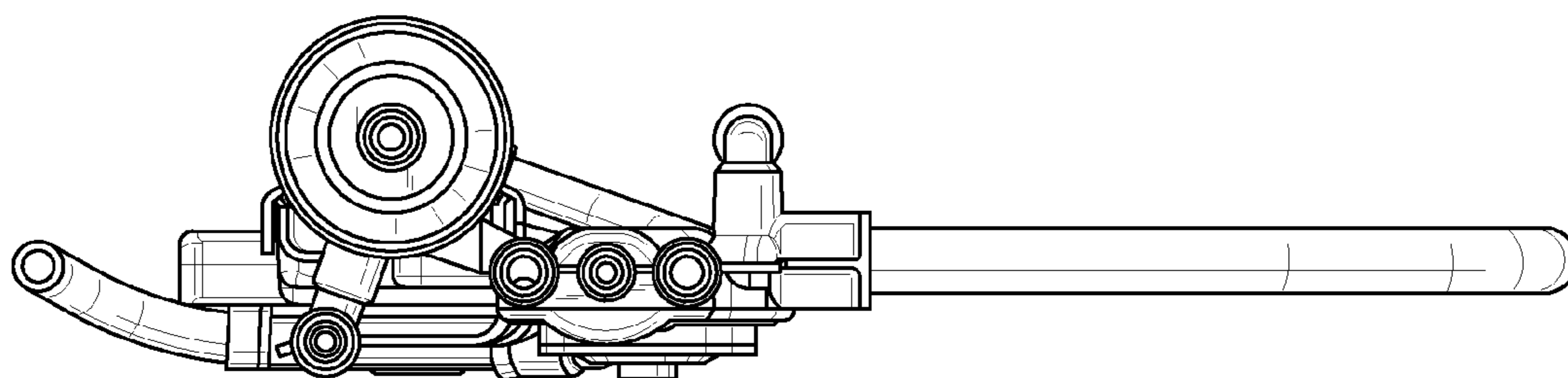


FIG. 7