



US00D644725S

(12) **United States Design Patent**
Kim

(10) **Patent No.:** **US D644,725 S**
(45) **Date of Patent:** **** Sep. 6, 2011**

(54) **DEVICE FROM WHICH IS EMITTING A MIST**

(75) Inventor: **Hae Jin Kim**, Seoul-si (KR)

(73) Assignee: **GHD Korea, Inc.**, Cheonan-si, Chungcheongnam-do (KR)

(**) Term: **14 Years**

(21) Appl. No.: **29/382,451**

(22) Filed: **Jan. 4, 2011**

(30) **Foreign Application Priority Data**

Dec. 17, 2010 (KR) 30-2010-0054792

(51) **LOC (9) Cl.** **28-99**

(52) **U.S. Cl.** **D23/366**

(58) **Field of Classification Search** D23/355-369;
D28/5, 6; 261/DIG. 17, DIG. 42, DIG. 65,
261/DIG. 88, DIG. 89; 392/386, 390, 391,
392/392, 393, 394, 395; 239/34, 35, 44-47,
239/50, 53, 56, 60, 145, 326

See application file for complete search history.

(56) **References Cited**

U.S. PATENT DOCUMENTS

D269,902 S * 7/1983 Edwards D23/369
D270,863 S * 10/1983 Martinez D28/91.1
D271,245 S * 11/1983 Martinez D28/91.1

D281,281 S * 11/1985 Matalon D28/5
5,304,358 A * 4/1994 Hoyt et al. 422/305
D503,467 S * 3/2005 Flashinski et al. D23/366
D512,493 S * 12/2005 Haranaka D23/355
D537,930 S * 3/2007 Nelson D23/366
D538,914 S * 3/2007 Nelson D23/366
D575,859 S * 8/2008 Scimone D23/366
D575,860 S * 8/2008 Wu D23/366
2010/0140371 A1 * 6/2010 Zuo 239/34
2010/0288847 A1 * 11/2010 Gruenbacher et al. 239/34

* cited by examiner

Primary Examiner — Sandra Snapp

(74) *Attorney, Agent, or Firm* — Duane Morris LLP; J. Rodman Steele, Jr.; Gregory M. Lefkowitz

(57) **CLAIM**

The ornamental design for a device from which is emitting a mist, as shown and described.

DESCRIPTION

FIG. 1 is a perspective view of a device from which is emitting a mist in accordance with the new design;
FIG. 2 is a front elevational view thereof;
FIG. 3 is a rear elevational view thereof;
FIG. 4 is a left side elevational view thereof;
FIG. 5 is a right side elevational view thereof;
FIG. 6 is a top plan view thereof;
FIG. 7 is a bottom plan view thereof; and,
FIG. 8 is a rear perspective view thereof.

1 Claim, 4 Drawing Sheets

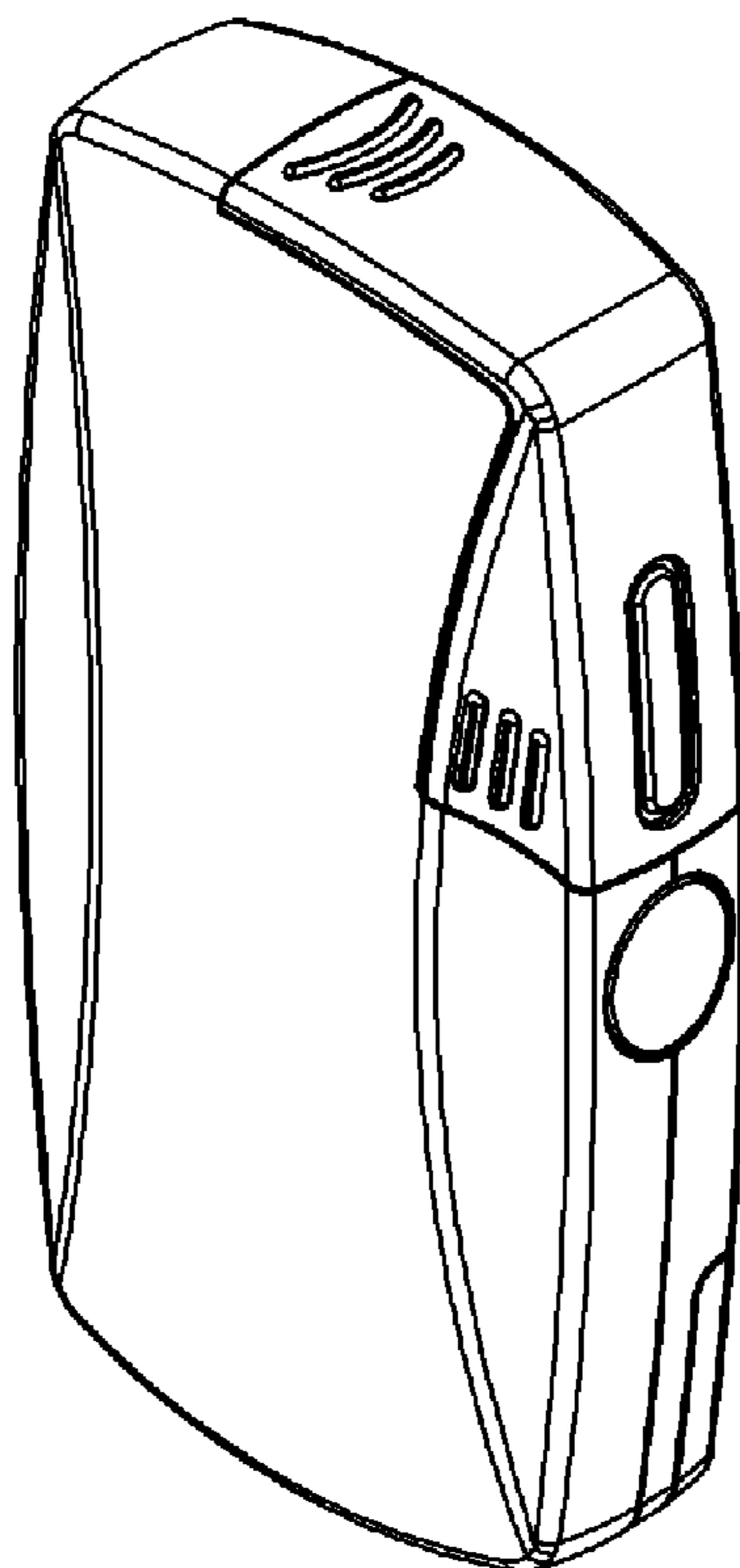


Fig. 1

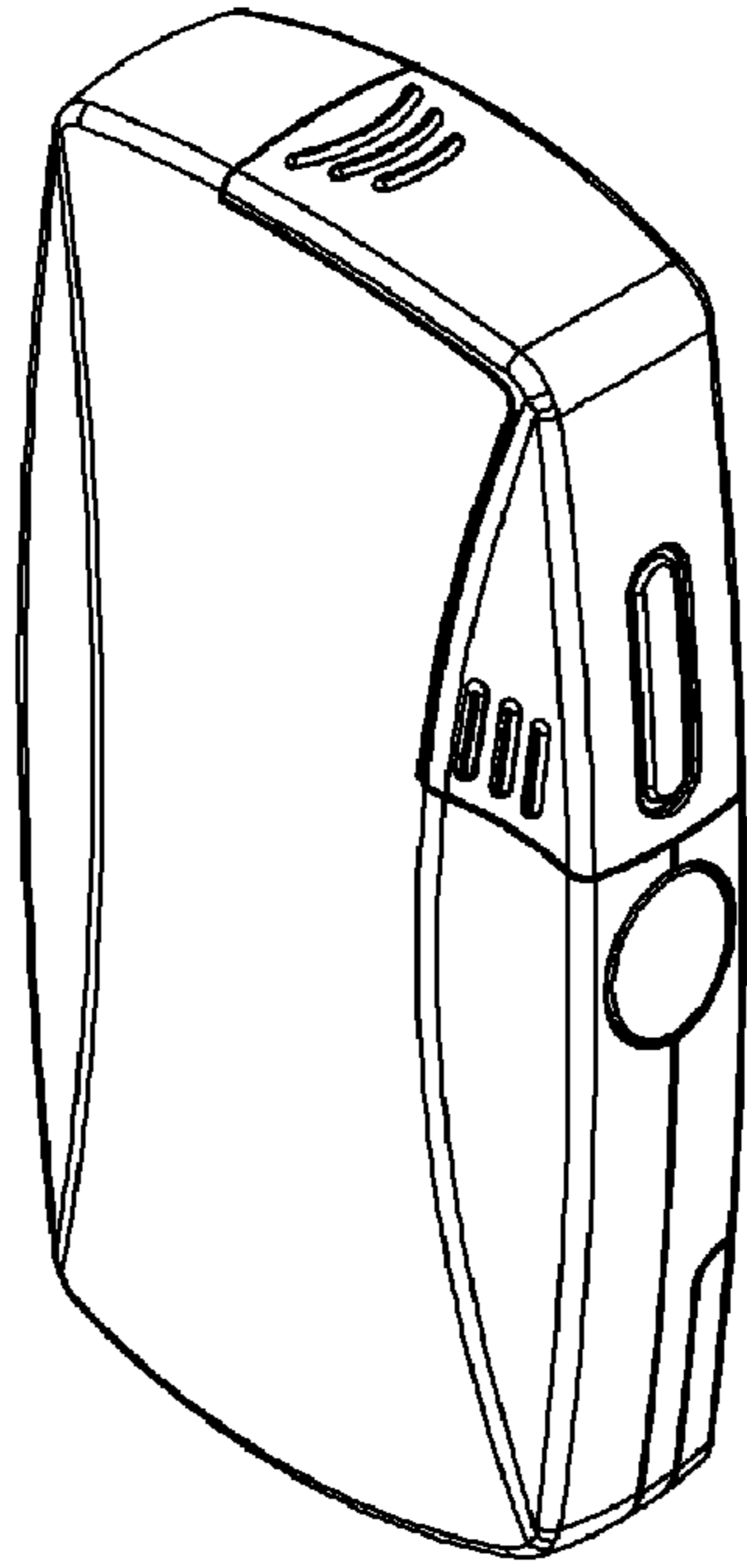


Fig. 2

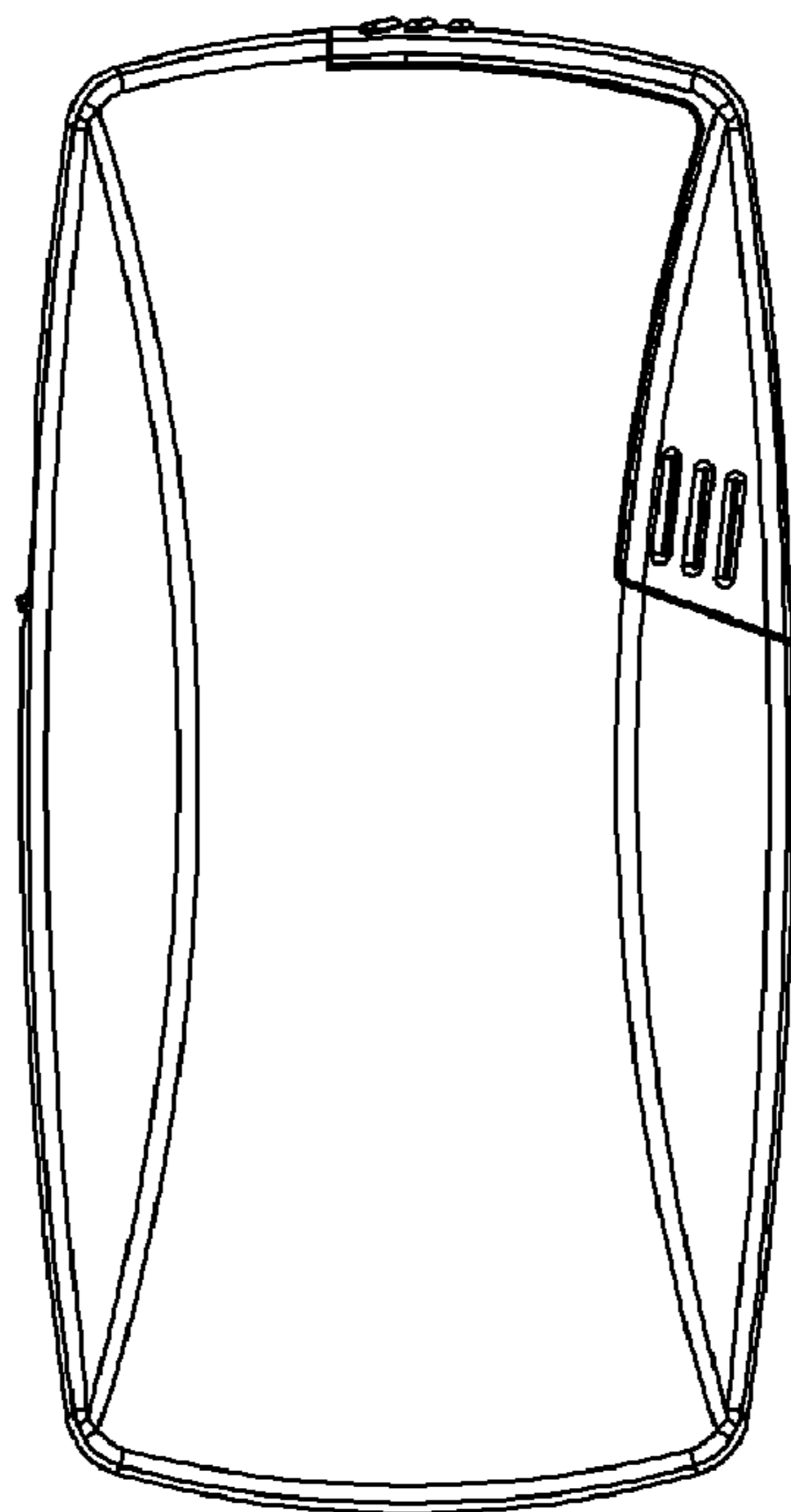


Fig. 3

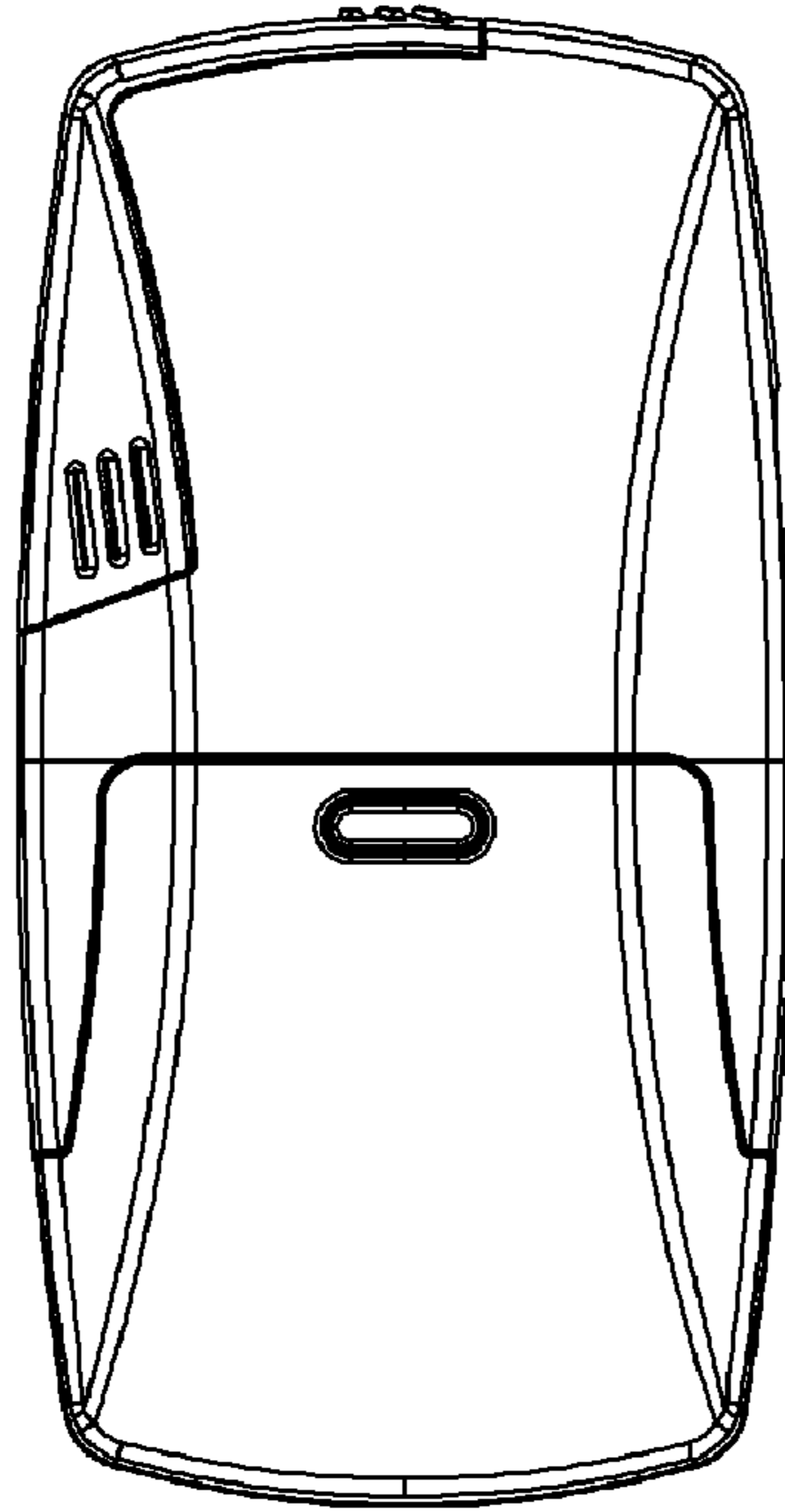


Fig. 4

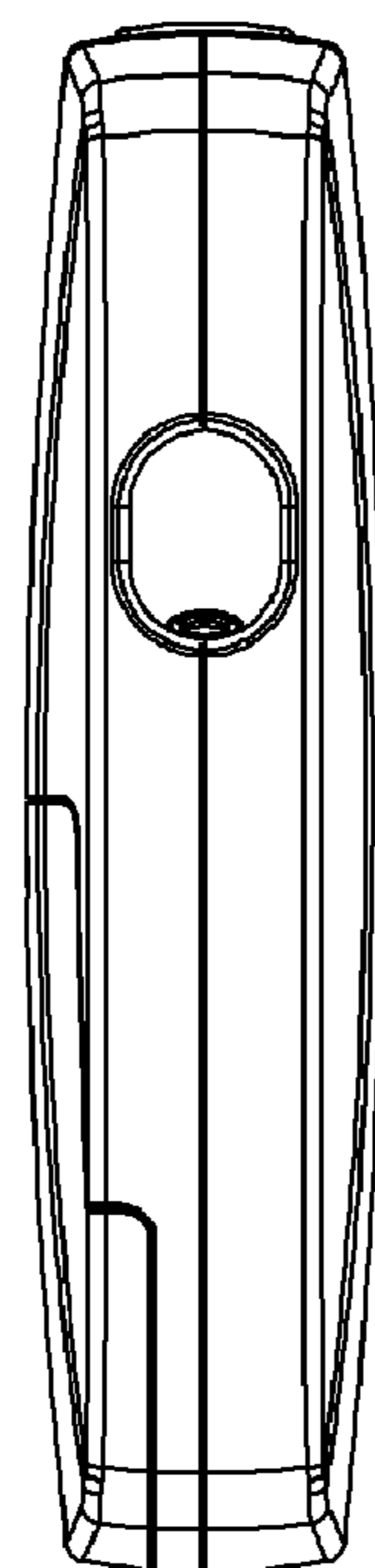


Fig. 5

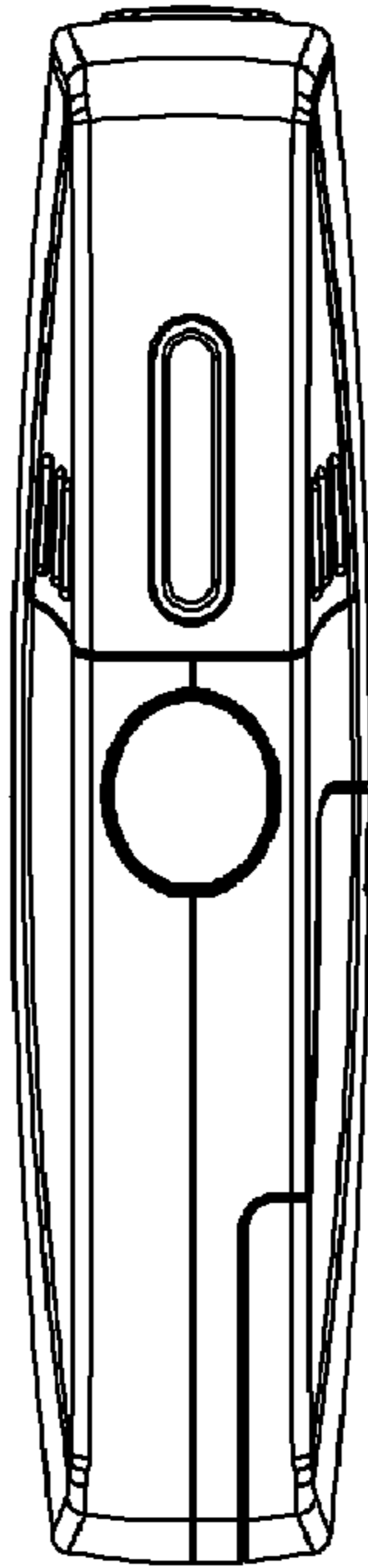


Fig. 6

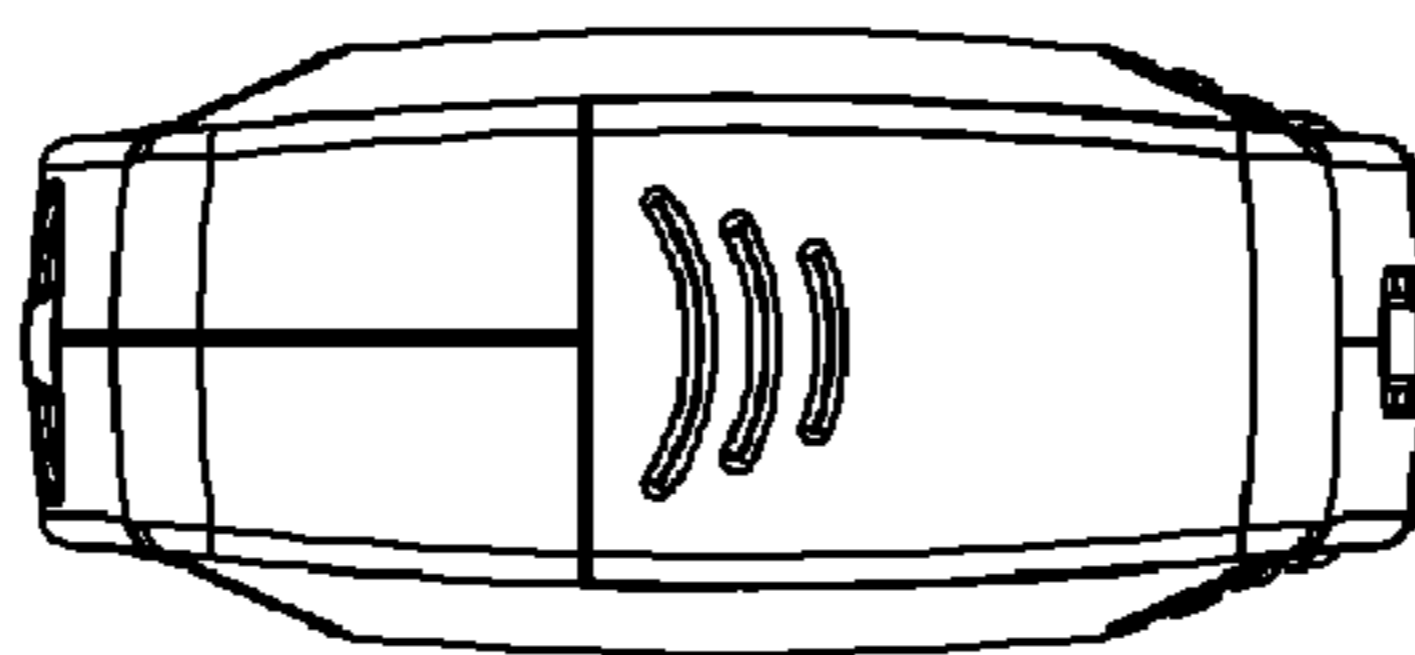


Fig. 7

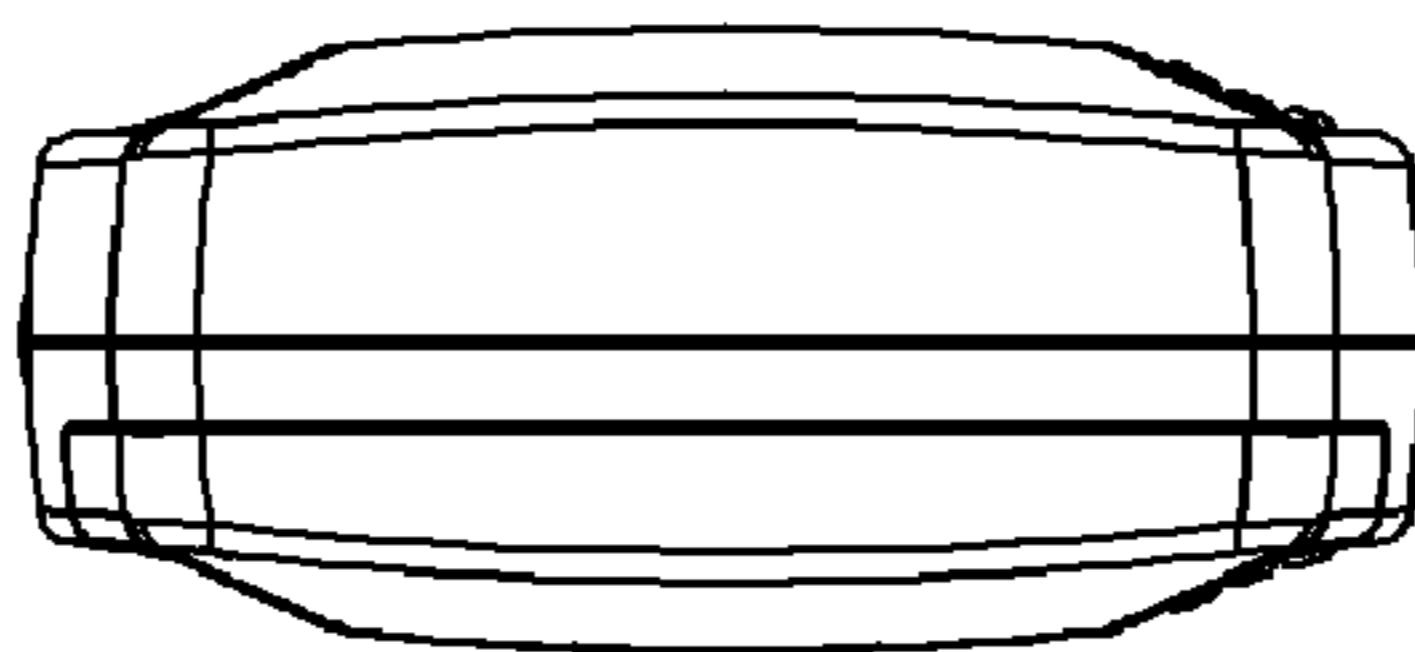


Fig. 8

