



US00D644722S

(12) **United States Design Patent**  
**Bond et al.**

(10) **Patent No.:** **US D644,722 S**  
(45) **Date of Patent:** **\*\* Sep. 6, 2011**

(54) **FLANGE JOINT SEALING GASKET WITH A HANDLE**

(75) Inventors: **Stephen Peter Bond**, Houston, TX (US);  
**Anthony Russell Currie**, Duncaster (GB); **Stephen Woolfenden**, Rochdale (GB); **Dean John Kirby**, Leeds (GB)

(73) Assignee: **Flexitallic Investments, Inc.**,  
Kingwood, TX (US)

(\*\*) Term: **14 Years**

(21) Appl. No.: **29/381,733**

(22) Filed: **Dec. 22, 2010**

(30) **Foreign Application Priority Data**

Nov. 24, 2010 (EM) ..... 1246516

(51) **LOC (9) Cl.** ..... **23-01**

(52) **U.S. Cl.** ..... **D23/269**

(58) **Field of Classification Search** ..... D23/269;  
277/312-316, 27 R, 27 A, 215, 166, 235 B,  
277/22; 215/250, 276, 350

See application file for complete search history.

(56) **References Cited**

**U.S. PATENT DOCUMENTS**

D35,064 S \* 9/1901 Pulcife ..... D23/269  
1,942,704 A \* 1/1934 Hubbard et al. .... 277/601

D269,111 S \* 5/1983 Logsdon ..... D23/269  
4,778,189 A \* 10/1988 Udagawa ..... 277/648  
4,962,938 A \* 10/1990 Cooper ..... 277/598  
D372,074 S \* 7/1996 Wallace et al. .... D23/269  
D375,150 S \* 10/1996 Wainer ..... D23/269  
D633,183 S \* 2/2011 Heintzman ..... D23/269  
2008/0012324 A1 \* 1/2008 Dole et al. .... 285/339

\* cited by examiner

*Primary Examiner* — T. Chase Nelson

*Assistant Examiner* — Eric Goodman

(74) *Attorney, Agent, or Firm* — Kilpatrick Townsend & Stockton LLP

(57) **CLAIM**

The ornamental design for a flange joint sealing gasket with a handle, as shown and described.

**DESCRIPTION**

FIG. 1 is a perspective view of the left, front, and bottom of a flange joint sealing gasket with a handle, showing our new design.

FIG. 2 is a front view thereof, the rear view being a mirror image of the front view.

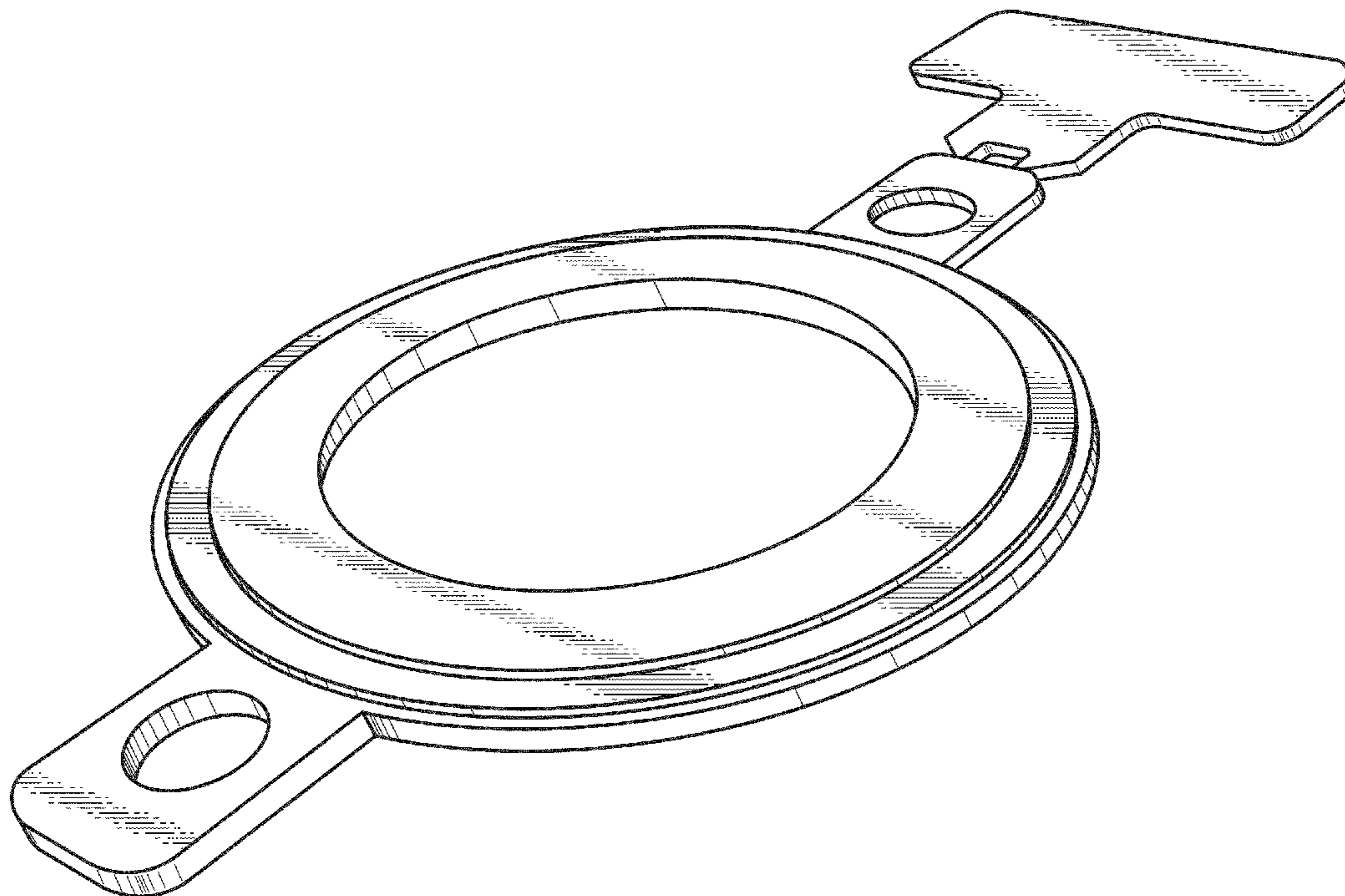
FIG. 3 is a bottom view thereof, the top view being a mirror image of the bottom view.

FIG. 4 is a left side view thereof; and,

FIG. 5 is a right side view thereof.

Portions or features of the article not shown in the drawings form no part of the claimed design.

**1 Claim, 3 Drawing Sheets**



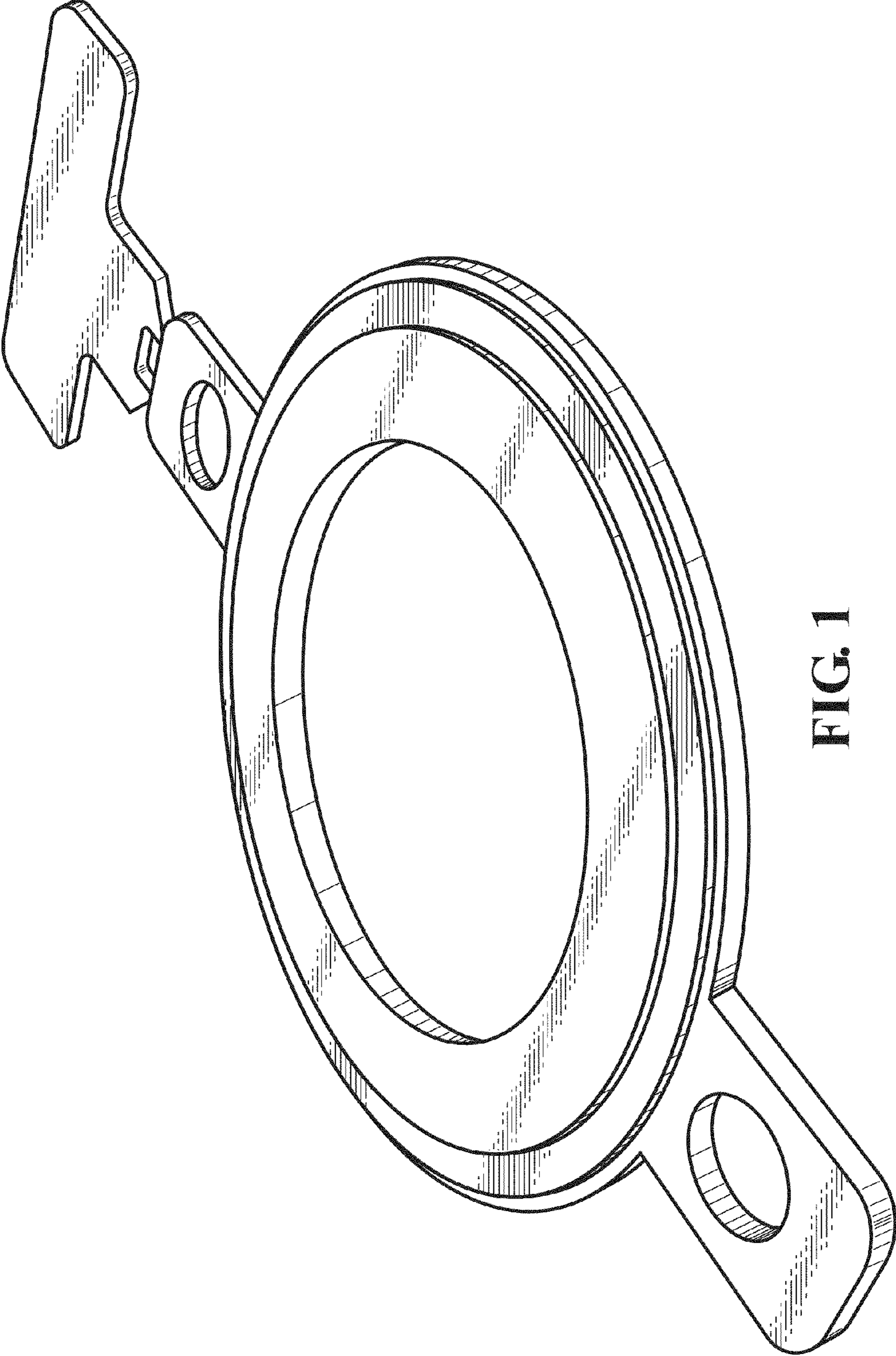


FIG. 1

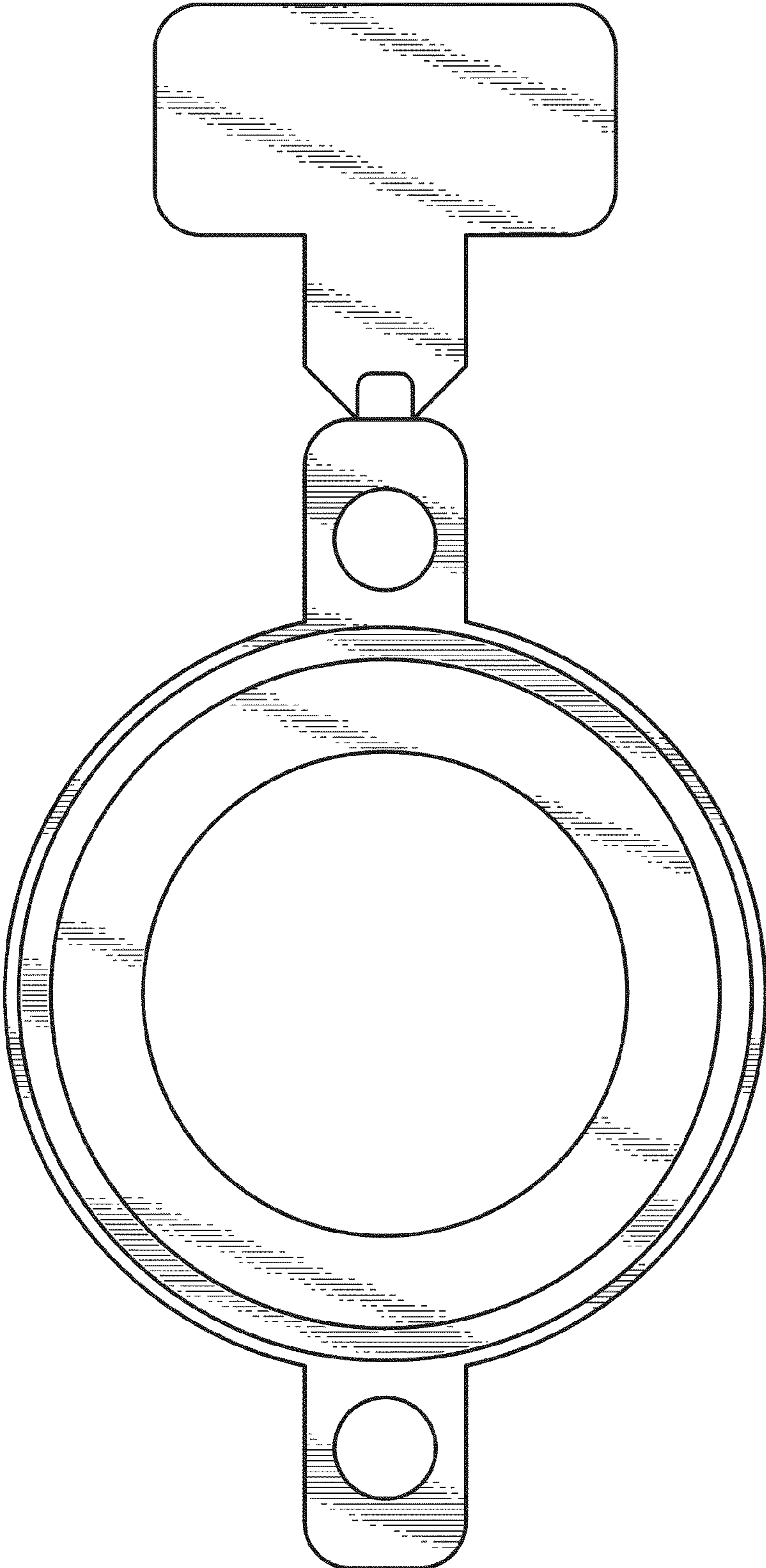


FIG. 2



FIG. 3

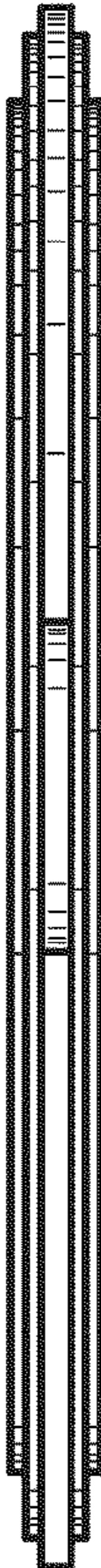


FIG. 4

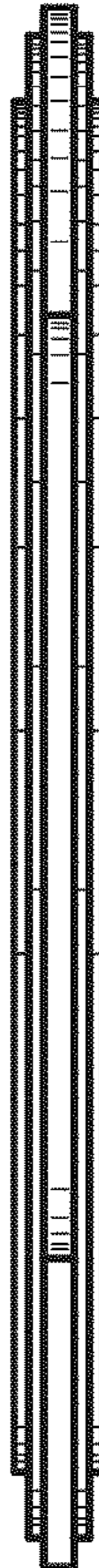


FIG. 5