



US00D644721S

(12) **United States Design Patent**
Bond et al.

(10) **Patent No.:** **US D644,721 S**

(45) **Date of Patent:** **** Sep. 6, 2011**

(54) **FLANGE JOINT SEALING GASKET**

(75) Inventors: **Stephen Peter Bond**, Houston, TX (US);
Anthony Russell Currie, Duncaster
(GB); **Stephen Woolfenden**, Rochdale
(GB); **Dean John Kirby**, Leeds (GB)

(73) Assignee: **Flexitallic Investments, Inc.**,
Kingwood, TX (US)

(**) Term: **14 Years**

(21) Appl. No.: **29/381,729**

(22) Filed: **Dec. 22, 2010**

(30) **Foreign Application Priority Data**

Nov. 24, 2010 (EM) 001246516

(51) **LOC (9) Cl.** **23-01**

(52) **U.S. Cl.** **D23/269**

(58) **Field of Classification Search** D23/269;
277/312-316, 27 R, 27 A, 215, 166, 235 B,
277/22; 215/250, 276, 350

See application file for complete search history.

(56) **References Cited**

U.S. PATENT DOCUMENTS

D35,064 S * 9/1901 Pulcifer D23/269
1,942,704 A * 1/1934 Hubbard et al. 277/601

D269,111 S * 5/1983 Logsdon D23/269
4,778,189 A * 10/1988 Udagawa 277/648
4,962,938 A * 10/1990 Cooper 277/598
D372,074 S * 7/1996 Wallace et al. D23/269
D375,150 S * 10/1996 Wainer D23/269
D633,183 S * 2/2011 Heintzman D23/269
2008/0012324 A1 * 1/2008 Dole et al. 285/339

* cited by examiner

Primary Examiner — T. Chase Nelson

Assistant Examiner — Eric Goodman

(74) *Attorney, Agent, or Firm* — Kilpatrick Townsend &
Stockton LLP

(57) **CLAIM**

The ornamental design for a flange joint sealing gasket, as shown and described.

DESCRIPTION

FIG. 1 is a perspective view of the left, front, and bottom of a flange joint sealing gasket, showing our new design.

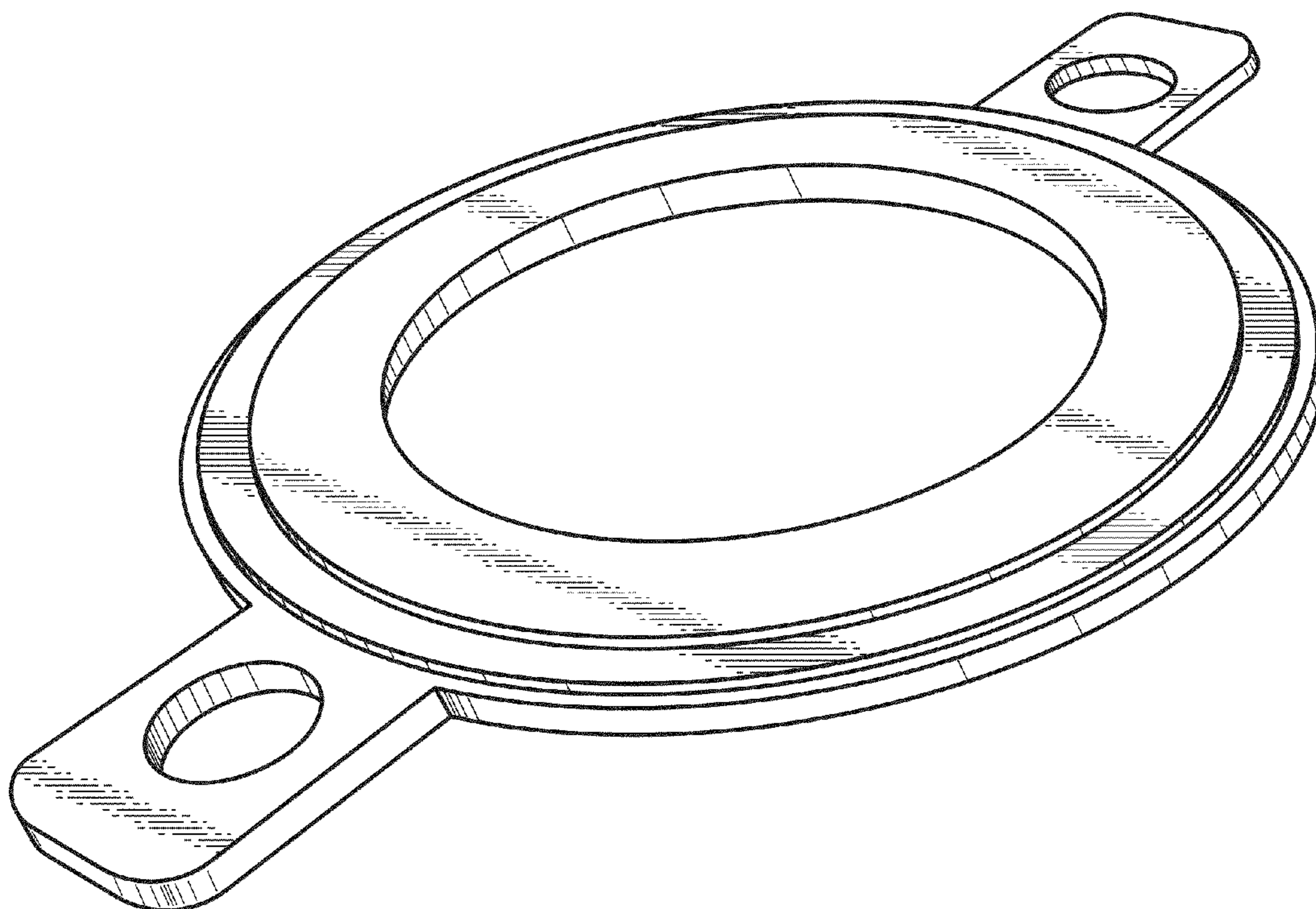
FIG. 2 is a front view thereof, the rear view being identical to the front view.

FIG. 3 is a bottom view thereof, the top view being a mirror image of the bottom view; and,

FIG. 4 is a left side view thereof, the right side view being a mirror image of the left side view.

Portions or features of the article not shown in the drawings form no part of the claimed design.

1 Claim, 3 Drawing Sheets



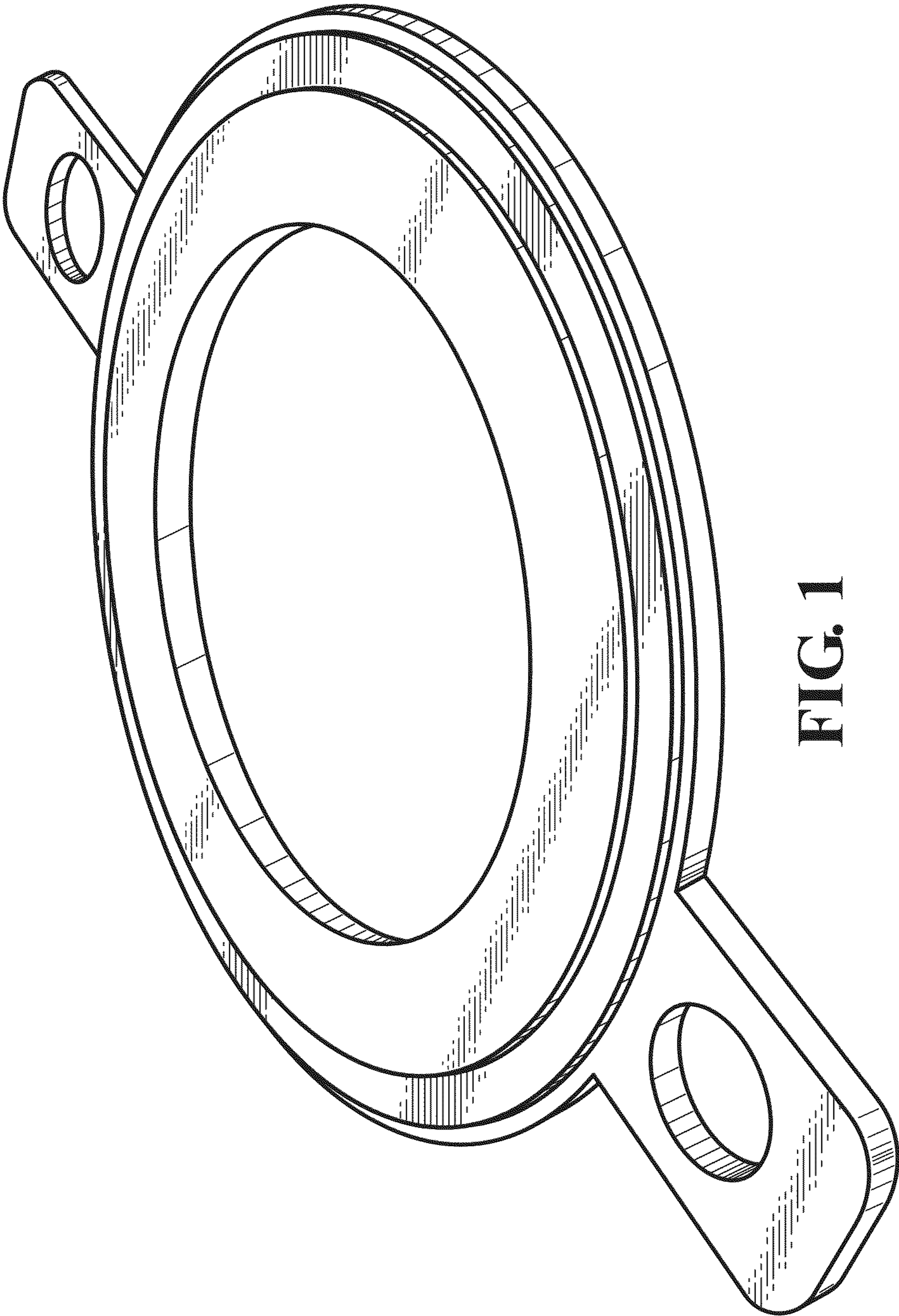


FIG. 1

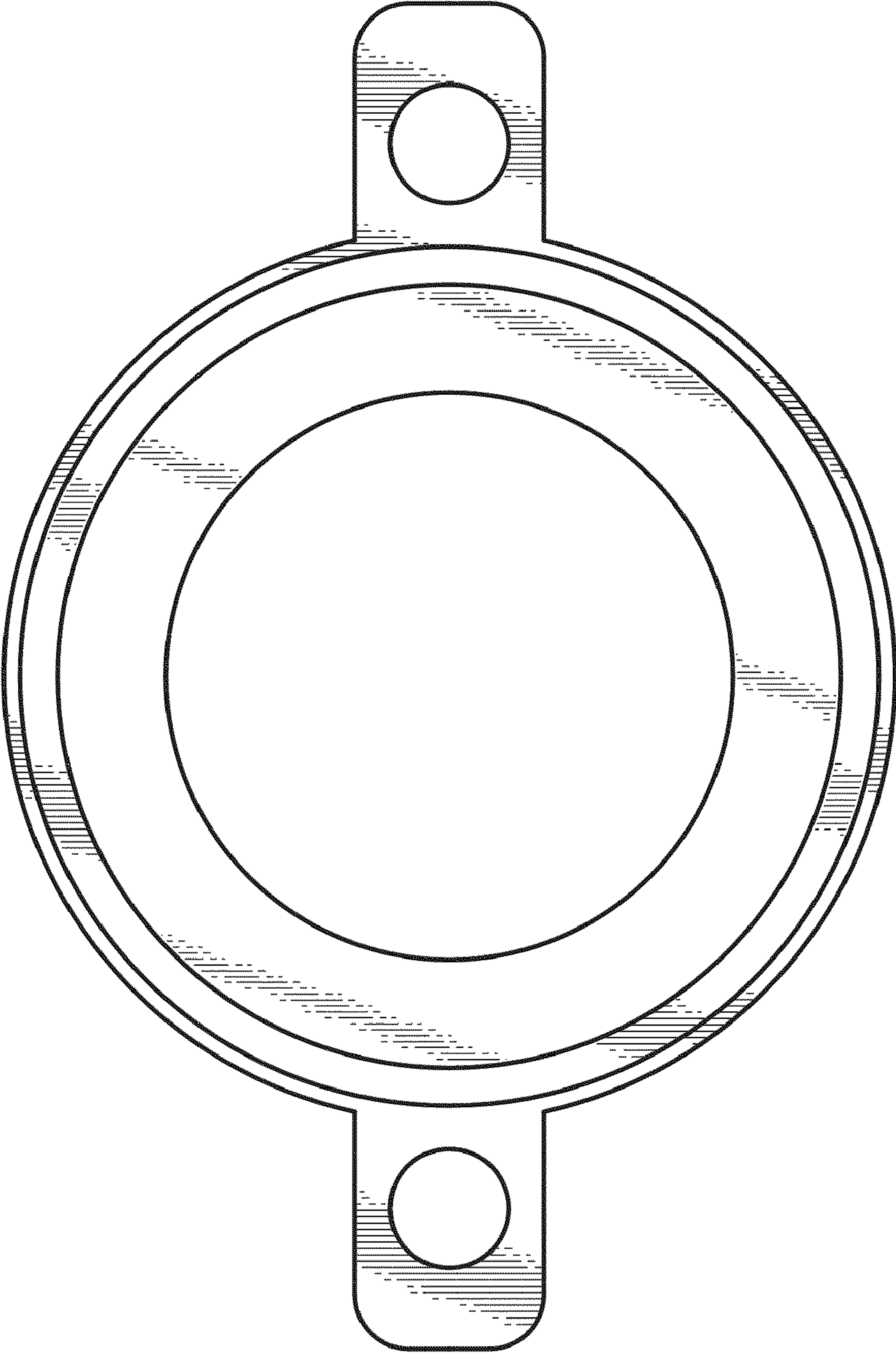


FIG. 2

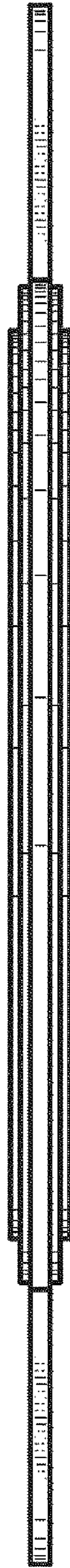


FIG. 3

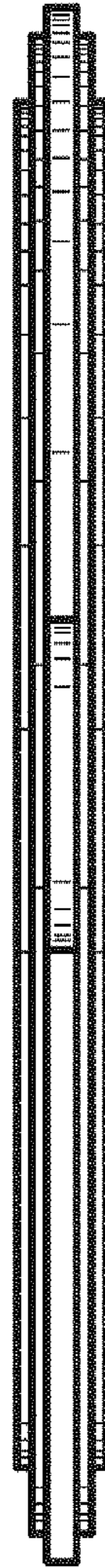


FIG. 4