



US00D644719S

(12) **United States Design Patent**  
**Vish et al.**

(10) **Patent No.:** **US D644,719 S**

(45) **Date of Patent:** **\*\* Sep. 6, 2011**

(54) **FAUCET**

(75) Inventors: **Ron Vish**, West Roxbury, MA (US);  
**Adam O'Hern**, Los Angeles, CA (US)

(73) Assignee: **Sloan Valve Company**, Franklin Park,  
IL (US)

(\*\*) Term: **14 Years**

(21) Appl. No.: **29/365,415**

(22) Filed: **Jul. 8, 2010**

(51) **LOC (9) Cl.** ..... **23-01**

(52) **U.S. Cl.** ..... **D23/255**

(58) **Field of Classification Search** ..... D23/41-243,  
D23/255, 257; 4/675-678; 137/801

See application file for complete search history.

(56) **References Cited**

U.S. PATENT DOCUMENTS

D360,678 S	7/1995	Mine	
D486,560 S	2/2004	Spangler	
D503,217 S	3/2005	Aubry et al.	
D510,978 S	10/2005	Kulig	
D512,125 S	11/2005	Kulig	
D526,699 S	8/2006	Kulig	
D528,640 S	9/2006	Yoshioka	
D530,782 S	10/2006	Starck	
D533,639 S	12/2006	Hoernig	
D534,619 S	1/2007	Garner	
D598,980 S *	8/2009	Zetsche et al.	D23/242
D602,123 S *	10/2009	Sieger	D23/242
D613,822 S *	4/2010	Hanna	D23/242
D615,163 S *	5/2010	Sieger	D23/255
D634,402 S *	3/2011	Zetsche et al.	D23/238

OTHER PUBLICATIONS

“Super Nova Bathroom Hardware by Dornbracht,” <http://www.furniturestoreblog.com/image/2009/04/bath%20faucets.jpg>, 13 pages, Sep. 17, 2009.

“Sensibilité,” Lulu Dornbracht, brochure, Iserlohn, Germany, 22 pages, no date available.

“Electronic Faucet K-13466”, product specification, Kohler Faucets, 2 pages, no date available.

“Geometric Touchless™ Deck-Mounted Fawcet—K-13467,” Kohler Co., Kohler Wisconsin, [http://www.us.kohler.com/onlinecatalog/print.jsp?item=13979202&prod\\_num=13467&category=](http://www.us.kohler.com/onlinecatalog/print.jsp?item=13979202&prod_num=13467&category=), 1 page, Sep. 15, 2009.

“Moen 90 Degree T6720 Chrome Two Handle Low Arc Bathroom Faucet,” <http://designerplumbingoutlet.com/mot6720.html>, 7 pages, Sep. 17, 2009.

“Manhattan—G-3300,” [http://www.graff-faucets.com/vera/pictures/Manhattan-G-3300\\_A\\_scaled.jpg](http://www.graff-faucets.com/vera/pictures/Manhattan-G-3300_A_scaled.jpg), Graff, Milwaukee, Wisconsin, 1 page, Sep. 18, 2009.

“Eco-G-3200,” [http://www.graff-faucets.com/vera/pictures/Eco-G-3200\\_A\\_scaled.jpg](http://www.graff-faucets.com/vera/pictures/Eco-G-3200_A_scaled.jpg), Graff, Milwaukee, Wisconsin, 1 page, Sep. 17, 2009.

(Continued)

*Primary Examiner* — Robert Delehanty

(74) *Attorney, Agent, or Firm* — Foley & Lardner LLP

(57) **CLAIM**

We claim the ornamental design for a faucet, as shown and described.

**DESCRIPTION**

FIG. 1 is a perspective view of a faucet showing our new design;

FIG. 2 is a left side view thereof;

FIG. 3 is a right side view thereof;

FIG. 4 is a front view thereof;

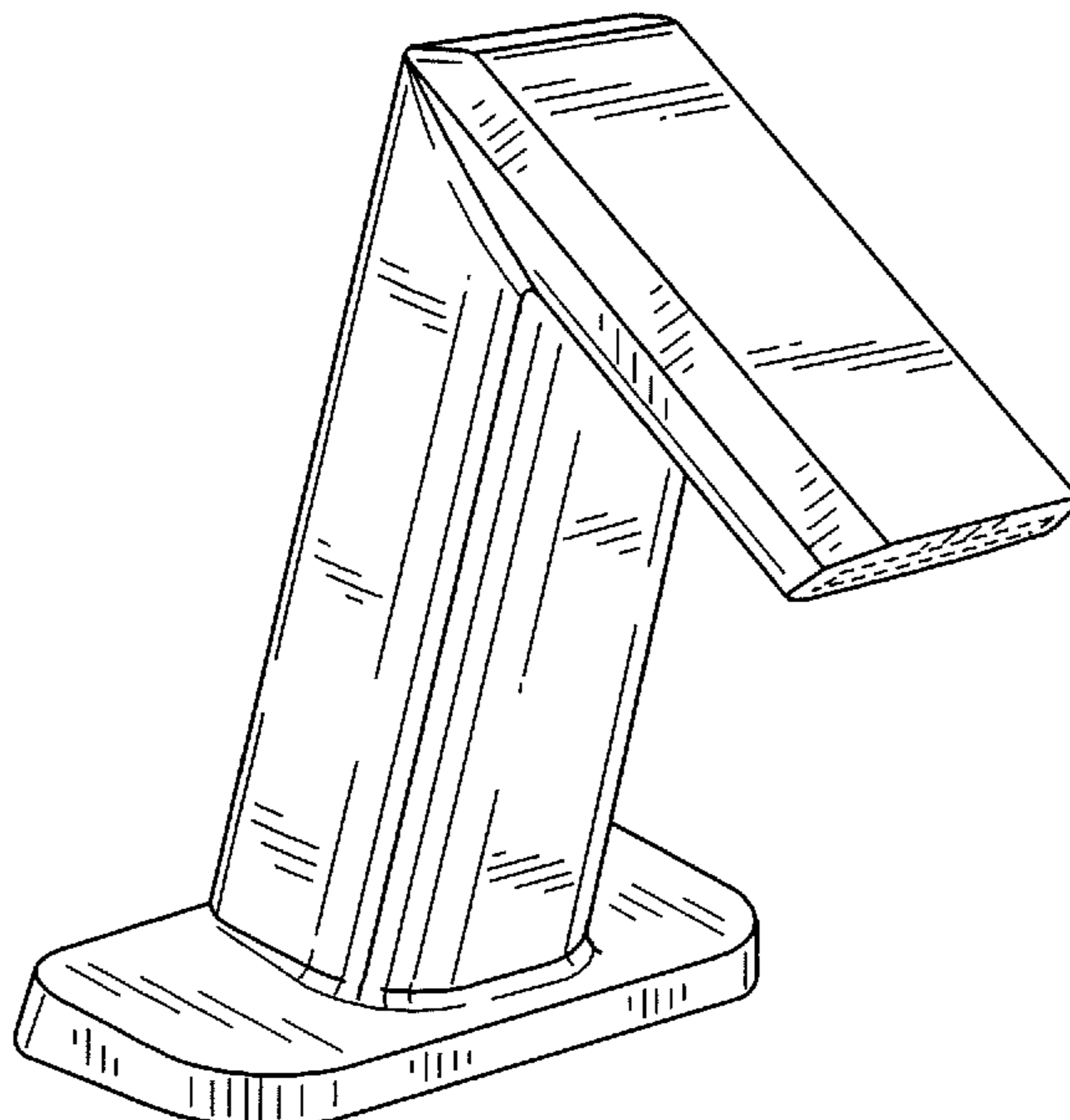
FIG. 5 is rear view thereof;

FIG. 6 is a top view thereof; and,

FIG. 7 is a bottom view thereof.

The broken lines shown are for illustrative purposes only and form no part of the claimed design.

**1 Claim, 4 Drawing Sheets**



# US D644,719 S

Page 2

---

## OTHER PUBLICATIONS

“Stealth—G-2200,” [http://www.graff-faucets.com/vera/pictures/Stealth-G-2200\\_A\\_scaled.jpg](http://www.graff-faucets.com/vera/pictures/Stealth-G-2200_A_scaled.jpg), Graff, Milwaukee, Wisconsin, 1 page, Sep. 17, 2009.

“Supernova,” Dornbracht Americas inc., brochure, 37 pages, no date available. “[Royal Toto] Toto Royal Exclusive Automatic Faucets sinks/RLE700A/RLE710A/self-development faucet/automatic fau-

cet/ eco-friendly products,” Royal Toto, Co. Ltd, Korea, [http://translate.googleusercontent.com/translate\\_c?hl=en&sl=ko&u=http://english.gmarket.....](http://translate.googleusercontent.com/translate_c?hl=en&sl=ko&u=http://english.gmarket.....), 8 pages, Jun. 16, 2010.

“Royal Toto,” [www.royaltoto.co.kr](http://www.royaltoto.co.kr), brochure, 10 pages, no date available.

\* cited by examiner

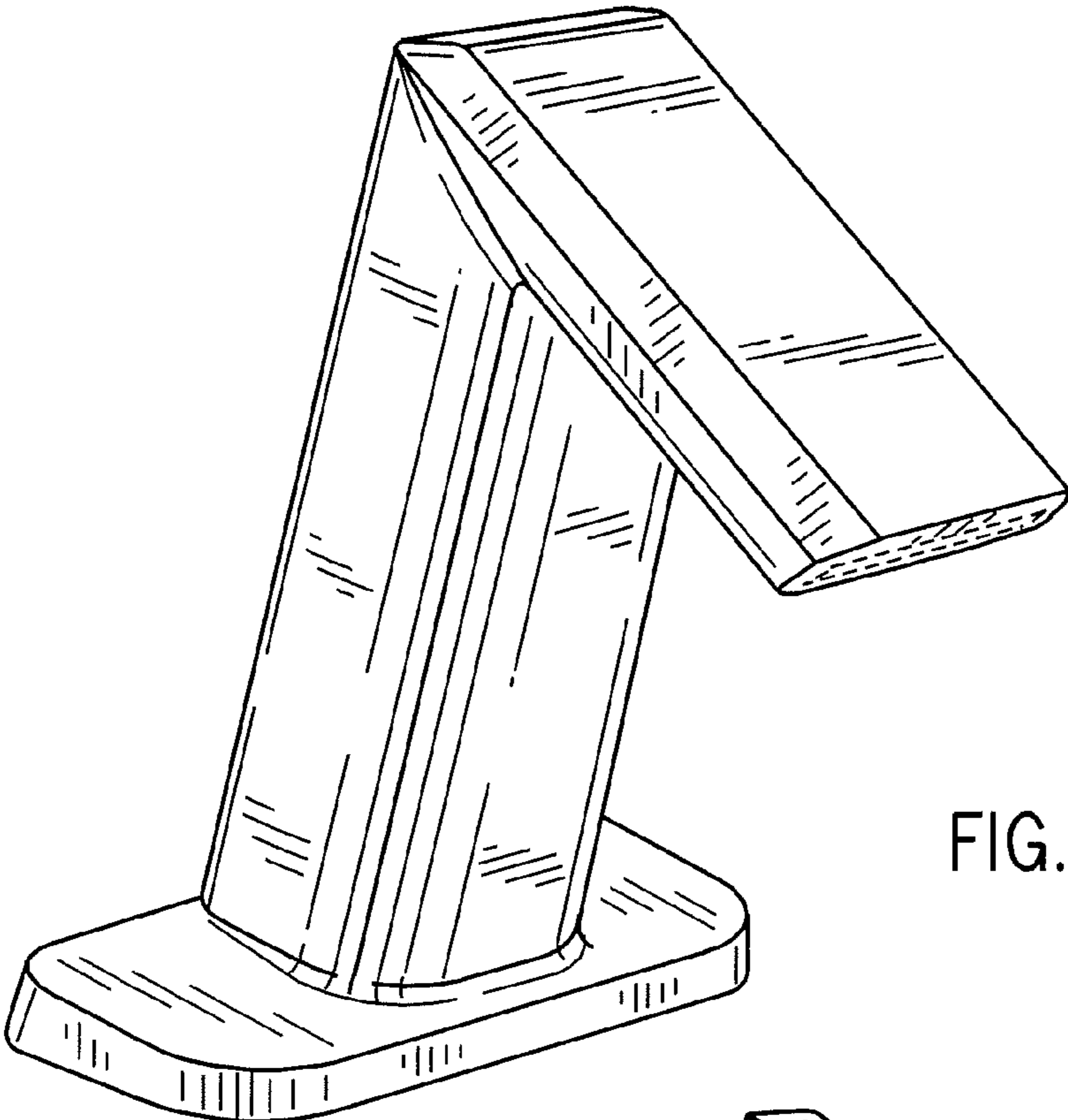


FIG. 1

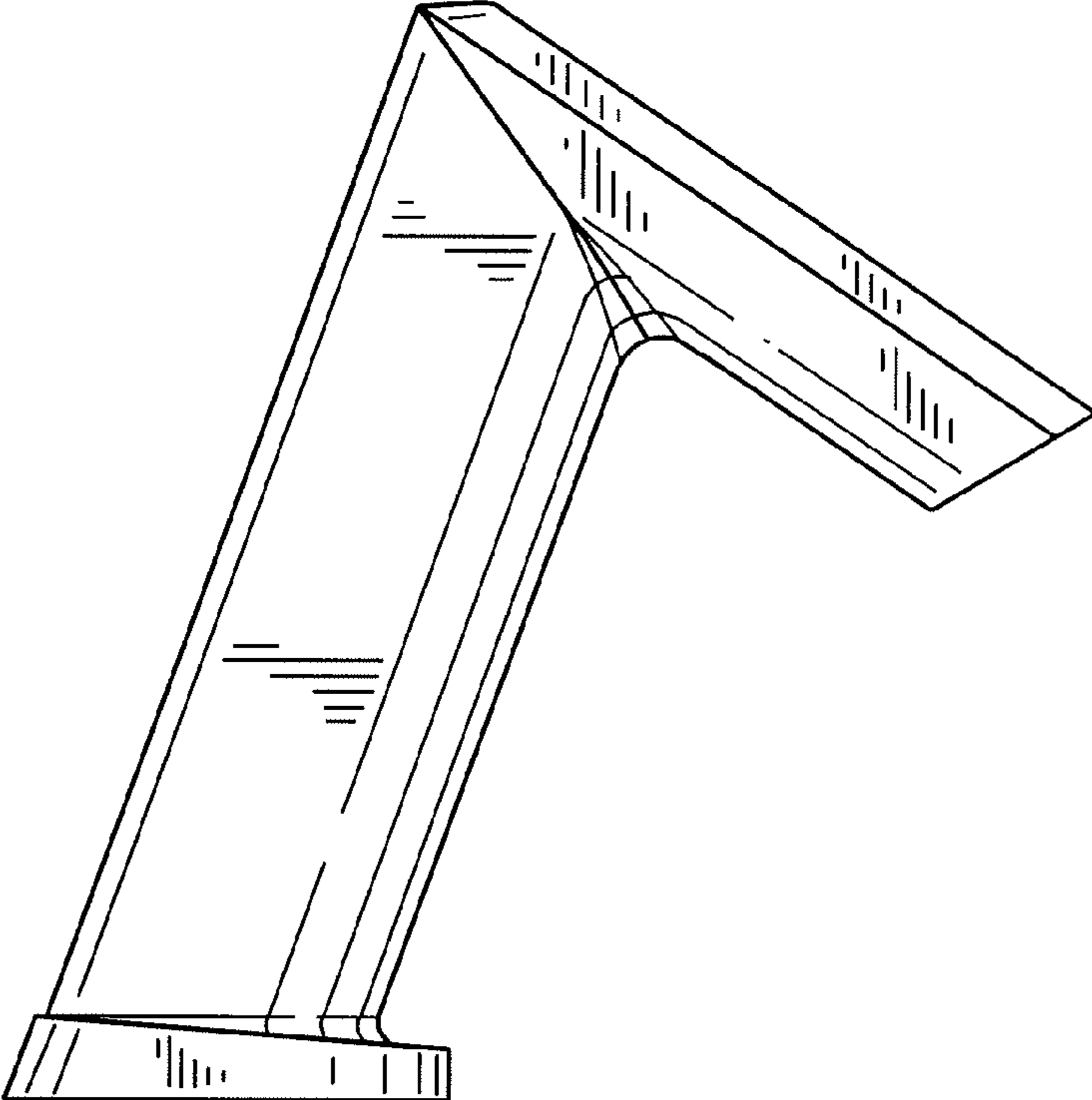


FIG. 2

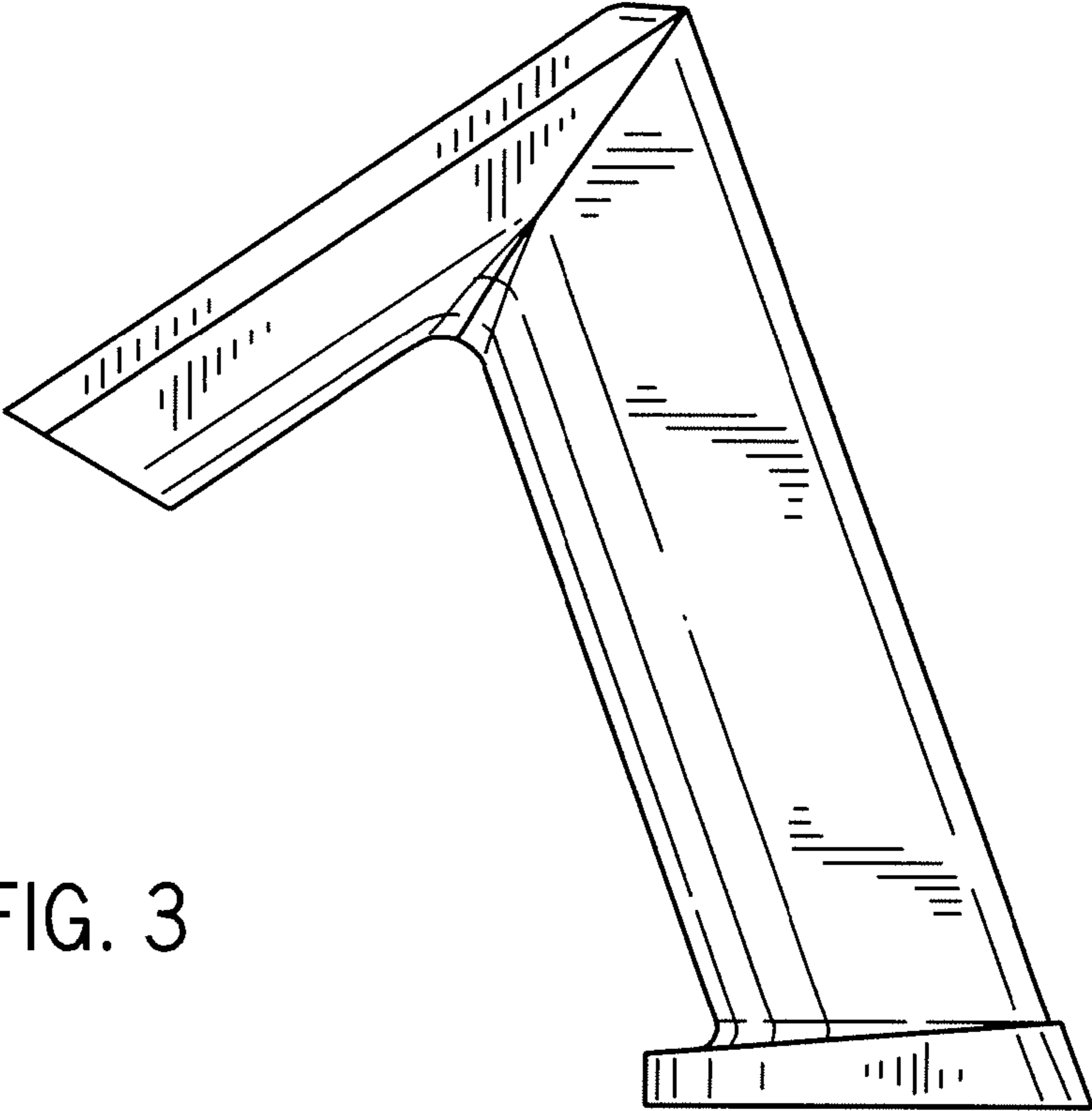


FIG. 3

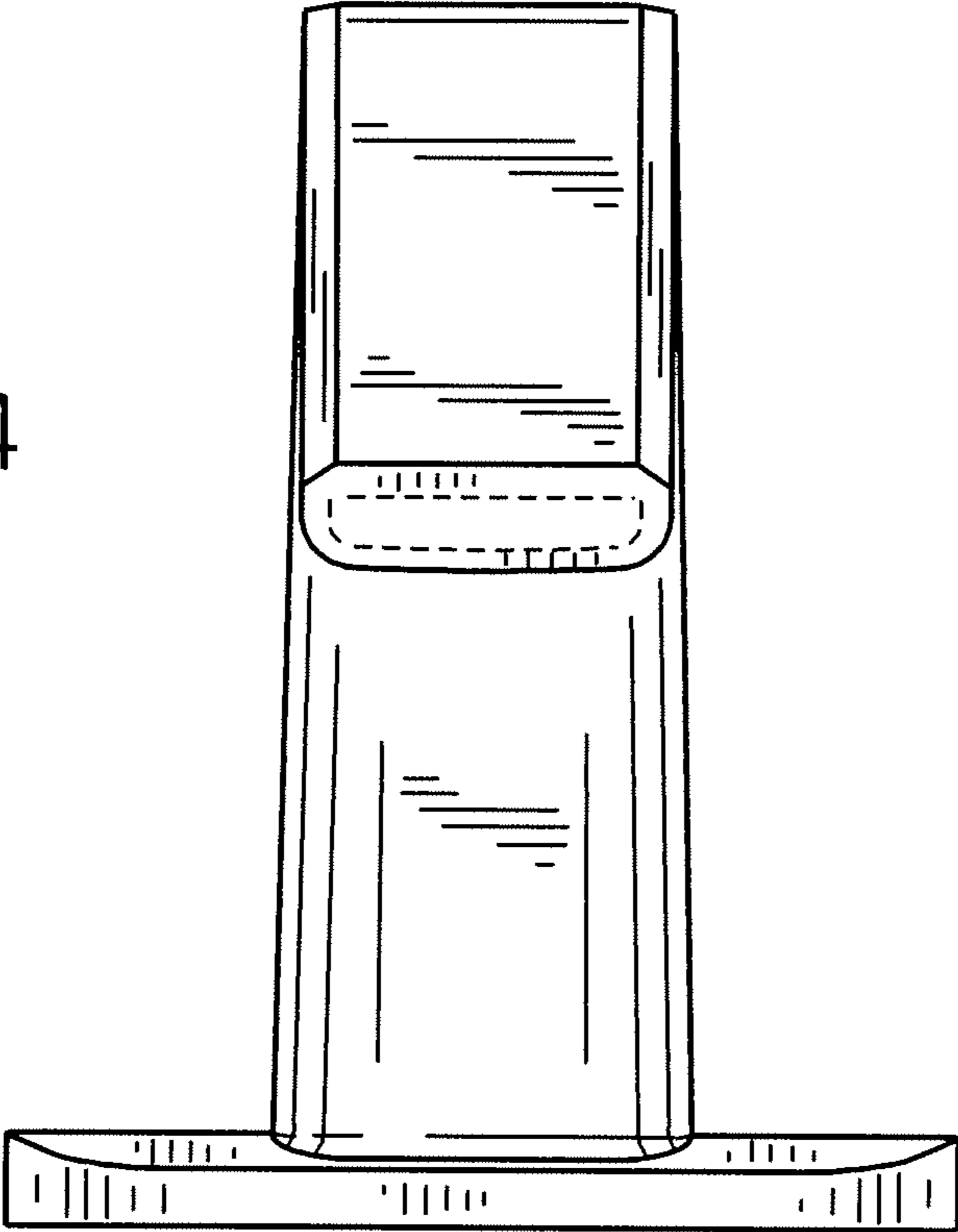


FIG. 4

FIG. 5

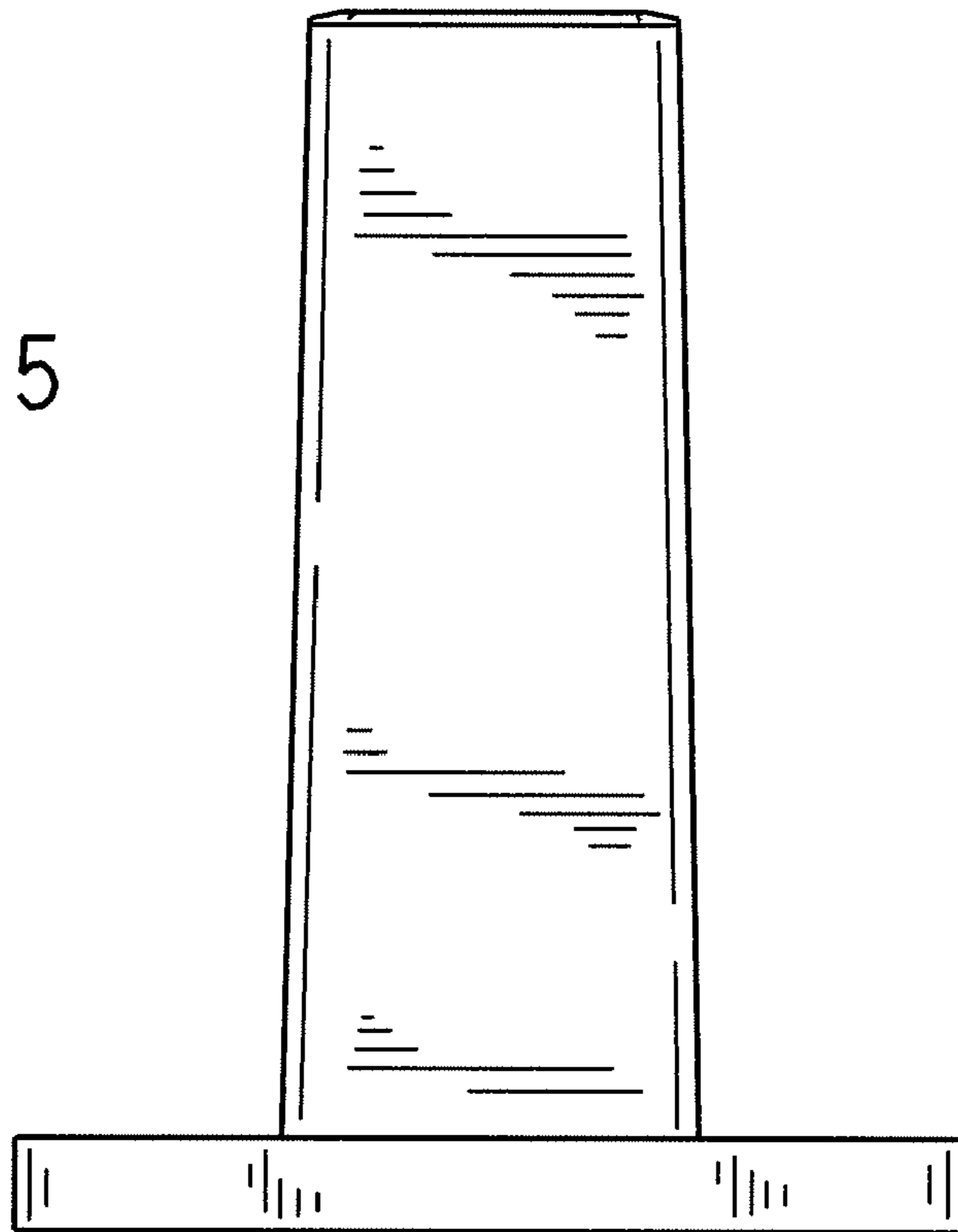
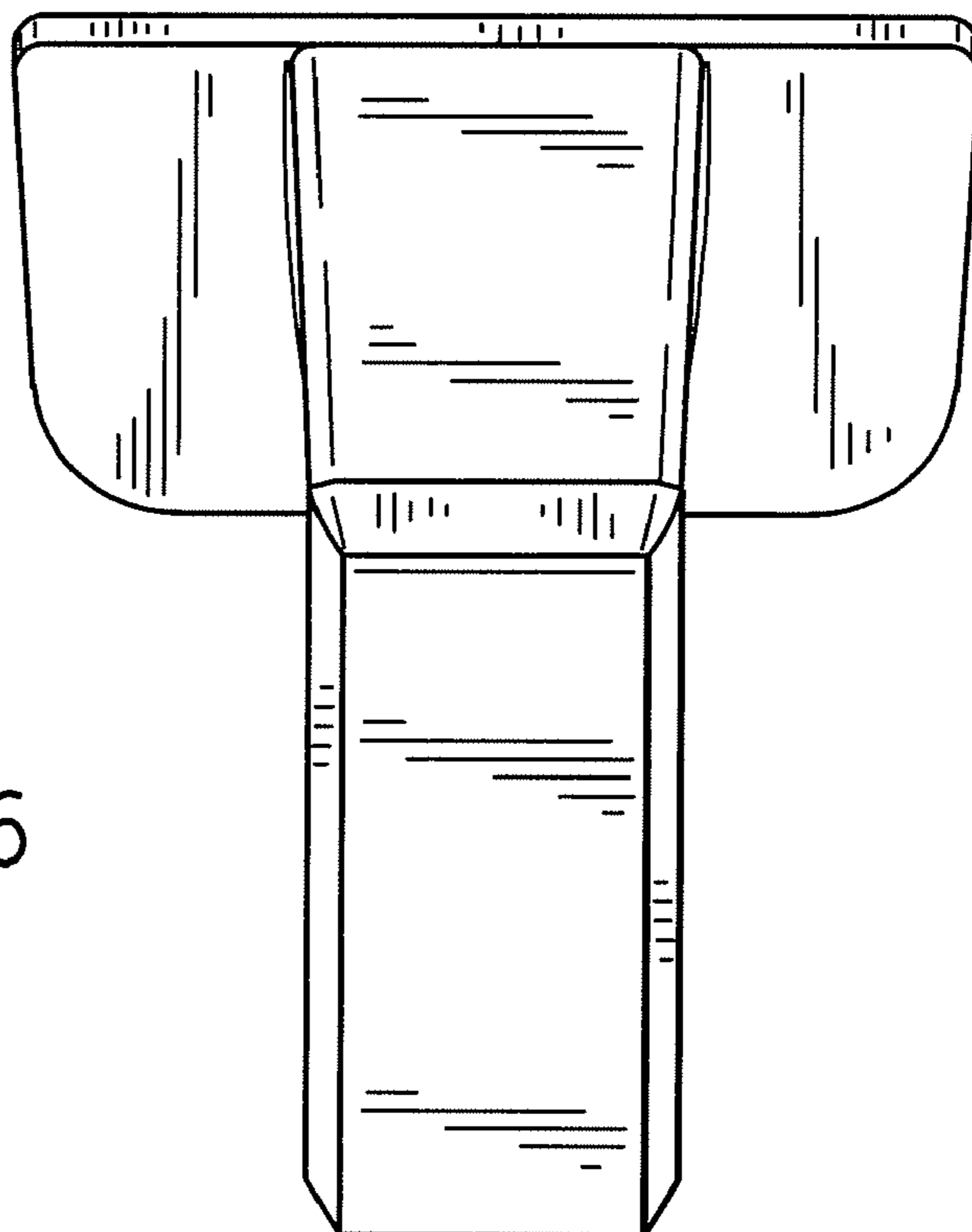


FIG. 6



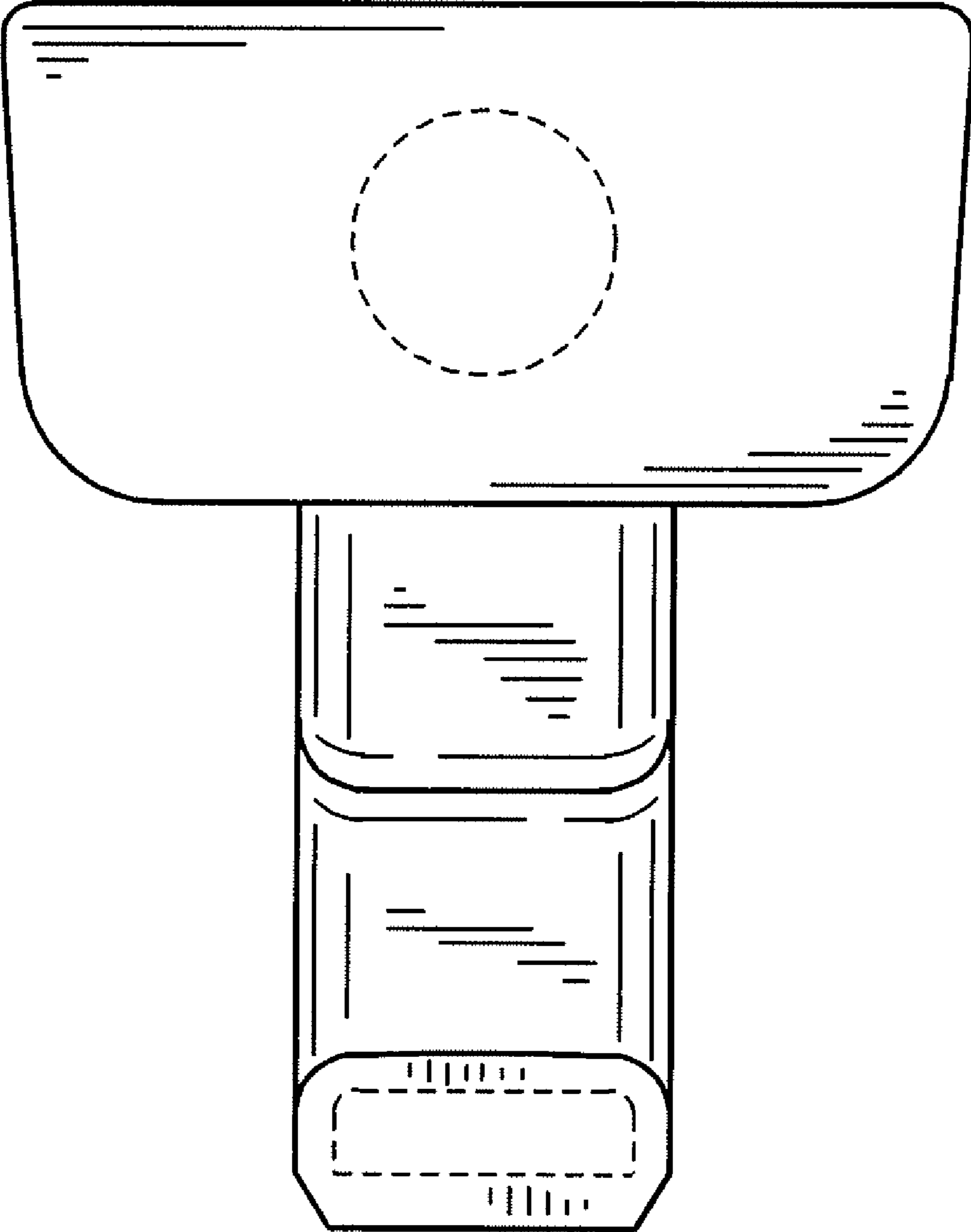


FIG. 7