



US00D644717S

(12) **United States Design Patent**  
**Larkin et al.**

(10) **Patent No.:** **US D644,717 S**

(45) **Date of Patent:** **\*\* Sep. 6, 2011**

(54) **PLUMBING FITTING**

(75) Inventors: **Anthony William Larkin**, Bankstown (AU); **Ronnie Shoushani**, Bankstown (AU)

(73) Assignee: **Larkin & Shoushani Solutions, Pty.**, Bankstown, NSW (AU)

(\*\*) Term: **14 Years**

(21) Appl. No.: **29/344,578**

(22) Filed: **Sep. 30, 2009**

(30) **Foreign Application Priority Data**

Apr. 1, 2009 (AU) ..... D200911104

(51) **LOC (9) Cl.** ..... **23-01**

(52) **U.S. Cl.** ..... **D23/237**

(58) **Field of Classification Search** ..... D23/233, D23/244, 249, 237, 257, 260, 268; 137/843-846  
See application file for complete search history.

(56) **References Cited**

U.S. PATENT DOCUMENTS

194,329	A *	8/1877	Buhrer	137/846
803,979	A *	11/1905	Bonnell	210/116
2,352,642	A *	7/1944	Langdon	137/849
3,118,468	A *	1/1964	Bochan	137/846
3,463,159	A *	8/1969	Heimlich	604/247
3,707,986	A *	1/1973	Breen	137/849
4,084,606	A *	4/1978	Mittleman	137/102
4,227,533	A *	10/1980	Godfrey	604/247
D279,922	S *	7/1985	Bova	D23/249
4,870,992	A *	10/1989	Irwin et al.	137/846
5,398,853	A *	3/1995	Latham	222/491
5,881,772	A *	3/1999	Bennett	137/846
6,136,253	A *	10/2000	Bennett	264/328.1
6,305,420	B1 *	10/2001	Atkinson et al.	137/846
6,481,464	B1 *	11/2002	Katayama et al.	137/843

6,795,987	B2 *	9/2004	Cornwall	4/679
7,243,681	B2 *	7/2007	Dahm	137/846
7,422,034	B2 *	9/2008	Dahm	137/846
7,530,369	B2 *	5/2009	Anderson	137/846
2005/0263195	A1 *	12/2005	Dahm	137/846

FOREIGN PATENT DOCUMENTS

AU	2005202307	A1	12/2006
CA	2450304	A1	12/2002
CA	2429950	A1	3/2004
EP	1174549	A2	1/2002
EP	1785077	A1	5/2007
FR	2896292	A1	7/2007
GB	2296309	A	6/1996
GB	23252497	A	1/2001
JP	11172736	A	6/1999
JP	2004124531	A	4/2004
JP	2004197452	A	7/2004
JP	2008013948	A	1/2008
WO	WO2004/059198	A1	7/2004
WO	WO2006005244	A1	1/2006
WO	WO2007/021049	A1	2/2007

\* cited by examiner

*Primary Examiner* — Celia Murphy

*Assistant Examiner* — John Windmuller

(74) *Attorney, Agent, or Firm* — Stetina Brunda Garred & Brucker; Lowell Anderson

(57) **CLAIM**

The ornamental design for a plumbing fitting, as shown and described.

**DESCRIPTION**

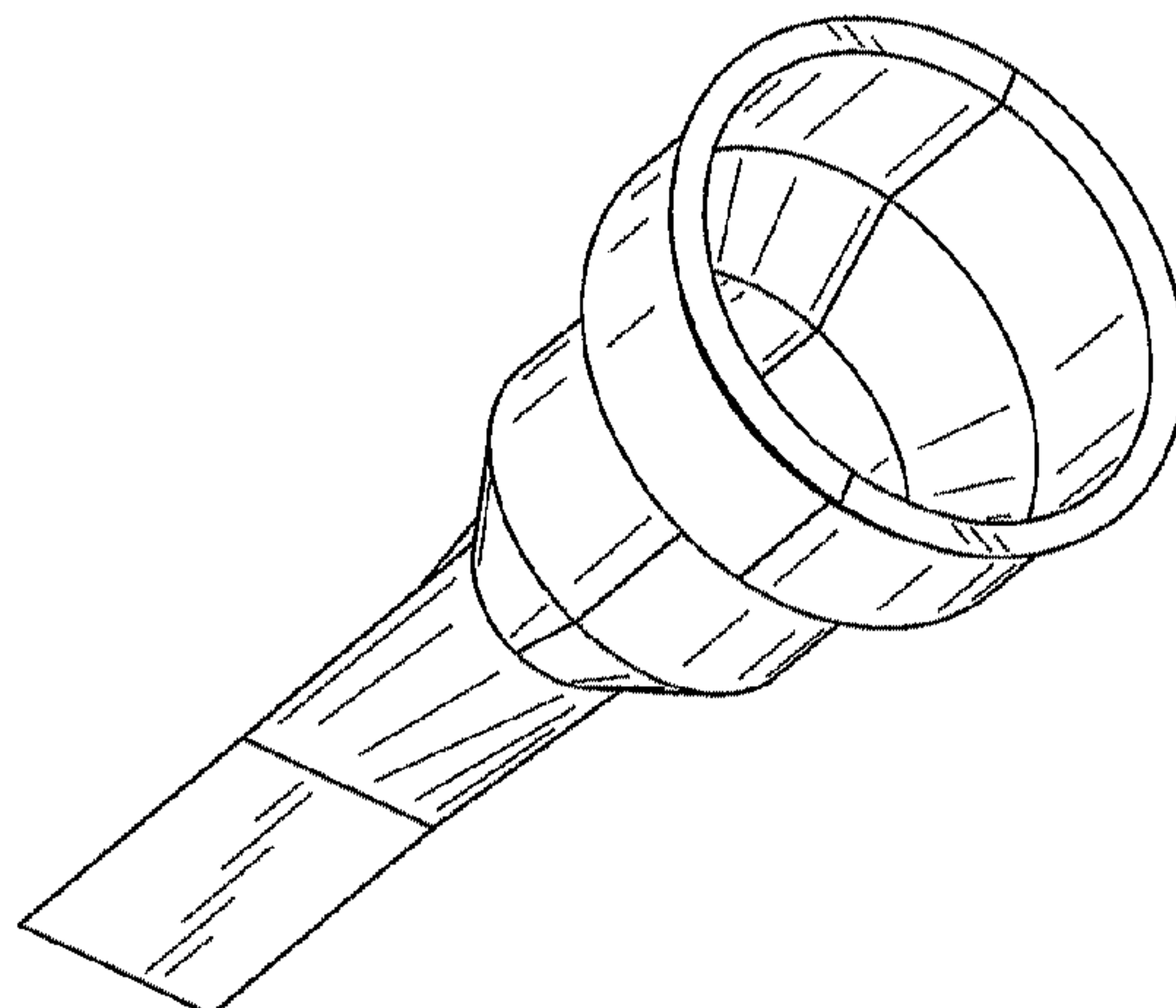
FIG. 1 is a perspective view showing the inside of the plumbing fitting of this invention;

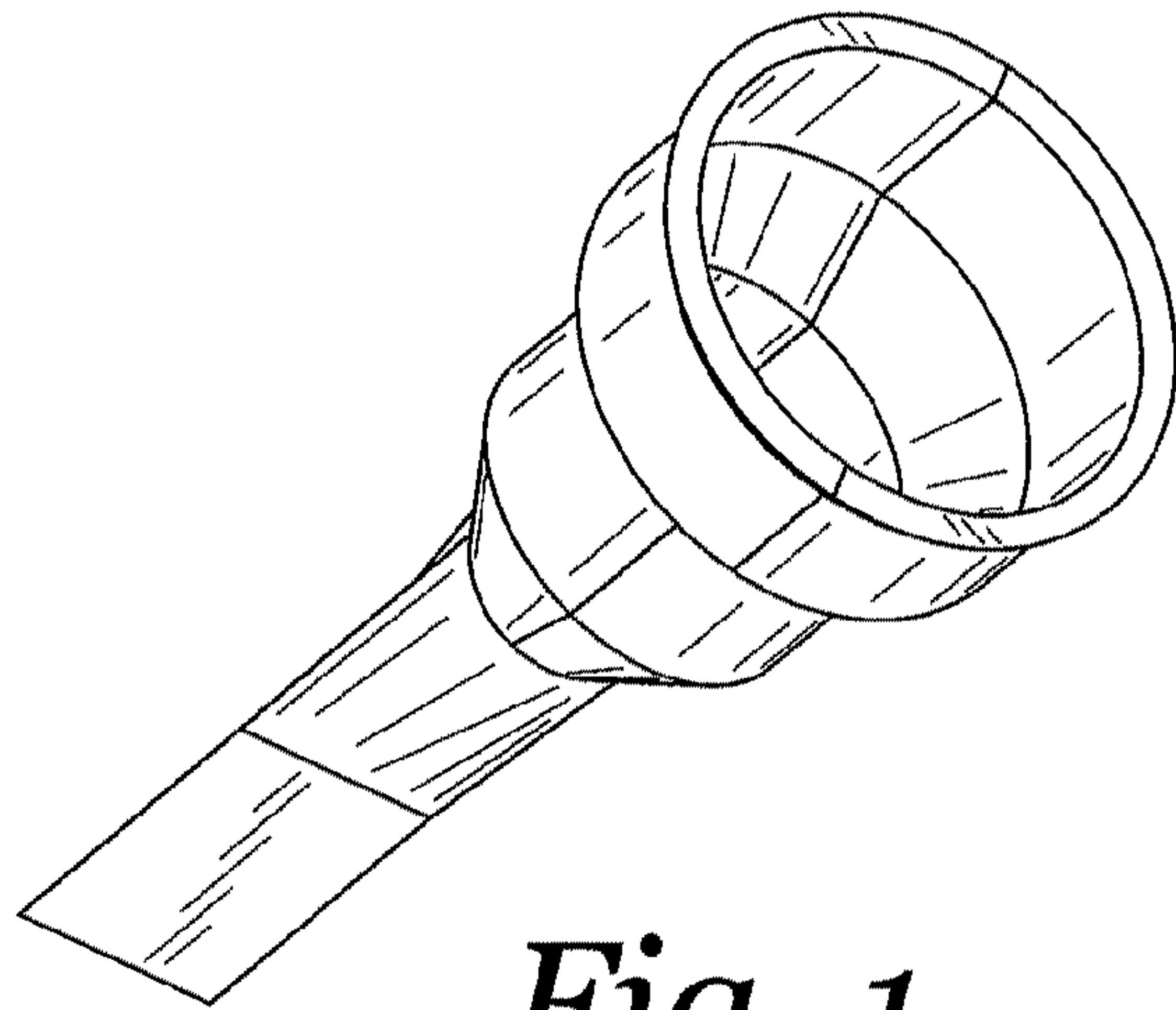
FIG. 2 front view of the plumbing fitting of FIG. 1;

FIG. 3 is a side view showing the plumbing fitting of FIG. 2, with the opposing side view being the mirror image thereof; and,

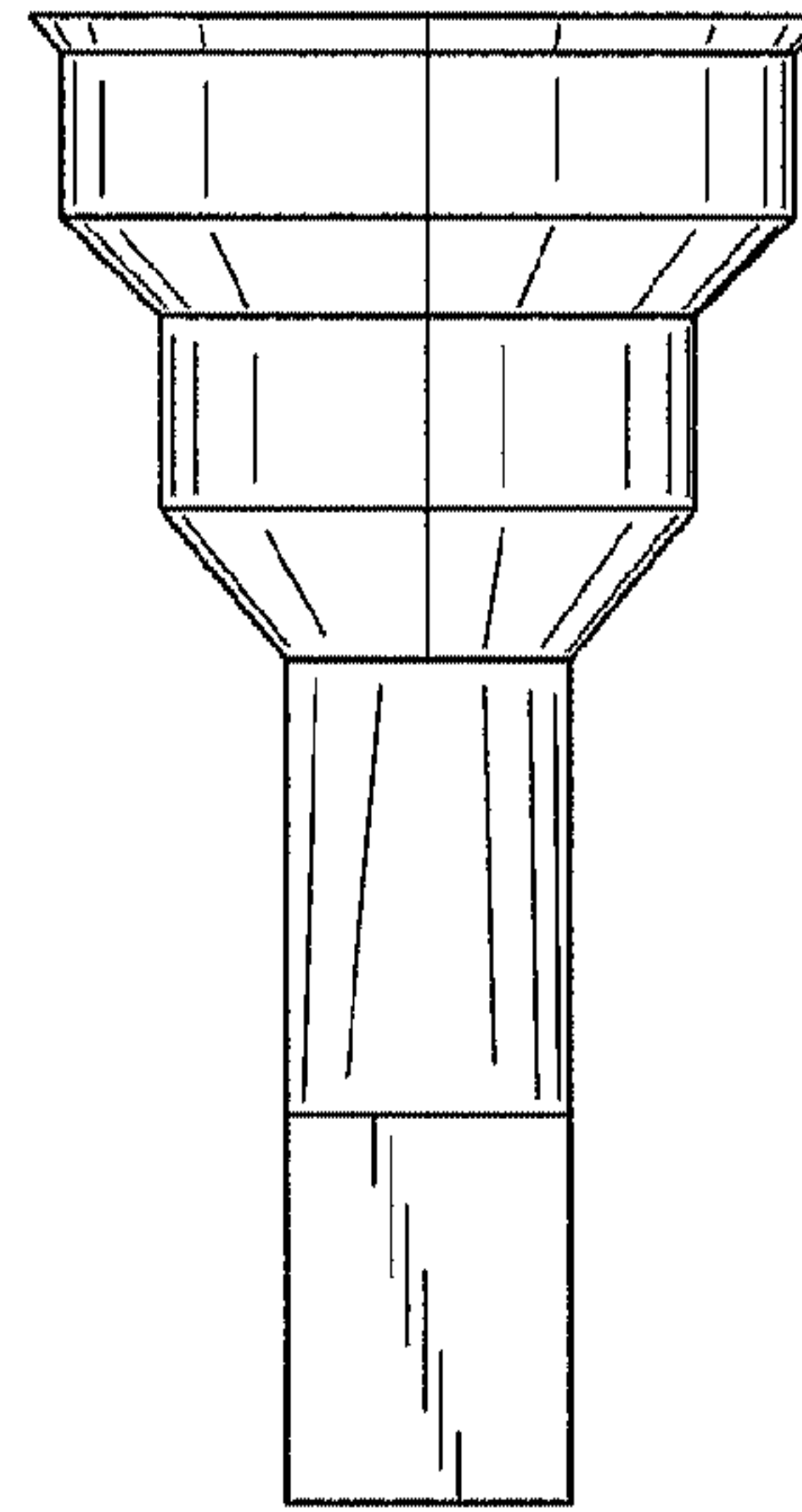
FIG. 4 is a top view of FIG. 3.

**1 Claim, 1 Drawing Sheet**

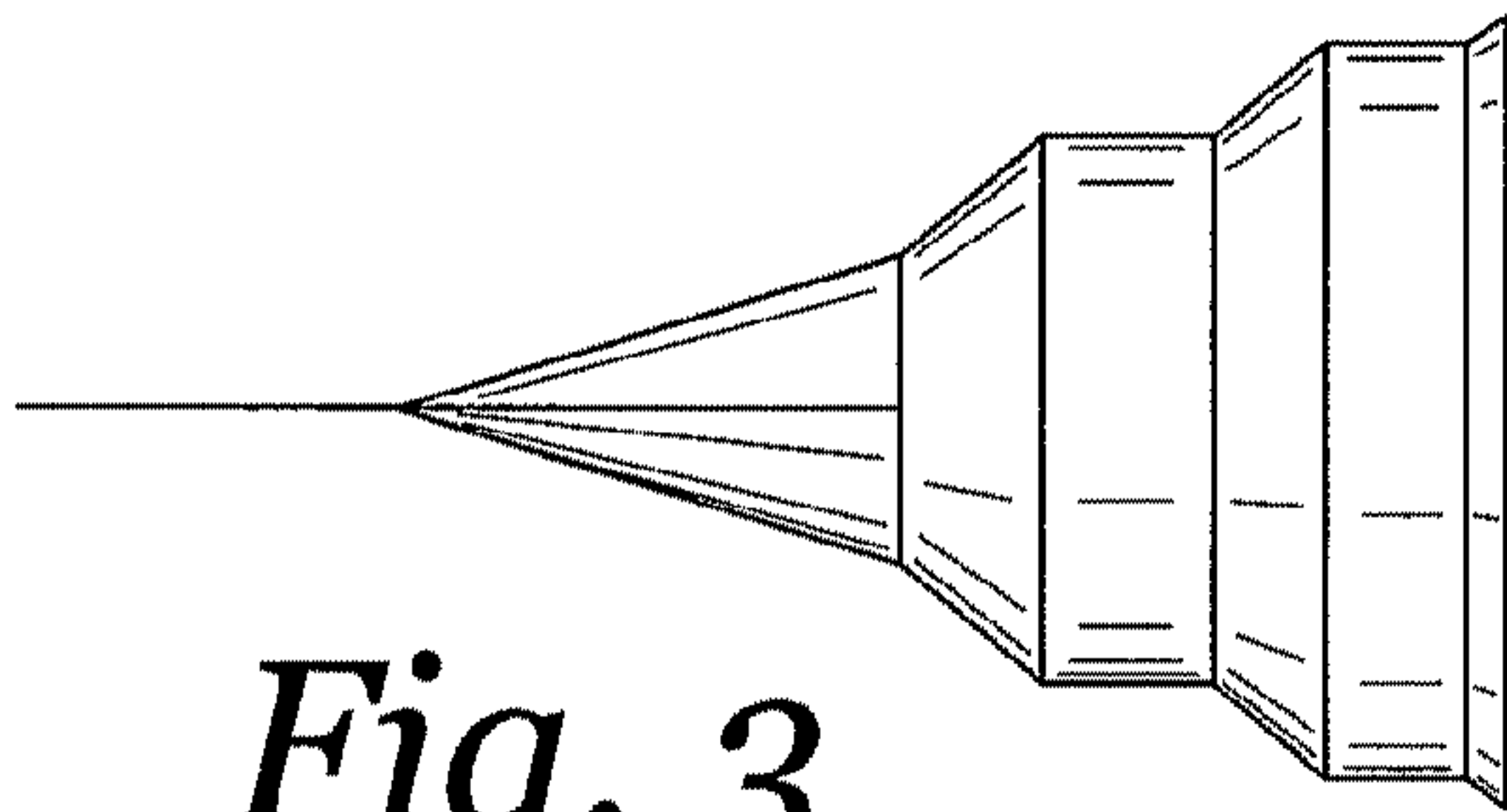




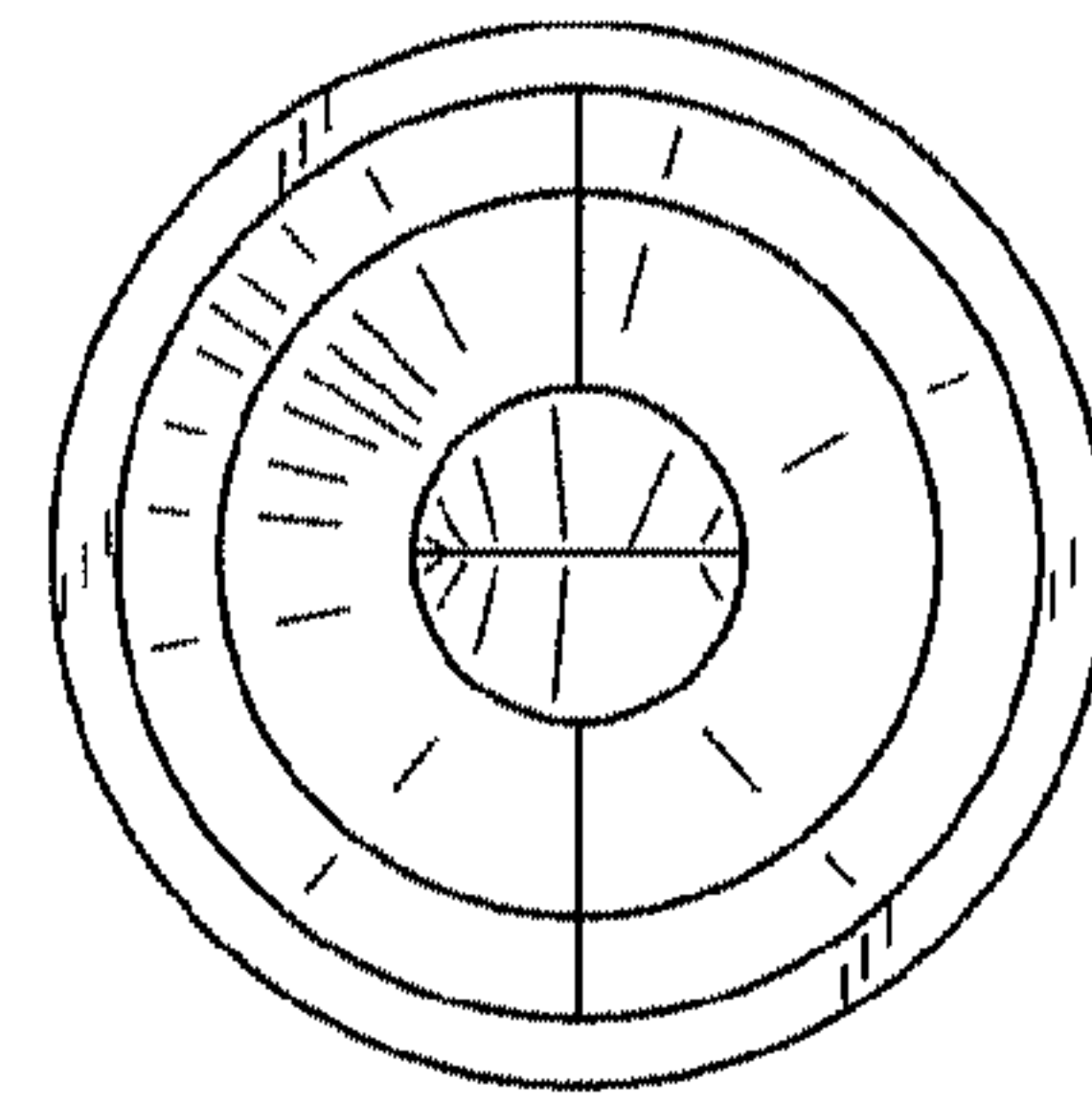
*Fig. 1*



*Fig. 2*



*Fig. 3*



*Fig. 4*