



US00D644716S

(12) **United States Design Patent**  
**Gehrung**

(10) **Patent No.:** **US D644,716 S**  
(45) **Date of Patent:** **\*\* Sep. 6, 2011**

(54) **PAINT SPRAY GUN**

(75) Inventor: **Ralf Gehrung**, Stuttgart (DE)

(73) Assignee: **SATA GmbH & Co. KG**, Komwestheim (DE)

(\*\*) Term: **14 Years**

(21) Appl. No.: **29/385,200**

(22) Filed: **Feb. 10, 2011**

(30) **Foreign Application Priority Data**

Aug. 12, 2010 (DE) ..... 40 2010 004 341

(51) **LOC (9) Cl.** ..... **23-01**

(52) **U.S. Cl.** ..... **D23/226**

(58) **Field of Classification Search** ..... D23/213,  
D23/223, 226; 239/525-526, 600, 690, 691  
See application file for complete search history.

(56) **References Cited**

**U.S. PATENT DOCUMENTS**

D314,421 S \* 2/1991 Tajima et al. .... D23/226  
(Continued)

*Primary Examiner* — Robin V Webster

(74) *Attorney, Agent, or Firm* — Martin Fleit; Paul D. Bianco; Fleit Gibbons Gutman Bongini & Bianco PL

(57) **CLAIM**

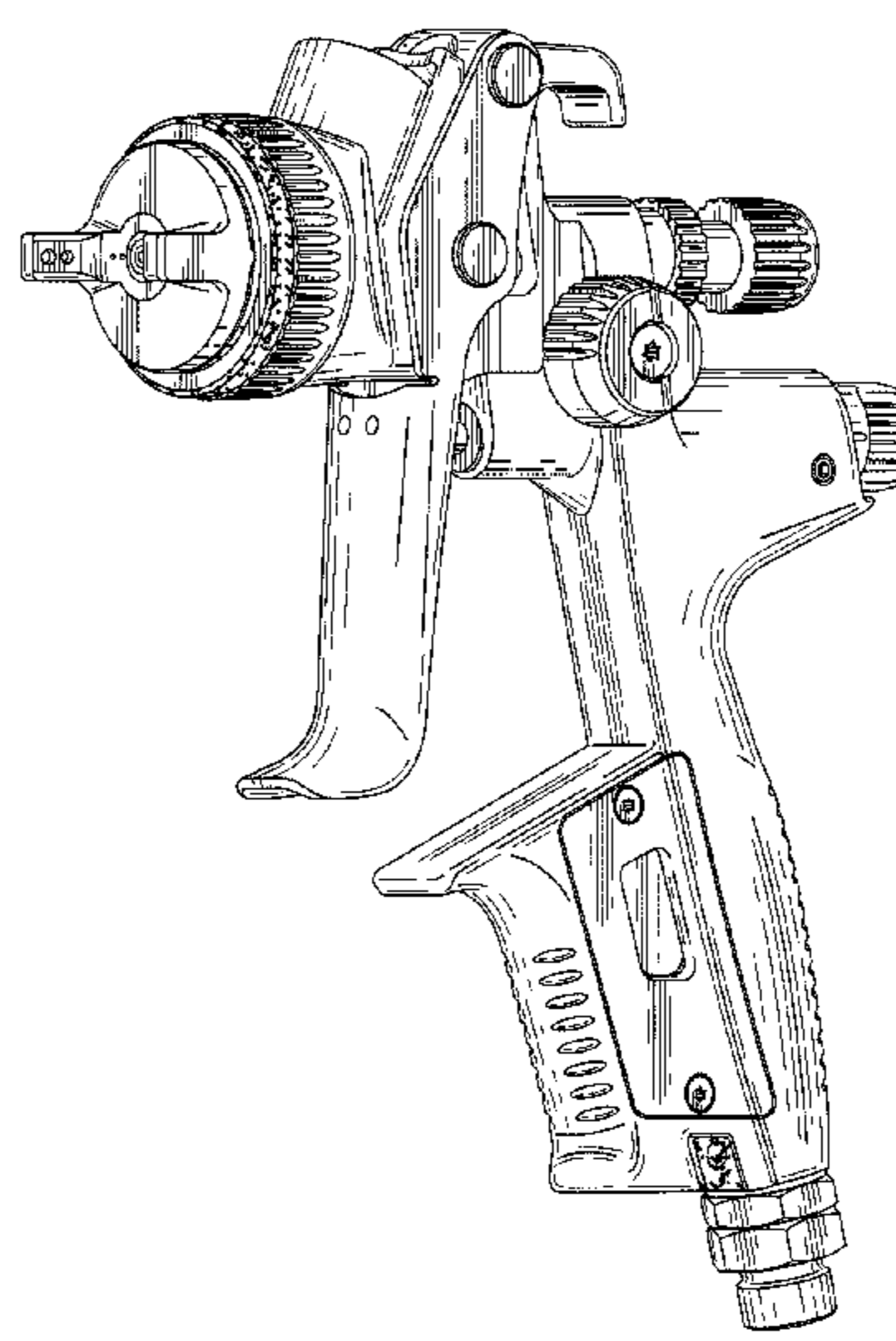
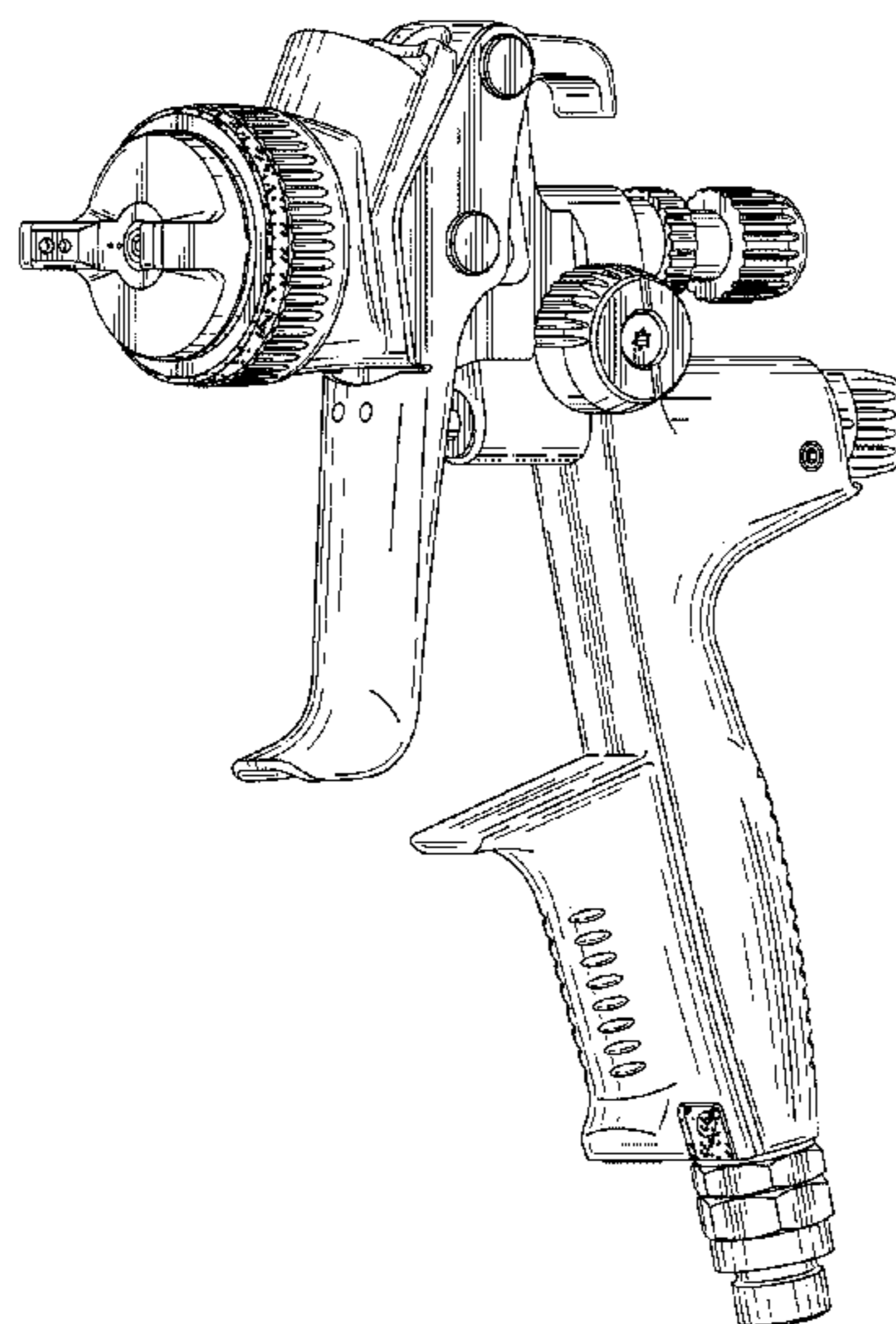
The ornamental design for a paint spray gun, as shown and described.

**DESCRIPTION**

FIG. 1 is a front perspective view of a first embodiment of a paint spray gun according to the present invention.  
FIG. 2 is a rear perspective view of the paint spray gun of FIG. 1.

FIG. 3 is a front view of the paint spray gun of FIG. 1.  
FIG. 4 is a rear view of the paint spray gun of FIG. 1.  
FIG. 5 is a left side view of the paint spray gun of FIG. 1.  
FIG. 6 is a right side view of the paint spray gun of FIG. 1.  
FIG. 7 is a bottom view of the paint spray gun of FIG. 1.  
FIG. 8 is a top view of the paint spray gun of FIG. 1.  
FIG. 9 is a front perspective view of a second embodiment of a paint spray gun according to the present invention.  
FIG. 10 is a rear perspective view of the paint spray gun of FIG. 9.  
FIG. 11 is a front view of the paint spray gun of FIG. 9.  
FIG. 12 is a rear view of the paint spray gun of FIG. 9.  
FIG. 13 is a left side view of the paint spray gun of FIG. 9.  
FIG. 14 is a right side view of the paint spray gun of FIG. 9.  
FIG. 15 is a bottom view of the paint spray gun of FIG. 9.  
FIG. 16 is a top view of the paint spray gun of FIG. 9.  
FIG. 17 is a front perspective view of a third embodiment of a paint spray gun according to the present invention.  
FIG. 18 is a rear perspective view of the paint spray gun of FIG. 17.  
FIG. 19 is a front view of the paint spray gun of FIG. 17.  
FIG. 20 is a rear view of the paint spray gun of FIG. 17.  
FIG. 21 is a left side view of the paint spray gun of FIG. 17.  
FIG. 22 is a right side view of the paint spray gun of FIG. 17.  
FIG. 23 is a bottom view of the paint spray gun of FIG. 17.  
FIG. 24 is a top view of the paint spray gun of FIG. 17.  
FIG. 25 is a front perspective view of a fourth embodiment of a paint spray gun according to the present invention.  
FIG. 26 is a rear perspective view of the paint spray gun of FIG. 25.  
FIG. 27 is a front view of the paint spray gun of FIG. 25.  
FIG. 28 is a rear view of the paint spray gun of FIG. 25.  
FIG. 29 is a left side view of the paint spray gun of FIG. 25.  
FIG. 30 is a right side view of the paint spray gun of FIG. 25.  
FIG. 31 is a bottom view of the paint spray gun of FIG. 25; and,  
FIG. 32 is a top view of the paint spray gun of FIG. 25.  
The stippling used on the air cap ring and on the handle represents a surface having a color. In particular, where the stippling is the same, the color is the same and where the stippling is different, the color is different.

**1 Claim, 24 Drawing Sheets**



# US D644,716 S

Page 2

---

## U.S. PATENT DOCUMENTS

6,626,382	B1 *	9/2003	Liu .....	239/569	D552,715	S *	10/2007	Schmon et al. ....	D23/226
6,845,924	B2 *	1/2005	Schmon .....	239/526	D575,374	S *	8/2008	Huang .....	D23/226
7,017,838	B2 *	3/2006	Schmon .....	239/526	D583,013	S *	12/2008	Wang .....	D23/226
7,083,119	B2 *	8/2006	Bouic et al. ....	239/345	D604,394	S *	11/2009	Wang .....	D23/226
7,175,110	B2 *	2/2007	Vicentini .....	239/526	D607,086	S *	12/2009	Kosaka .....	D23/226
D538,886	S *	3/2007	Huang .....	D23/226	D614,731	S *	4/2010	Wang .....	D23/226
D552,213	S *	10/2007	Schmon et al. ....	D23/226	7,823,806	B2 *	11/2010	Schmon .....	239/600

\* cited by examiner

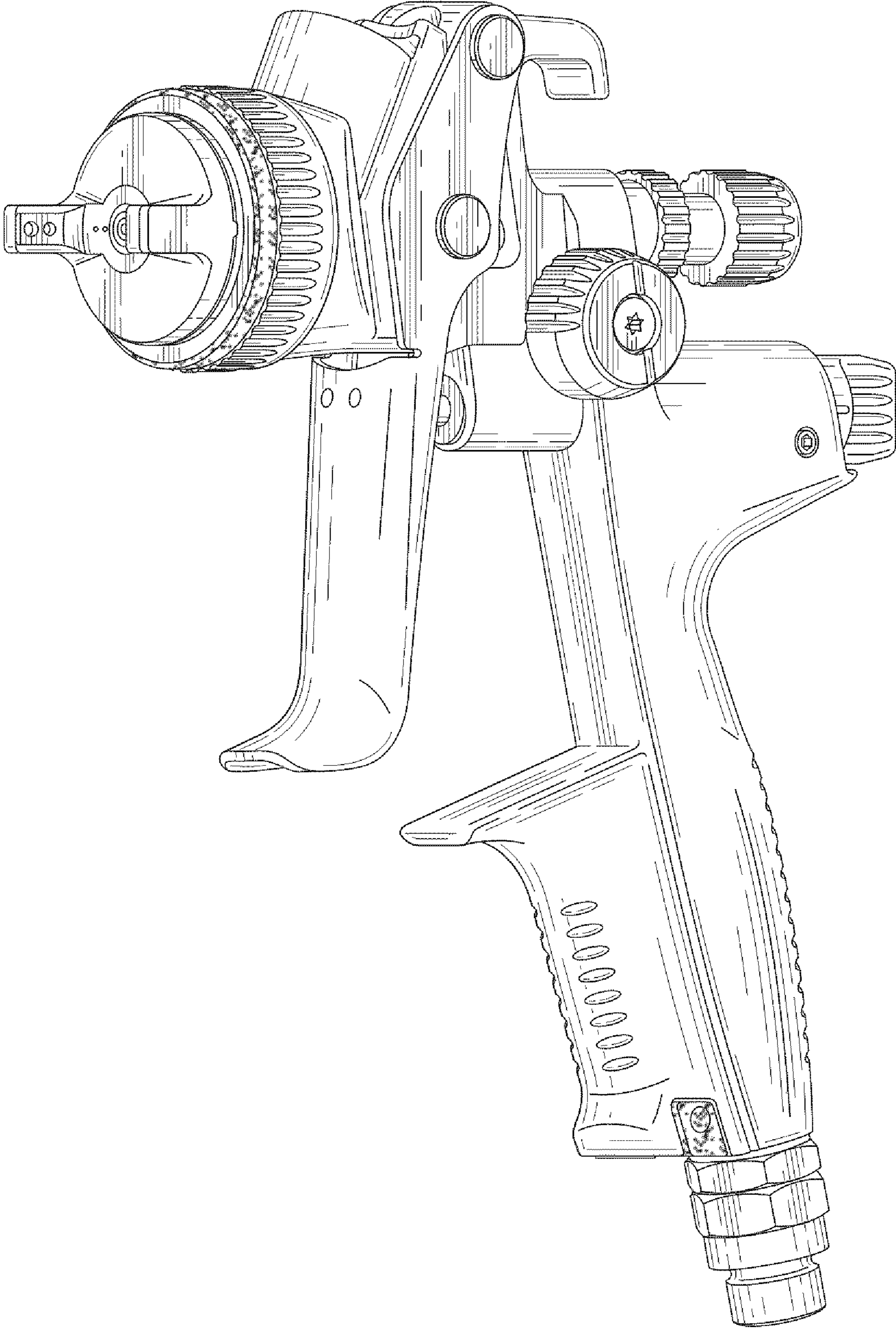


FIG. 1



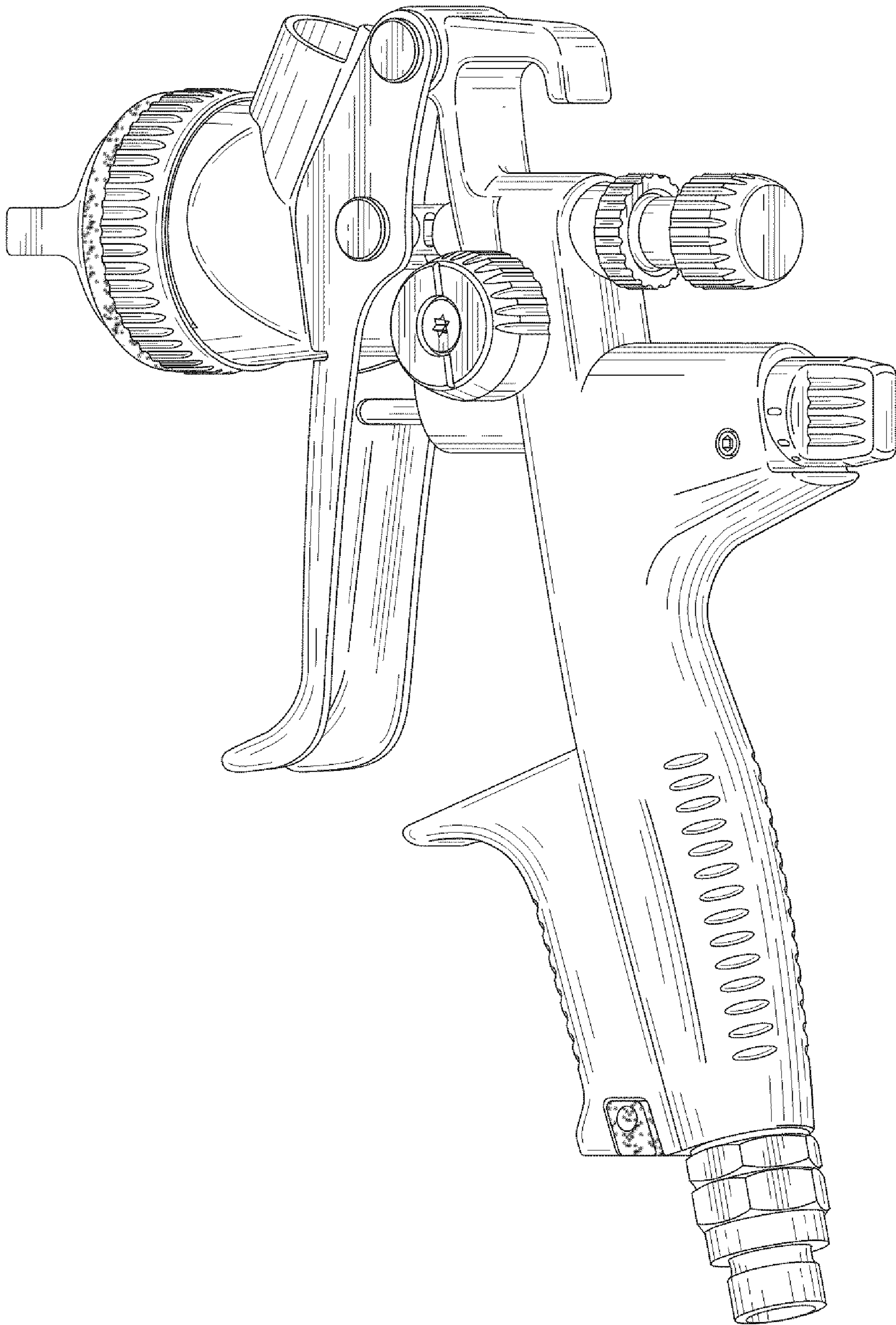


FIG. 2

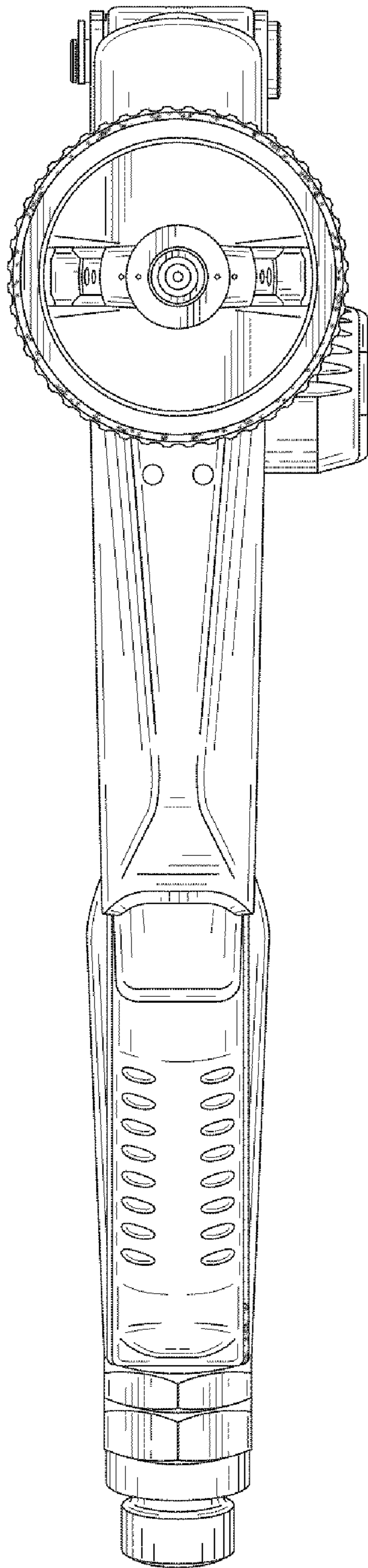


FIG. 3

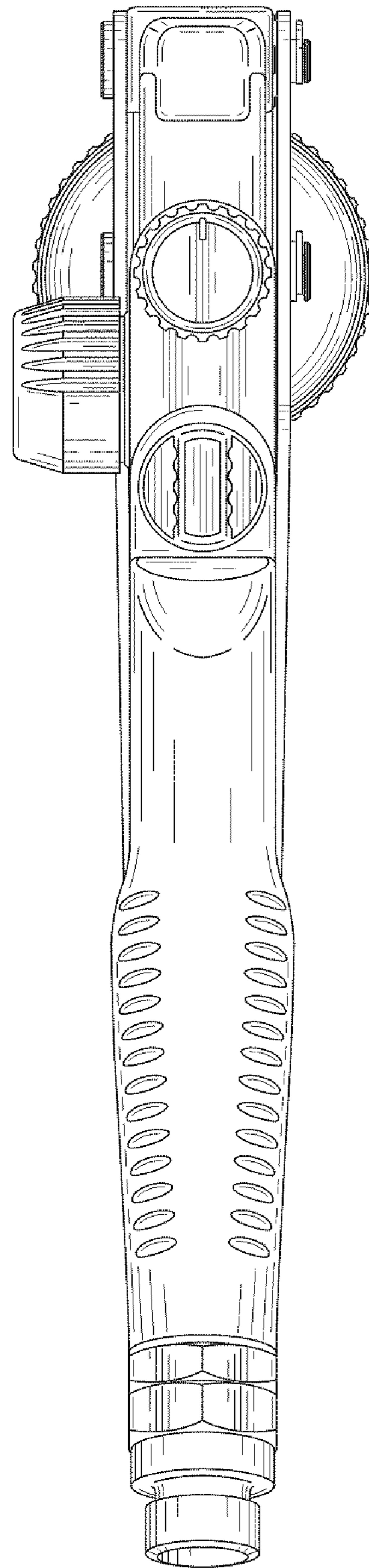


FIG. 4

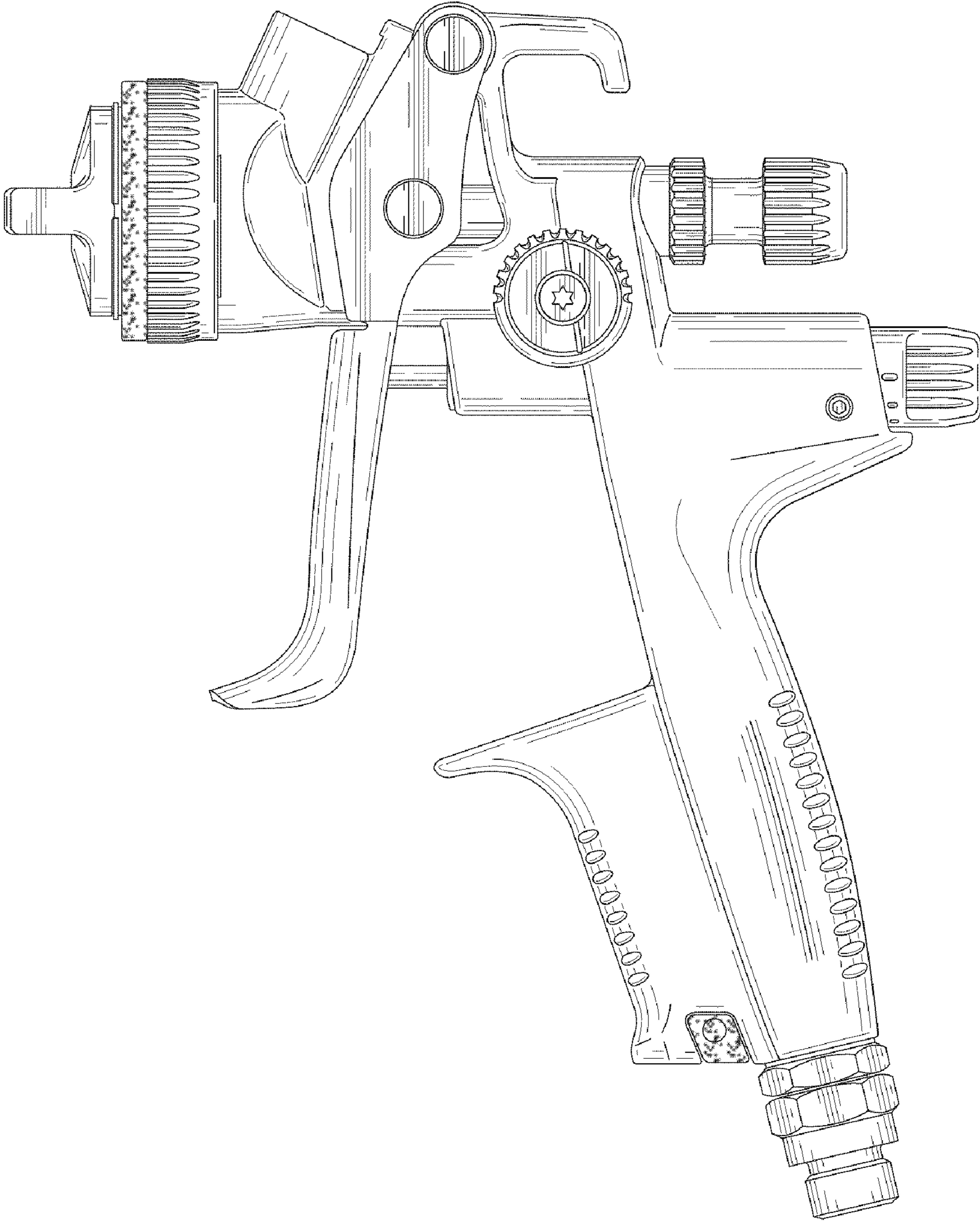


FIG. 5



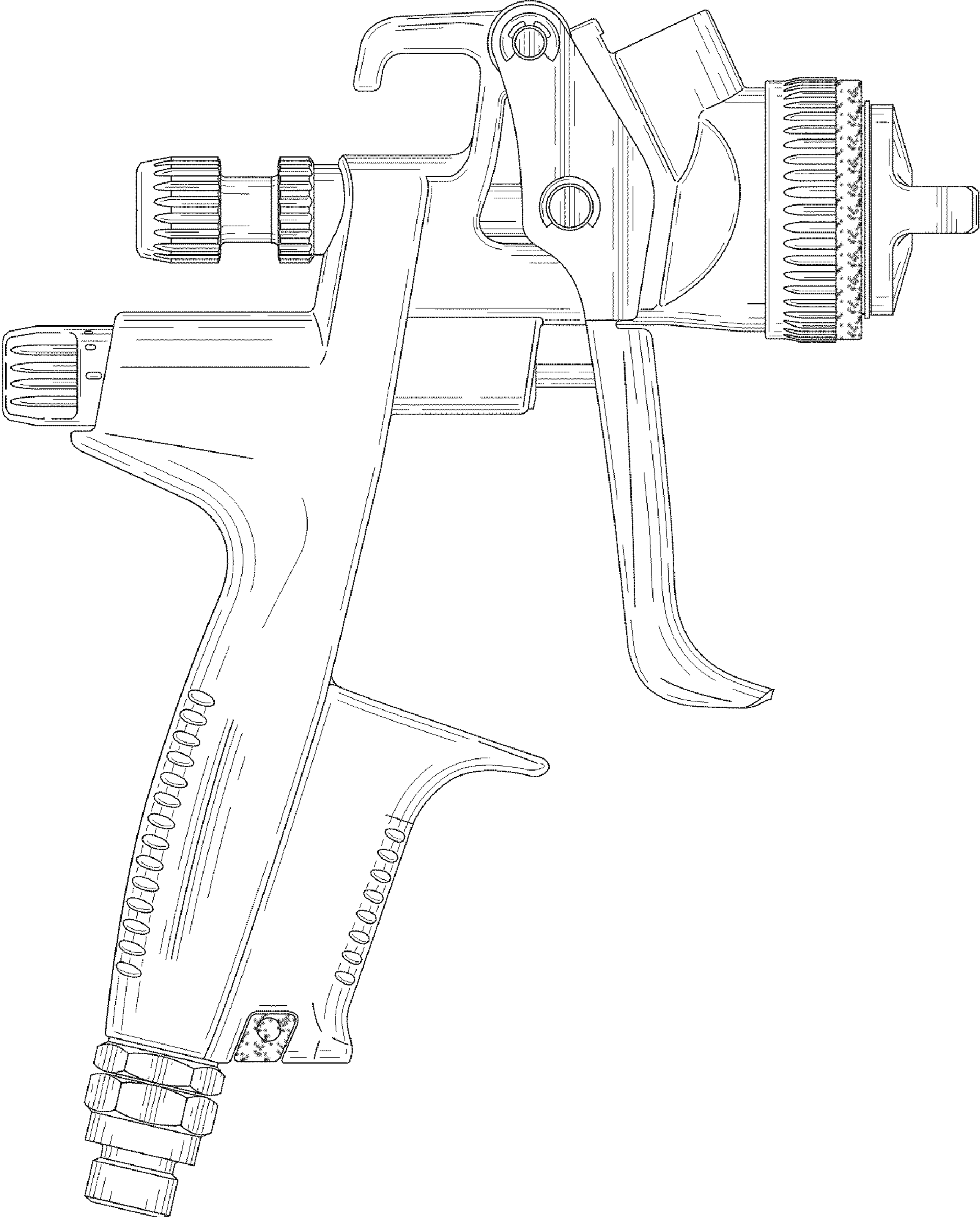


FIG. 6

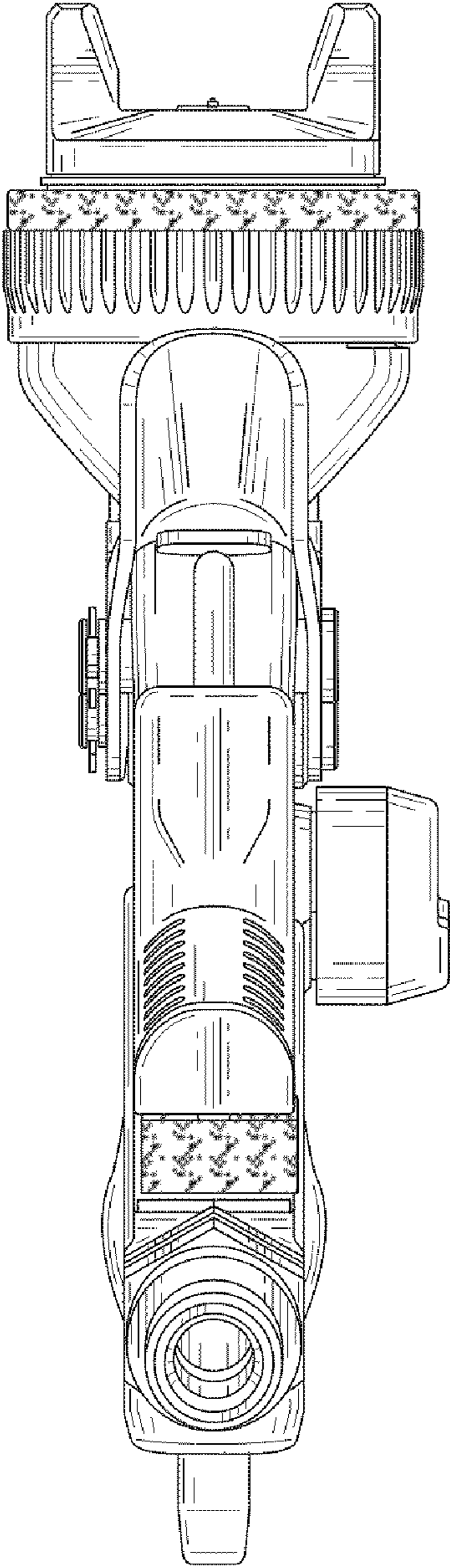


FIG. 7

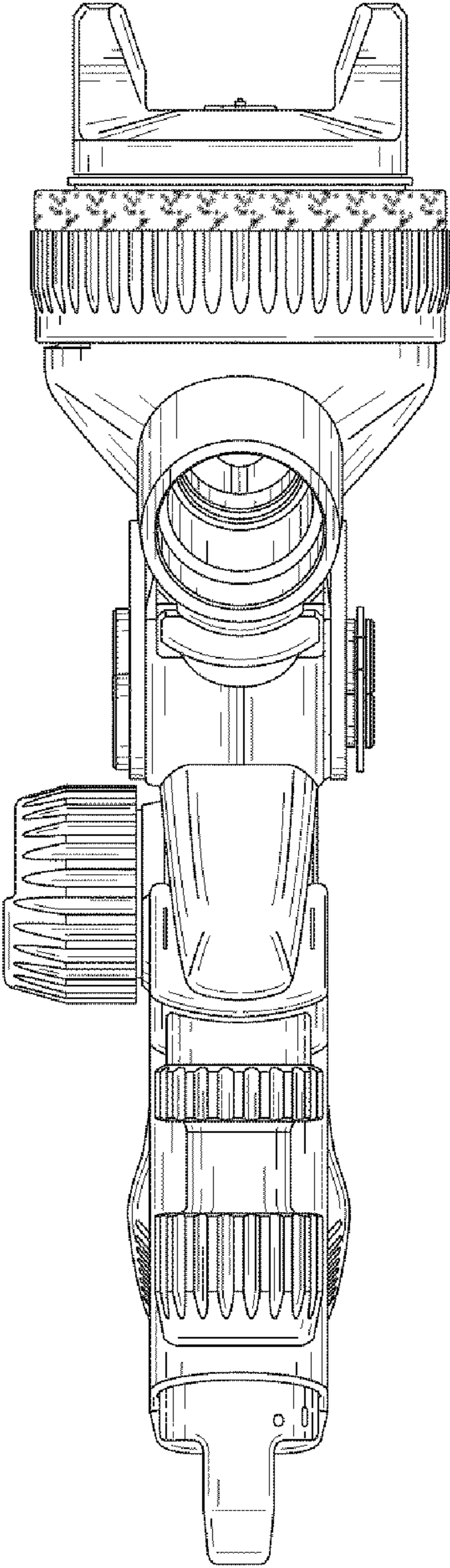


FIG. 8



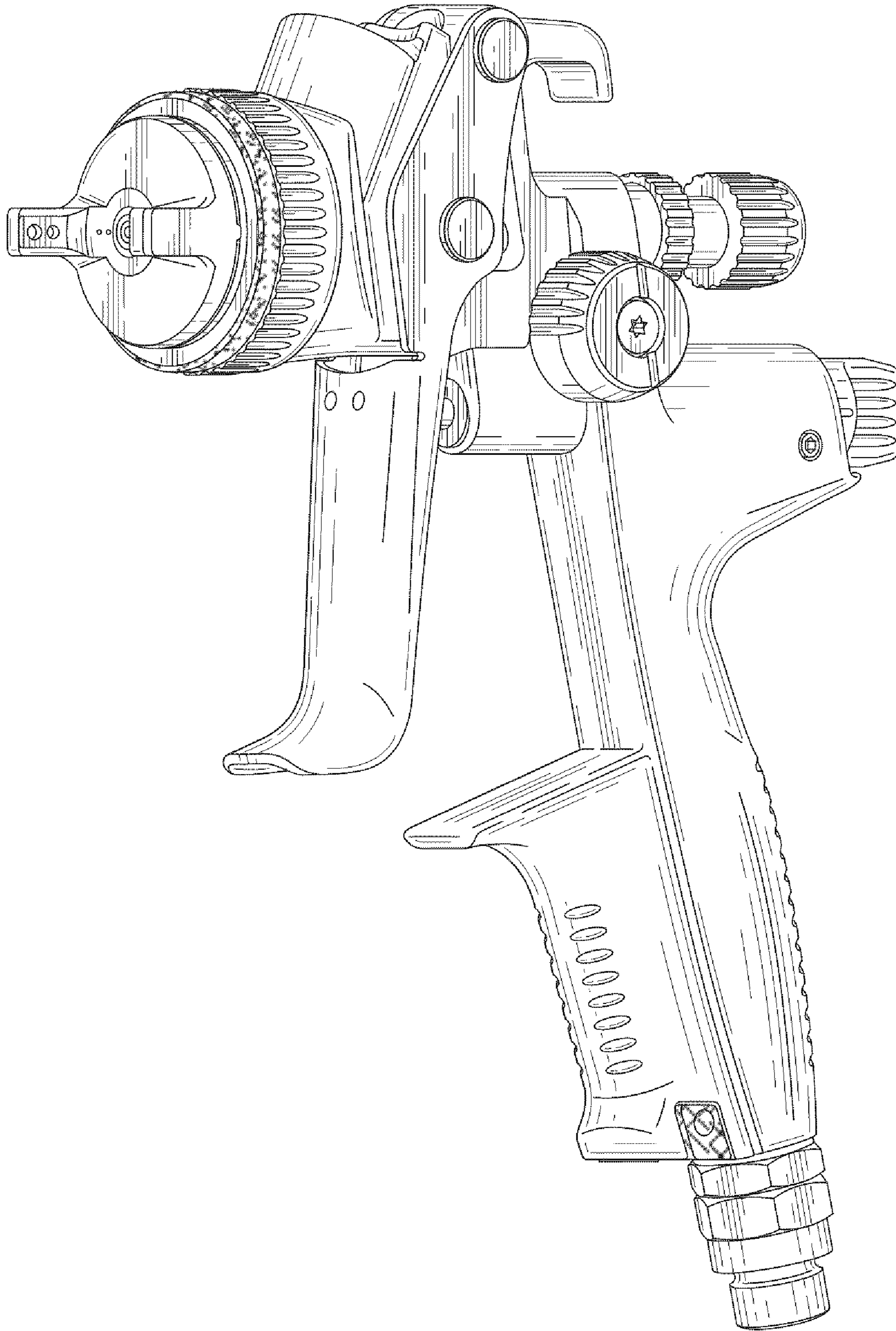


FIG. 9

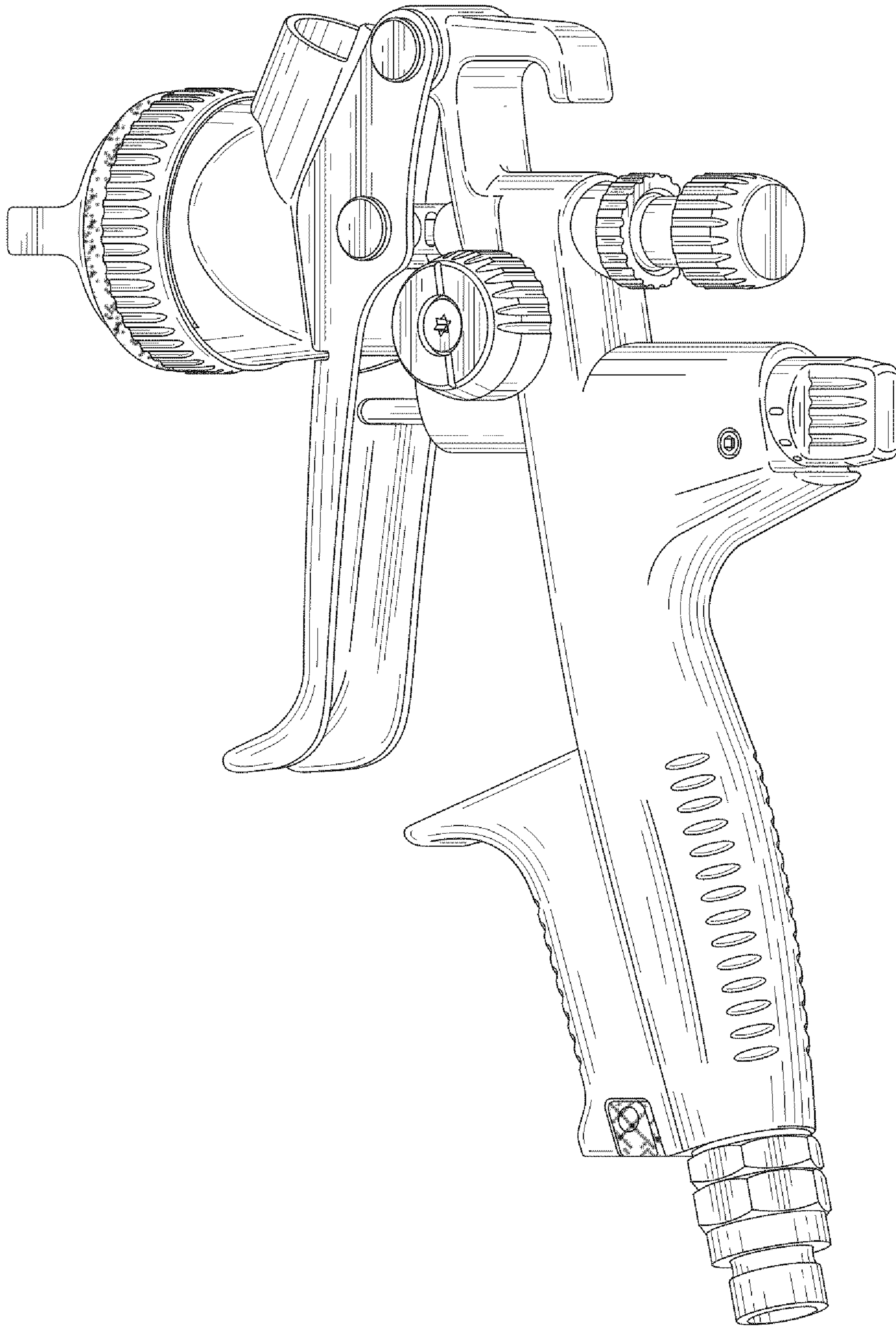


FIG. 10

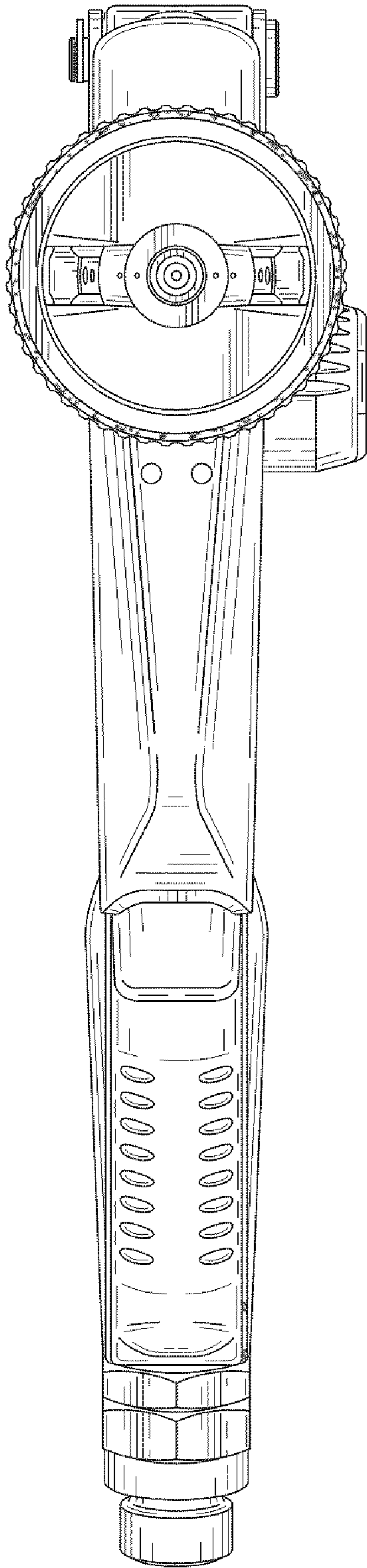


FIG. 11

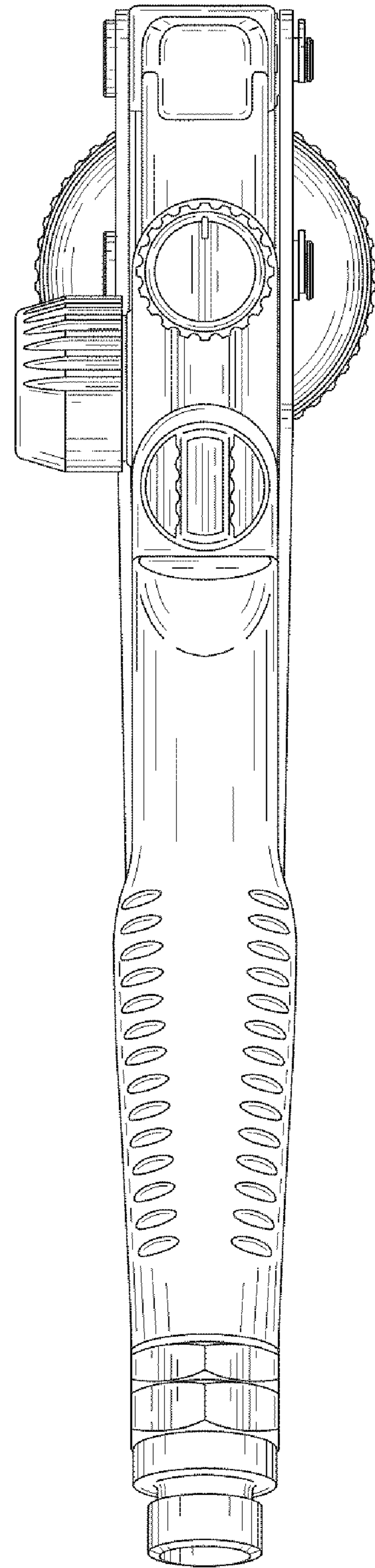


FIG. 12



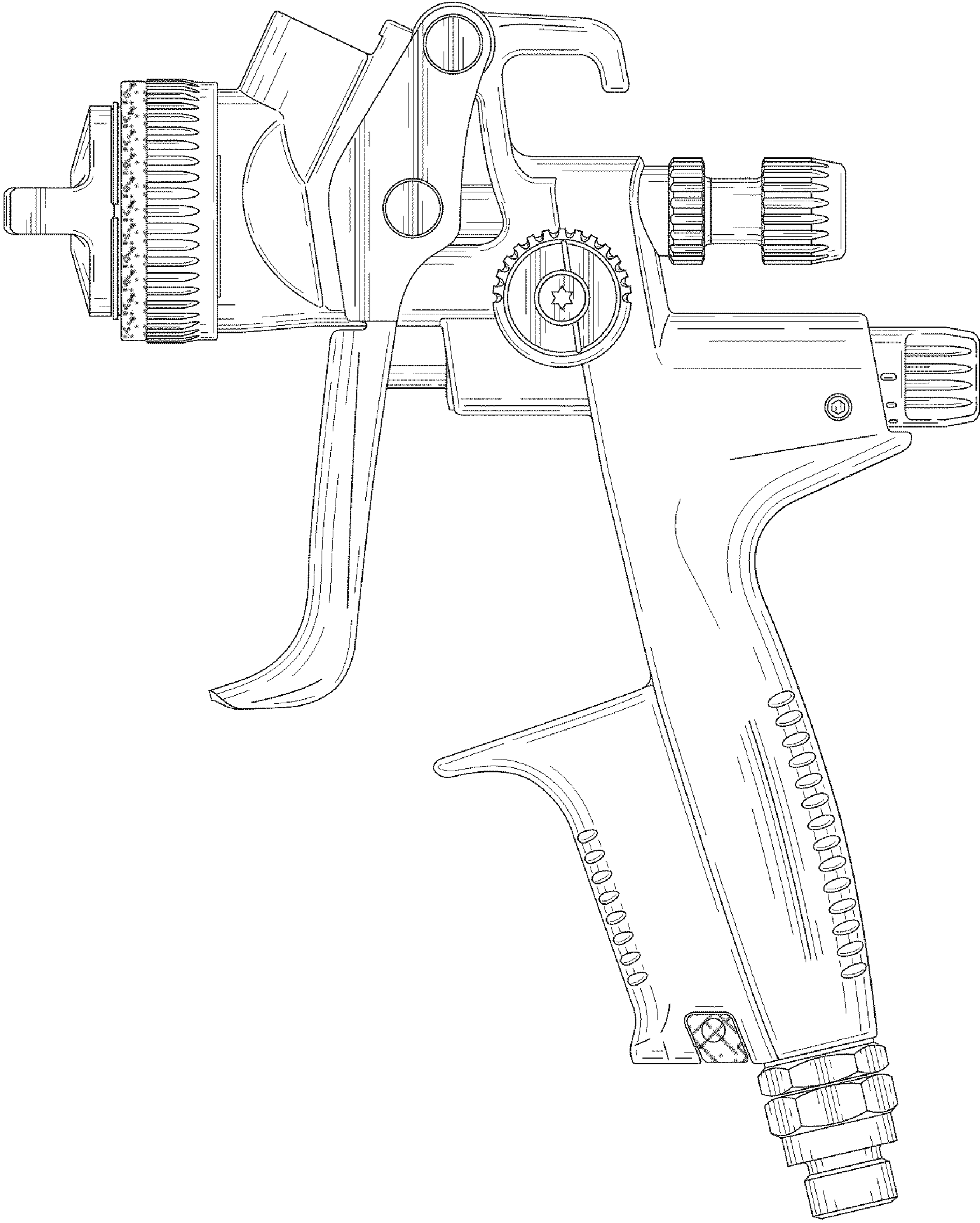


FIG. 13

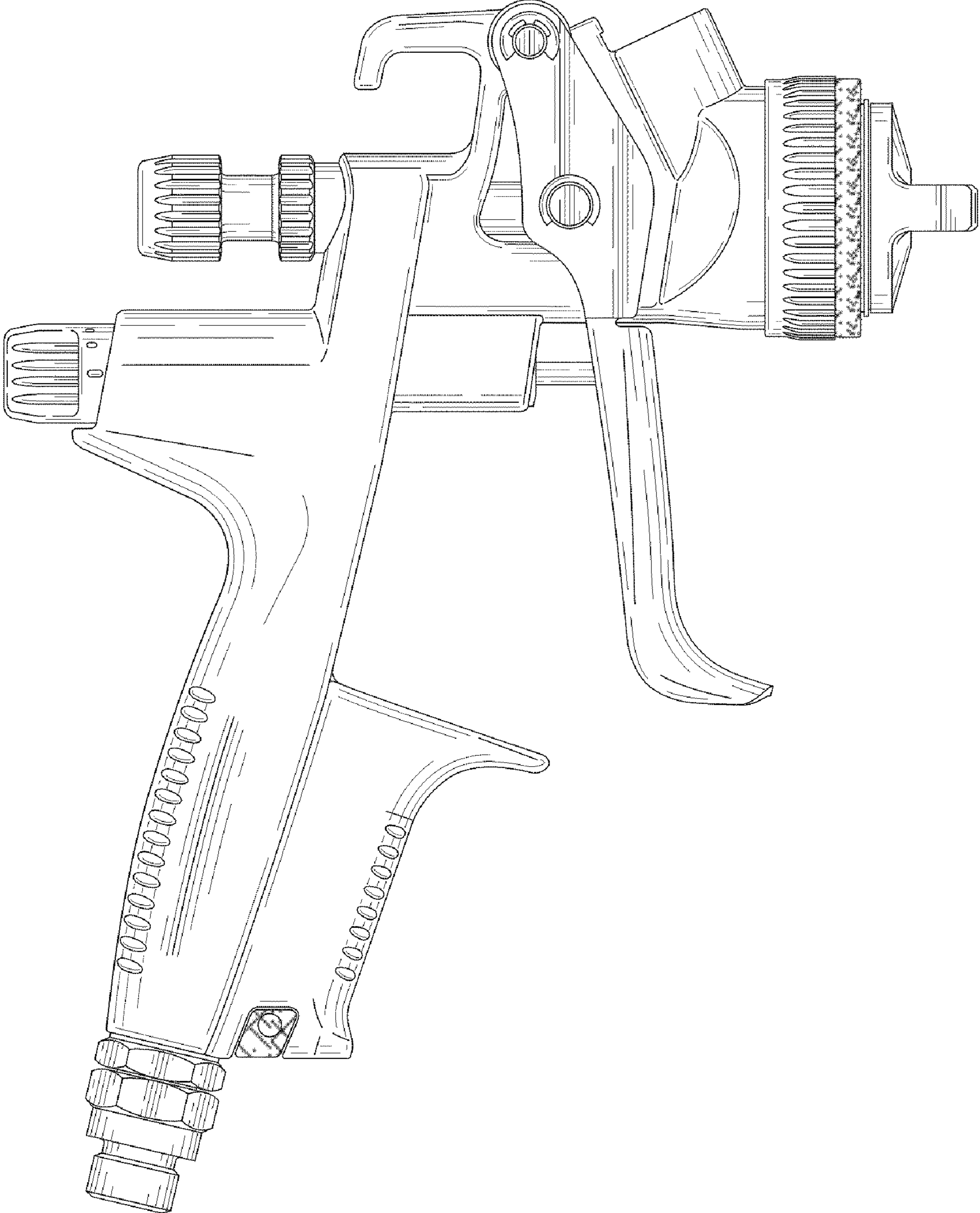


FIG. 14

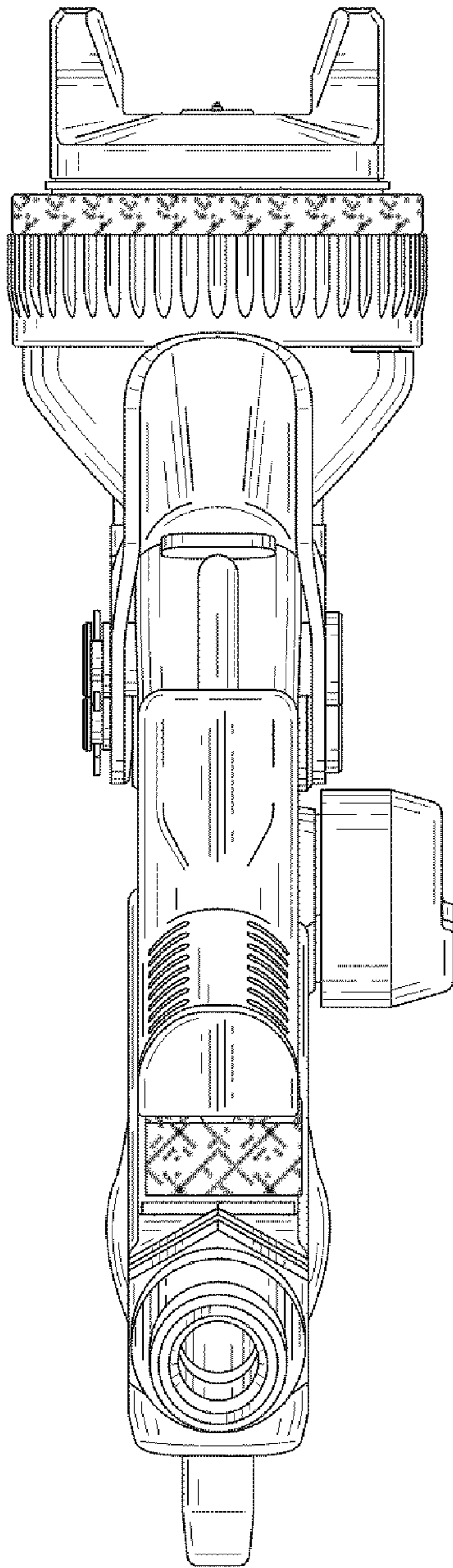


FIG. 15

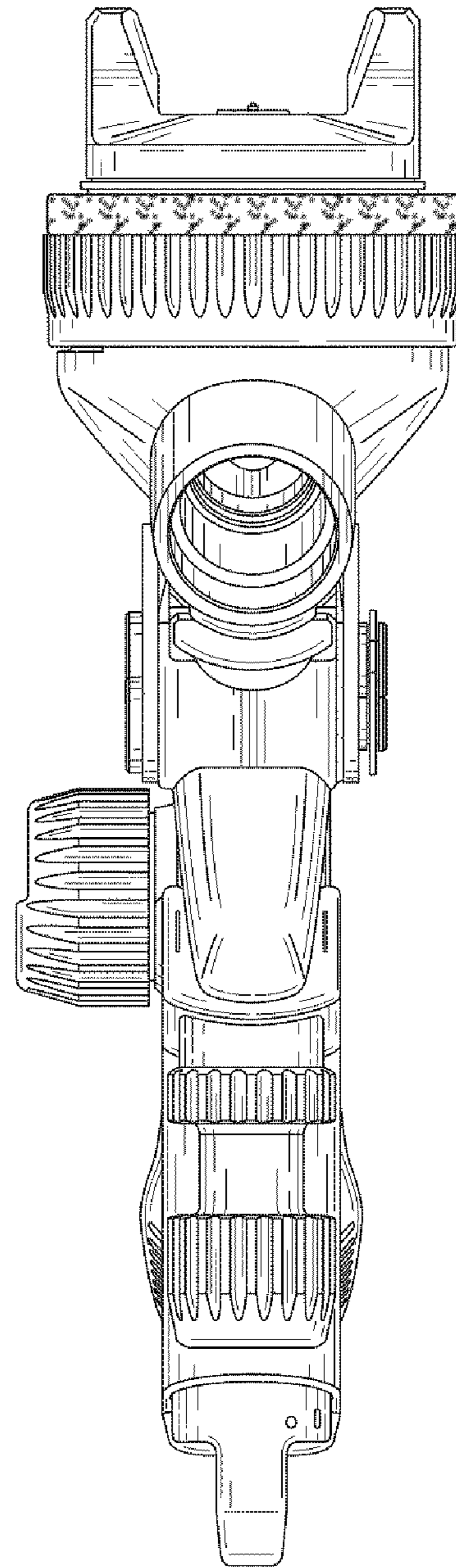


FIG. 16



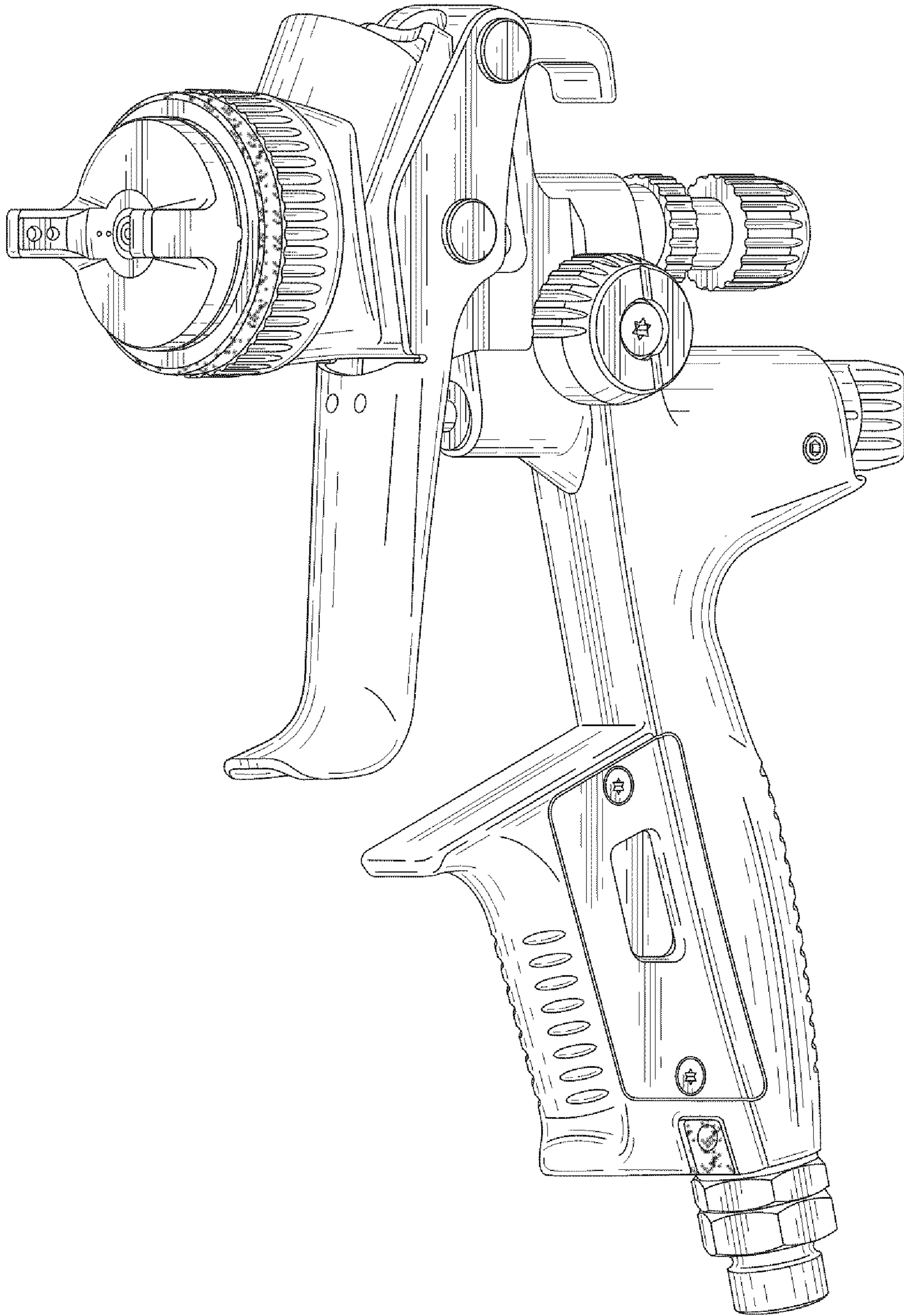


FIG. 17

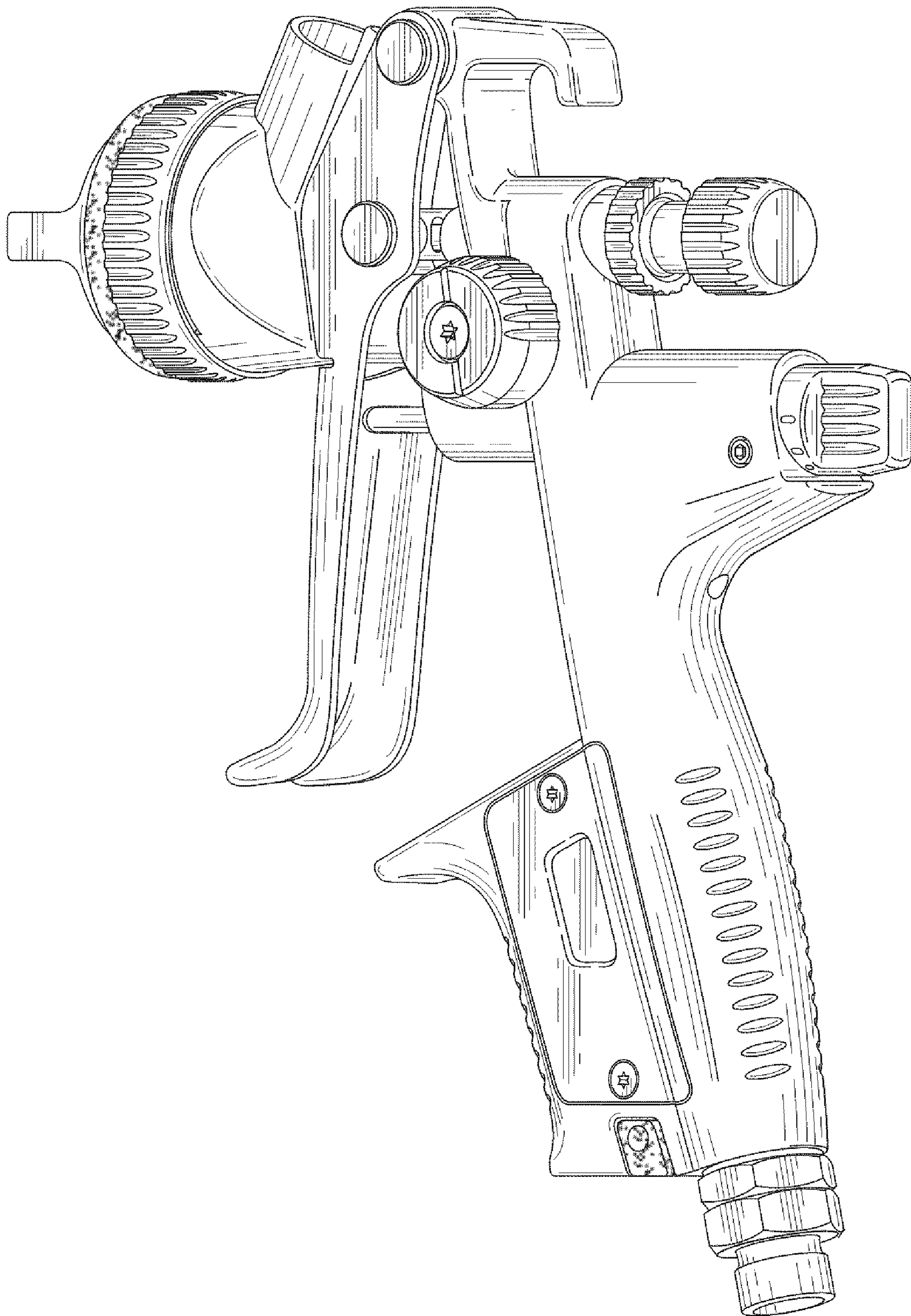


FIG. 18

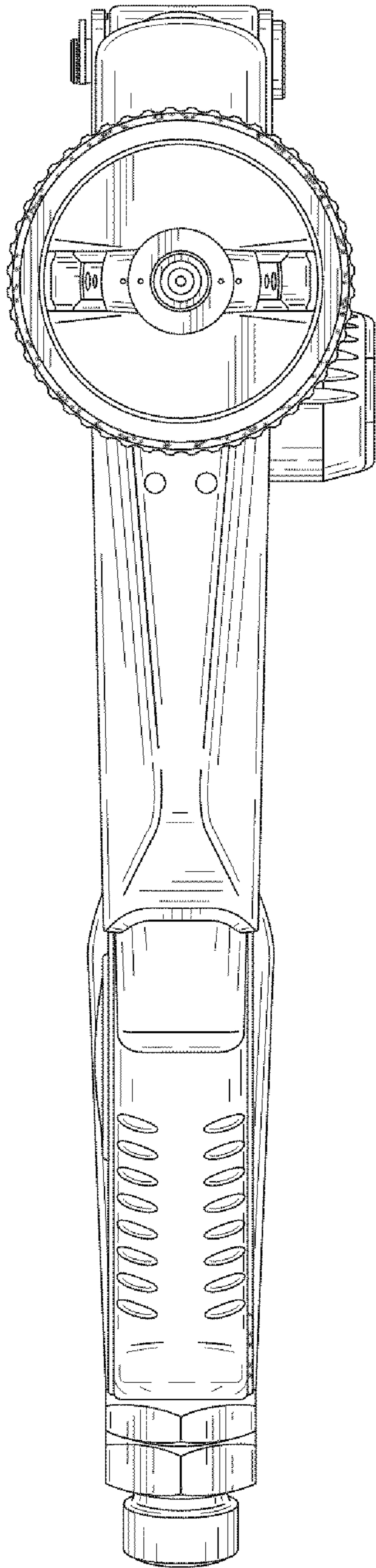


FIG. 19

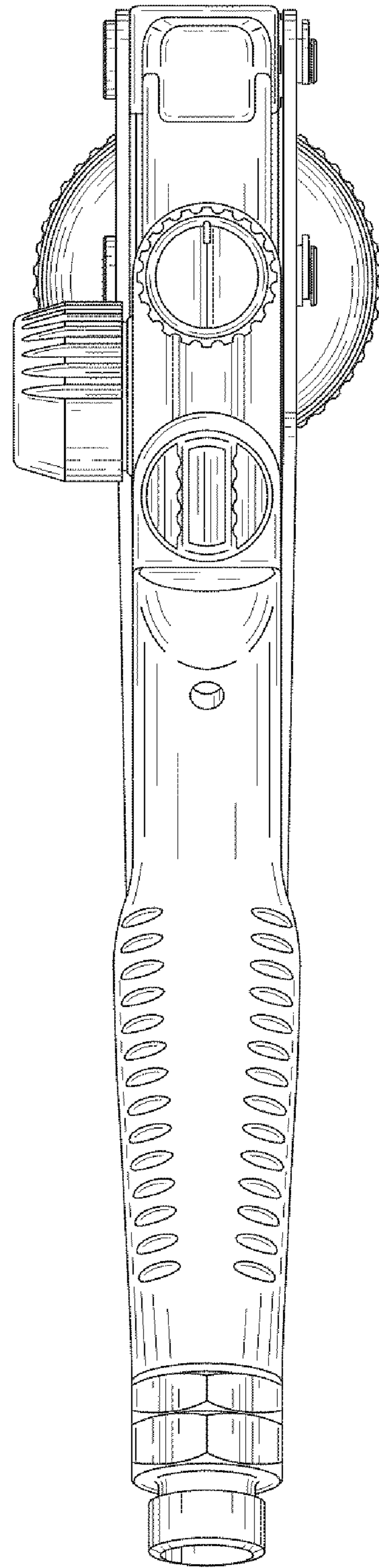


FIG. 20



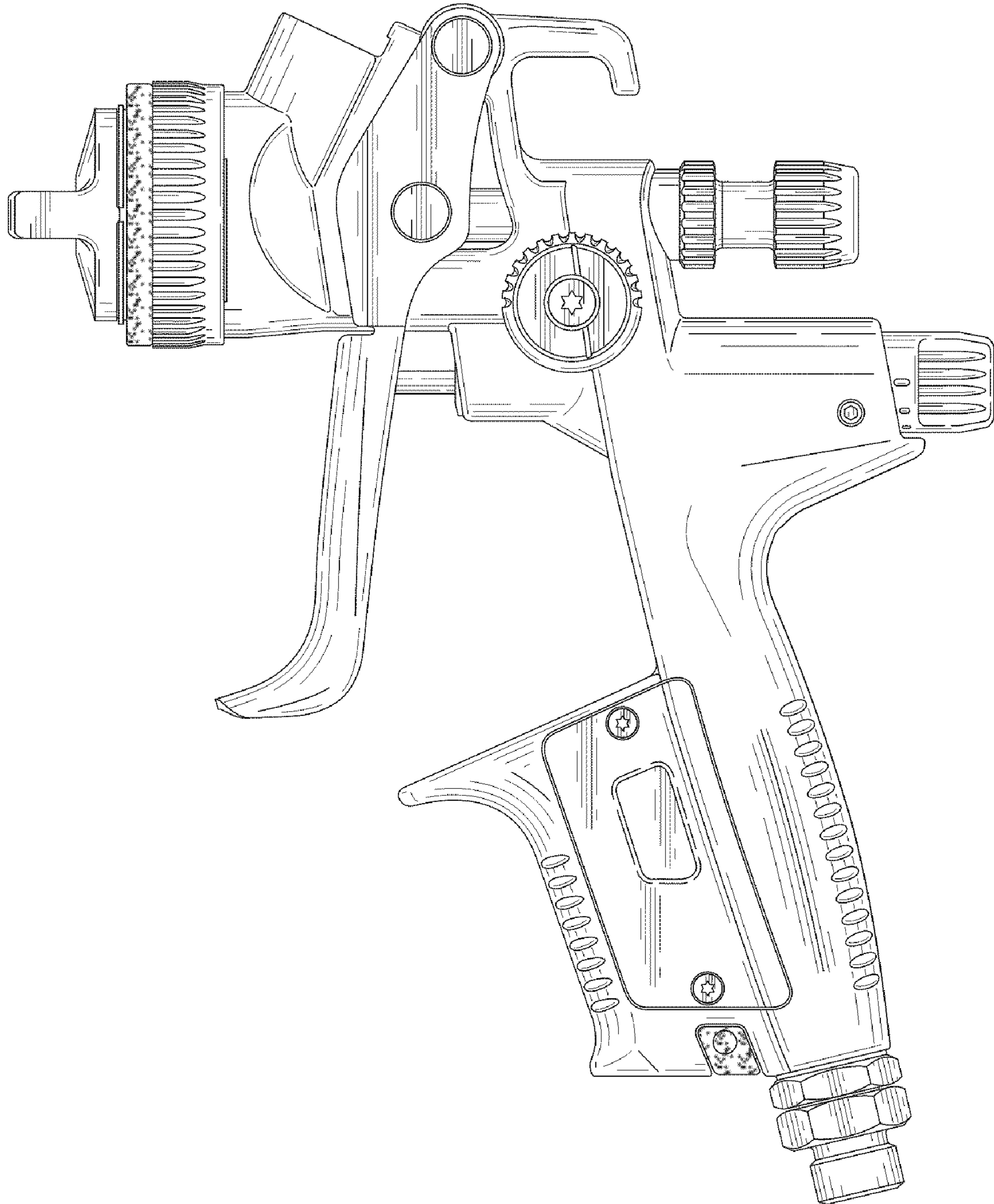


FIG. 21

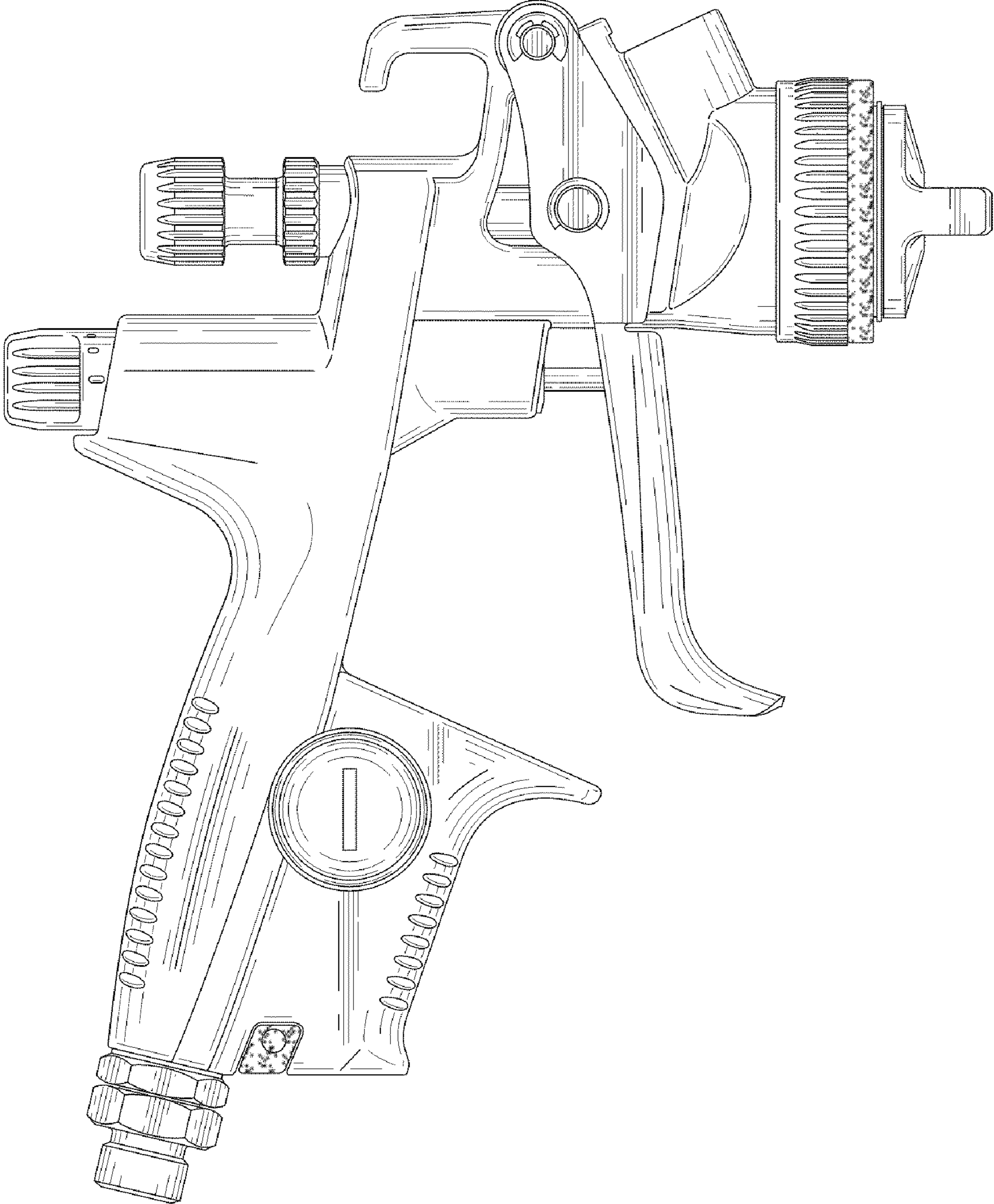


FIG. 22

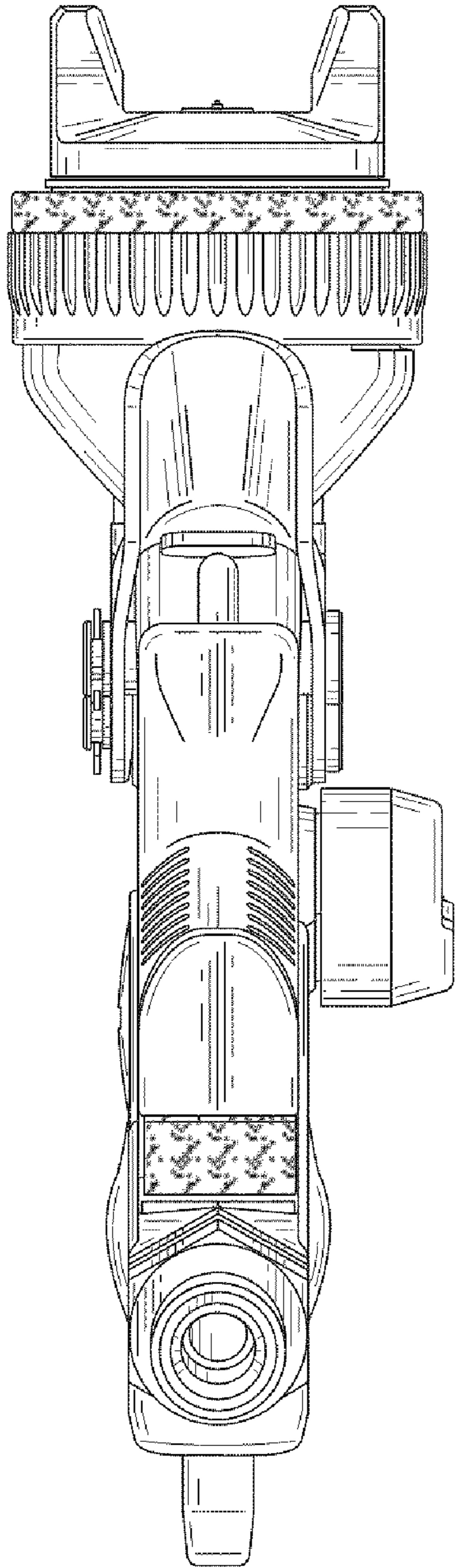


FIG. 23

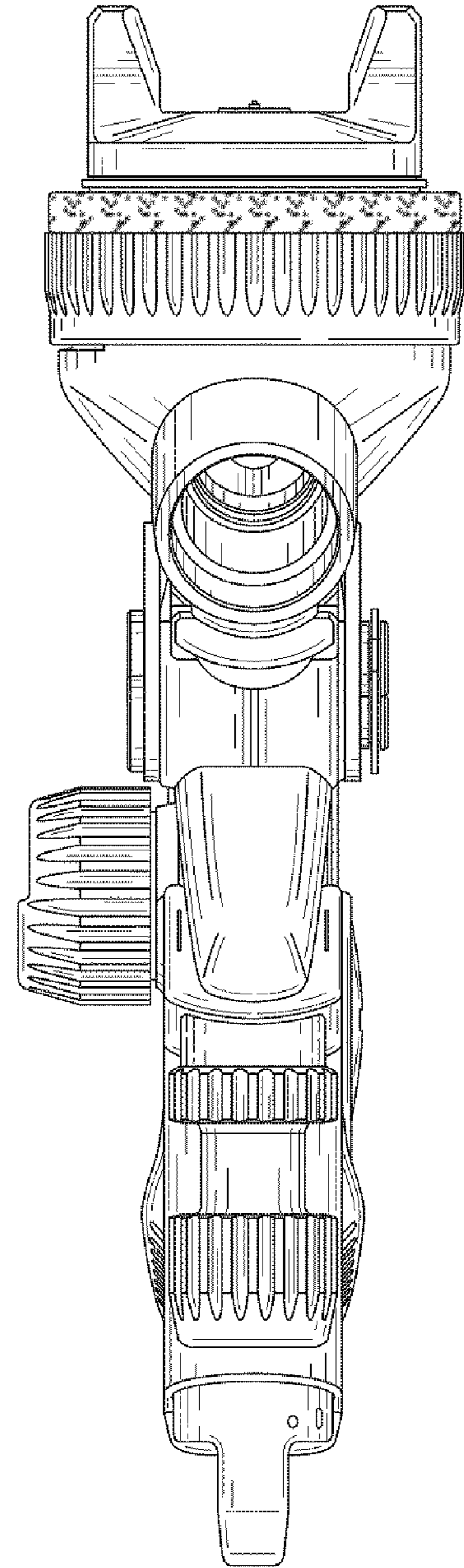


FIG. 24



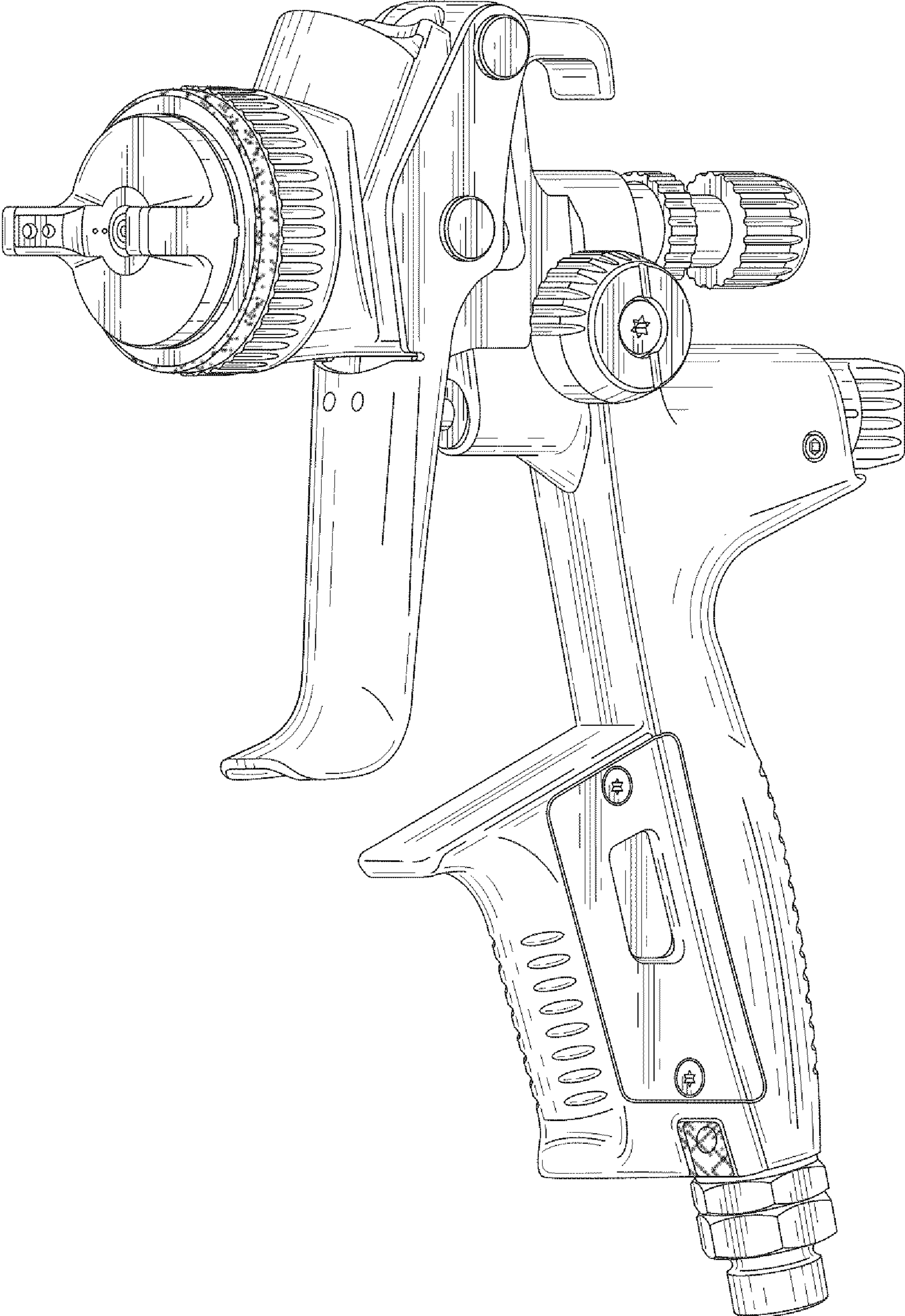


FIG. 25

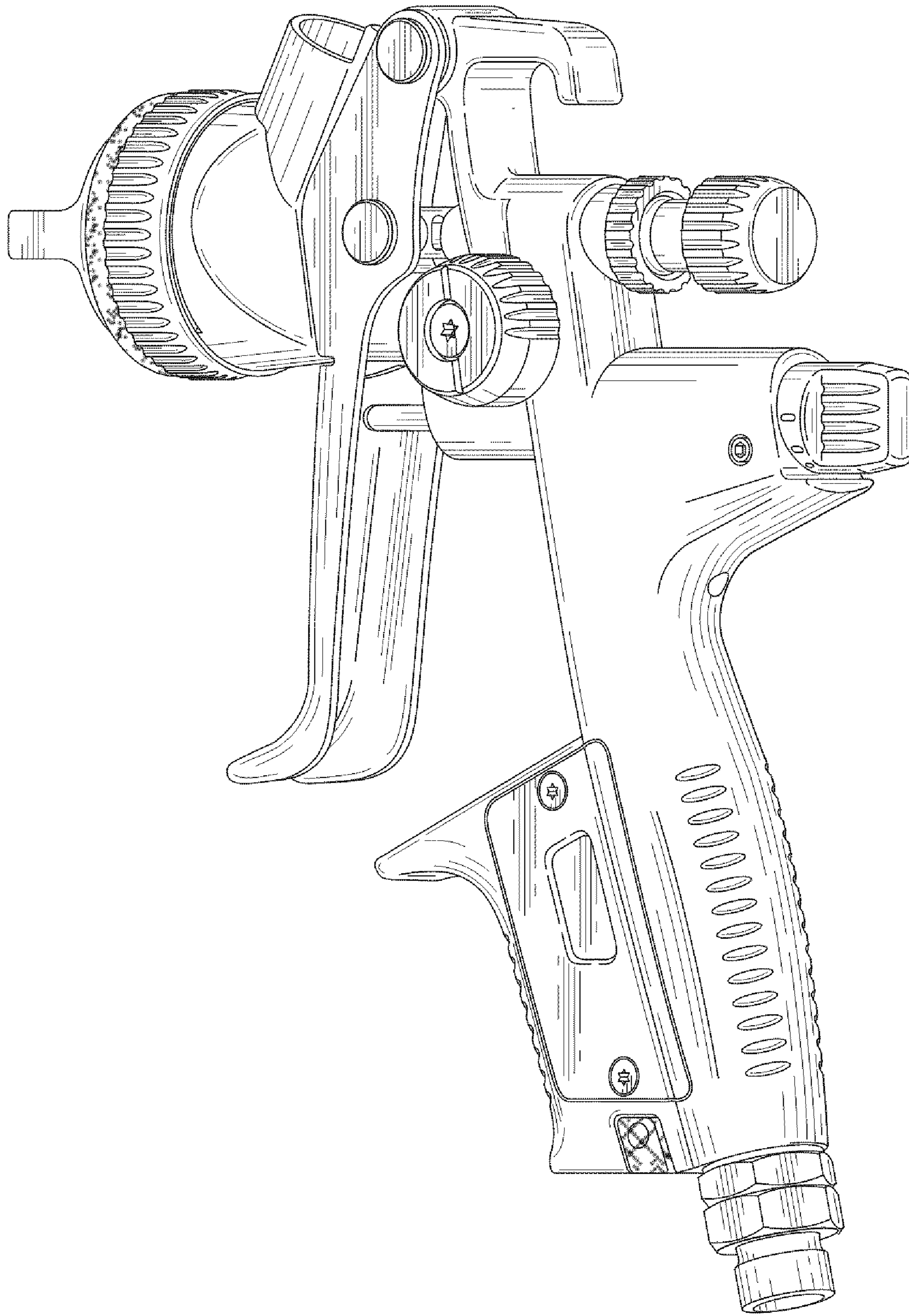


FIG. 26

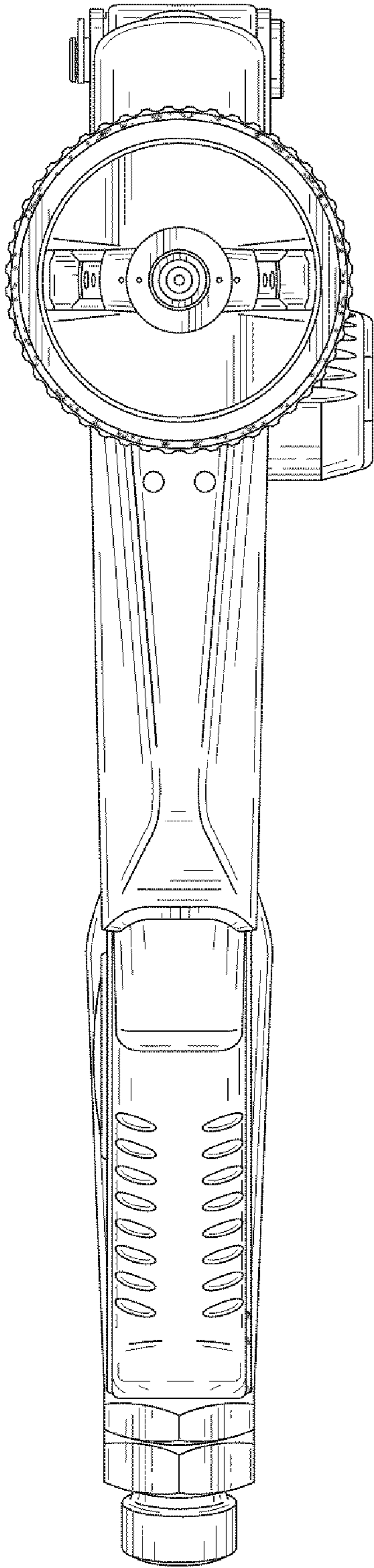


FIG. 27

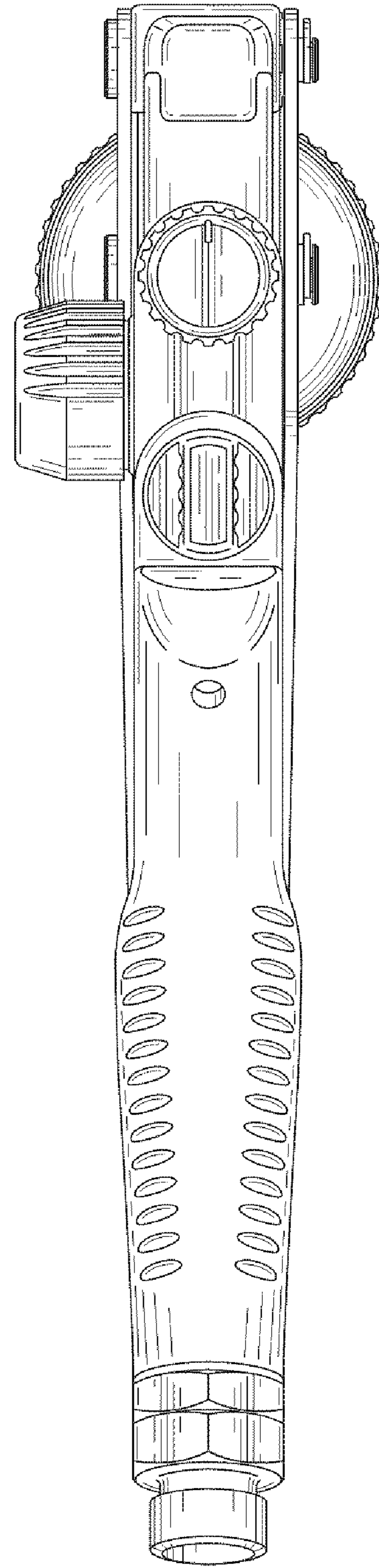


FIG. 28



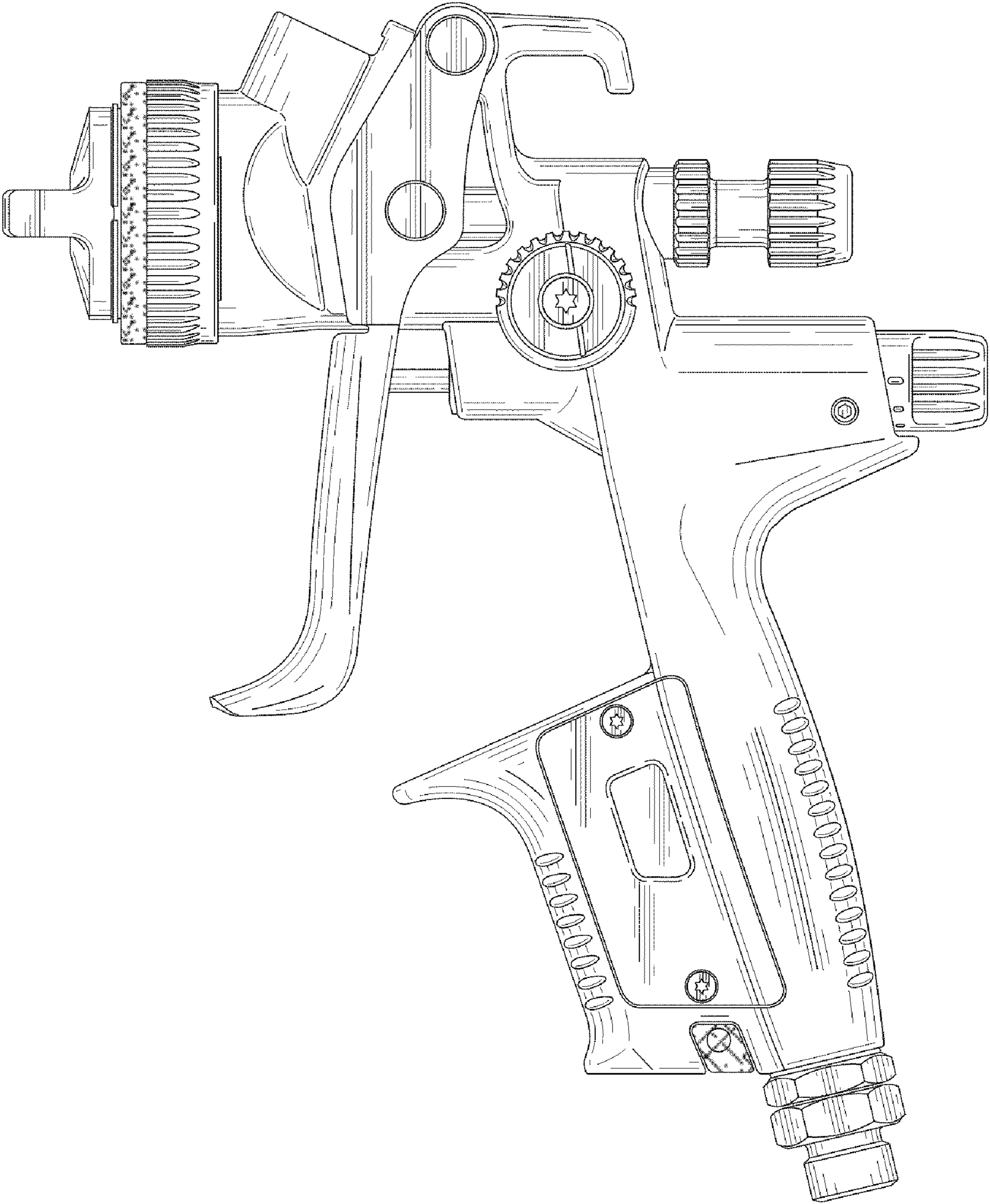


FIG. 29

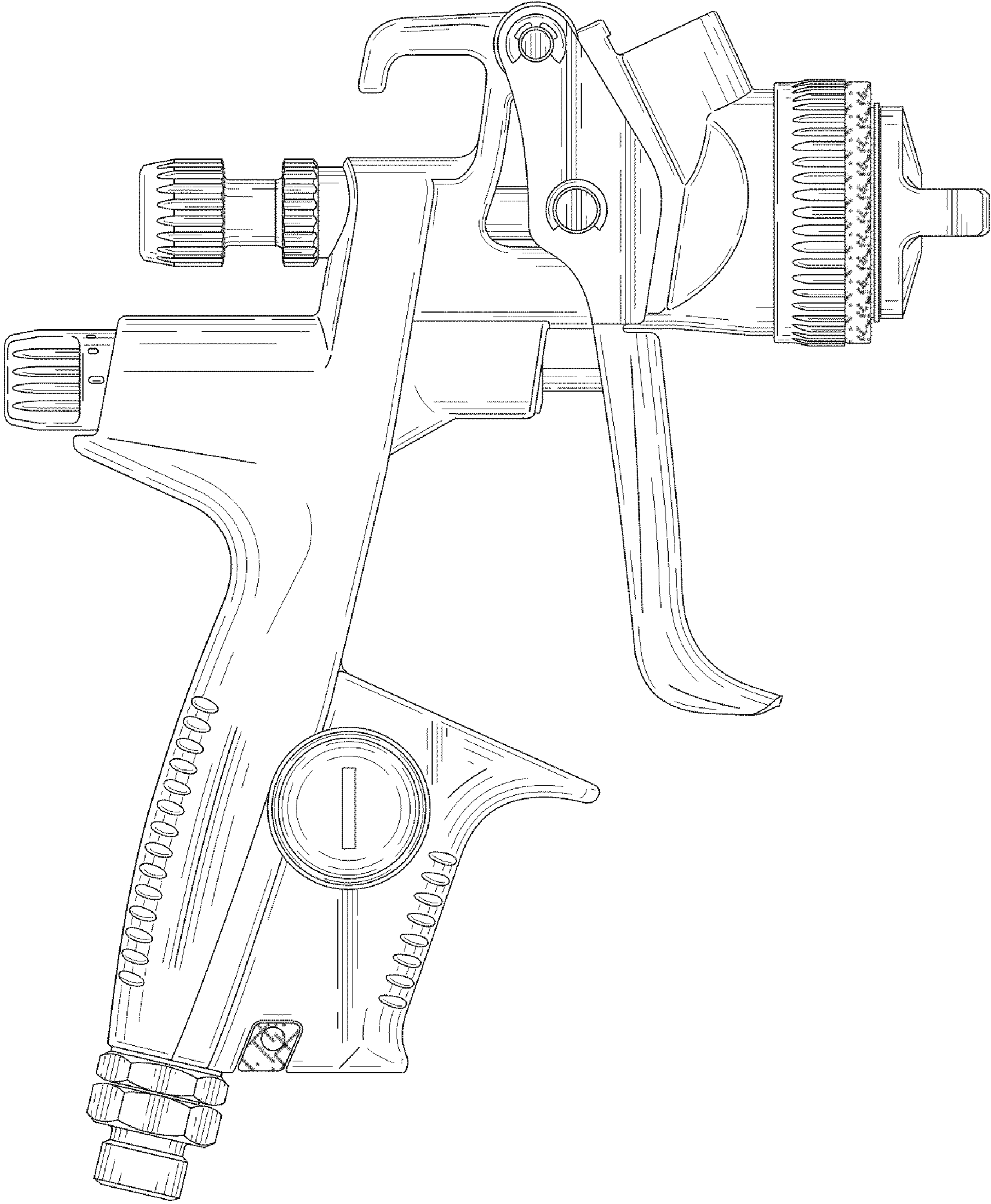


FIG. 30

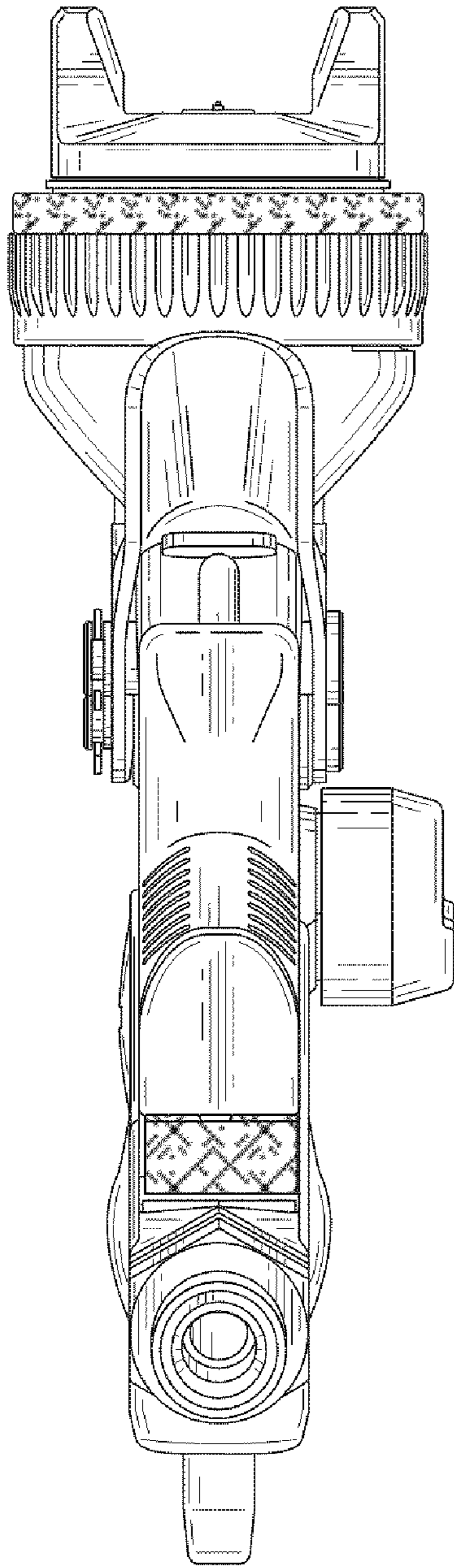


FIG. 31

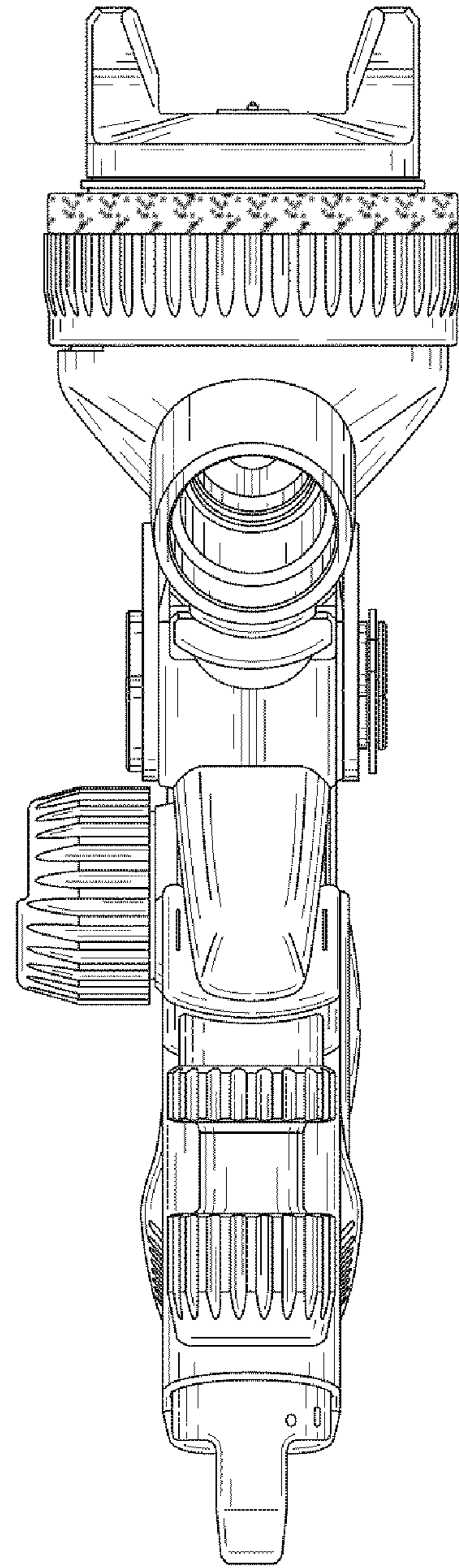


FIG. 32