



US00D644715S

(12) **United States Design Patent**
Woodling

(10) **Patent No.:** **US D644,715 S**

(45) **Date of Patent:** **** Sep. 6, 2011**

(54) **SPRAY GUN**

(76) **Inventor:** **Benjamin Compton Woodling,**
Southampton (GB)

(**) **Term:** **14 Years**

(21) **Appl. No.:** **29/377,421**

(22) **Filed:** **Oct. 21, 2010**

(51) **LOC (9) Cl.** **23-01**

(52) **U.S. Cl.** **D23/225**

(58) **Field of Classification Search** D23/213,
D23/223, 225, 226; 239/332, 333, 337, 302,
239/308, 316, DIG. 14, 152, 154
See application file for complete search history.

(56) **References Cited**

U.S. PATENT DOCUMENTS

4,687,140	A *	8/1987	Hasegawa	239/332
D519,603	S *	4/2006	Schumann et al.	D23/225
7,182,280	B2 *	2/2007	Ye et al.	239/526
D573,226	S *	7/2008	Everett et al.	D23/225
7,556,211	B2 *	7/2009	Duncan	239/290

D604,393	S *	11/2009	Johnson et al.	D23/225
D609,778	S *	2/2010	Woodgate	D23/225
D630,708	S *	1/2011	Blenkush et al.	D23/225

* cited by examiner

Primary Examiner — Robin Webster

(74) *Attorney, Agent, or Firm* — Lambert & Associates;
David J. Connaughton, Jr.; Gary Lambert

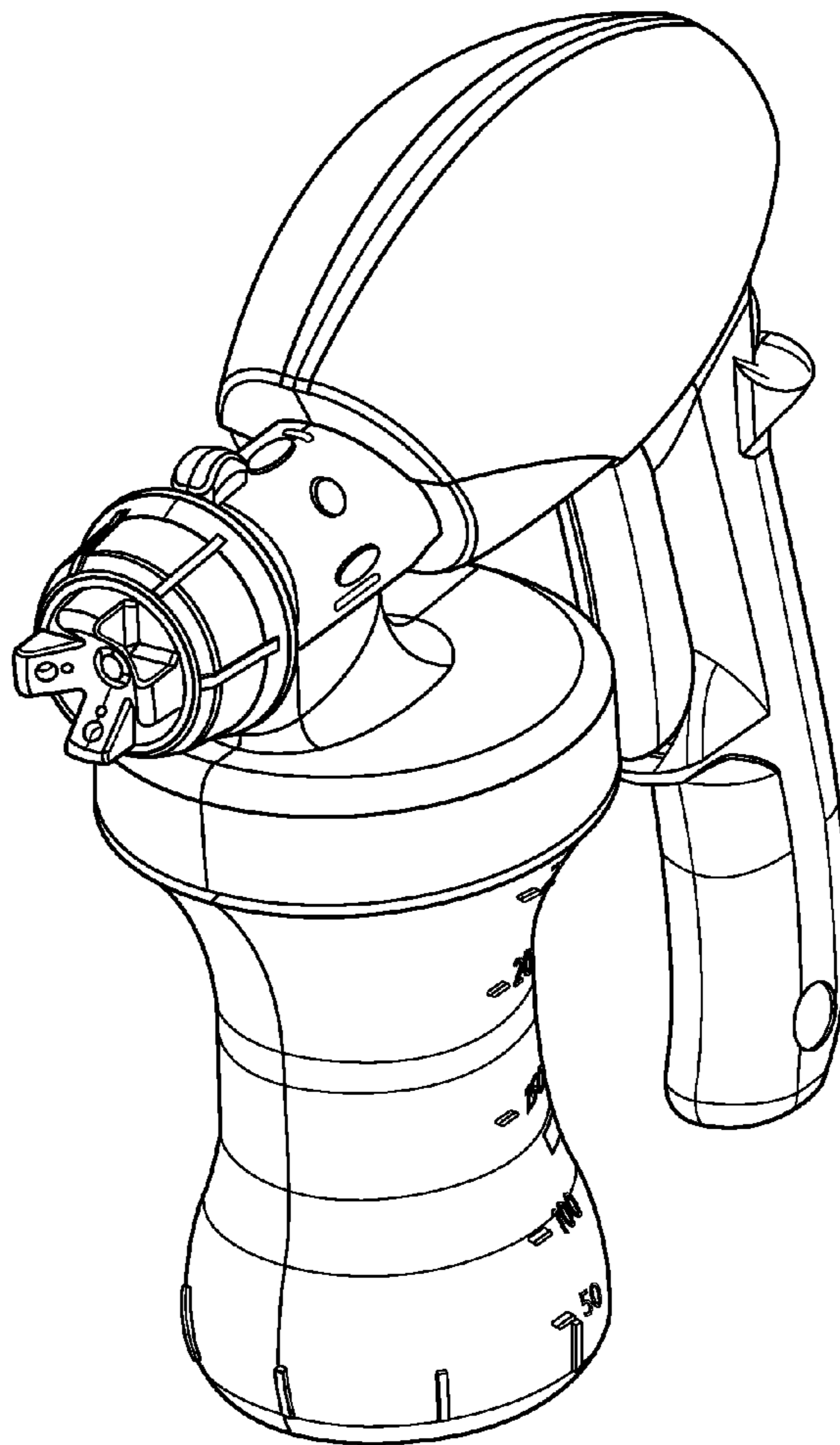
(57) **CLAIM**

I claim the ornamental design for a spray gun, as shown and described.

DESCRIPTION

FIG. 1 is a perspective view of a spray gun showing my new design;
FIG. 2 is a front view thereof;
FIG. 3 is a back view thereof;
FIG. 4 is a right side view thereof;
FIG. 5 is a left side view thereof;
FIG. 6 is an enlarged top view thereof; and,
FIG. 7 is a bottom view thereof.

1 Claim, 7 Drawing Sheets



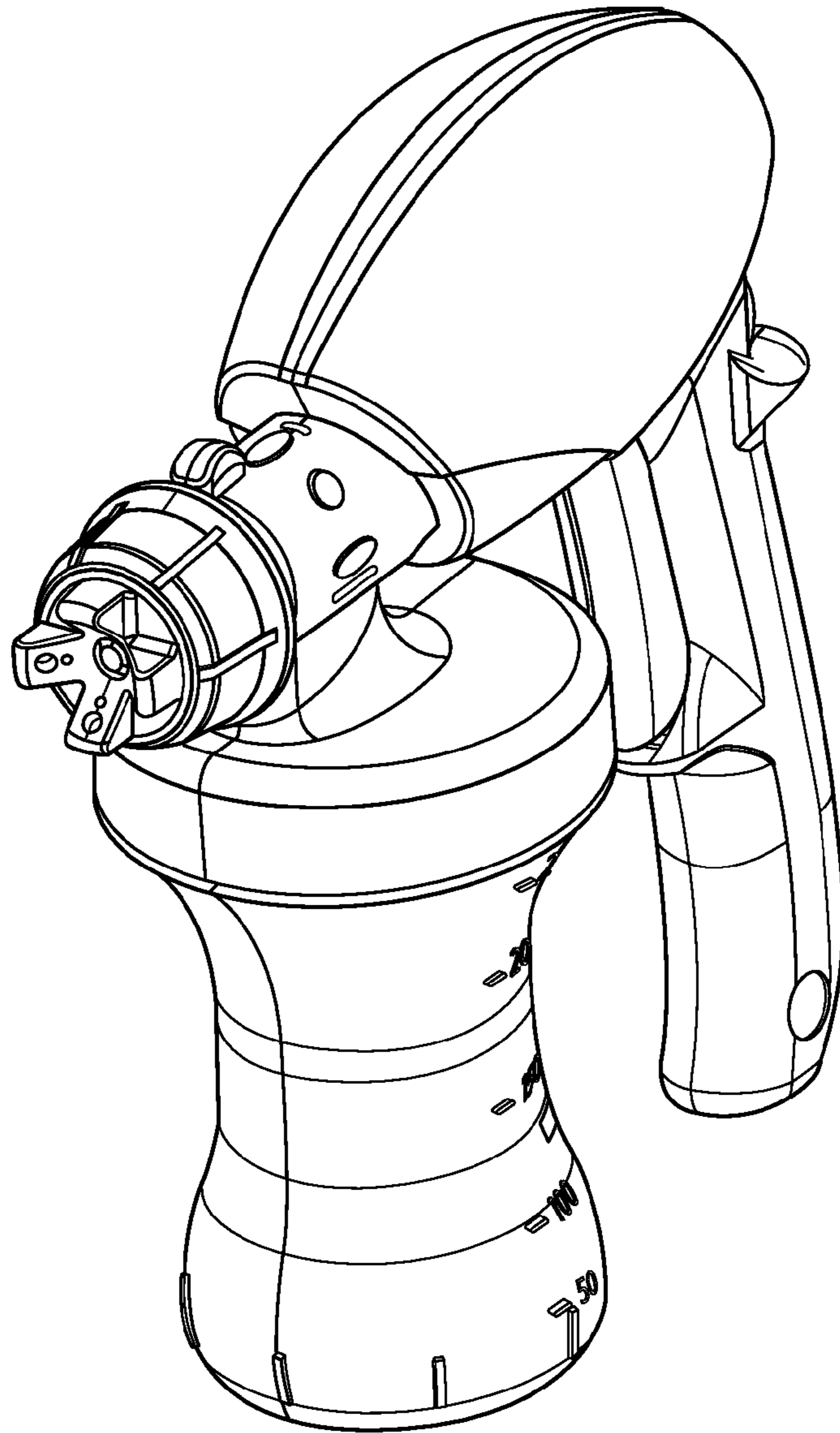


Fig. 1

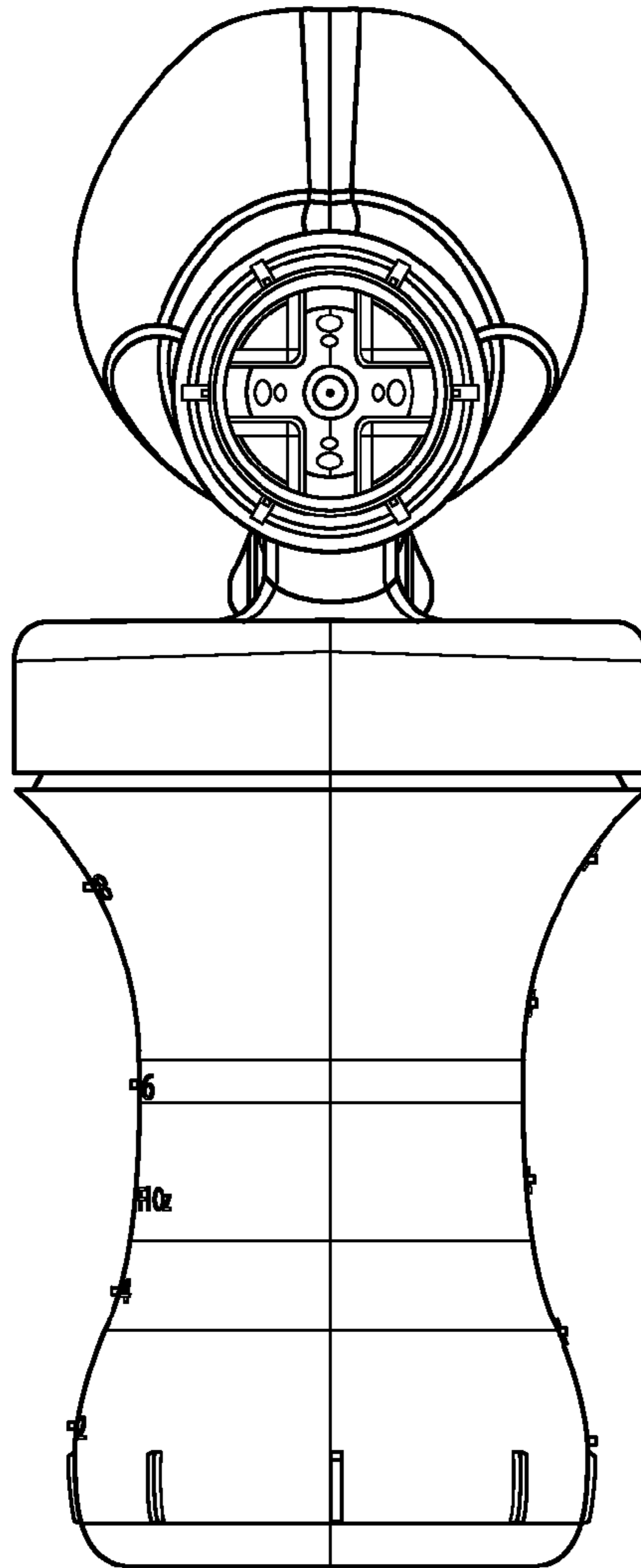


Fig. 2

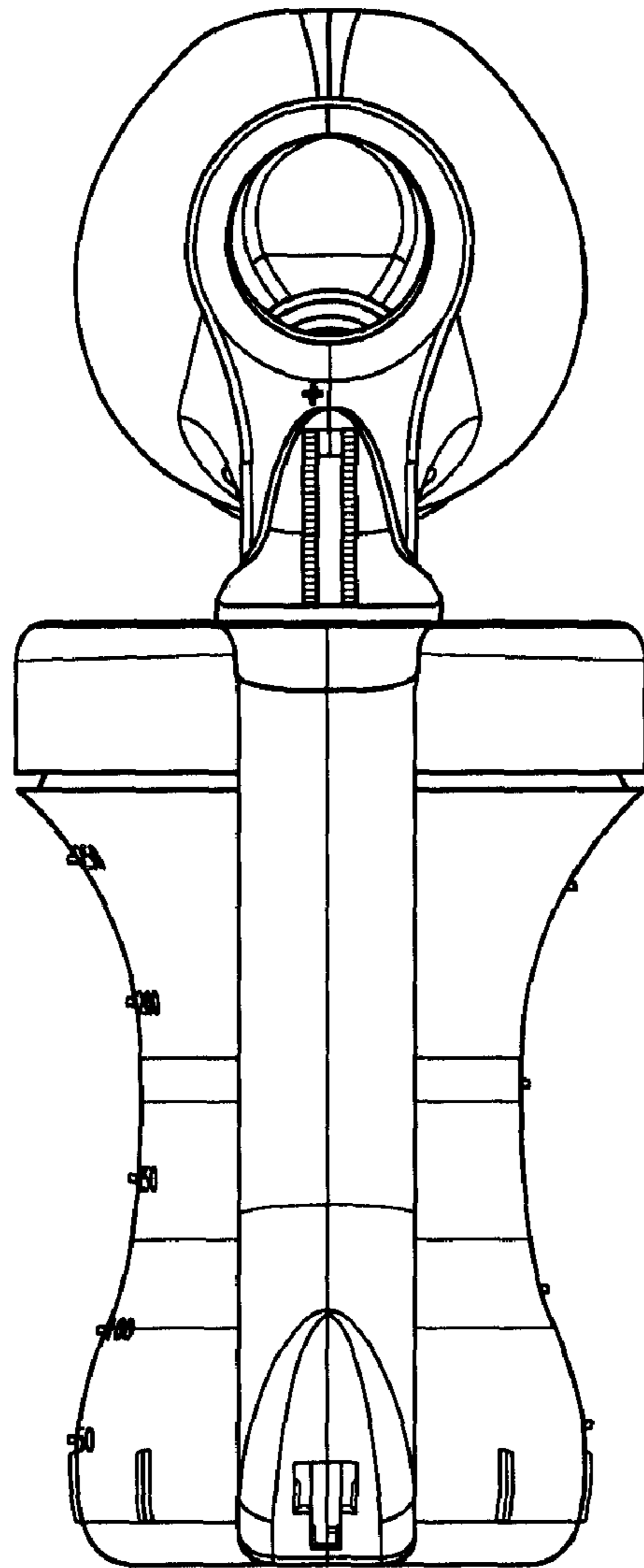


Fig. 3

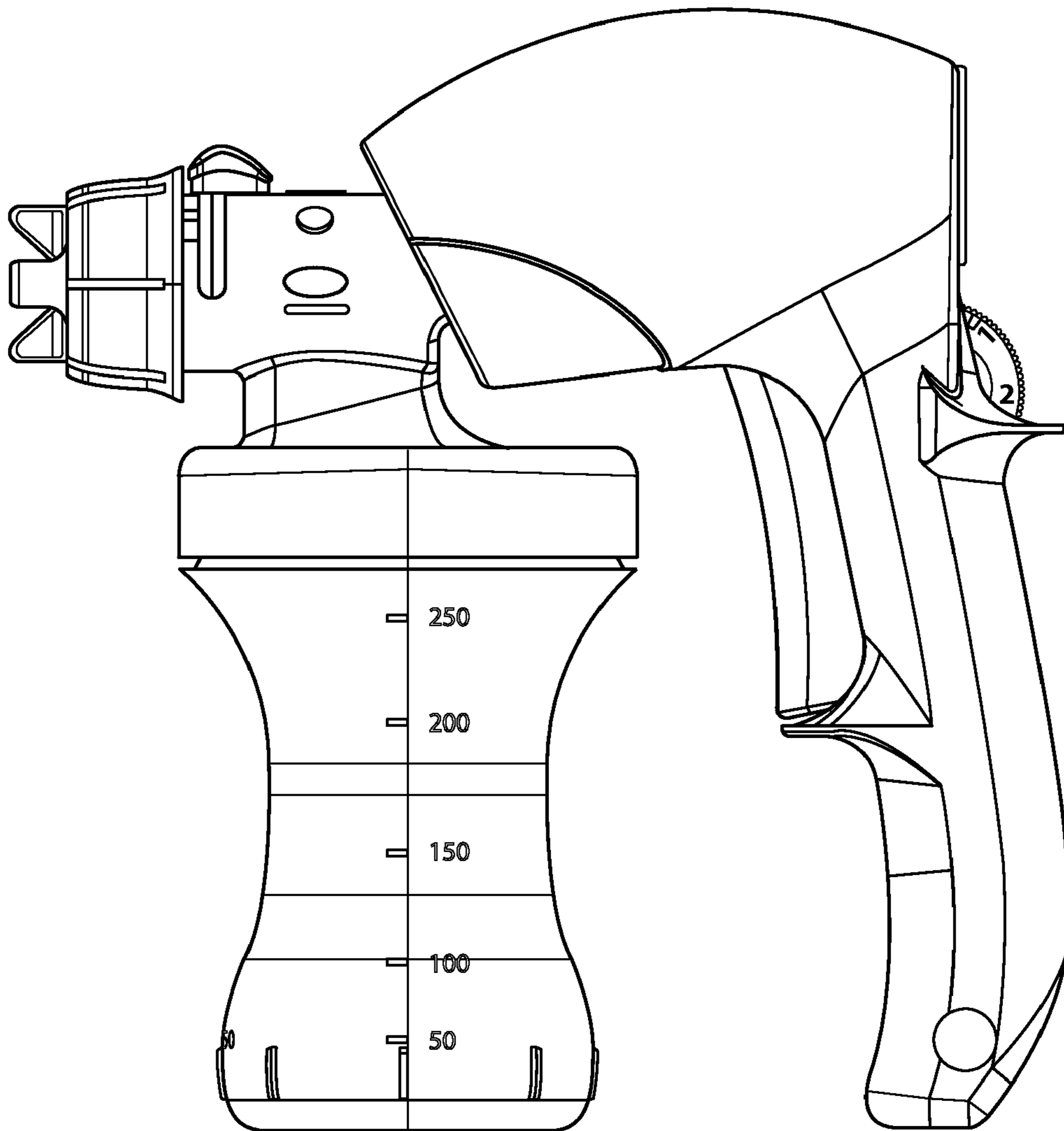


Fig. 4

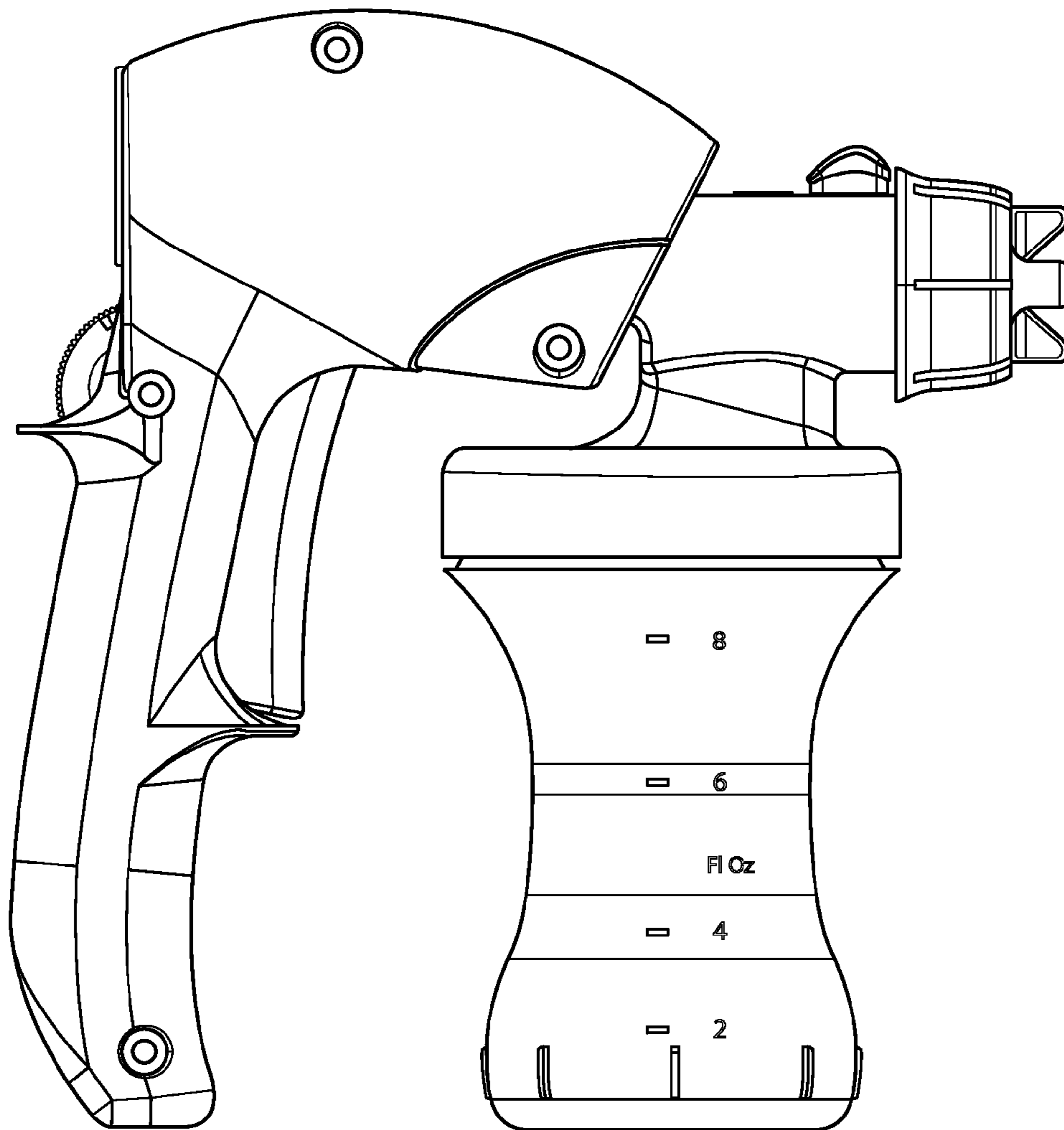


Fig. 5

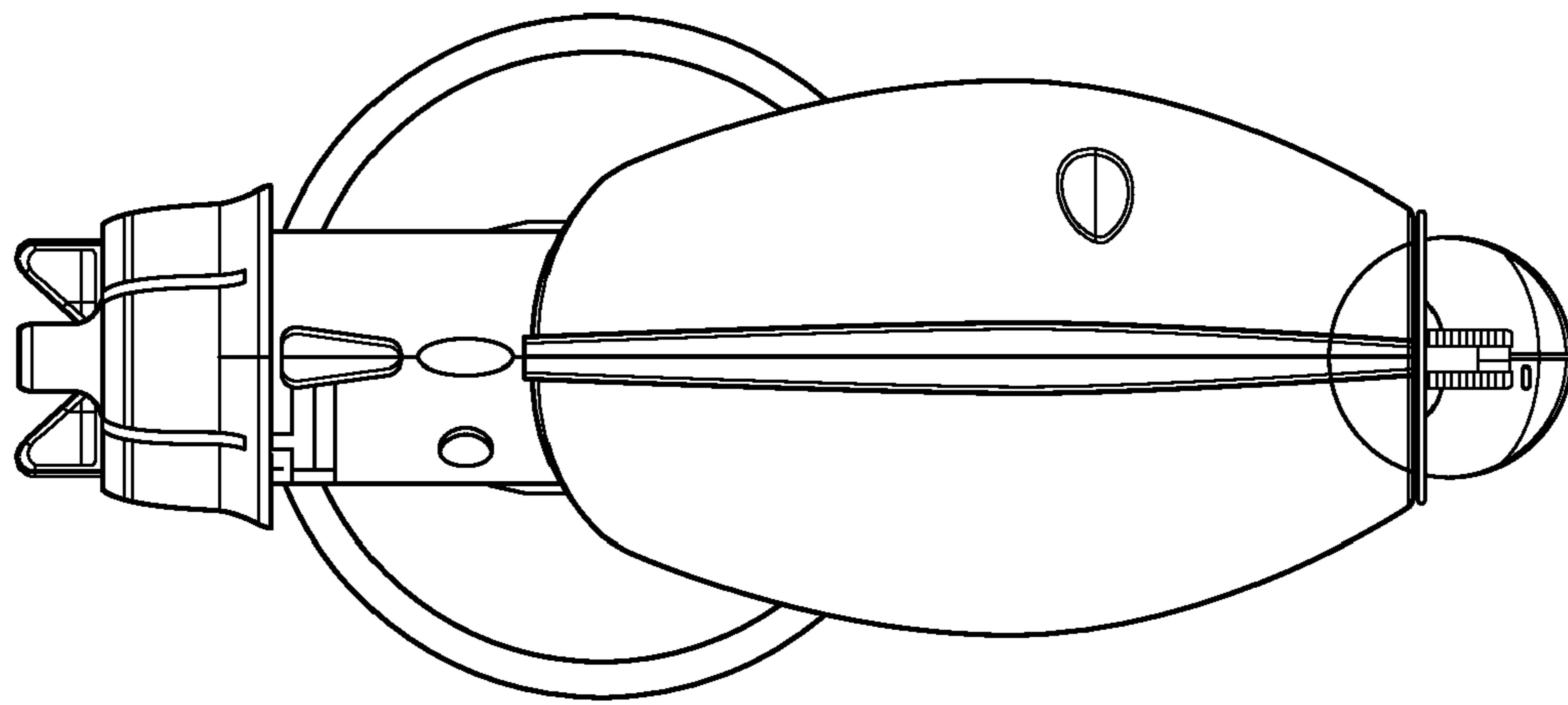


Fig. 6

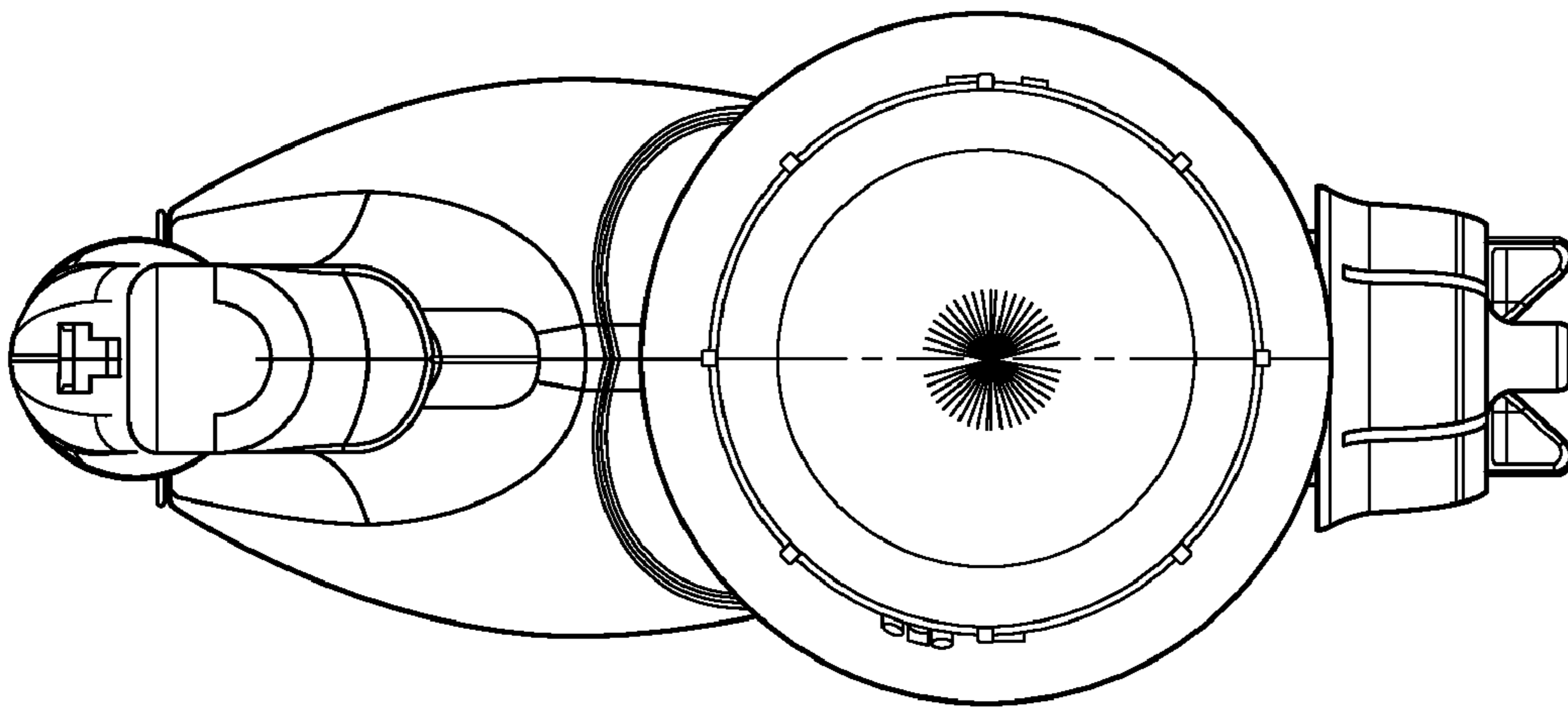


Fig. 7