



US00D644714S

(12) **United States Design Patent**  
**Mauchle et al.**

(10) **Patent No.:** **US D644,714 S**

(45) **Date of Patent:** **\*\* Sep. 6, 2011**

(54) **NOZZLE FOR SPRAY COATING DEVICE**

6,722,579 B1 \* 4/2004 Mattes et al. .... 239/88  
7,510,129 B2 \* 3/2009 Kuronita et al. .... 239/556  
7,628,344 B2 \* 12/2009 Mahakul et al. .... 239/533.9

(75) Inventors: **Felix Mauchle**, Abtwil (CH); **Marco Sanwald**, Abtwil (CH)

\* cited by examiner

(73) Assignee: **Illinois Tool Works Inc.**, Glenview, IL (US)

*Primary Examiner* — Robin V Webster

(74) *Attorney, Agent, or Firm* — Lowe Hauptman Ham & Berner LLP

(\*\*) Term: **14 Years**

(21) Appl. No.: **29/382,358**

(57) **CLAIM**

The ornamental design for a nozzle for spray coating device, as shown and described.

(22) Filed: **Jan. 3, 2011**

**DESCRIPTION**

(30) **Foreign Application Priority Data**

Jul. 1, 2010 (EP) ..... 001222715

(51) **LOC (9) Cl.** ..... **23-01**

(52) **U.S. Cl.** ..... **D23/213**

(58) **Field of Classification Search** ..... D23/213;  
239/584, 88, 89, 418, DIG. 21, DIG. 22  
See application file for complete search history.

FIG. 1 is a top-front-left perspective view of a nozzle for spray coating device bearing the design;

FIG. 2 is a top view of the nozzle of FIG. 1;

FIG. 3 is a bottom view of the nozzle of FIG. 1;

FIG. 4 is a left view of the nozzle of FIG. 1;

FIG. 5 is a right view of the nozzle of FIG. 1;

FIG. 6 is a front view of the nozzle of FIG. 1, wherein a rear view of the nozzle of FIG. 1 is a mirror image of the front view; and,

FIG. 7 is a bottom-rear-left perspective view of the nozzle of FIG. 1.

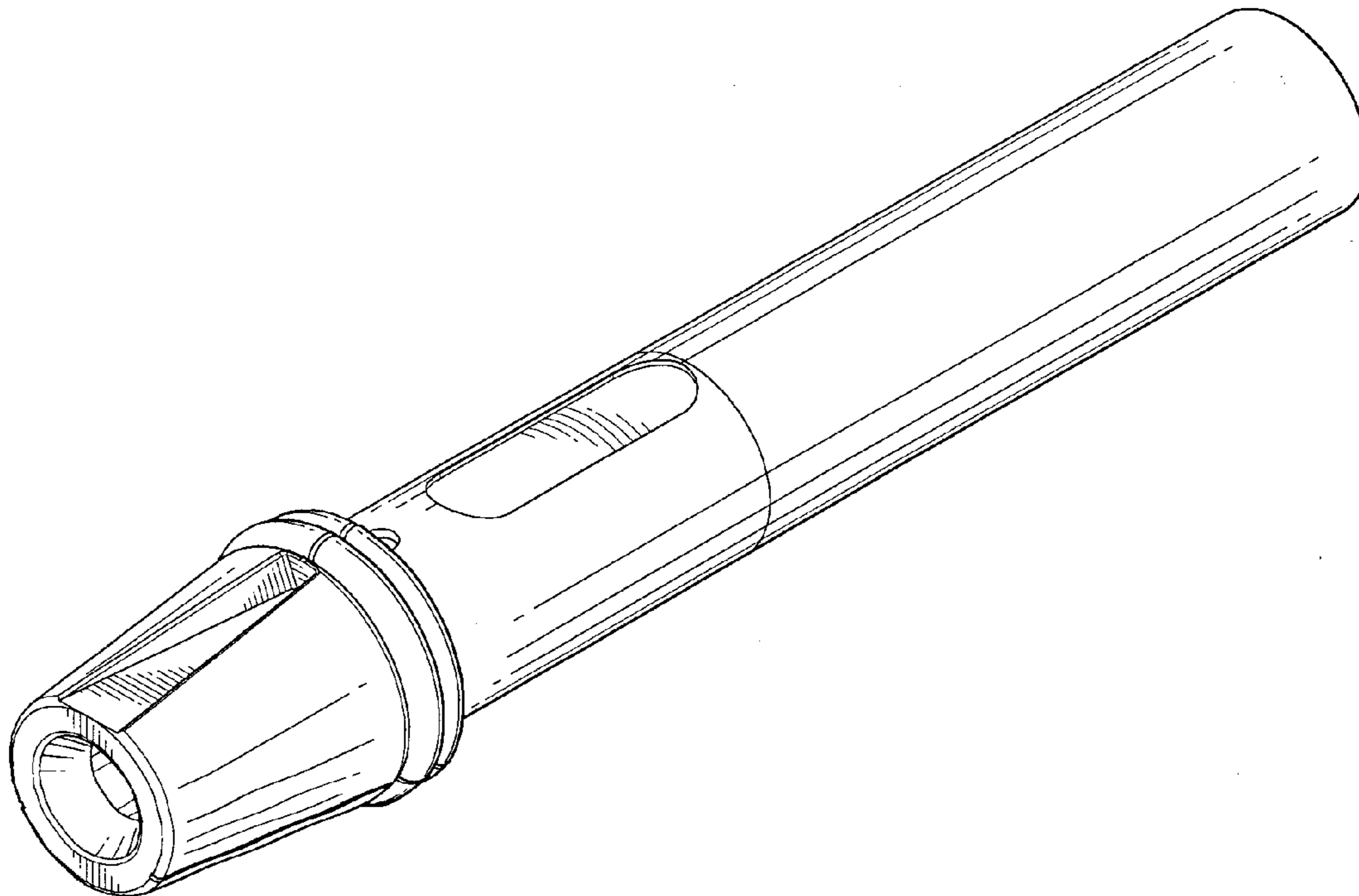
(56) **References Cited**

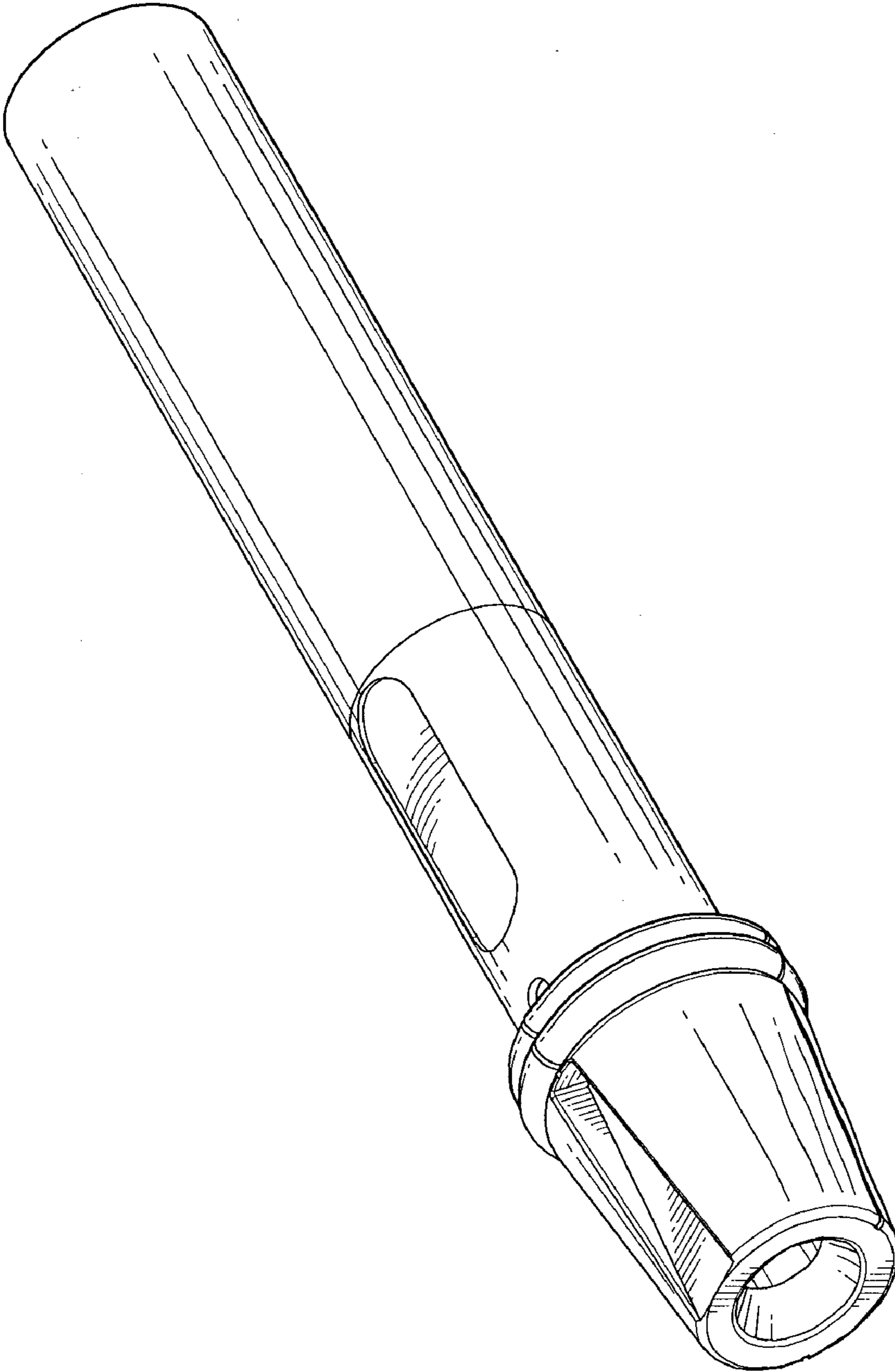
**U.S. PATENT DOCUMENTS**

5,344,073 A \* 9/1994 Waryu et al. .... 239/1

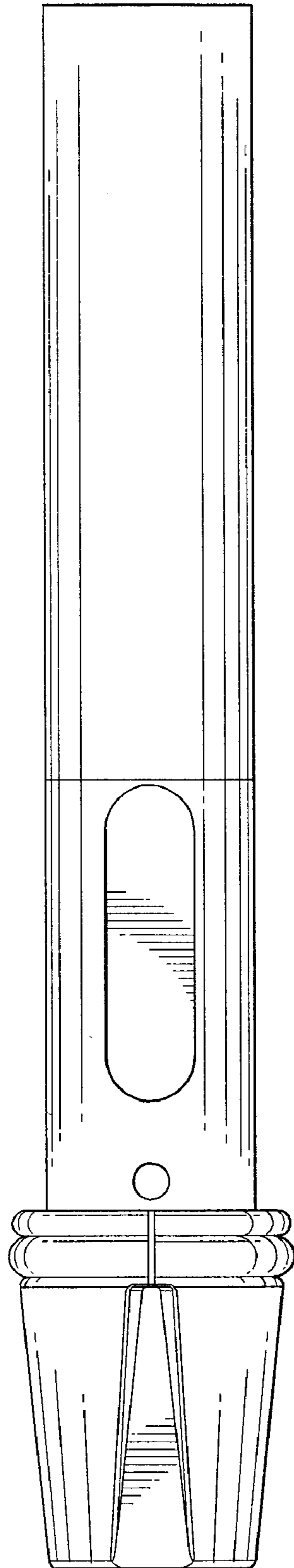
5,964,418 A \* 10/1999 Scarpa et al. .... 239/424

**1 Claim, 6 Drawing Sheets**

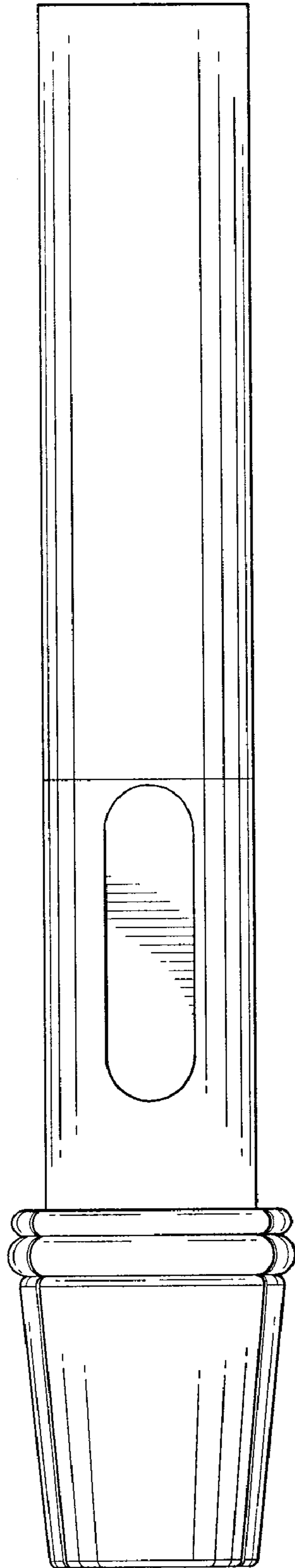




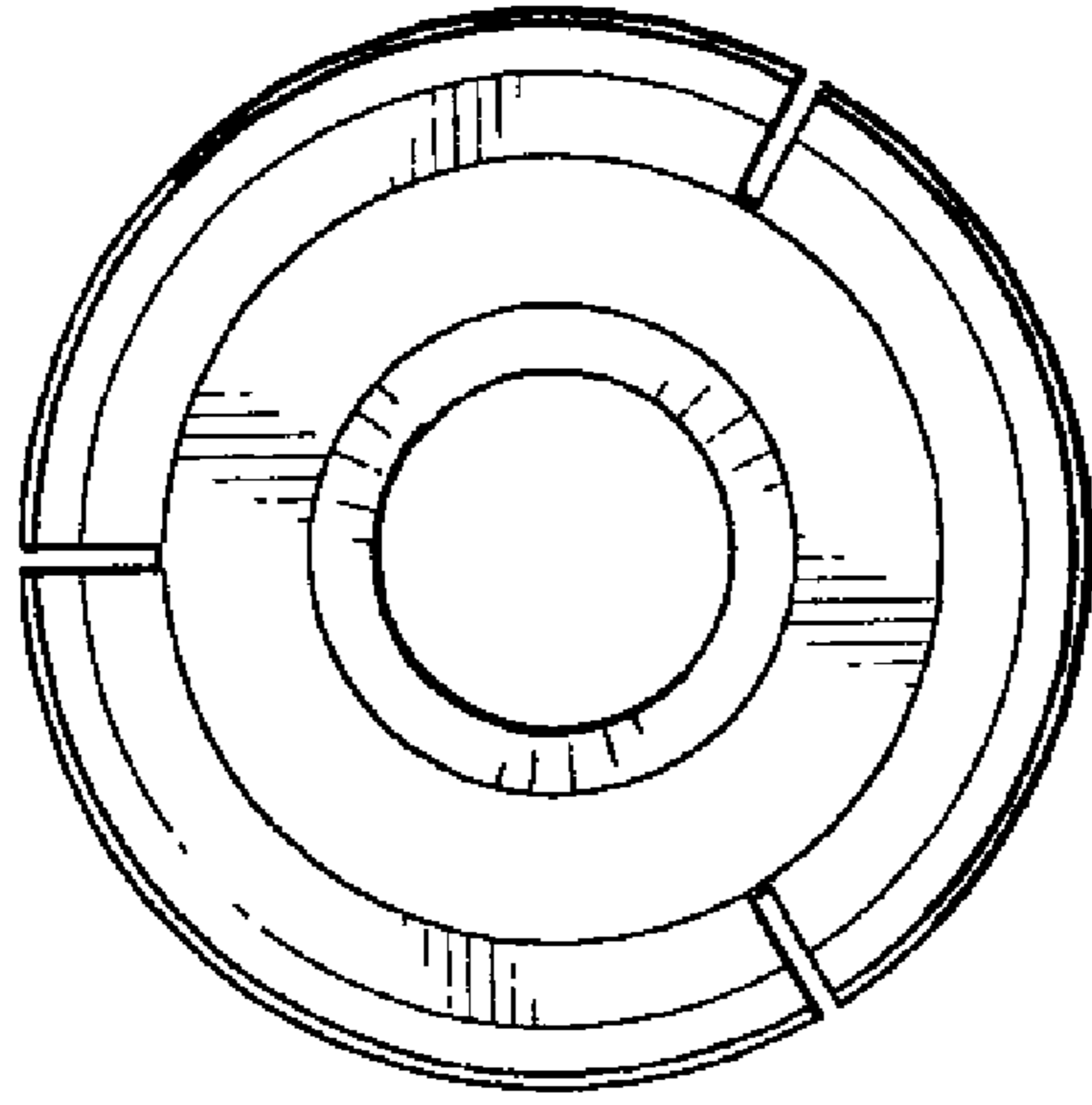
**Fig. 1**



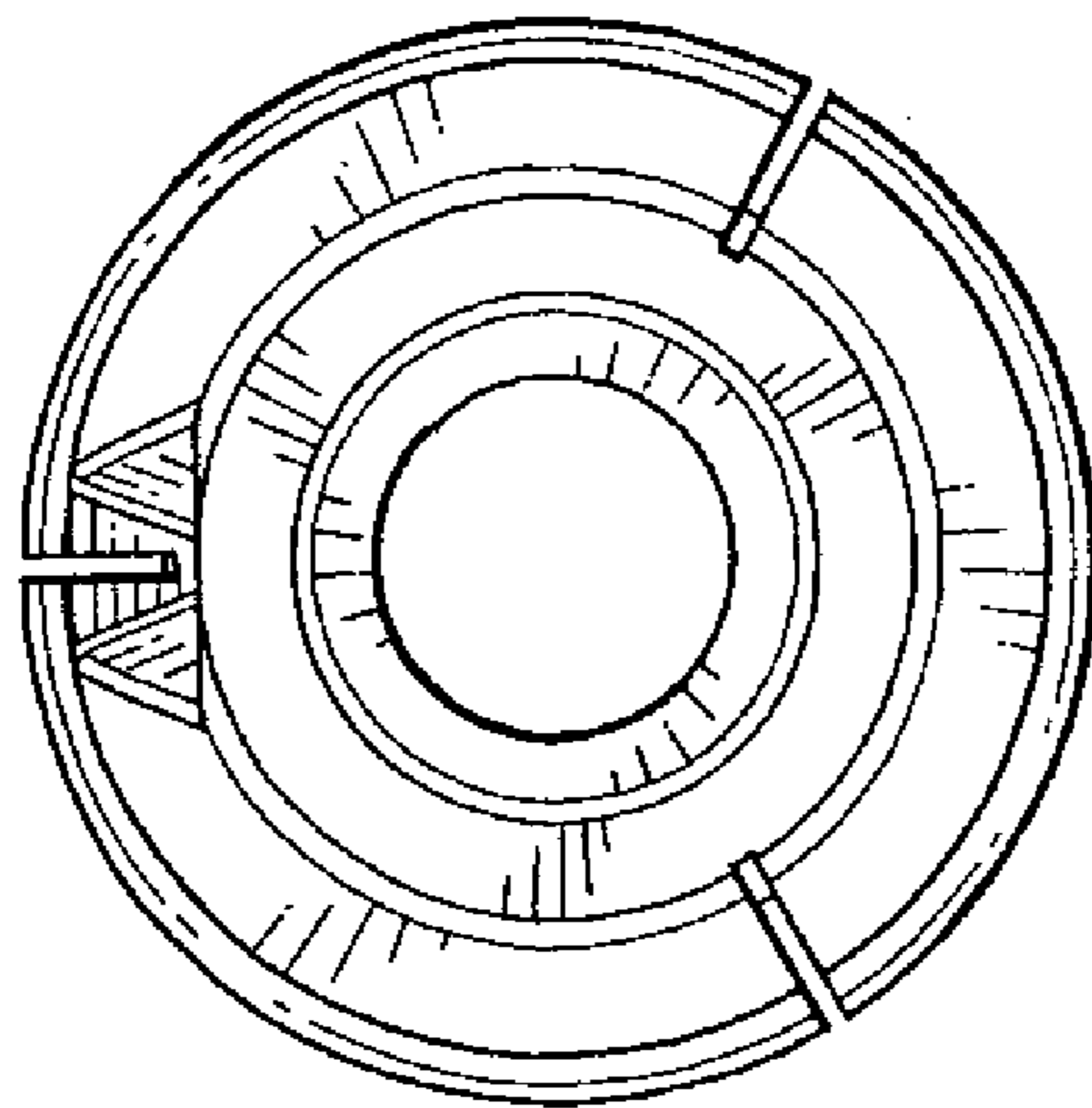
**Fig. 2**



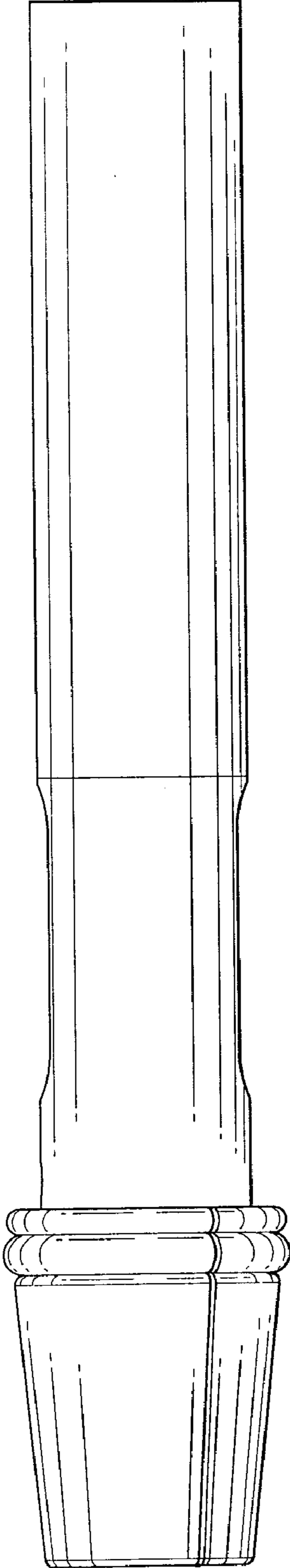
**Fig. 3**



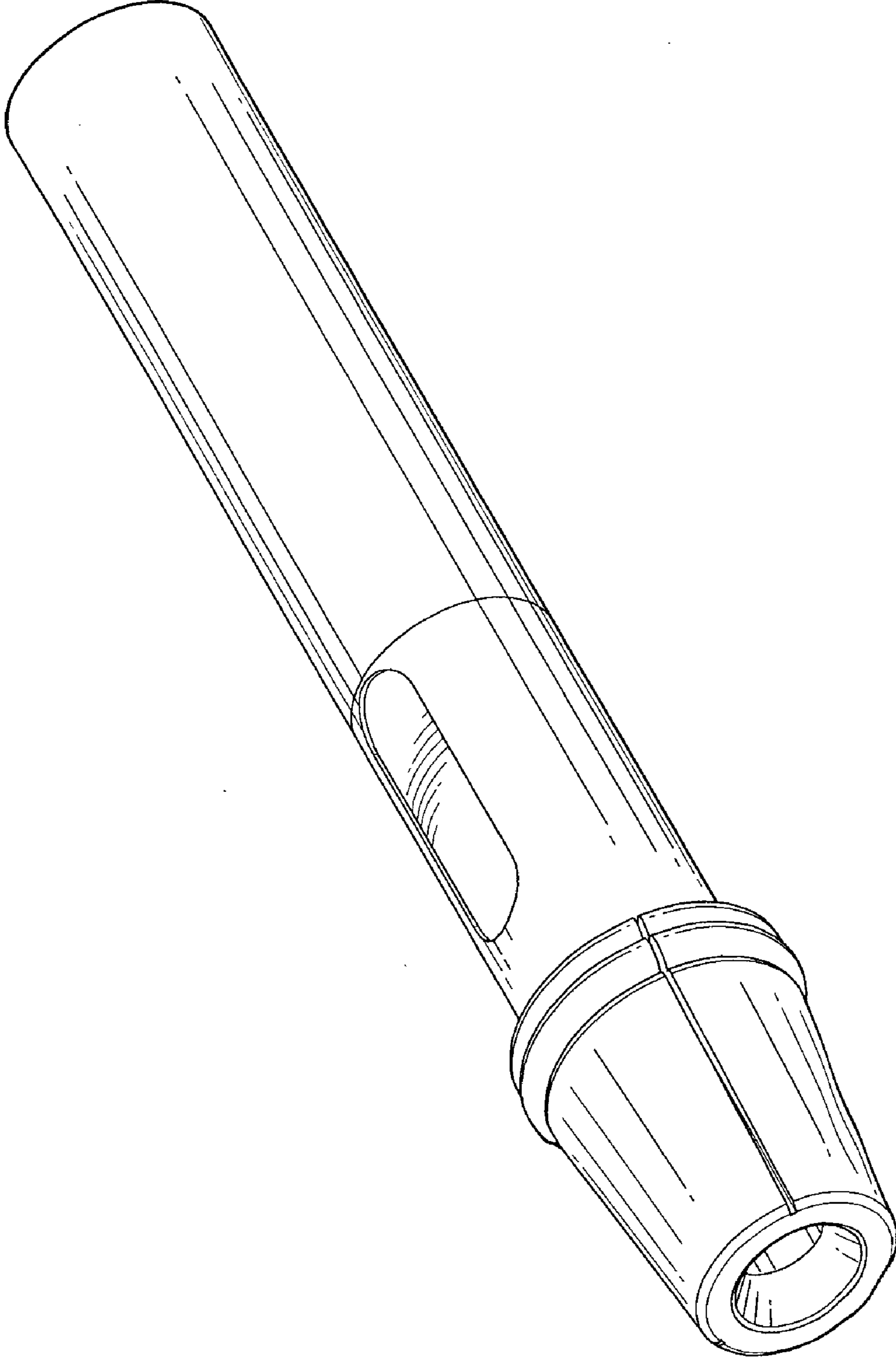
**Fig. 5**



**Fig. 4**



**Fig. 6**



**Fig. 7**