



US00D644713S

(12) **United States Design Patent**  
**Walton et al.**

(10) **Patent No.:** **US D644,713 S**  
(45) **Date of Patent:** **\*\* Sep. 6, 2011**

(54) **FILTER**

(76) Inventors: **Frank A. Walton**, Ft. Worth, TX (US);  
**Jay A. Rasmussen**, Richardson, TX  
(US)

(\*\*) Term: **14 Years**

(21) Appl. No.: **29/354,264**

(22) Filed: **Jan. 21, 2010**

(51) **LOC (9) Cl.** ..... **23-01**

(52) **U.S. Cl.** ..... **D23/209**

(58) **Field of Classification Search** ..... D23/207,  
D23/209; 210/167.1, 167.15, 250, 263, 264,  
210/282, 416.2, 446, 459, 460, 464

See application file for complete search history.

(56) **References Cited**

U.S. PATENT DOCUMENTS

D374,912 S *	10/1996	Engelander	.....	D23/209
D477,050 S *	7/2003	Goodwin	.....	D23/209
D547,824 S *	7/2007	Brown	.....	D23/209
D581,011 S *	11/2008	Pace	.....	D23/209

D582,002 S *	12/2008	Suthmann	.....	D23/209
D591,825 S *	5/2009	Quintel	.....	D23/209
D618,761 S *	6/2010	Reid et al.	.....	D23/209

\* cited by examiner

*Primary Examiner* — Cathron C. Brooks

*Assistant Examiner* — Maurice Stevens

(74) *Attorney, Agent, or Firm* — James M. Duncan, Esq.;  
Klein, DeNatale, et al.

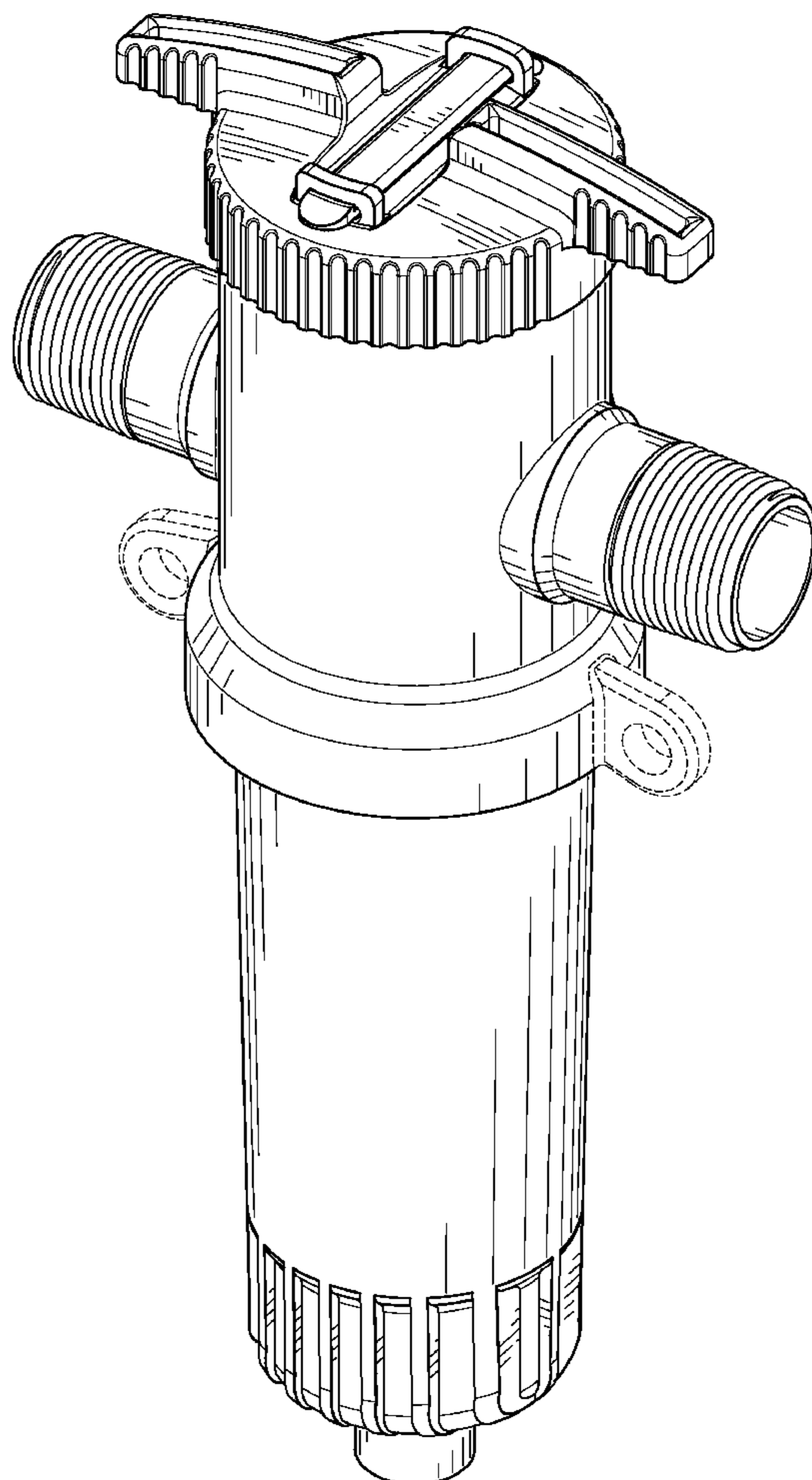
(57) **CLAIM**

The ornamental design for a filter, as shown and described.

**DESCRIPTION**

FIG. 1 is a front perspective view of the filter;  
FIG. 2 is a front elevation view of the filter;  
FIG. 3 is a left elevation view of the filter;  
FIG. 4 is a right elevation view of the filter;  
FIG. 5 is a rear elevation view of the filter;  
FIG. 6 is a top plan view of the filter; and,  
FIG. 7 is a bottom plan view of the filter.  
The broken line in FIGS. 1-5 and 7 is for illustrate purposes  
only and forms no part of the claimed design.

**1 Claim, 5 Drawing Sheets**



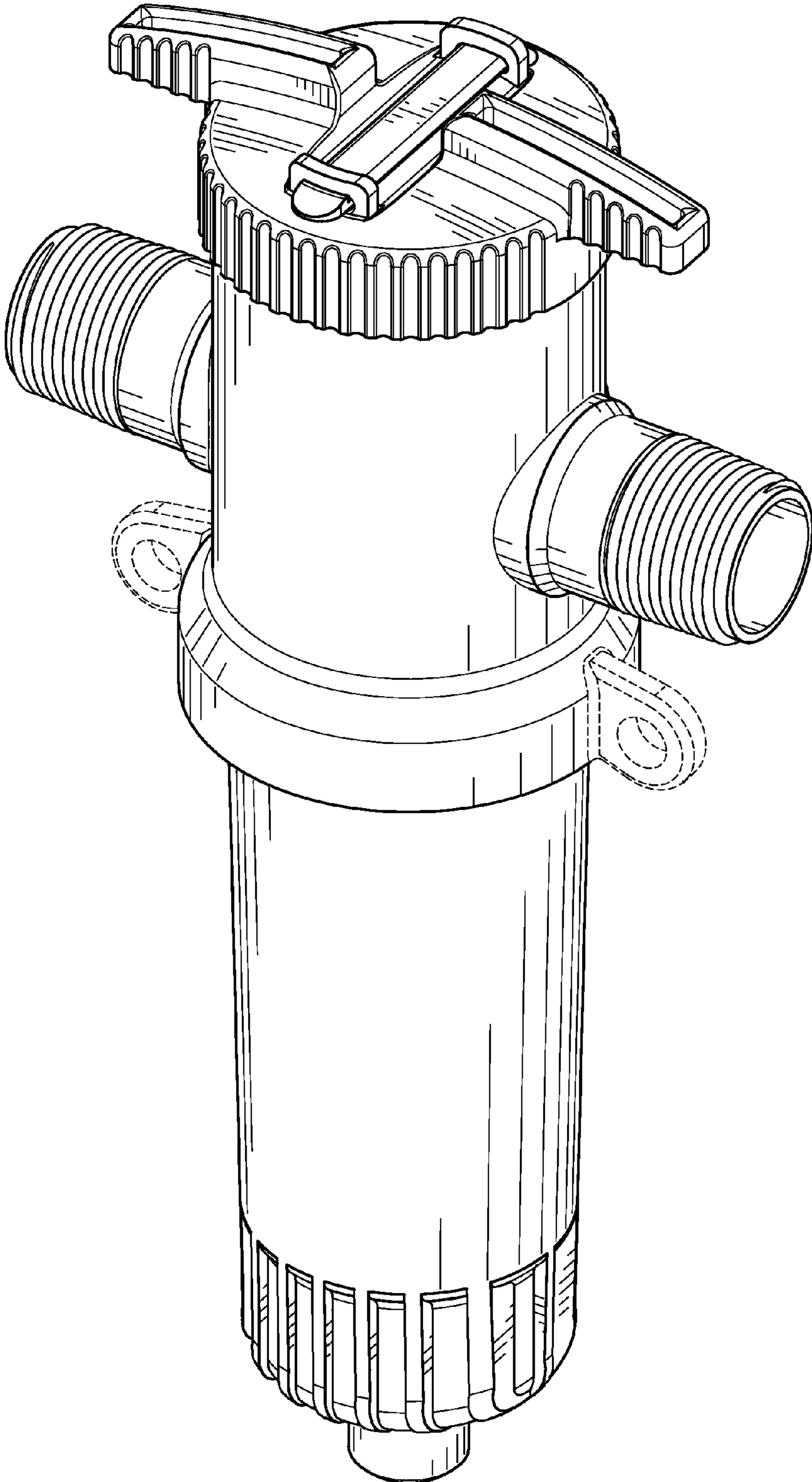


FIG. 1

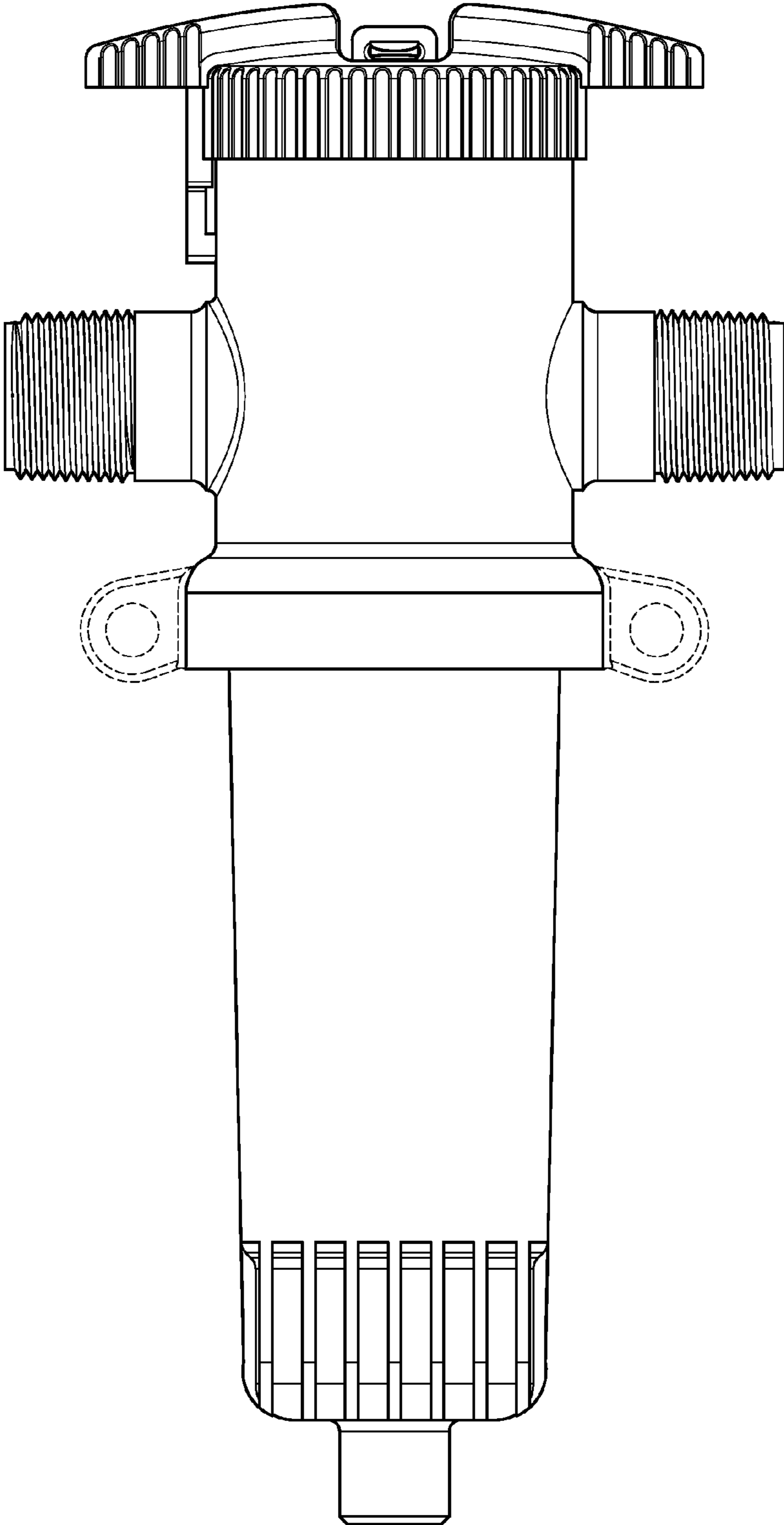
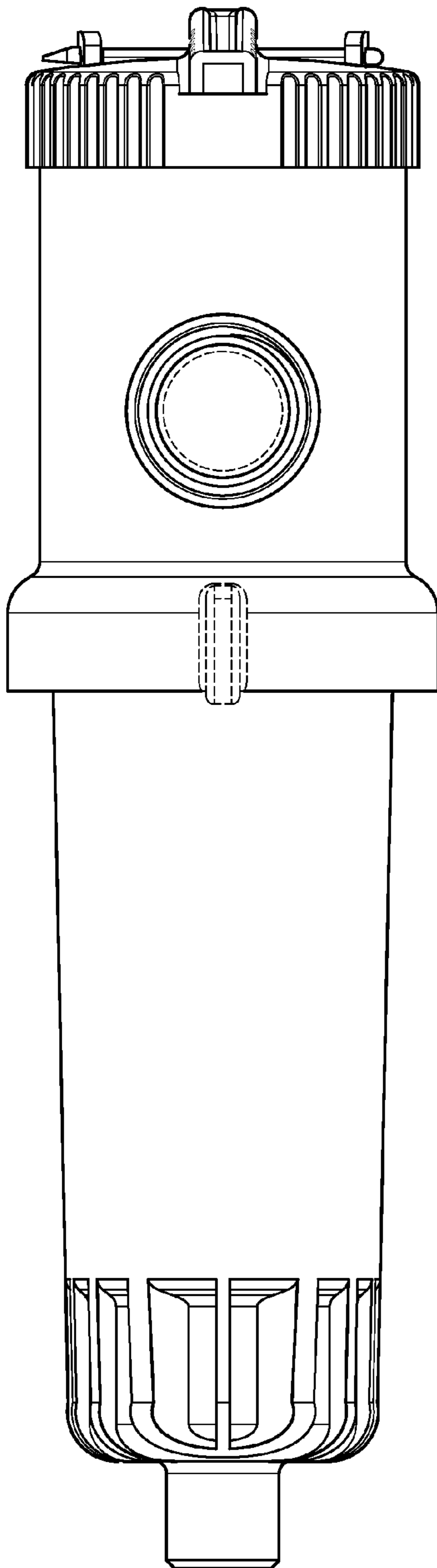
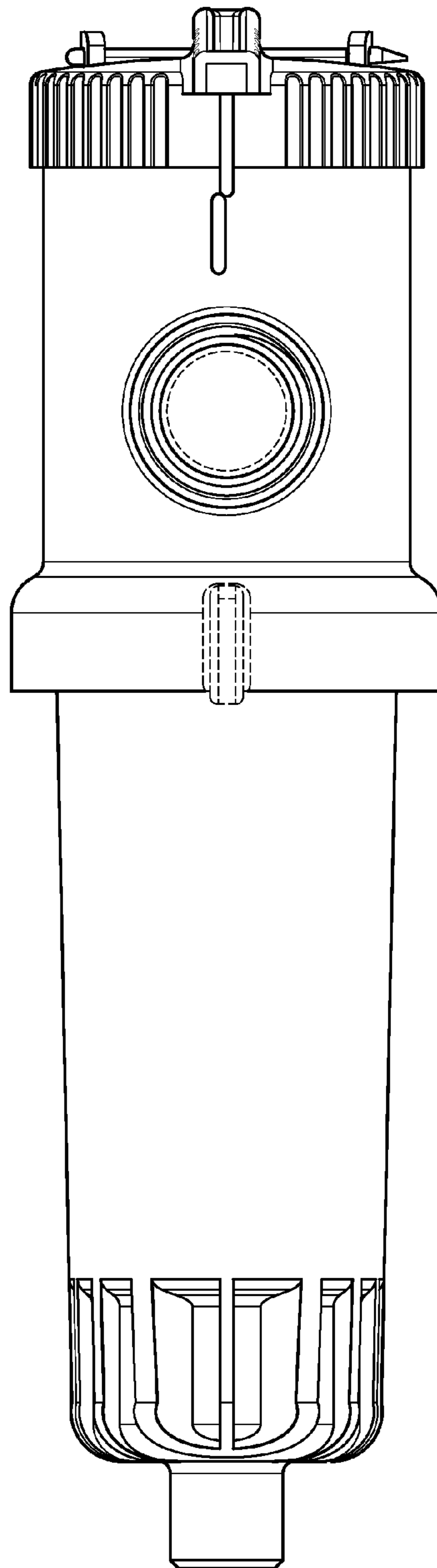


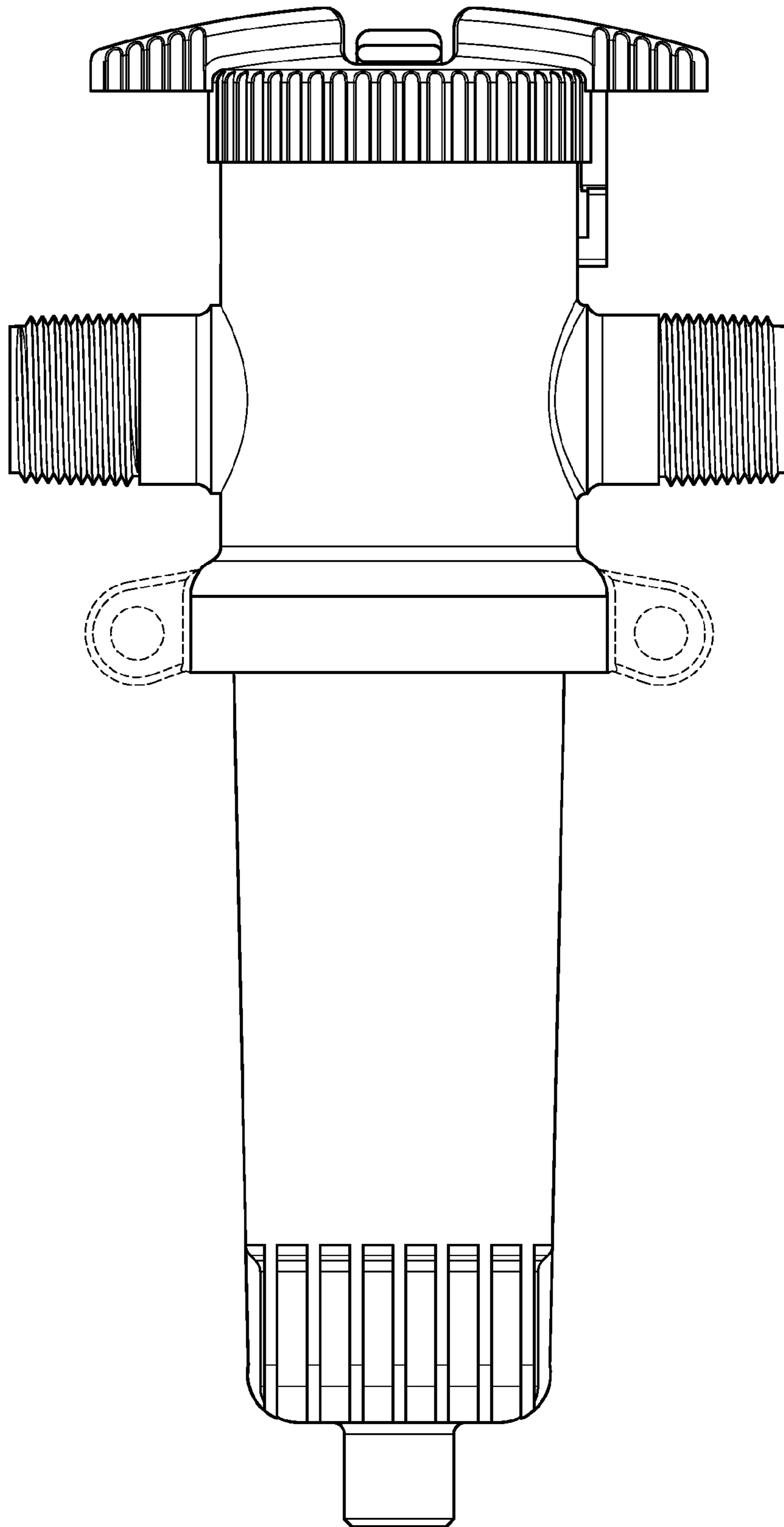
FIG. 2



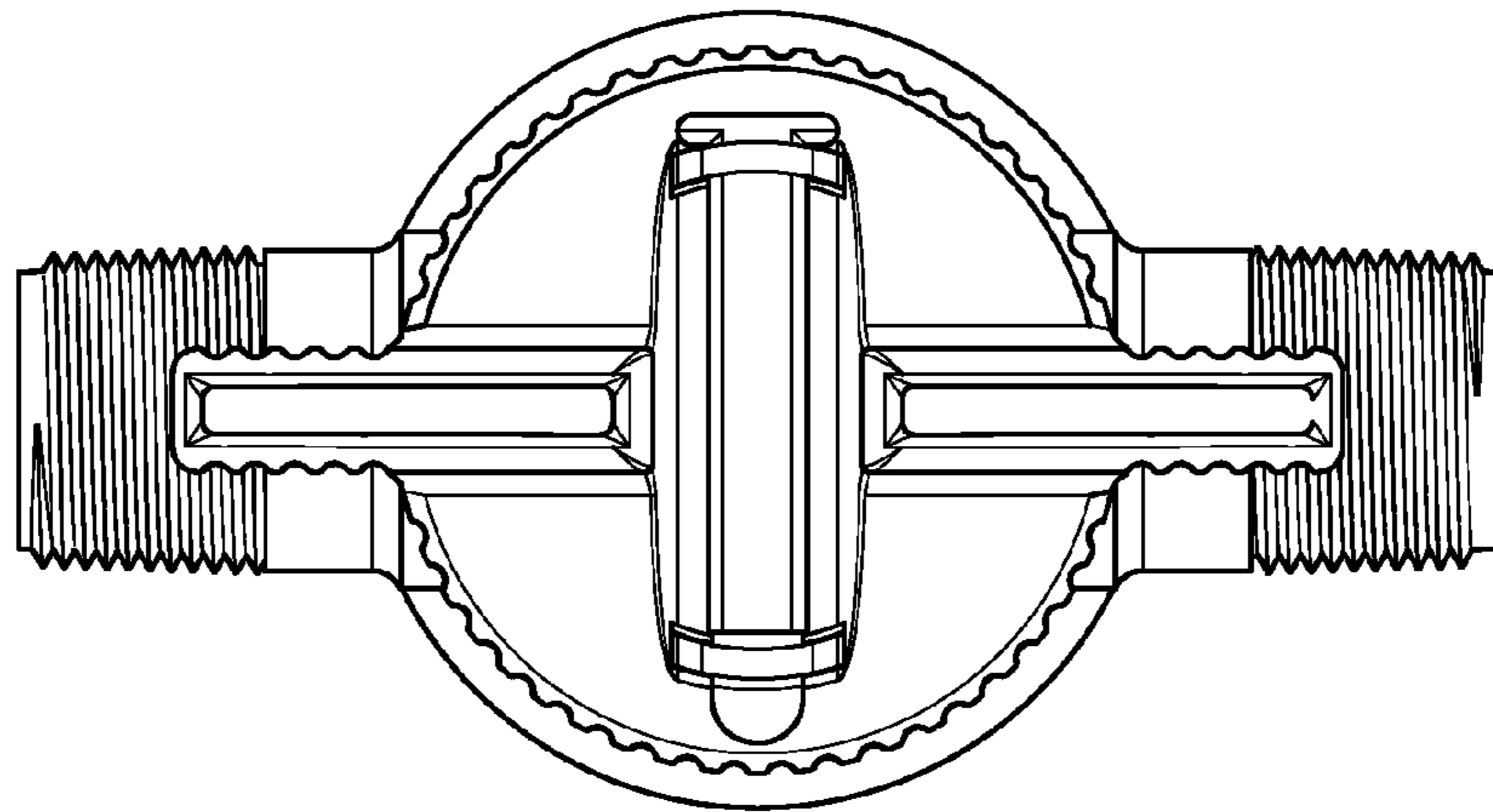
*FIG. 3*



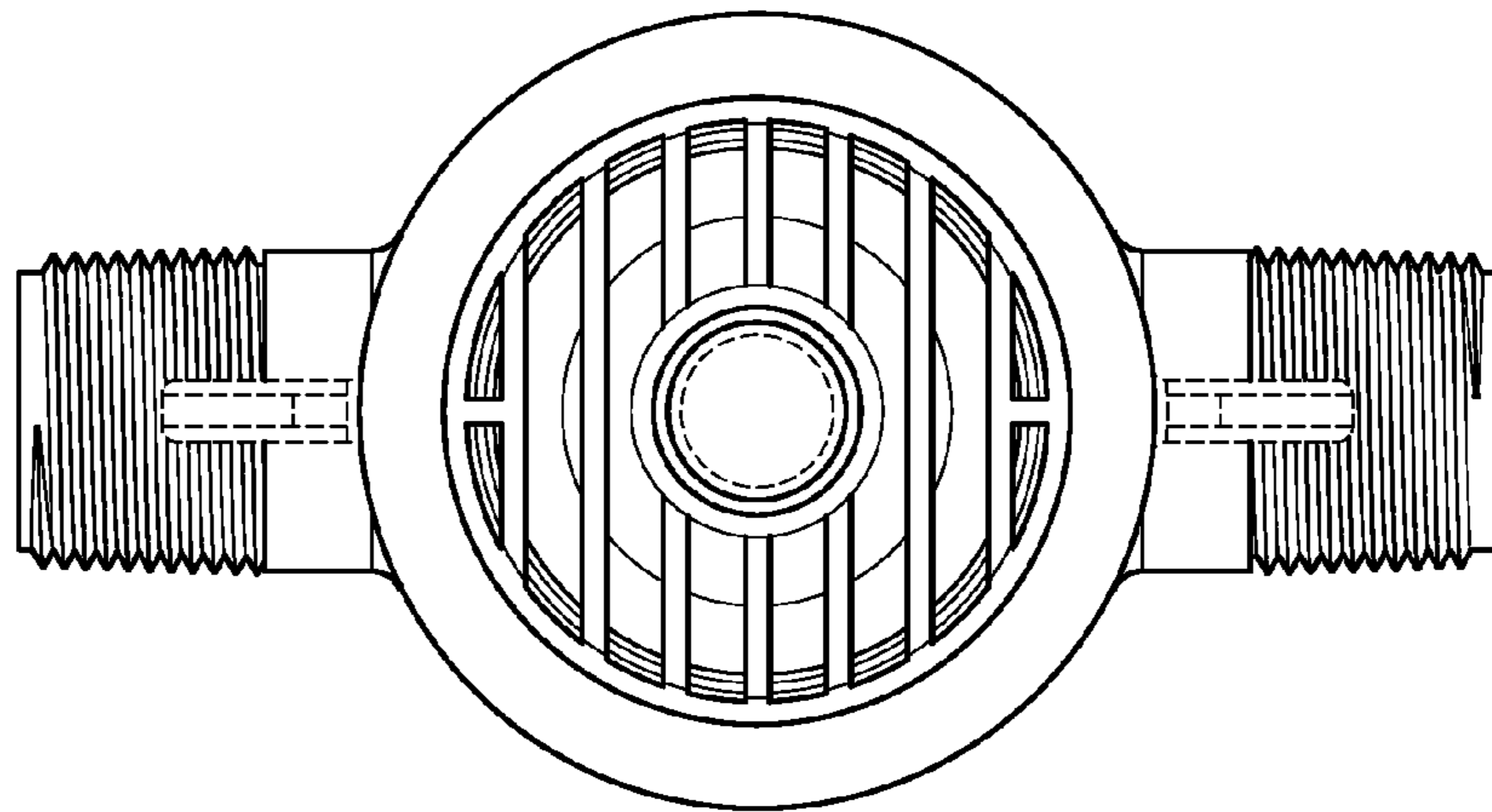
*FIG. 4*



*FIG. 5*



*FIG. 6*



*FIG. 7*