

US00D644706S

(12) **United States Design Patent**
Trusty

(10) **Patent No.:** **US D644,706 S**

(45) **Date of Patent:** **** Sep. 6, 2011**

(54) **LOW PROFILE MOUNT FOR A FIREARM**

(74) *Attorney, Agent, or Firm* — Carlson Gaskey & Olds PC

(76) Inventor: **Jason G. Trusty**, Portage, IN (US)

(**) Term: **14 Years**

(57) **CLAIM**

I claim the ornamental design for the low profile mount for a firearm, as shown and described.

(21) Appl. No.: **29/355,382**

(22) Filed: **Feb. 5, 2010**

DESCRIPTION

(51) **LOC (9) Cl.** **22-01**

(52) **U.S. Cl.** **D22/108**

(58) **Field of Classification Search** D22/100,
D22/101, 103, 104, 108, 199; D21/572,
D21/573; 42/51, 71.01, 75.01, 75.02, 90,
42/94, 134, 136, 139, 125, 72, 111; 362/110;
89/40.06, 41.19, 37.04, 33.04, 191.01, 200–204;
124/67, 66, 72, 74

See application file for complete search history.

FIG. 1 is a perspective view of a low profile mount for a firearm;

FIG. 2 is a first perspective view of a low profile mount for a firearm;

FIG. 3 is another perspective view of a low profile mount for a firearm;

FIG. 4 is a top view of a low profile mount for a firearm;

FIG. 5 is a first side view of a low profile mount for a firearm;

FIG. 6 is a second side view of a low profile mount for a firearm;

FIG. 7 is a first end view of a low profile mount for a firearm;

FIG. 8 is a second end view of a low profile mount for a firearm; and,

FIG. 9 is a bottom view of a low profile mount for a firearm.

The broken line showing portions of the low profile mount for a firearm is included for the purpose of illustrating environment and forms no part of the claimed design.

(56) **References Cited**

U.S. PATENT DOCUMENTS

4,733,489	A *	3/1988	Kurak	42/77
6,725,594	B2 *	4/2004	Hines	42/90
D508,726	S *	8/2005	Storch	D22/108
D625,378	S *	10/2010	Fitzpatrick et al.	D22/108

* cited by examiner

Primary Examiner — T. Chase Nelson

Assistant Examiner — Michael Pratt

1 Claim, 2 Drawing Sheets

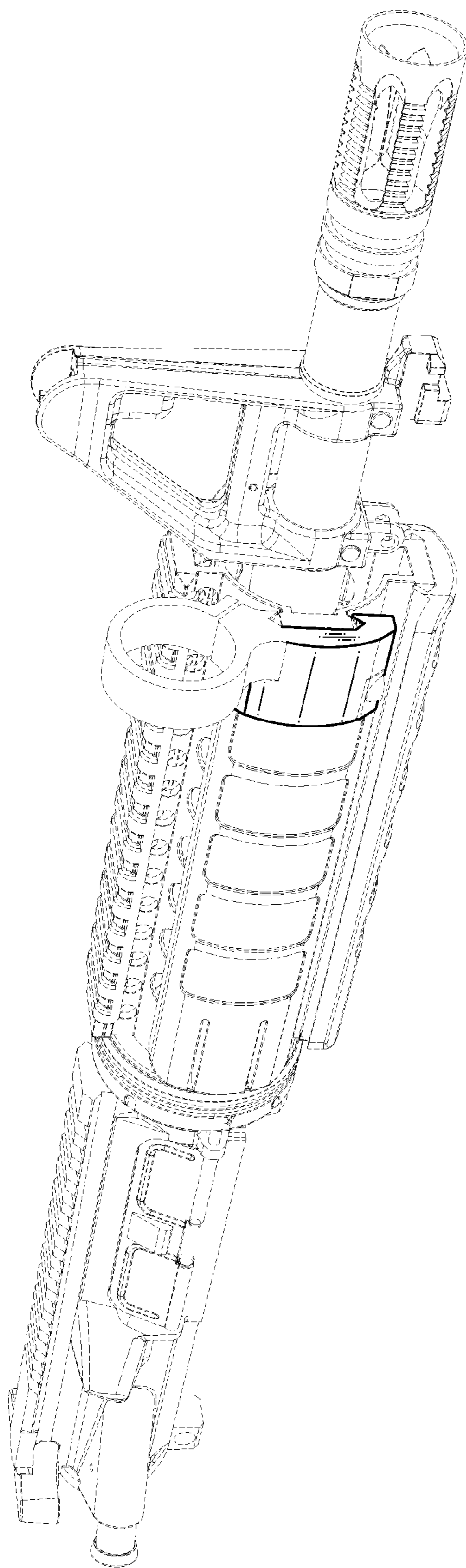


FIG. 1

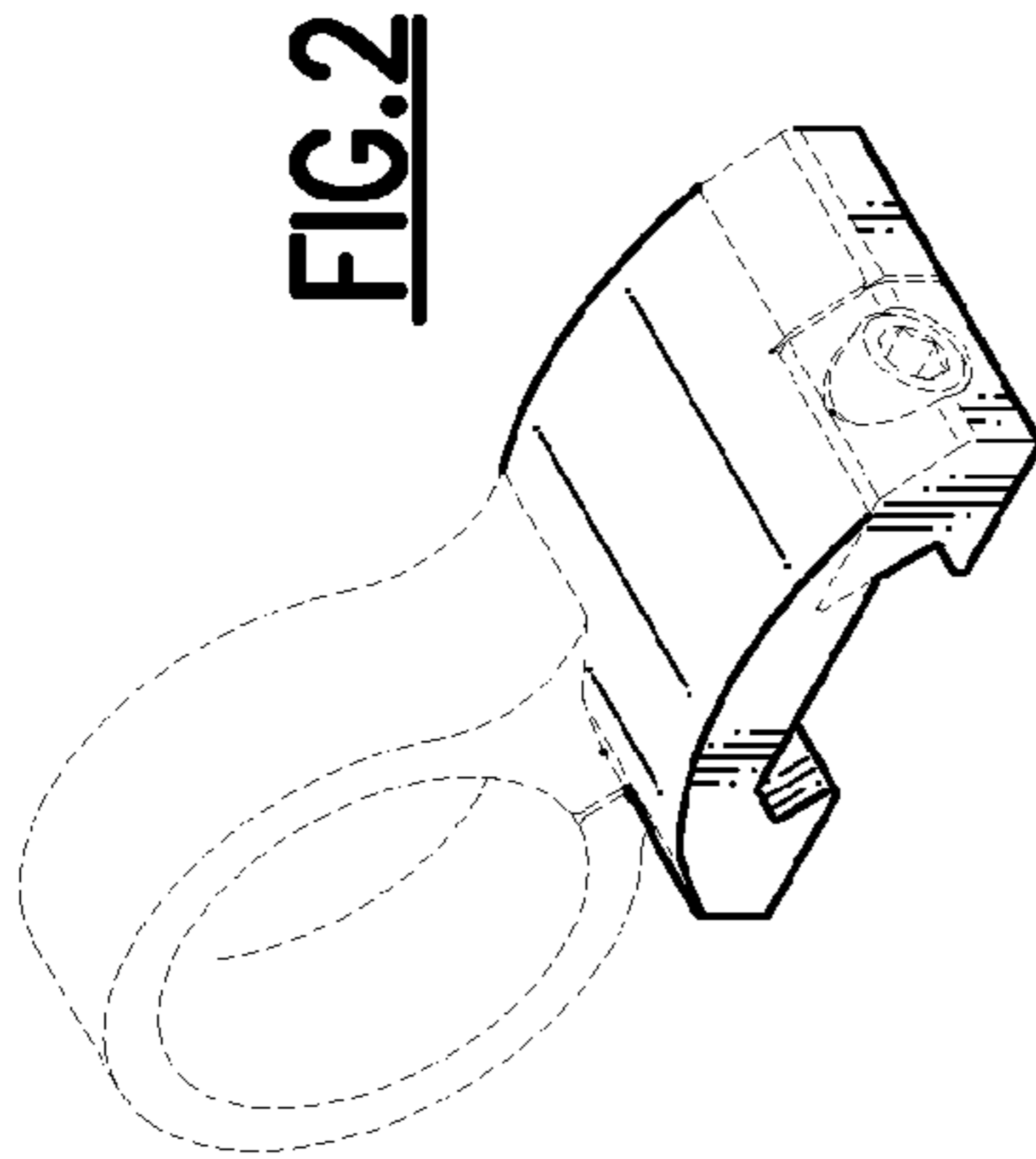


FIG. 2

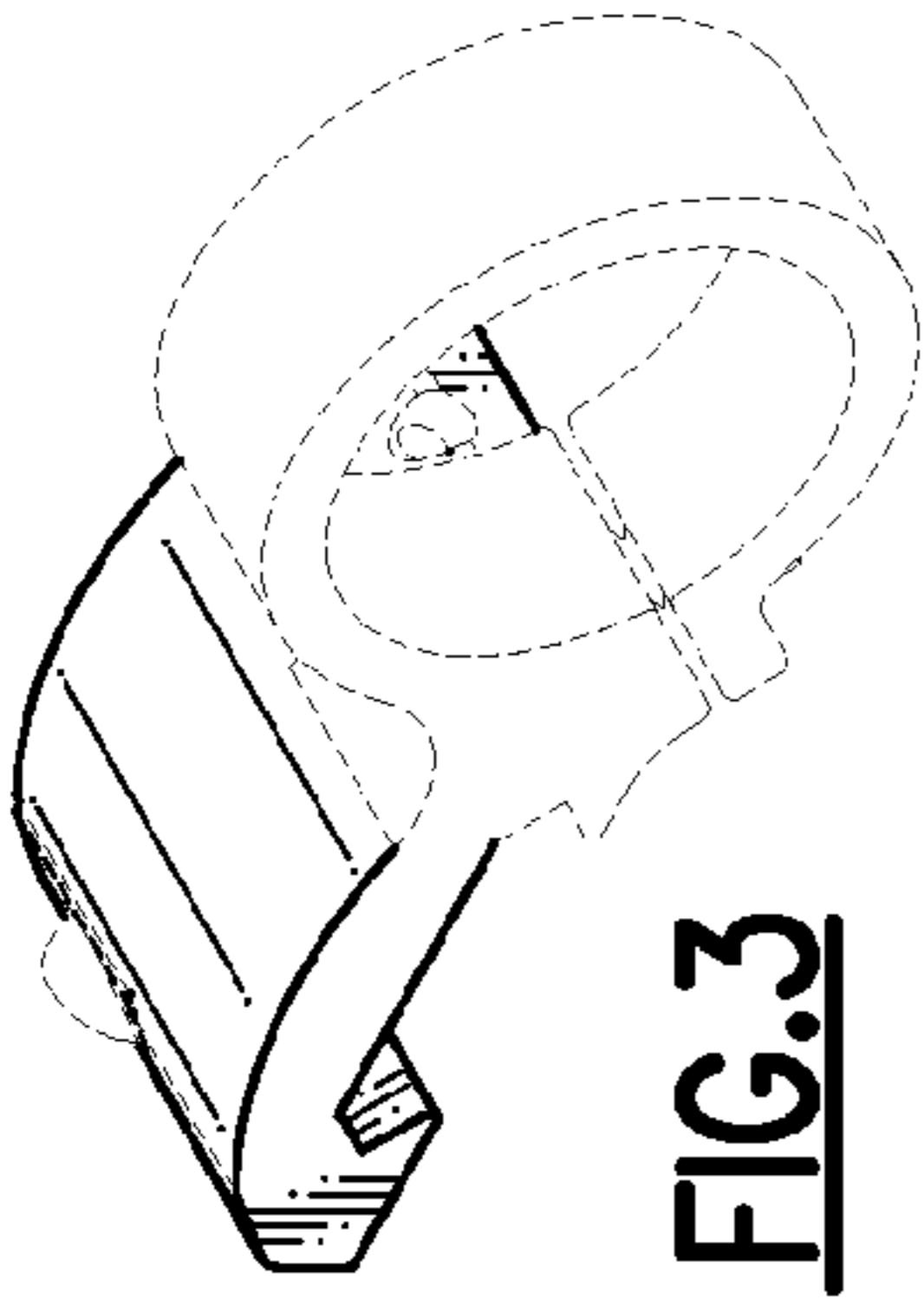


FIG. 3

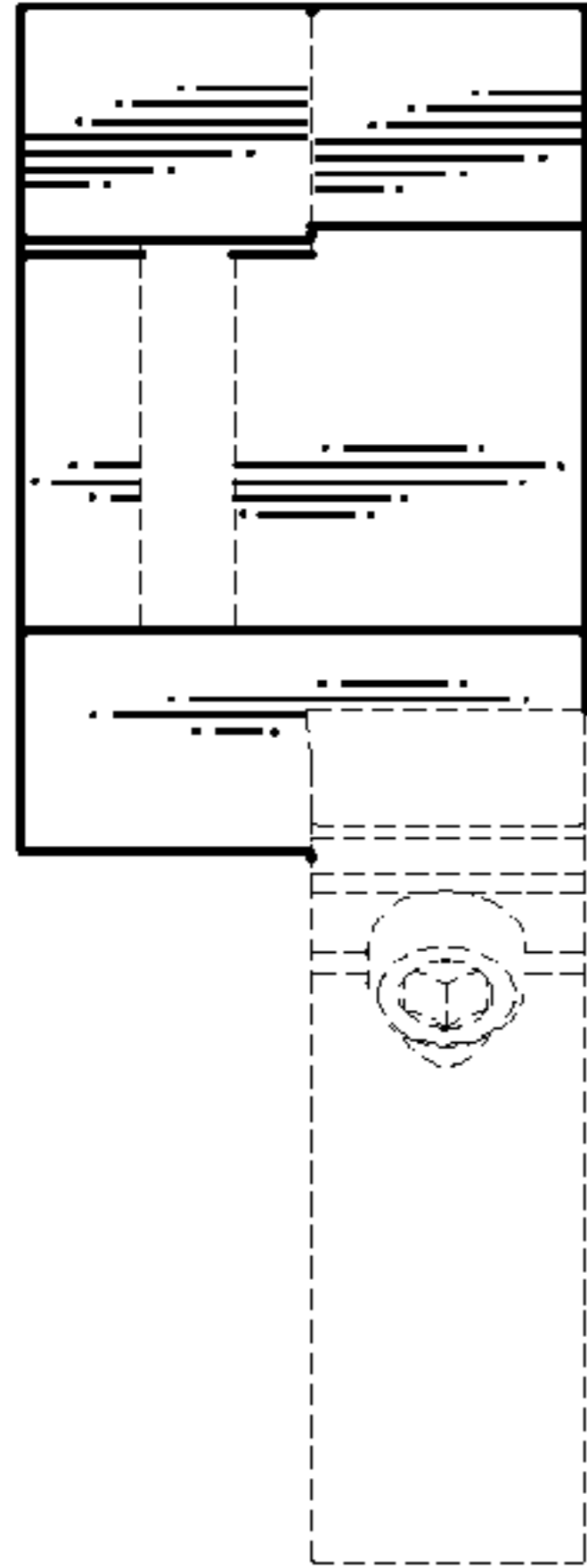


FIG. 9

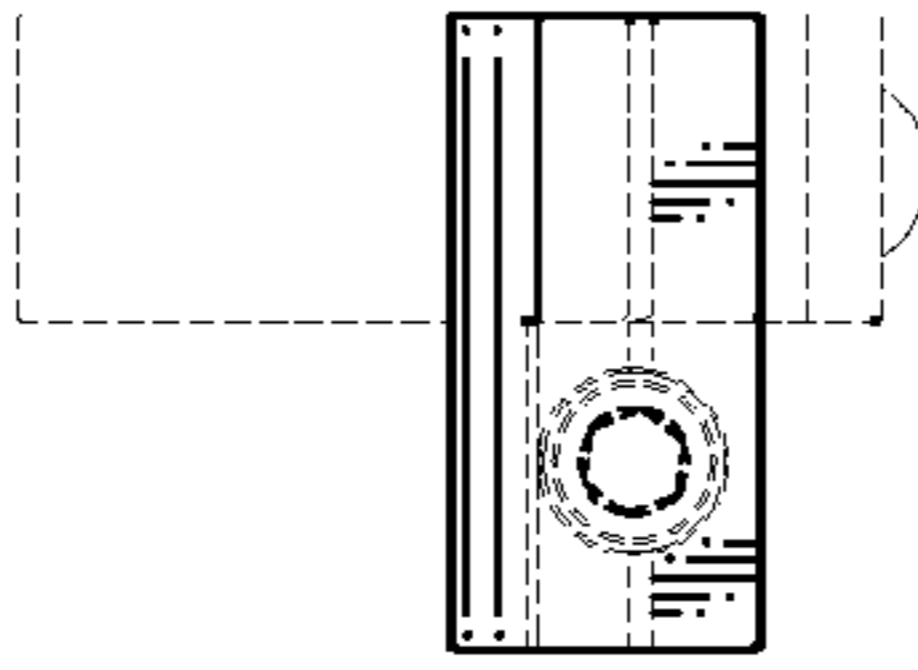


FIG. 5

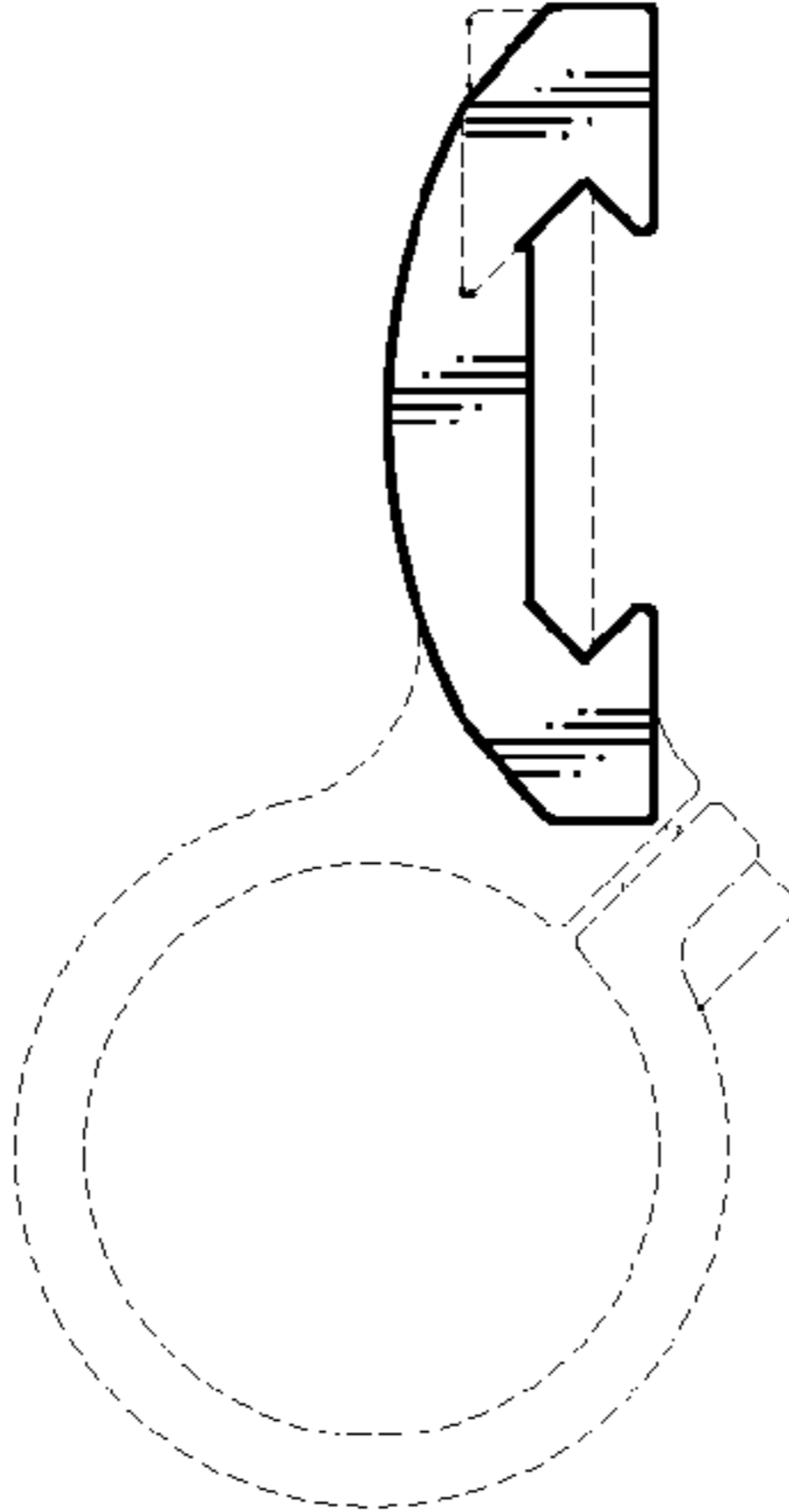


FIG. 7

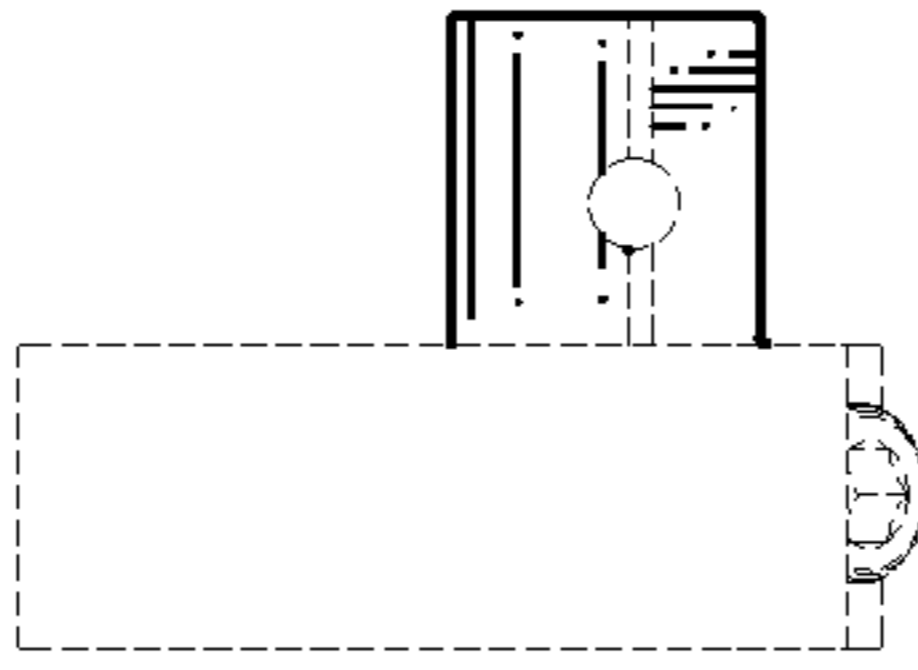


FIG. 6

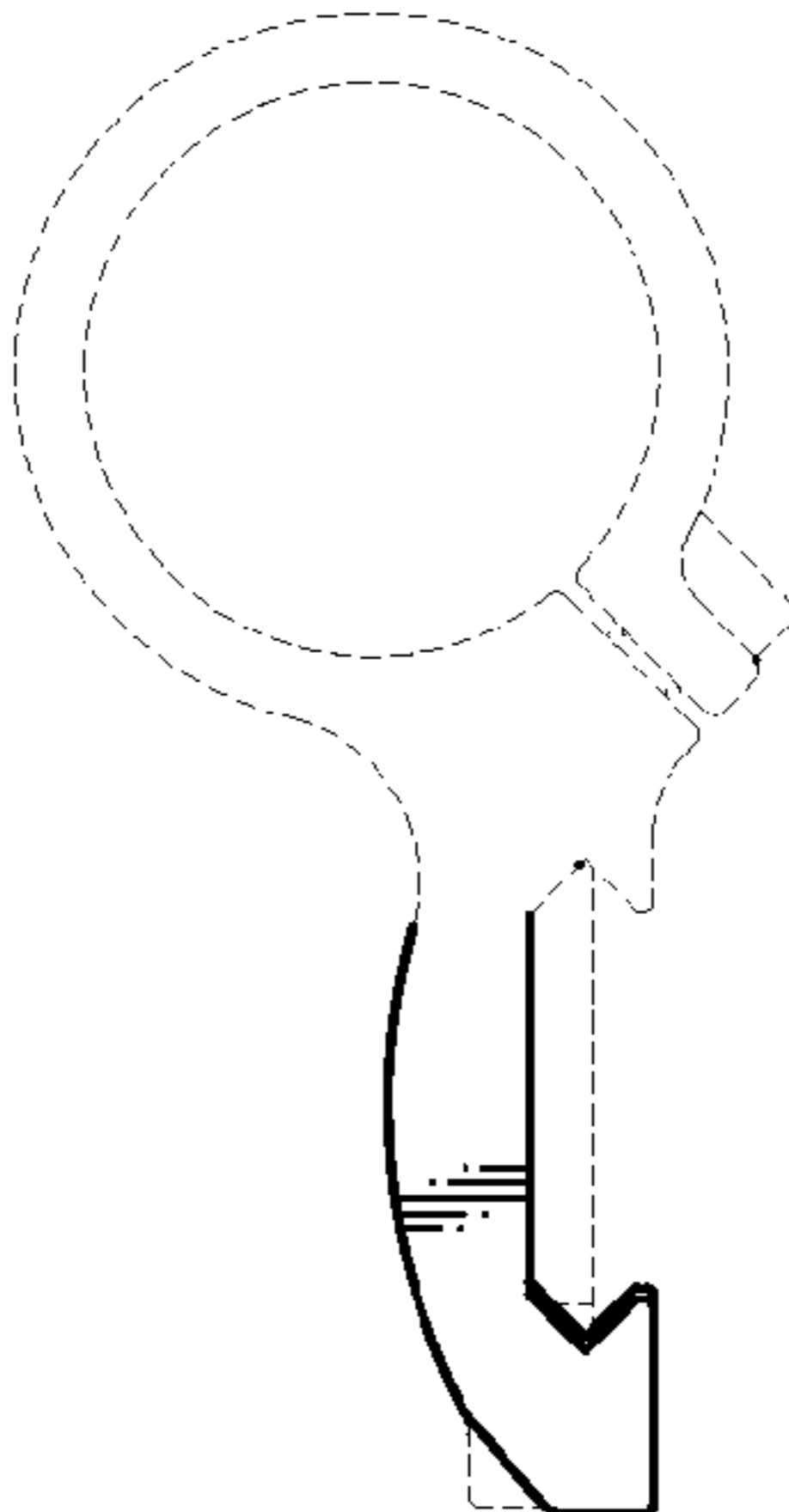


FIG. 8

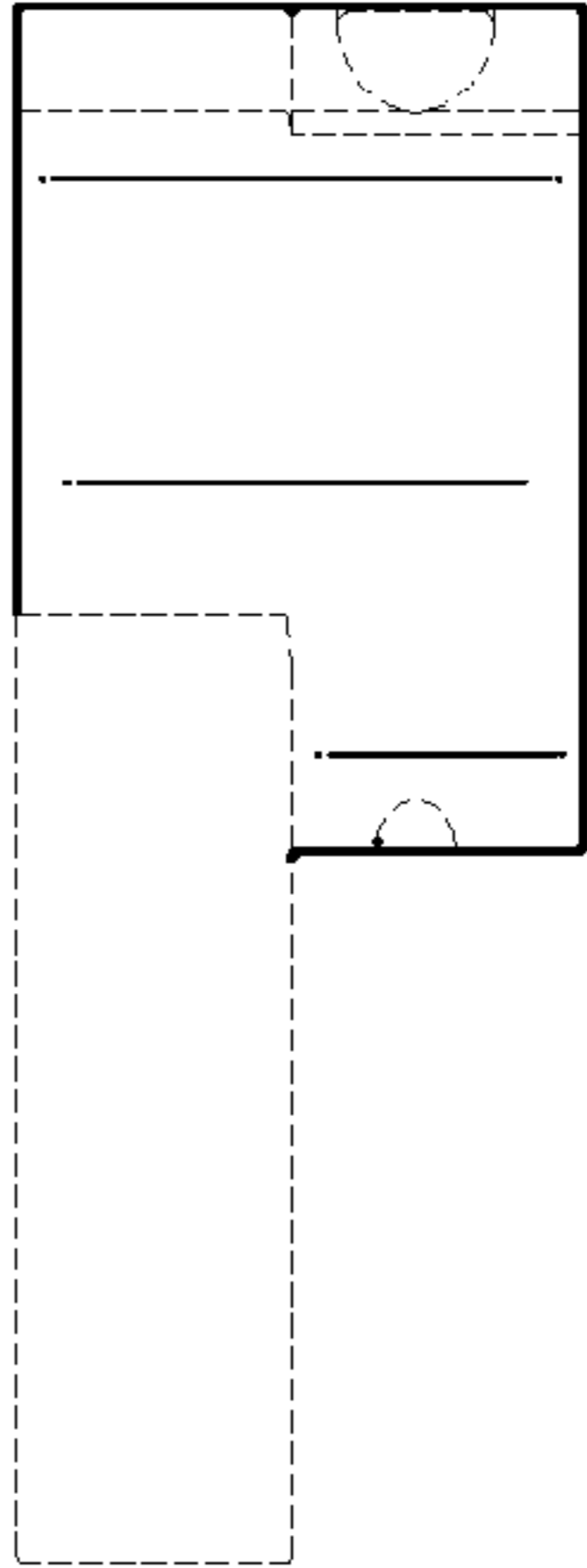


FIG. 4