



US00D644705S

(12) **United States Design Patent**  
**Bolf**

(10) **Patent No.:** **US D644,705 S**

(45) **Date of Patent:** **\*\* Sep. 6, 2011**

(54) **BOW SLING**

(76) Inventor: **Robert G. Bolf**, Medford, OR (US)

(\*\*) Term: **14 Years**

(21) Appl. No.: **29/356,384**

(22) Filed: **Feb. 24, 2010**

(51) **LOC (9) Cl.** ..... **22-01**

(52) **U.S. Cl.** ..... **D22/107**

(58) **Field of Classification Search** ..... D22/107,  
D22/108; D29/101.1–101.2; D3/214, 215,  
D3/221, 262, 327–328; 42/85, 94; 224/149,  
224/150, 157–160, 190, 250, 257, 258, 575,  
224/586, 913

See application file for complete search history.

(56) **References Cited**

**U.S. PATENT DOCUMENTS**

D298,366	S	*	11/1988	Zimmerman	.....	D29/101.1
5,165,584	A	*	11/1992	Meagher et al.	.....	224/258
D378,954	S	*	4/1997	Daigle	.....	D3/262
6,520,390	B2	*	2/2003	Verdugo et al.	.....	224/150
D490,938	S	*	6/2004	Wydner	.....	D29/101.1
7,770,768	B1	*	8/2010	Primos	.....	224/609
2004/0159687	A1	*	8/2004	Eliason	.....	224/150
2004/0178236	A1	*	9/2004	Kakouras	.....	224/150

2008/0217371 A1\* 9/2008 Wemmer ..... 224/579

\* cited by examiner

*Primary Examiner* — T. Chase Nelson

*Assistant Examiner* — Michael A Pratt

(74) *Attorney, Agent, or Firm* — Jerry Haynes Law

(57) **CLAIM**

The ornamental design for a bow sling, as shown and described.

**DESCRIPTION**

FIG. 1 is a top perspective view of a bow sling showing my new design;

FIG. 2 is a top view thereof;

FIG. 3 is a bottom view thereof;

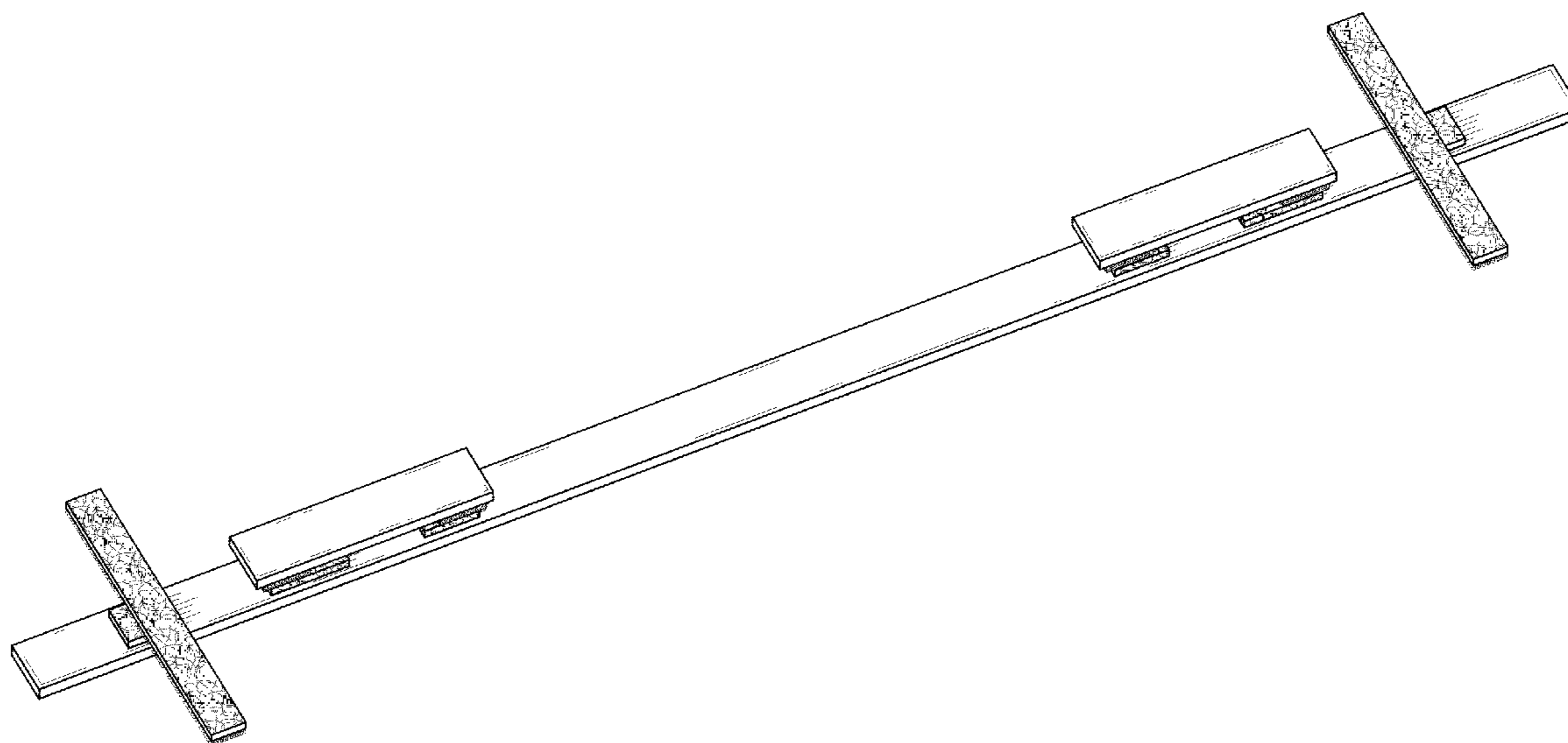
FIG. 4 is a left side view thereof, the right side view being a mirror image of the left side view thereof;

FIG. 5 is a front view thereof, the rear view being a mirror image of the front view thereof; and,

FIG. 6 is a perspective view thereof of the bow sling in the context in which it is intended to be used.

The broken line showing of a bow frame is included for the purpose of illustrating environment and forms no part of the claimed design.

**1 Claim, 3 Drawing Sheets**



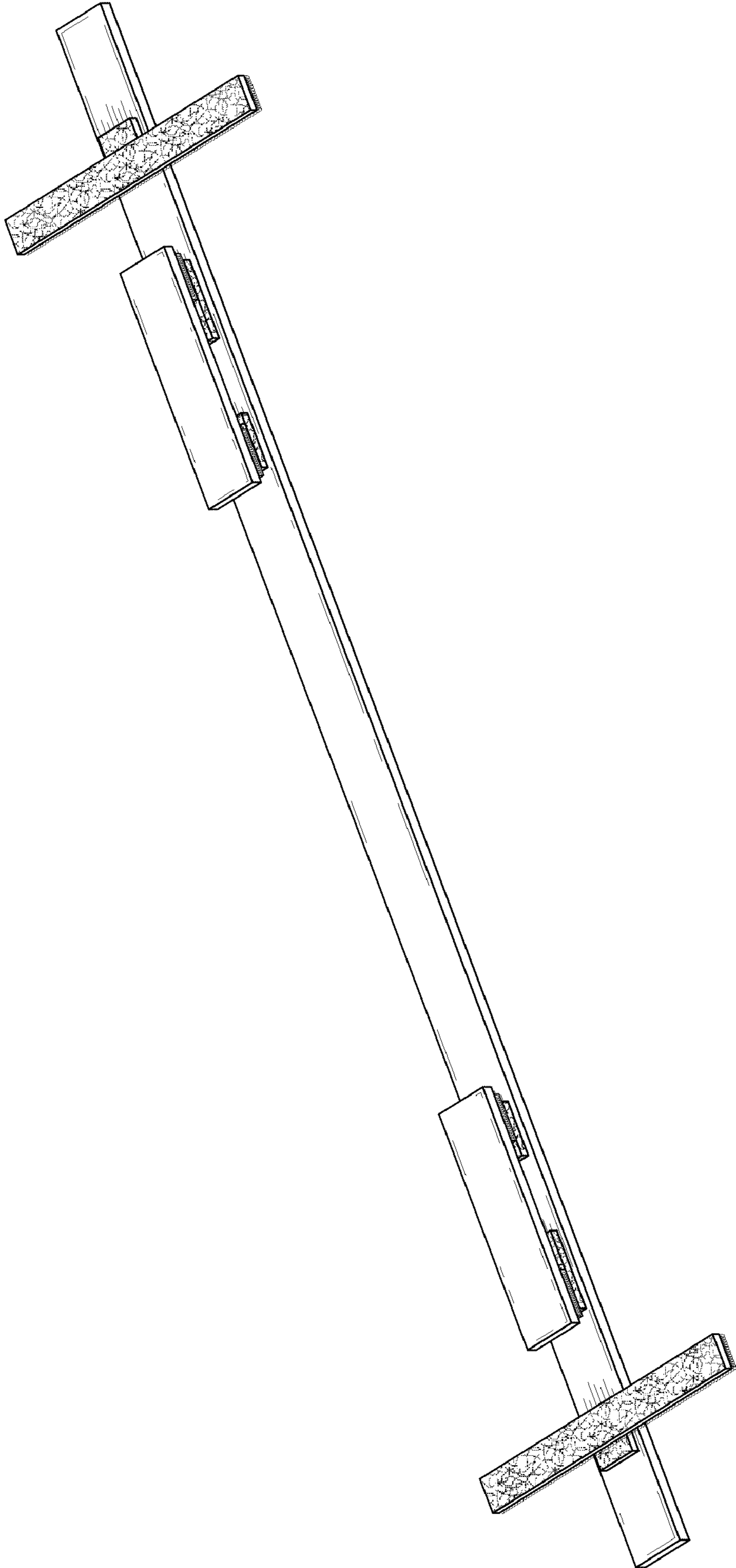


FIG. 1

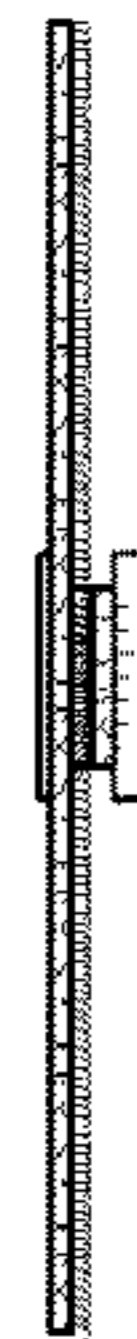
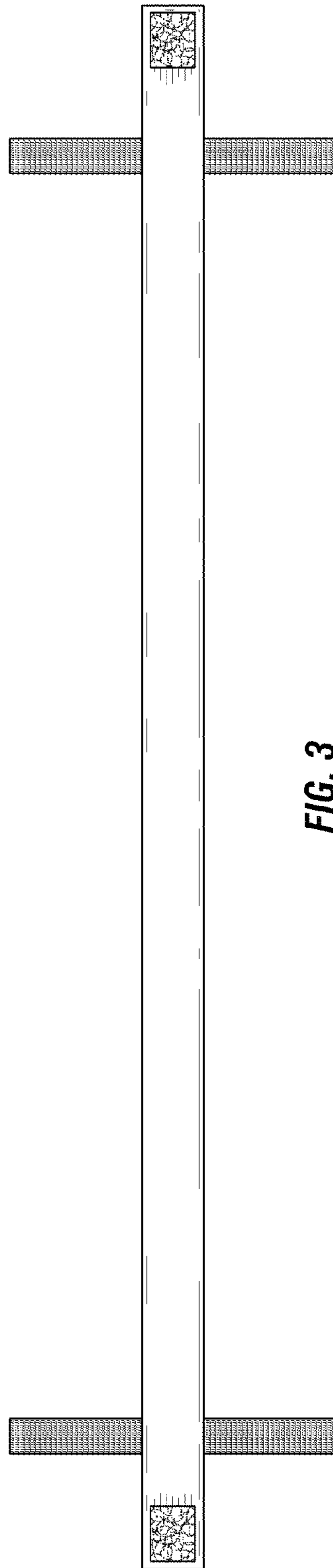
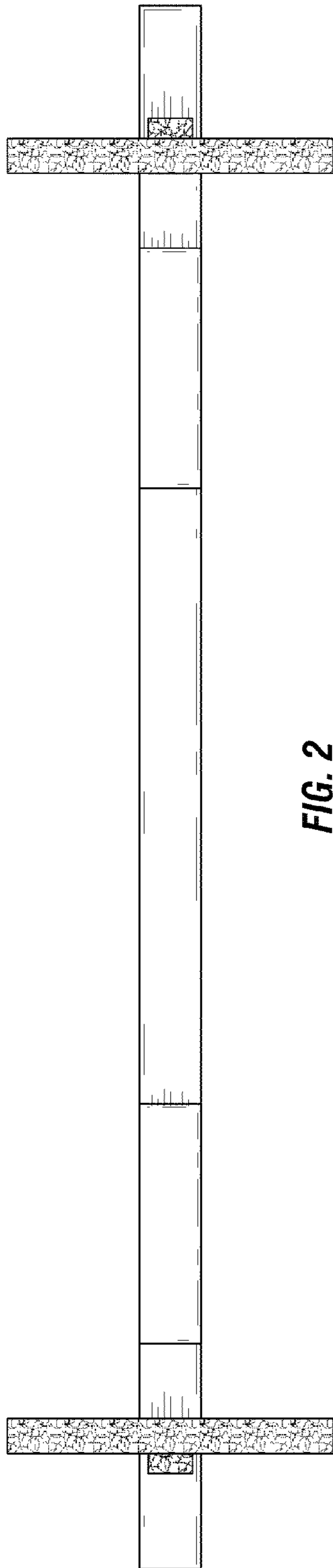


FIG. 4

FIG. 5

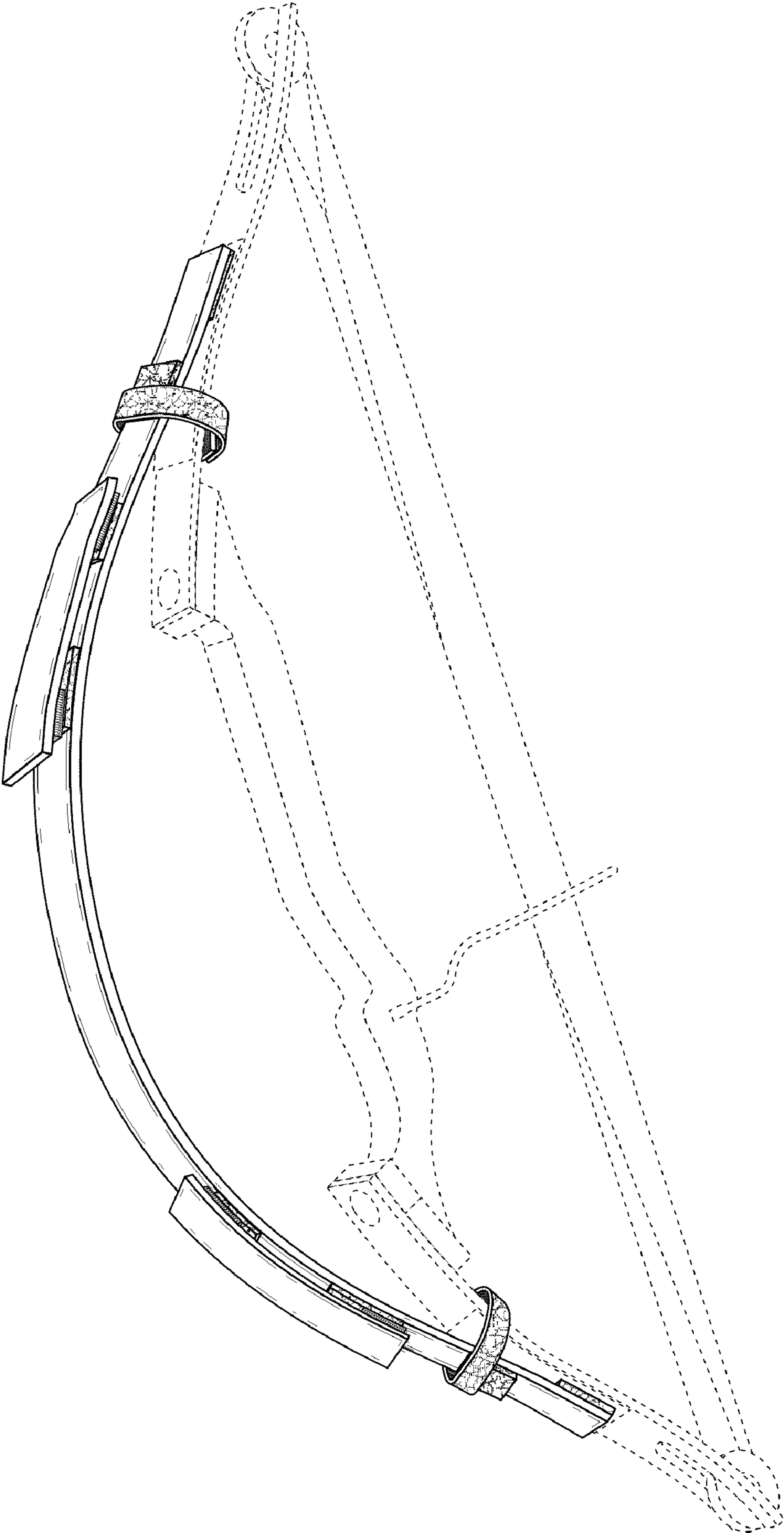


FIG. 6