



US00D644700S

(12) **United States Design Patent**
Kassel

(10) **Patent No.:** **US D644,700 S**

(45) **Date of Patent:** **** *Sep. 6, 2011**

(54) **EXERCISE AND FITNESS DEVICE WITH EXTENDED SLEEVE**

(75) Inventor: **Blake Kassel**, Boca Raton, FL (US)

(73) Assignee: **Bodylastics International, Inc**, Boca Raton, FL (US)

(*) Notice: This patent is subject to a terminal disclaimer.

(**) Term: **14 Years**

(21) Appl. No.: **29/370,900**

(22) Filed: **Sep. 21, 2010**

(51) **LOC (9) Cl.** **21-02**

(52) **U.S. Cl.** **D21/662**

(58) **Field of Classification Search** D21/662,
D21/672, 694; D8/333, 349, 356, 367; D2/624,
D2/627; D29/100, 101.1; 482/121-122,
482/126; 248/229.1, 339-340, 345, 694;
182/3, 5, 6; 24/3.4, 136 R, 298, 300-302,
24/599.1, 599.9, 601.5

See application file for complete search history.

(56) **References Cited**

U.S. PATENT DOCUMENTS

421,328	A *	2/1890	Strohbach	24/136 R
482,813	A *	9/1892	Schwarz	182/193
874,647	A *	12/1907	Wlatnigg	24/599.1
2,097,376	A *	10/1937	Marshman	482/124
2,246,630	A *	6/1941	Johnson	294/19.1
3,170,206	A *	2/1965	Triplett	24/298
3,877,679	A *	4/1975	Lowe	248/694
3,965,542	A *	6/1976	Gregory	24/136 R
D272,518	S *	2/1984	Smith	D8/382
D305,446	S *	1/1990	Valentine	D21/672
D310,017	S *	8/1990	Matthews	D8/356

D423,913	S *	5/2000	Dougan, Jr.	D8/356
D424,638	S *	5/2000	Urso	D21/662
D459,557	S *	6/2002	Rea	D30/151
D460,344	S *	7/2002	Smith	D8/367
D468,997	S *	1/2003	Chang	D8/356
D488,710	S *	4/2004	Holton	D8/367
7,093,329	B1 *	8/2006	Chiu	24/301
D573,875	S *	7/2008	Anderson	D8/367
D580,257	S *	11/2008	Squyres	D8/349
7,562,856	B2 *	7/2009	Arakawa	248/339
7,785,243	B2 *	8/2010	Kassel	482/122
7,819,787	B2 *	10/2010	Kassel	482/122
D628,461	S *	12/2010	Stein et al.	D8/356
2008/0060872	A1 *	3/2008	Wise	182/3
2010/0101892	A1 *	4/2010	Elders et al.	182/3

* cited by examiner

Primary Examiner — Susan E Krakower

(74) *Attorney, Agent, or Firm* — Dan M. De La Rosa

(57) **CLAIM**

The ornamental design for an exercise and fitness device with extended sleeve, as shown and described.

DESCRIPTION

FIG. 1 is a front perspective view of an exercise and fitness device with extended sleeve of the present invention showing my new design;

FIG. 2 is a front elevational view thereof;

FIG. 3 is a back elevational view thereof;

FIG. 4 is a side elevational view thereof;

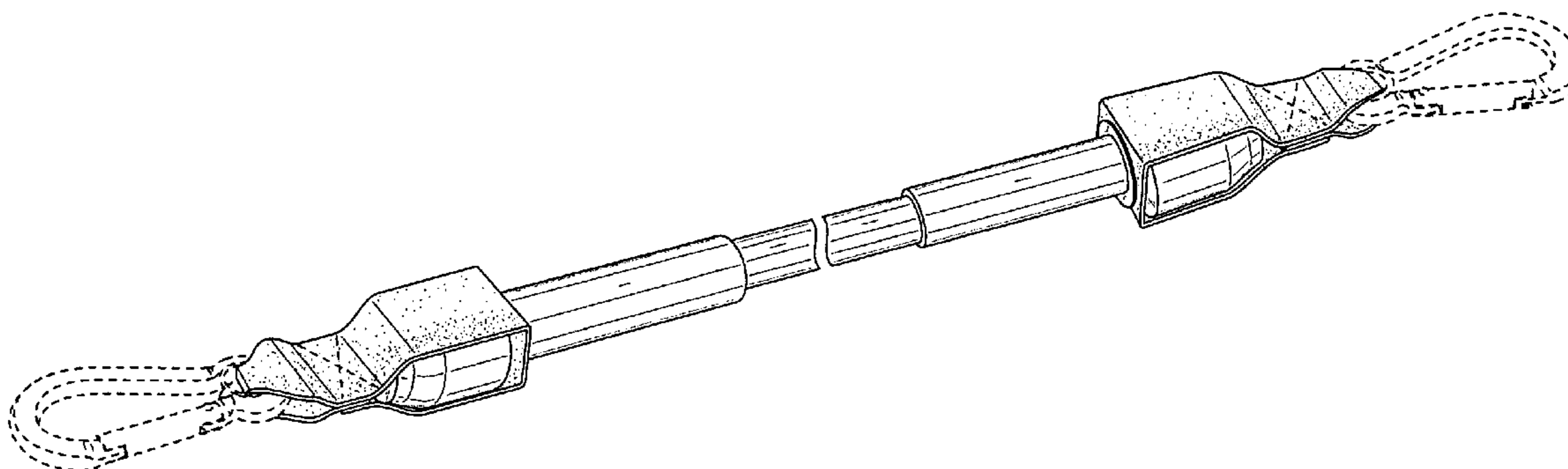
FIG. 5 is an opposite side elevational view thereof;

FIG. 6 is a top plan view thereof; and,

FIG. 7 is a bottom plan view thereof.

The broken lines showing the carabiner and the stitching on the straps illustrate portions of the exercise and fitness device with extended sleeve which form no part of the claimed design.

1 Claim, 4 Drawing Sheets



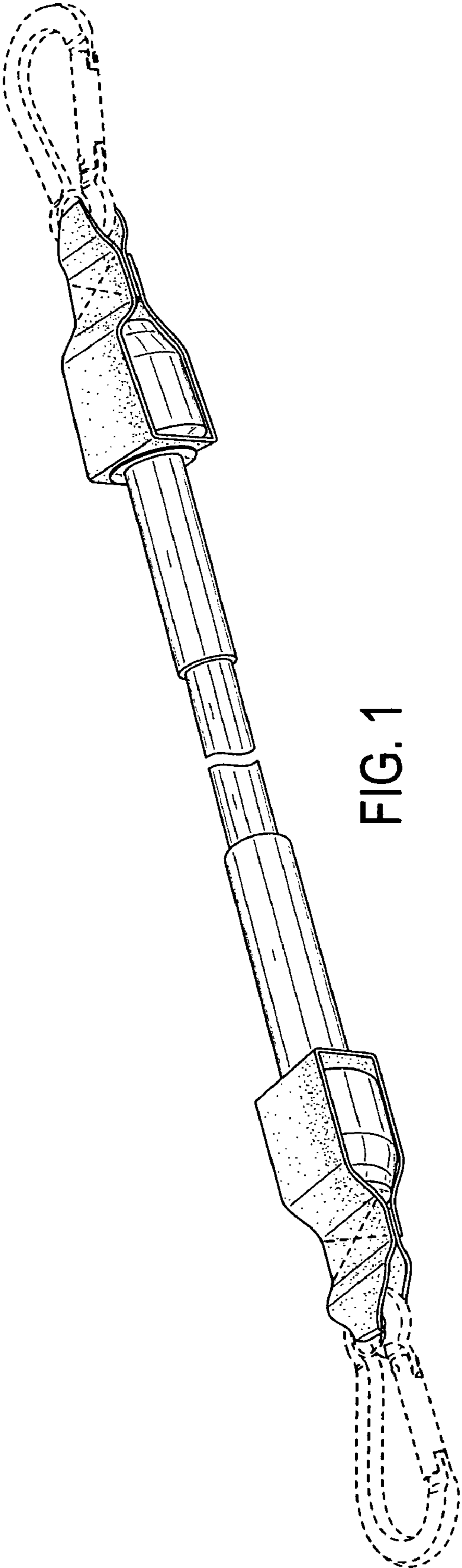


FIG. 1

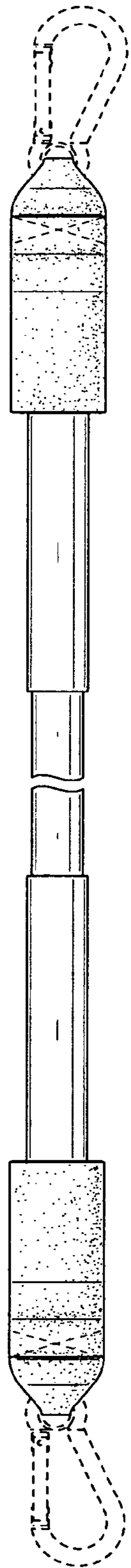


FIG. 2

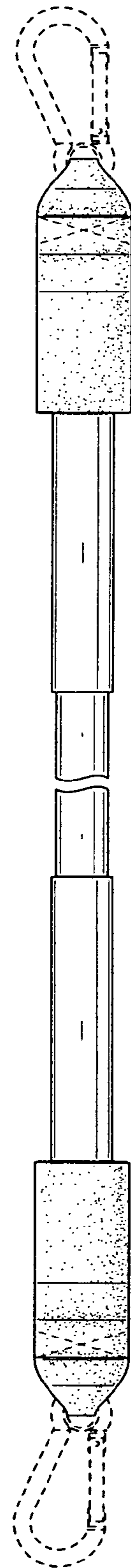


FIG. 3

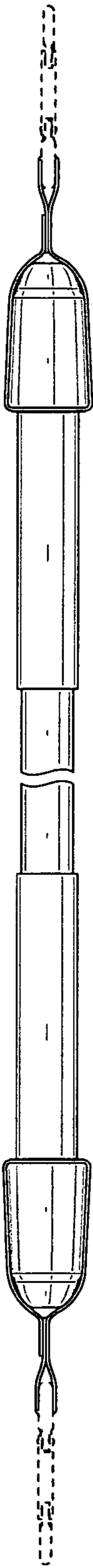


FIG. 4

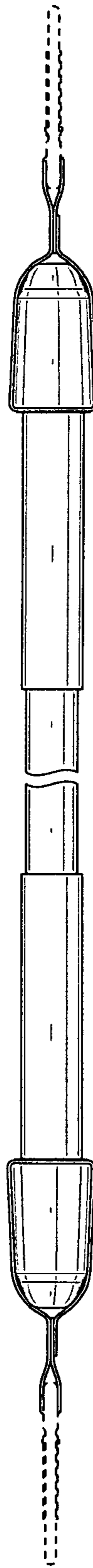


FIG. 5

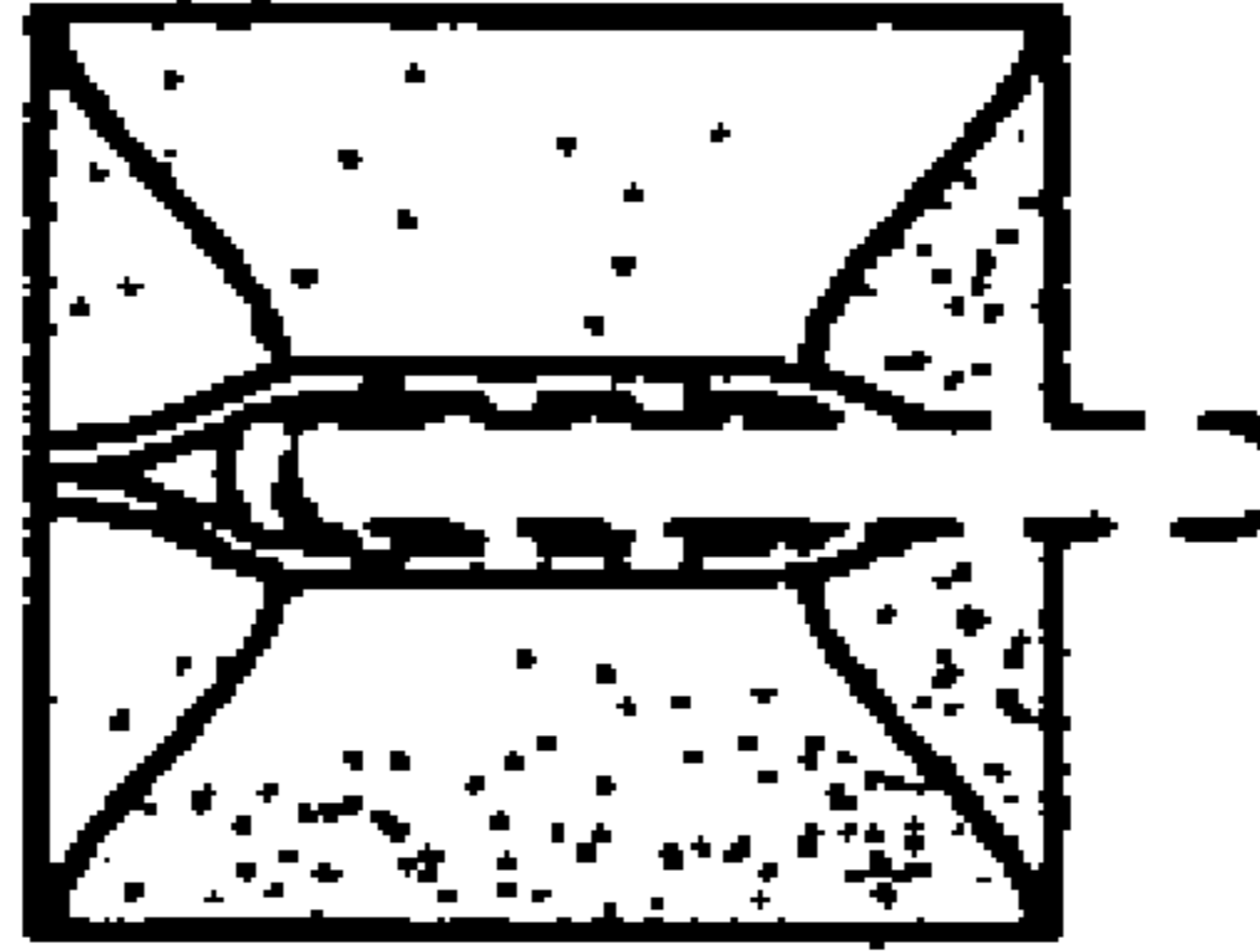


FIG. 6

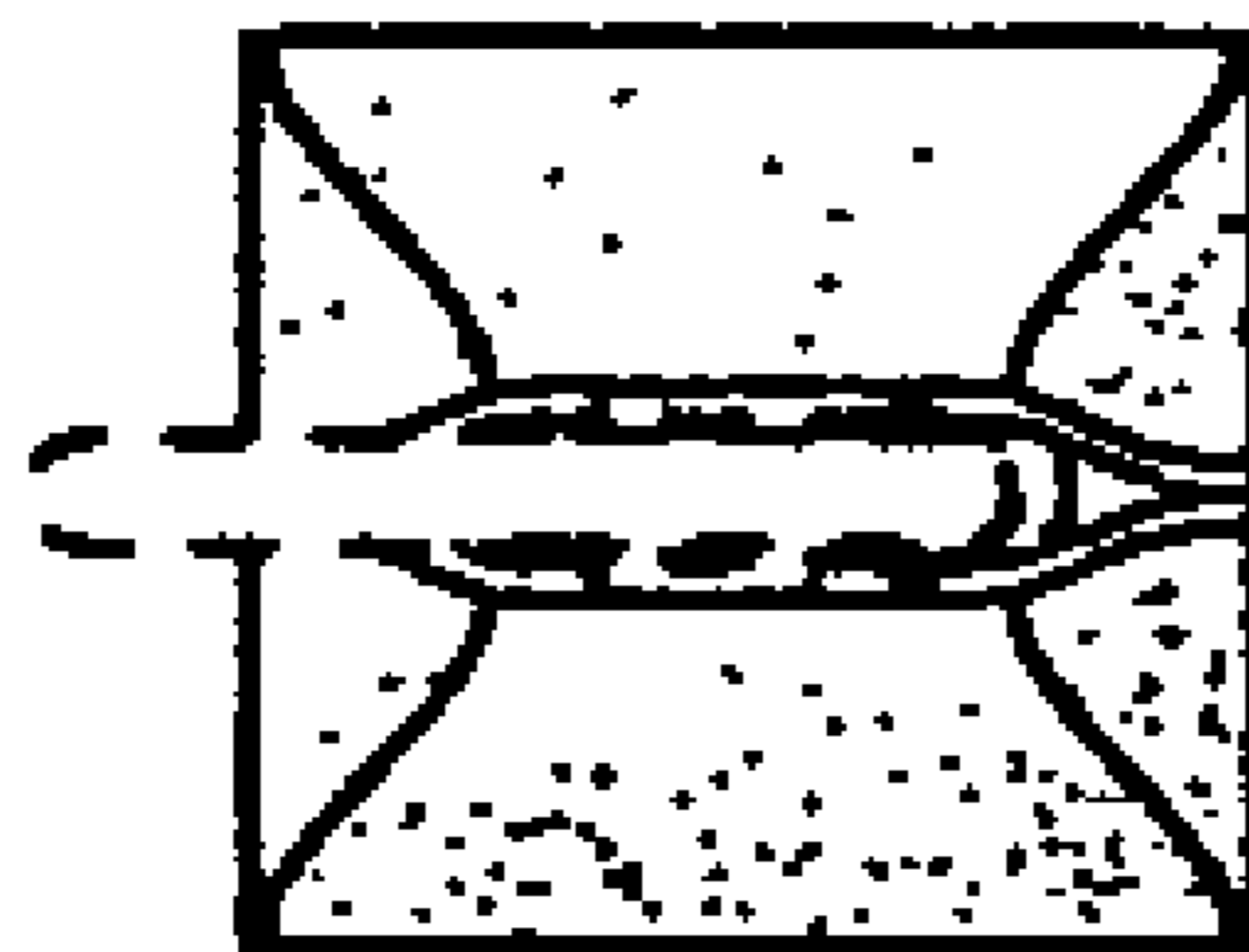


FIG. 7