



US00D644699S

(12) **United States Design Patent**
Mimlitch, III et al.

(10) **Patent No.:** **US D644,699 S**

(45) **Date of Patent:** **** Sep. 6, 2011**

(54) **TOY TRACK CONNECTOR**

(75) Inventors: **Robert H. Mimlitch, III**, Rowlett, TX (US); **David Anthony Norman**, Greenville, TX (US); **Douglas Michael Galletti**, Allen, TX (US); **Joel Reagan Carter**, Argyle, TX (US); **Paul David Copioli**, Greenville, TX (US)

(73) Assignee: **Innovation First, Inc.**, Greenville, TX (US)

(**) Term: **14 Years**

(21) Appl. No.: **29/375,635**

(22) Filed: **Sep. 24, 2010**

(51) **LOC (9) Cl.** **21-01**

(52) **U.S. Cl.** **D21/565**

(58) **Field of Classification Search** D21/484,
D21/490, 493, 564, 565; 446/168-174, 84,
446/89, 108, 112, 114, 116, 124-128, 429,
446/444-447; 463/58-69; 238/10 R, 10 A-10 C,
238/10 E, 10 F; 104/60, 69

See application file for complete search history.

(56) **References Cited**

U.S. PATENT DOCUMENTS

D250,056 S * 10/1978 Heim D21/565
4,179,066 A * 12/1979 Teter 238/10 E
4,544,094 A * 10/1985 Scholey 238/10 R
D297,851 S * 9/1988 Schroll D21/565

4,953,785 A * 9/1990 Keska 238/10 A
5,405,080 A * 4/1995 Yeung et al. 238/10 F
5,826,835 A * 10/1998 Wilson et al. 246/415 A
6,299,072 B1 * 10/2001 Burns 238/10 F
6,746,298 B1 * 6/2004 Doepner et al. 446/126
6,883,719 B2 * 4/2005 Pyrce 238/10 B
2004/0084545 A1 * 5/2004 Pyrce 238/10 A
2005/0173551 A1 * 8/2005 Lin 238/10 E
2005/0247800 A1 * 11/2005 Pyrce 238/10 R

* cited by examiner

Primary Examiner — Cynthia M Chin

(74) *Attorney, Agent, or Firm* — Fish & Richardson P.C.

(57) **CLAIM**

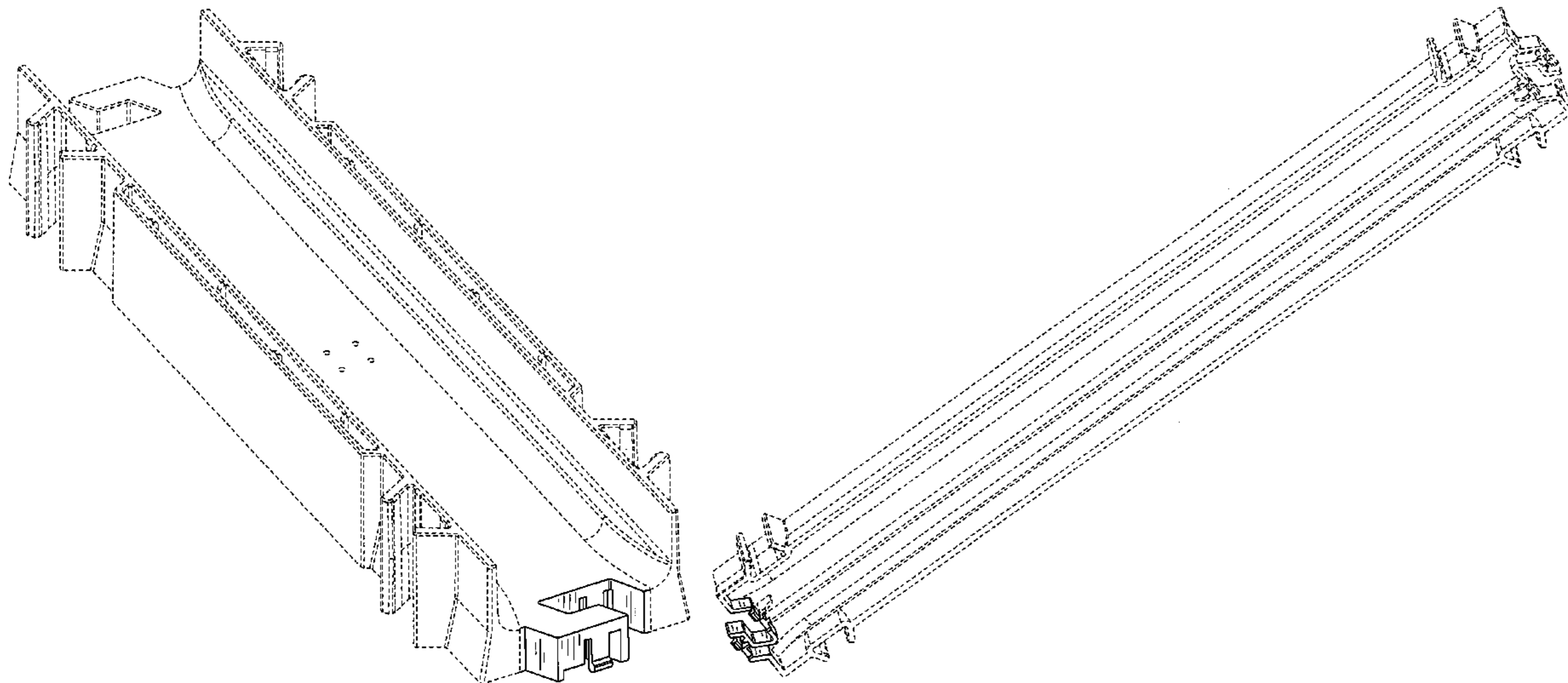
The ornamental design for a toy track connector, as shown and described.

DESCRIPTION

FIG. 1 is a first perspective view of a toy track connector showing the top, front, and left sides of our new design; FIG. 2 is a second perspective view showing the top, front, and right sides thereof; FIG. 3 is a top plan view thereof; FIG. 4 is a front side view thereof; FIG. 5 is a bottom plan view thereof; FIG. 6 is a third perspective view showing the bottom, front, and left sides thereof; and, FIG. 7 is a fourth perspective view showing the bottom, rear, and right sides thereof.

The broken lines are for environmental purposes only and form no part of the claimed design.

1 Claim, 6 Drawing Sheets



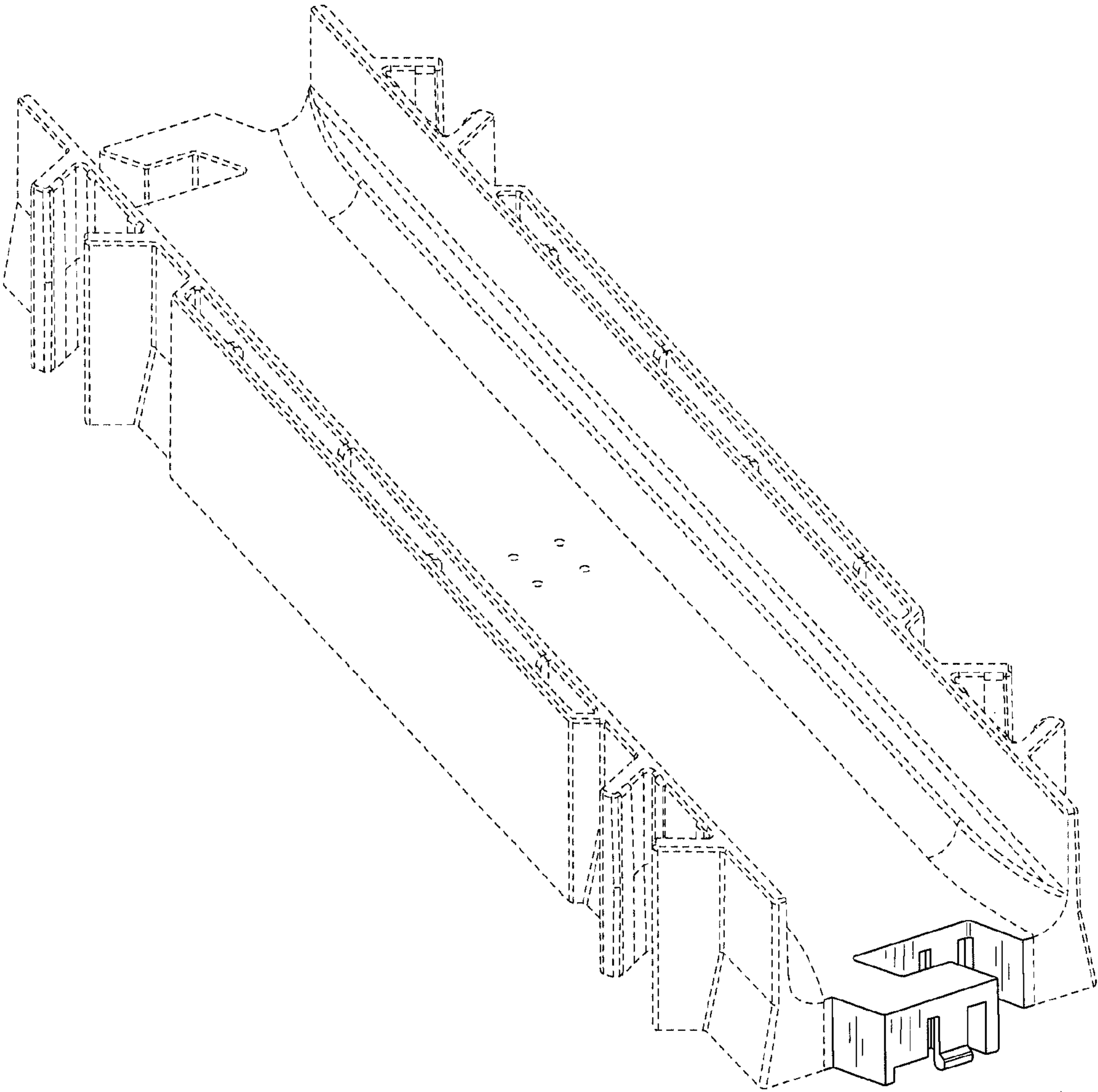


FIG. 1

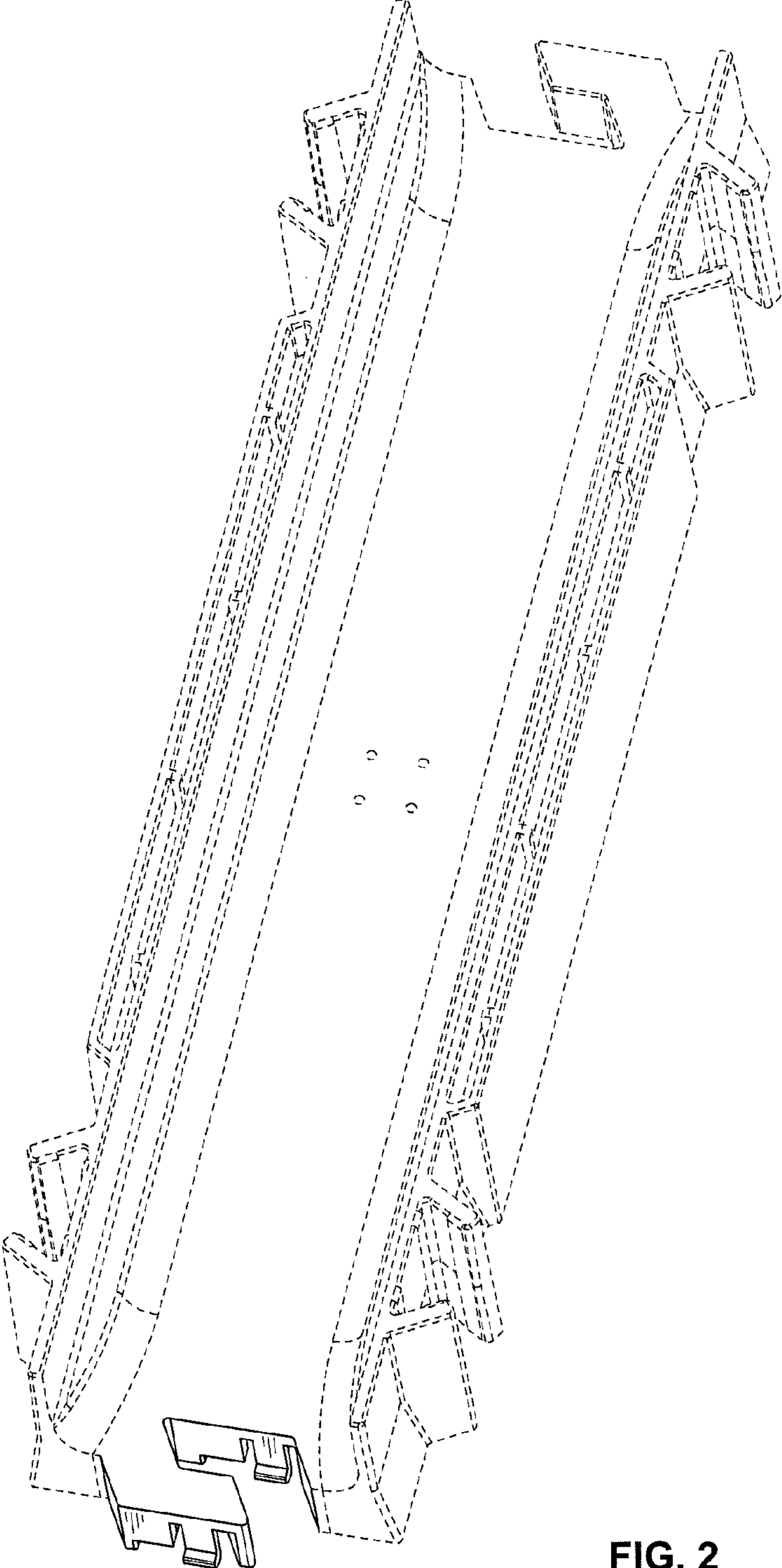


FIG. 2

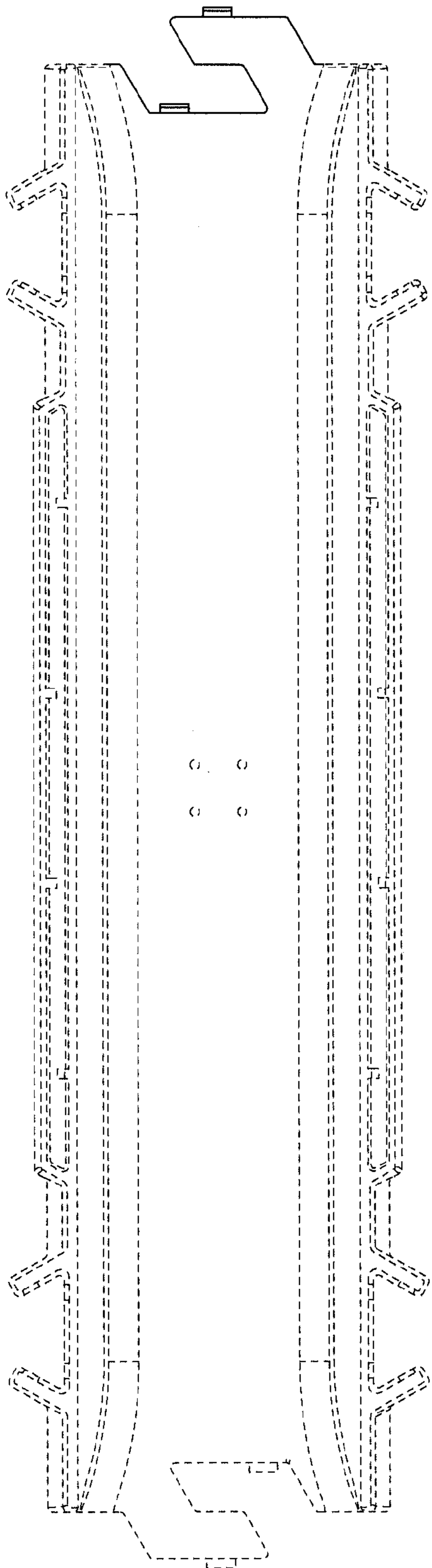


FIG. 3

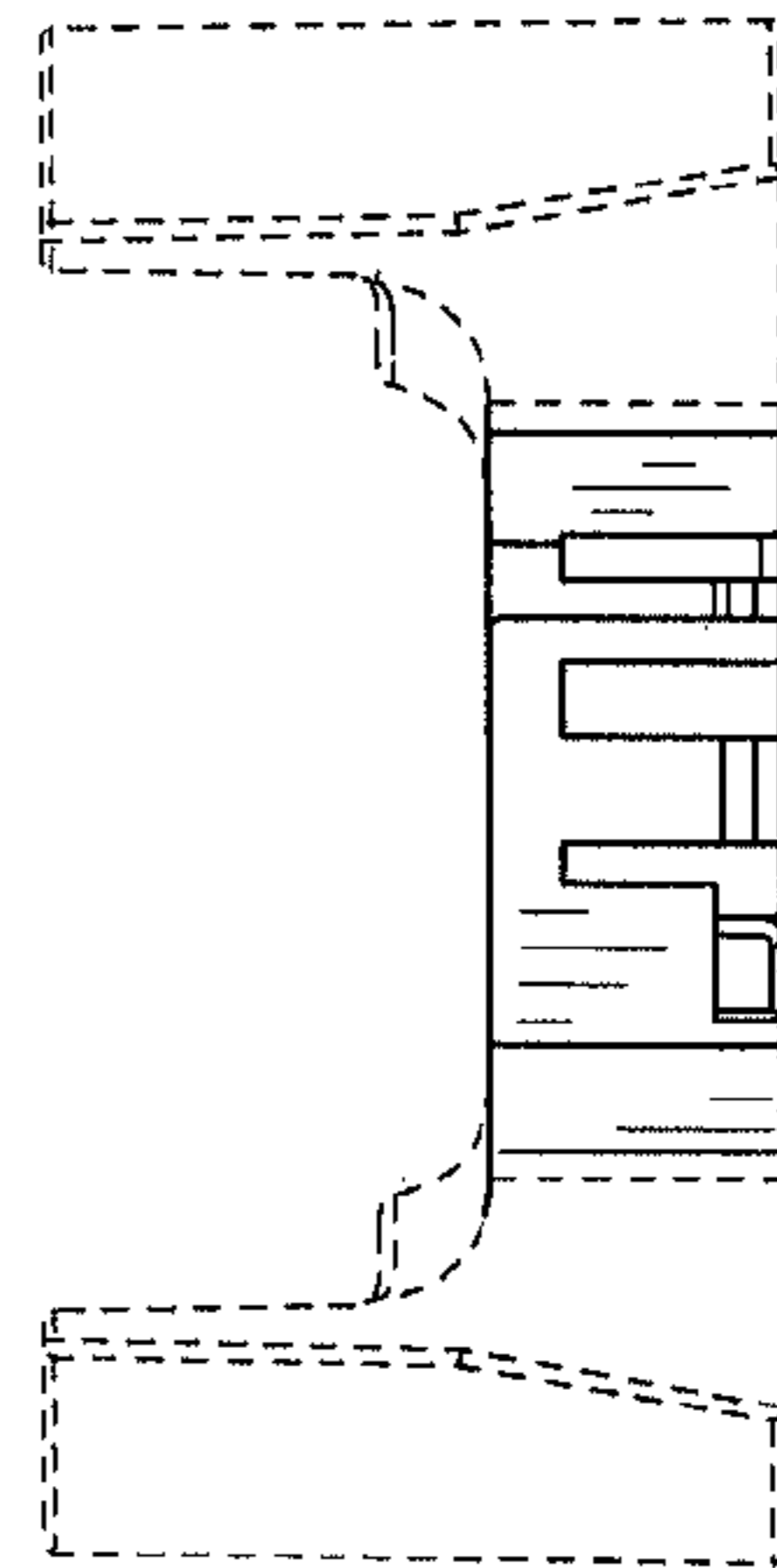


FIG. 4

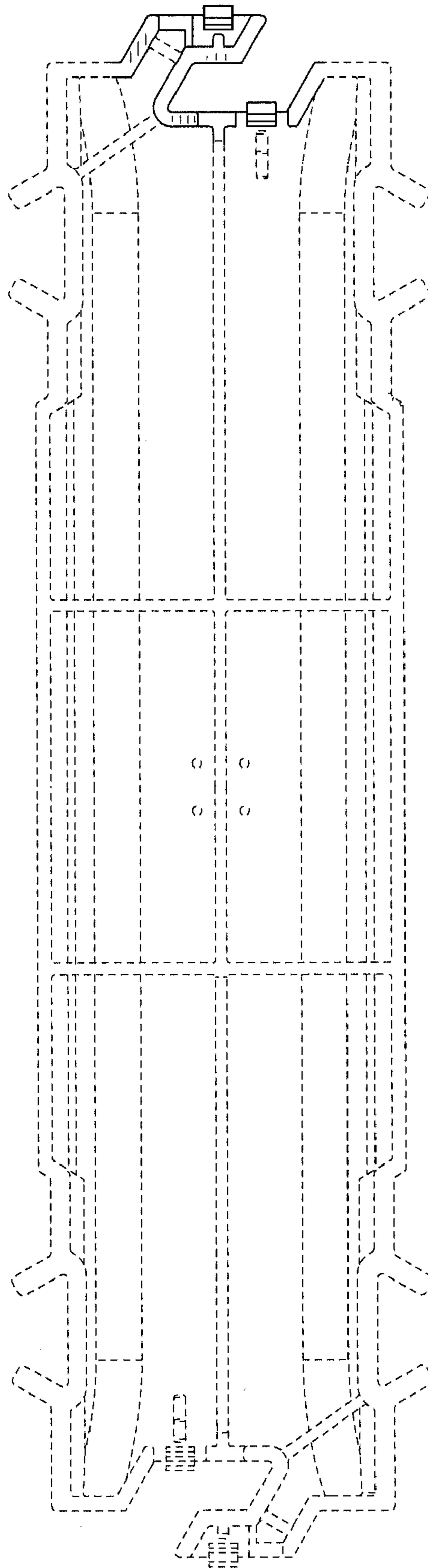


FIG. 5

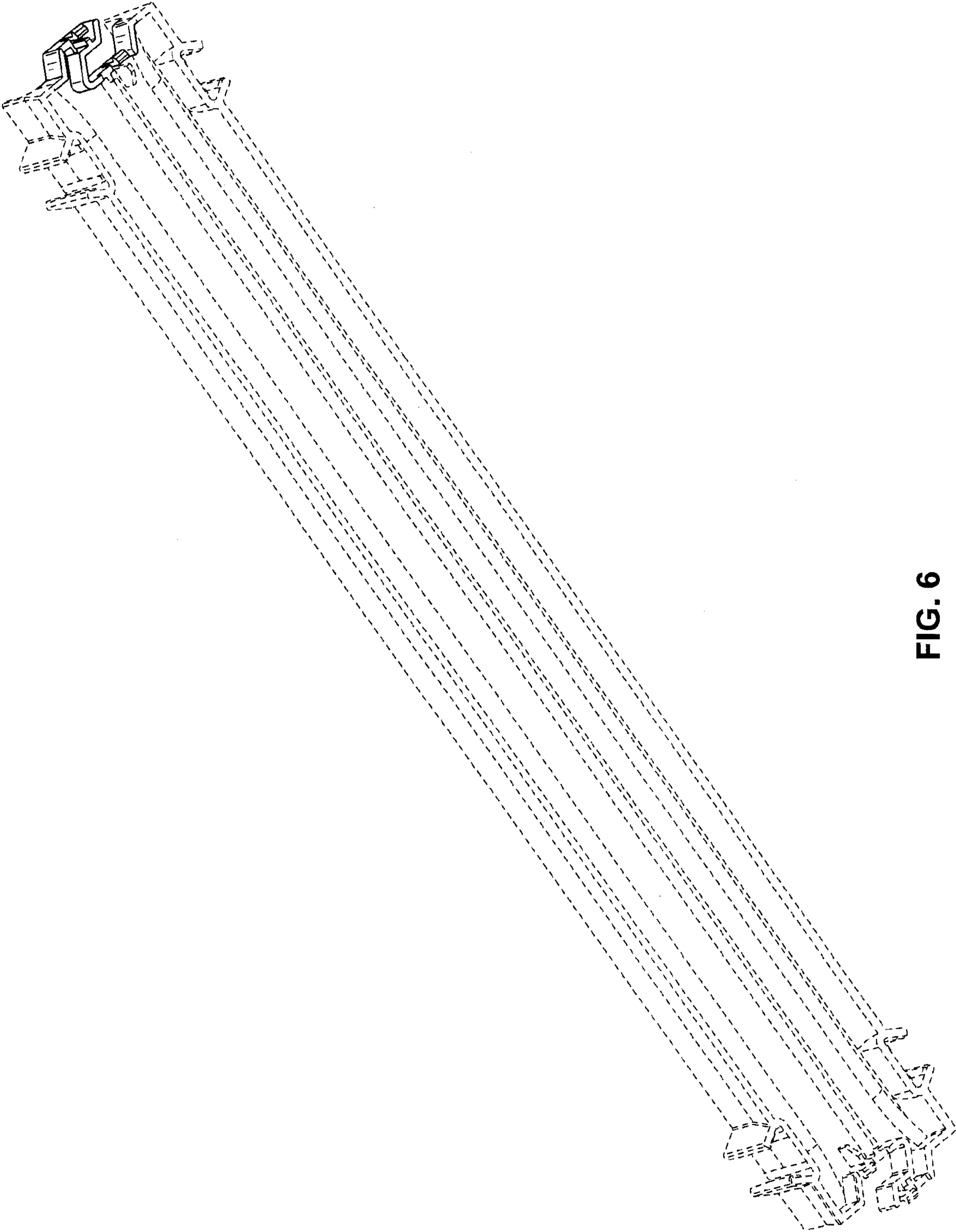


FIG. 6

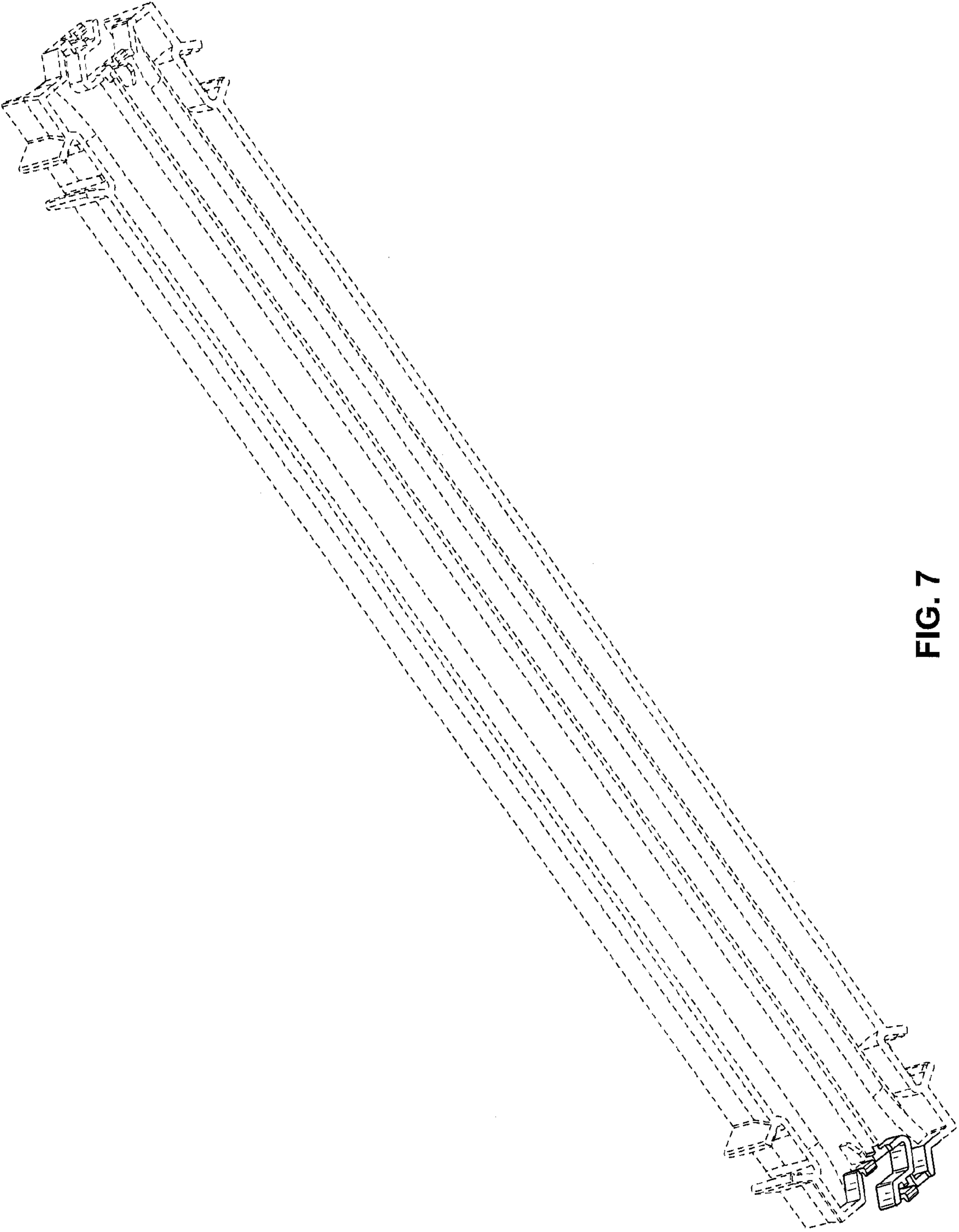


FIG. 7